



US00D37777S

United States Patent [19]
Kheyfets

[11] **Patent Number:** **Des. 377,777**
[45] **Date of Patent:** ****Feb. 4, 1997**

[54] **LICENSE PLATE FRAME**

[75] **Inventor:** **Linda Kheyfets, Miami Beach, Fla.**

[73] **Assignee:** **Rally Accessories, Inc., Miami, Fla.**

[**] **Term:** **14 Years**

[21] **Appl. No.:** **50,908**

[22] **Filed:** **Feb. 29, 1996**

[52] **U.S. Cl. D12/193**

[58] **Field of Search D12/193; D6/300, D6/303, 310, 311, 313; D11/99, 133; D20/35; 40/200, 209, 210**

[56] **References Cited**

U.S. PATENT DOCUMENTS

- D. 359,261 6/1995 Shusterman D12/193
- D. 367,459 2/1996 Spencer D12/193

Primary Examiner—Freda Nunn
Attorney, Agent, or Firm—Longacre & White

[57] **CLAIM**

The ornamental design for a license plate frame, as shown.

DESCRIPTION

FIG. 1 is a front view of a license plate frame according to the present invention;

FIG. 2 is a bottom view of a license plate frame according to the present invention;

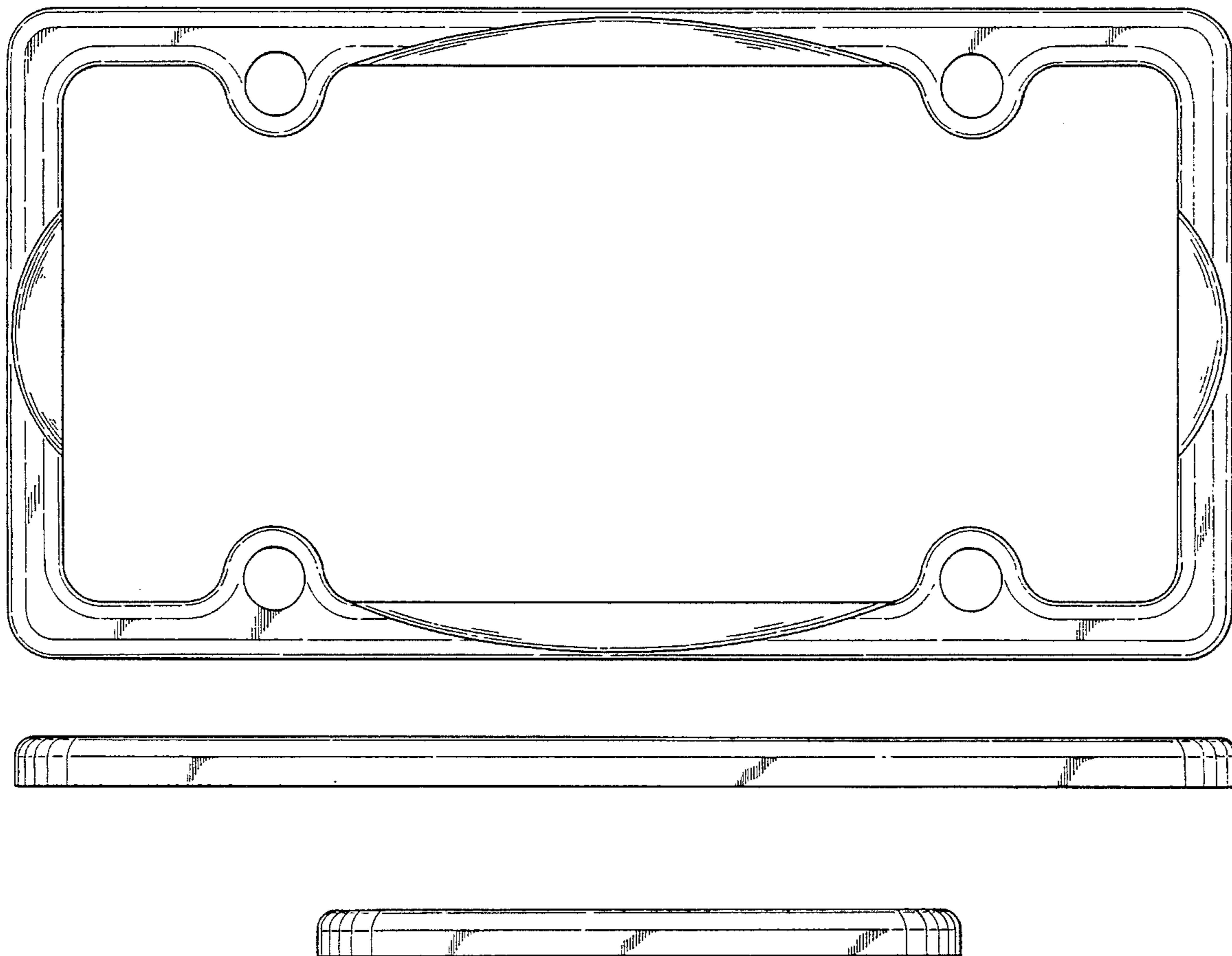
FIG. 3 is a top view of a license plate frame according to the present invention;

FIG. 4 is a left side view of a license plate frame according to the present invention;

FIG. 5 is a right side view of a license plate frame according to the present invention; and,

FIG. 6 is a rear view of a license plate frame according to the present invention.

1 Claim, 2 Drawing Sheets



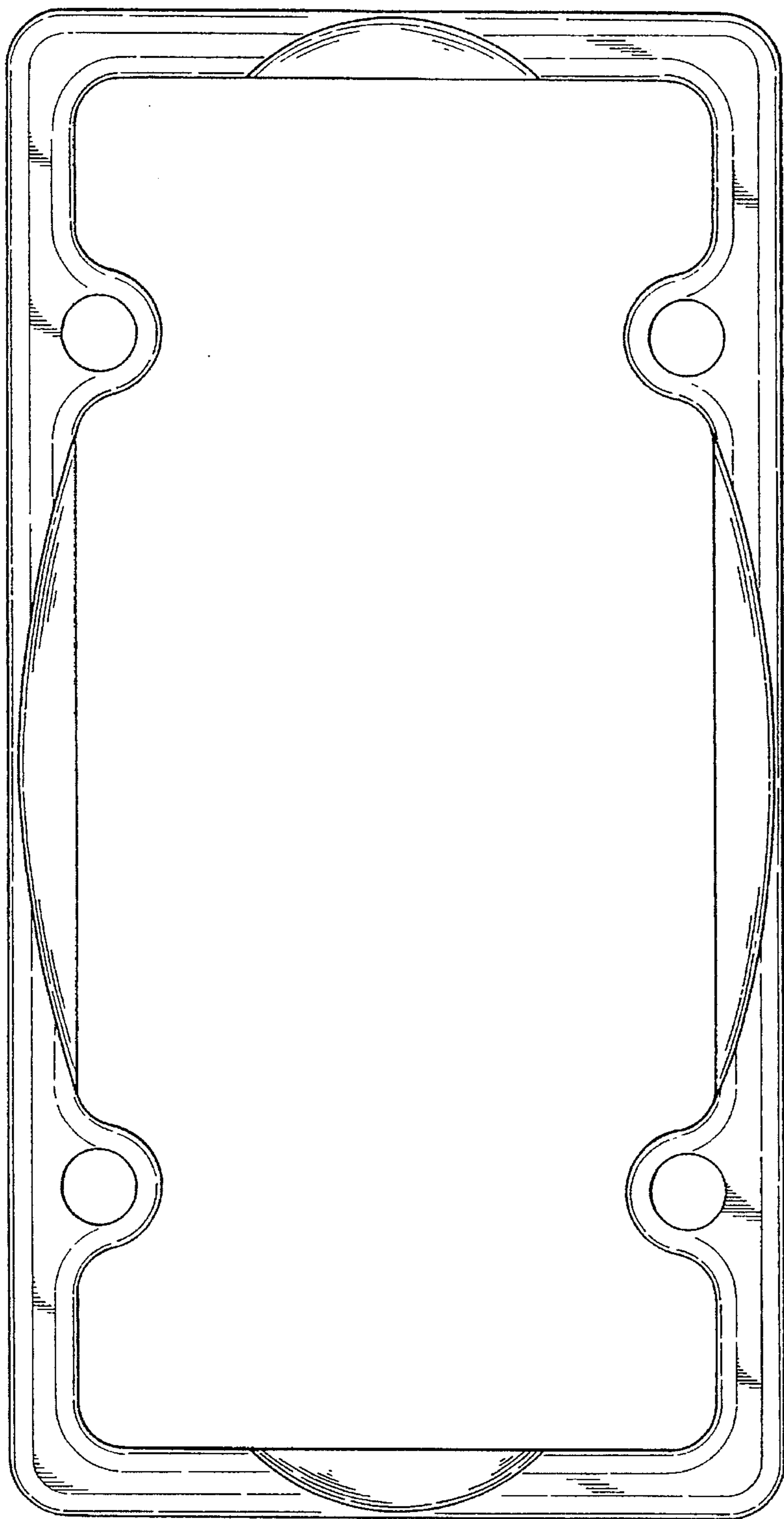


FIG. 1



FIG. 2



FIG. 3



FIG. 4



FIG. 5

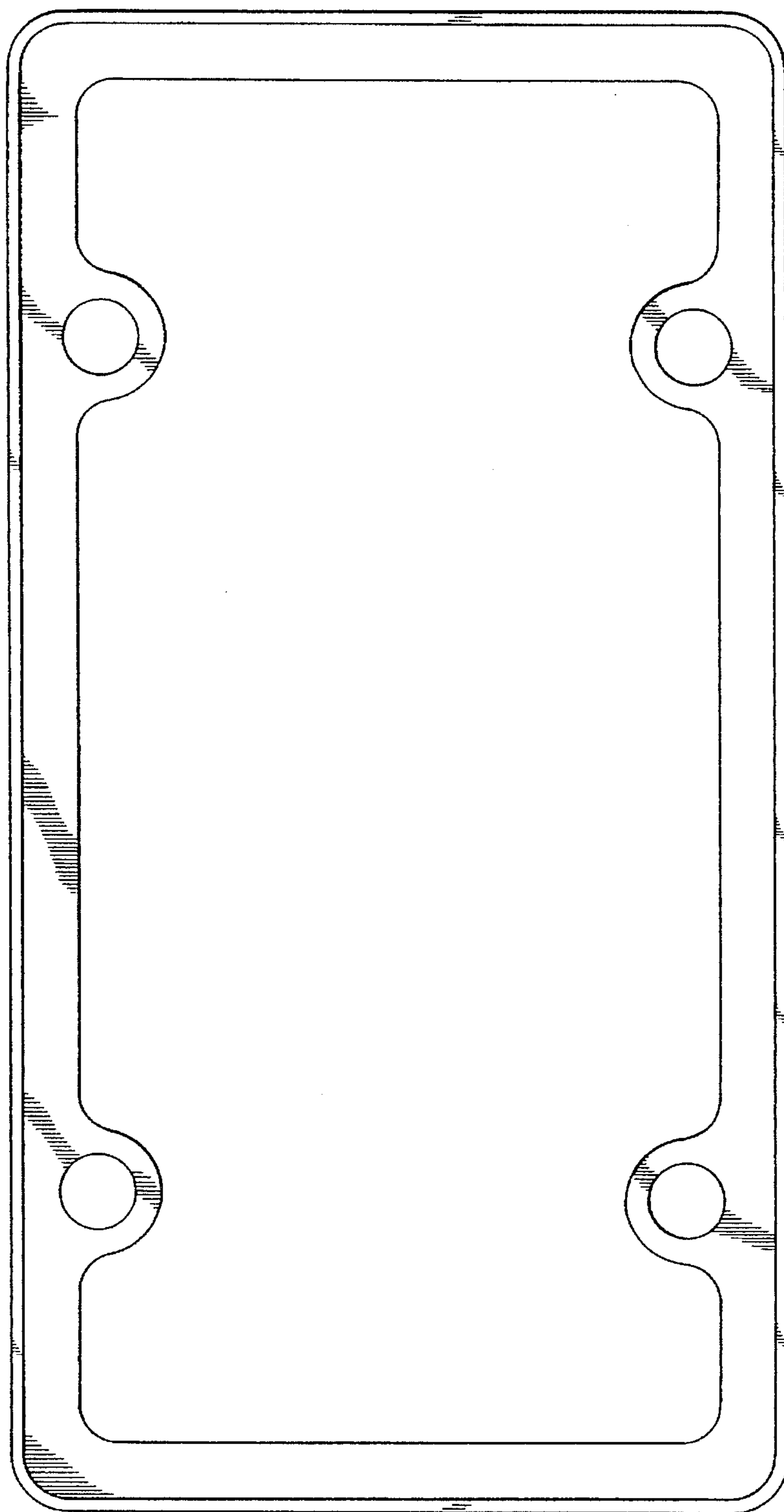


FIG. 6