



US00D377773S

United States Patent [19]

Sloss

[11] Patent Number: Des. 377,773

[45] Date of Patent: **Feb. 4, 1997

[54] CHILD'S RIDING CYCLE

[75] Inventor: Christopher W. Sloss, Olney, Ill.

[73] Assignee: Roadmaster Corporation, Olney, Ill.

[**] Term: 14 Years

[21] Appl. No.: 35,039

[22] Filed: Feb. 17, 1995

[52] U.S. Cl. D12/111; D21/81

[58] Field of Search D12/110, 111,
D12/112, 113; D21/71, 81, 76, 80; 280/259,
267, 282, 281.1, 87.01, 87.03, 87.021

5,133,569 7/1992 Rieber et al. 280/293

OTHER PUBLICATIONS

Famoplay taken from catalog, publication date prior to Nov. 10, 1993.

Sport Cycle, p. 22 from little tikes catalog, 1991.

Primary Examiner—Melody N. Brown
Attorney, Agent, or Firm—Craig A. Summerfield; Brinks Hofer Gilson & Lione

[57] CLAIM

The ornamental design for a child's riding cycle, as shown and described.

DESCRIPTION

FIG. 1 is a right, front perspective view of a riding child's cycle showing my new design;

FIG. 2 is a right side elevational view thereof;

FIG. 3 is a left side elevational view thereof;

FIG. 4 is a front elevational view thereof;

FIG. 5 is a rear elevational view thereof;

FIG. 6 is a top plan view thereof;

FIG. 7 is a bottom plan view thereof;

FIG. 8 is a right, front perspective view of a child's riding cycle showing my new design, without training wheels;

FIG. 9 is a right side elevational view thereof, without training wheels;

FIG. 10 is a left side elevational view thereof, without training wheels;

FIG. 11 is a front elevational view thereof, without training wheels;

FIG. 12 is a rear elevational view thereof, without training wheels;

FIG. 13 is a top plan view thereof, without training wheels; and,

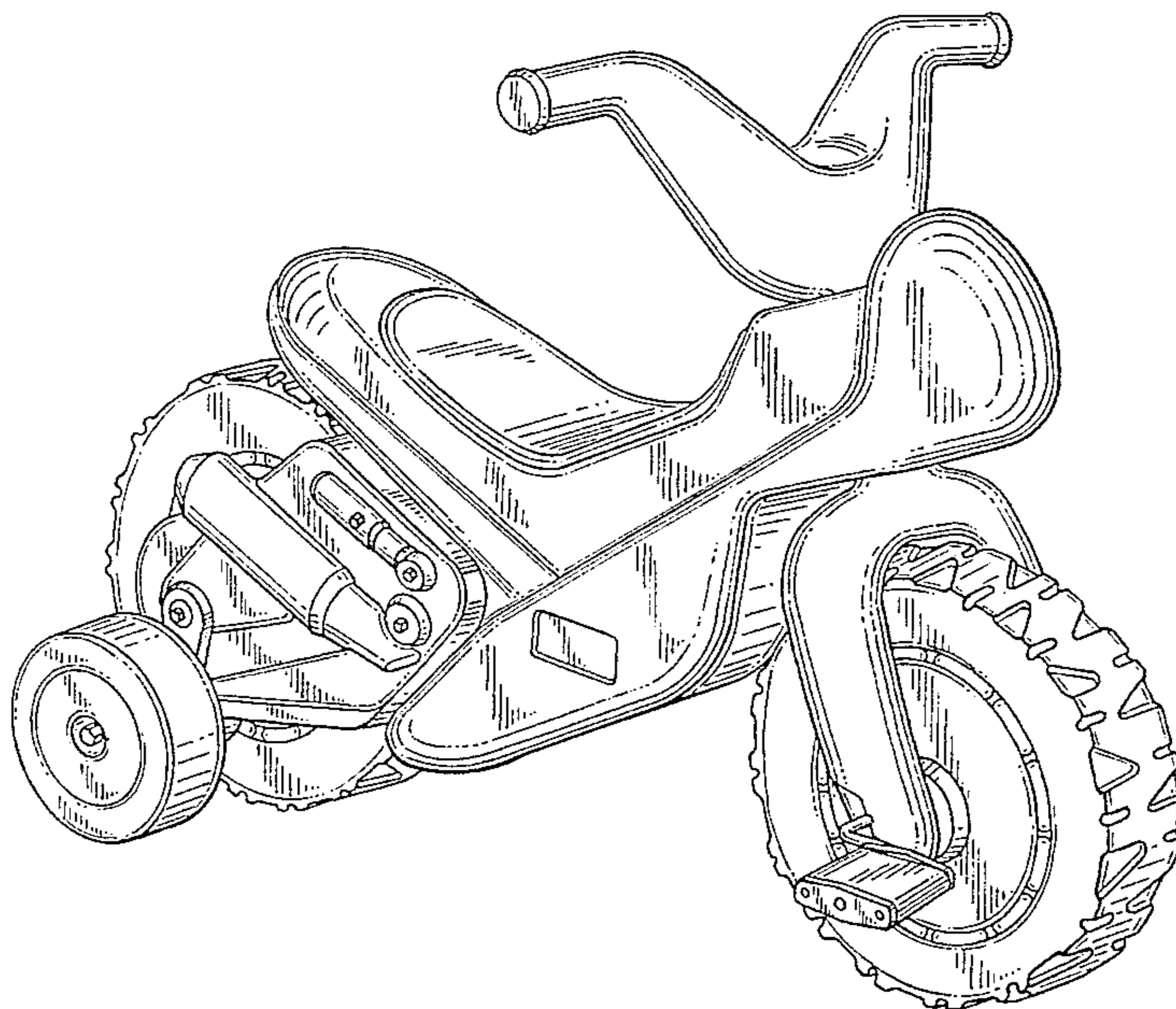
FIG. 14 is a bottom plan view thereof, without training wheels.

[56] References Cited

U.S. PATENT DOCUMENTS

D. 166,693	5/1952	Lines	D12/111
D. 170,616	11/1953	Sebel	D12/111
D. 219,608	12/1970	Carver et al.	280/282
D. 231,004	3/1974	Brightbill	D12/112
D. 247,028	1/1978	Nakao et al.	D12/112
D. 268,772	4/1983	Hanzawa	D21/81
D. 271,594	11/1983	Mercurio et al.	D12/112
D. 276,251	11/1984	Wakimura	D12/81
D. 277,771	2/1985	Takeuchi	D12/81
D. 280,087	8/1985	Wing-Fong	D12/112
D. 285,947	9/1986	Blumenthal	D21/76
D. 289,272	4/1987	Phinney	D12/112
D. 292,009	9/1987	Harrod	D21/76
D. 296,774	7/1988	Armstrong	D12/112
D. 300,619	4/1989	Phinney et al.	D12/112
D. 307,610	5/1990	Harrod	D12/80
D. 326,247	5/1992	Hess	D12/111
D. 337,973	8/1993	Mariol	D12/112
D. 343,810	2/1994	Sanborn	D12/112
D. 344,299	2/1994	Gault	D21/76
D. 345,948	4/1994	Chen	D12/112
D. 351,125	10/1994	Chen	D12/112
D. 369,331	4/1996	Niemeyer	D12/112
3,352,570	11/1967	Cordrey	280/282
4,739,851	4/1988	Perego	180/65.1

1 Claim, 12 Drawing Sheets



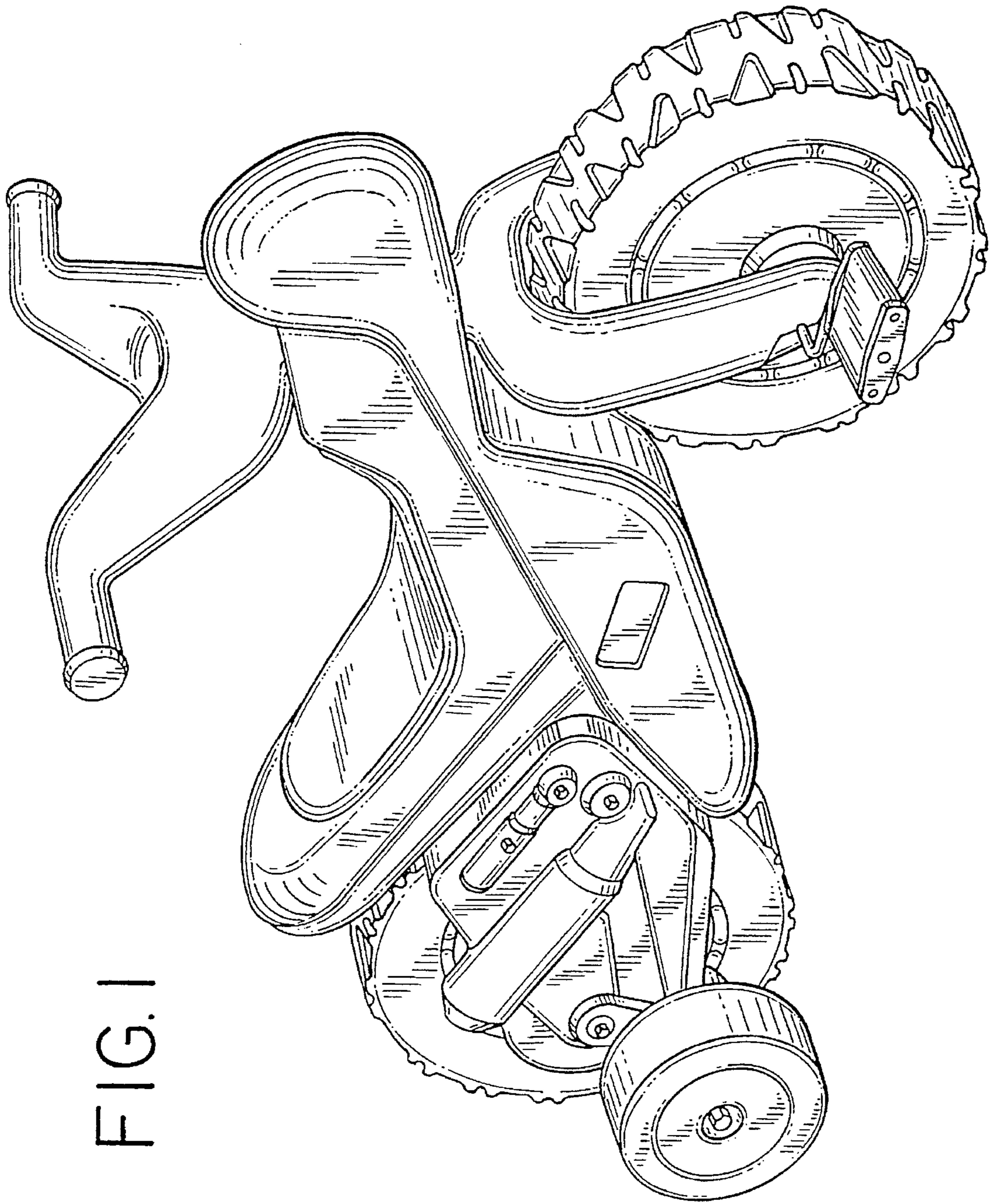


FIG. 1

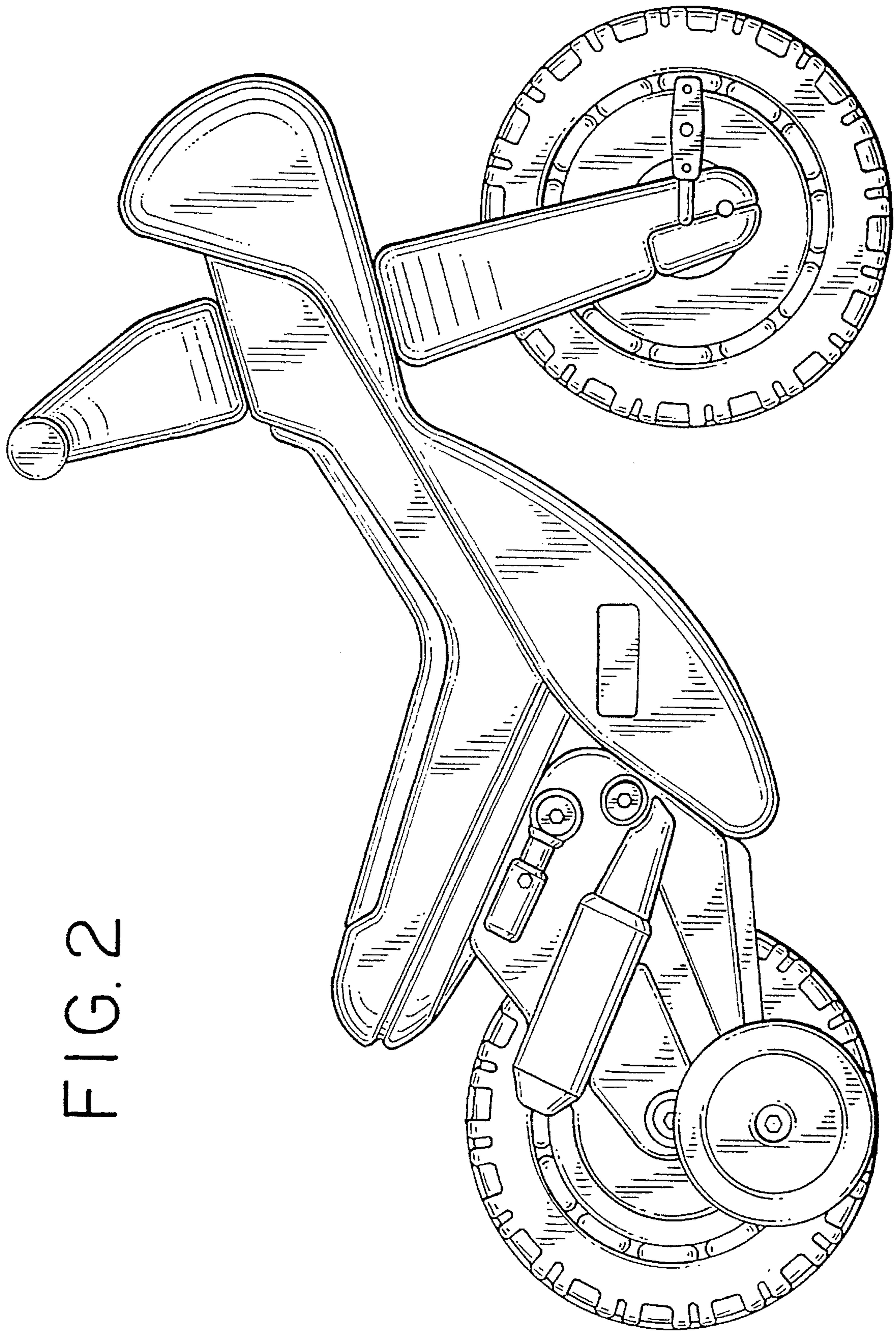


FIG. 2

FIG. 3

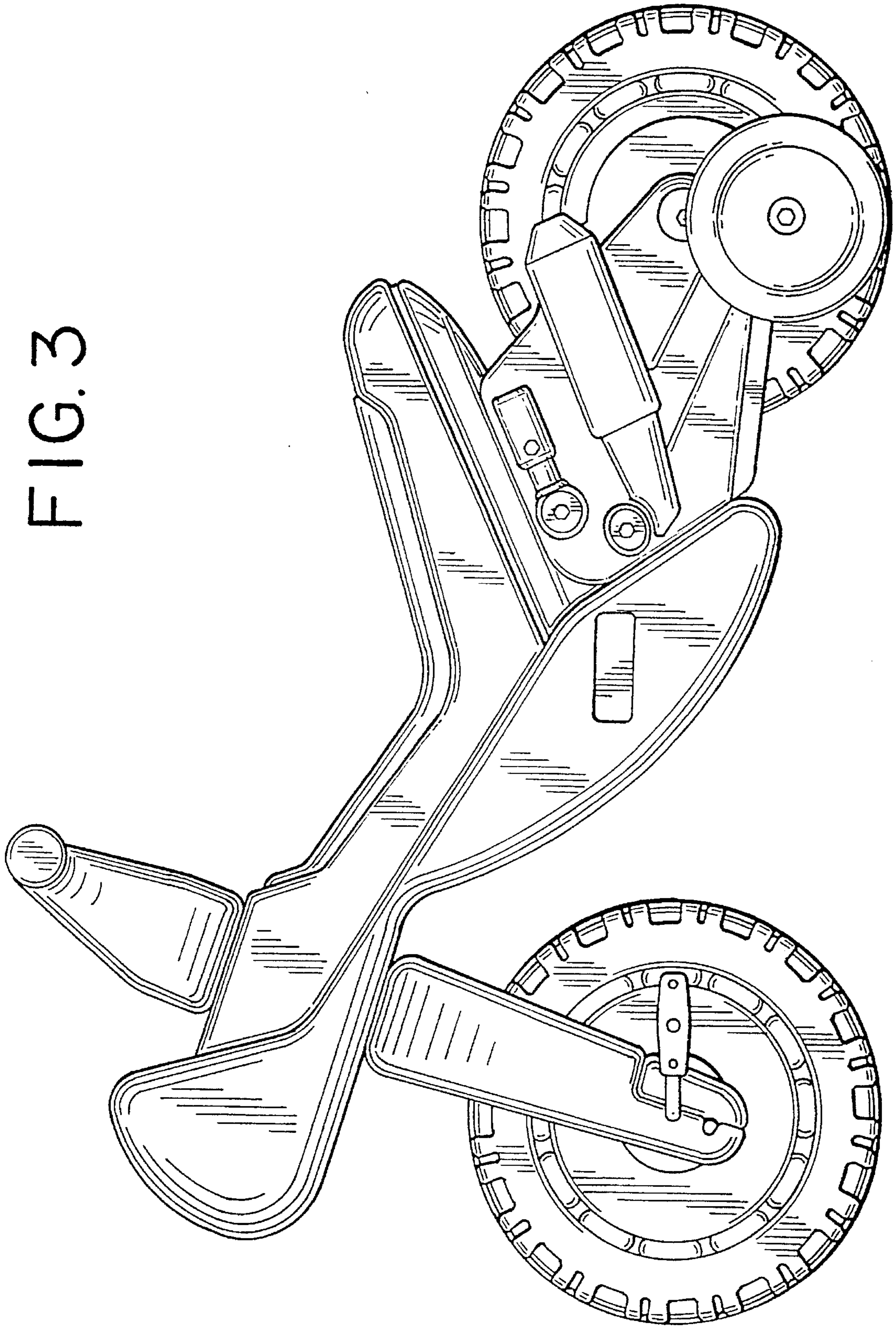


FIG. 5

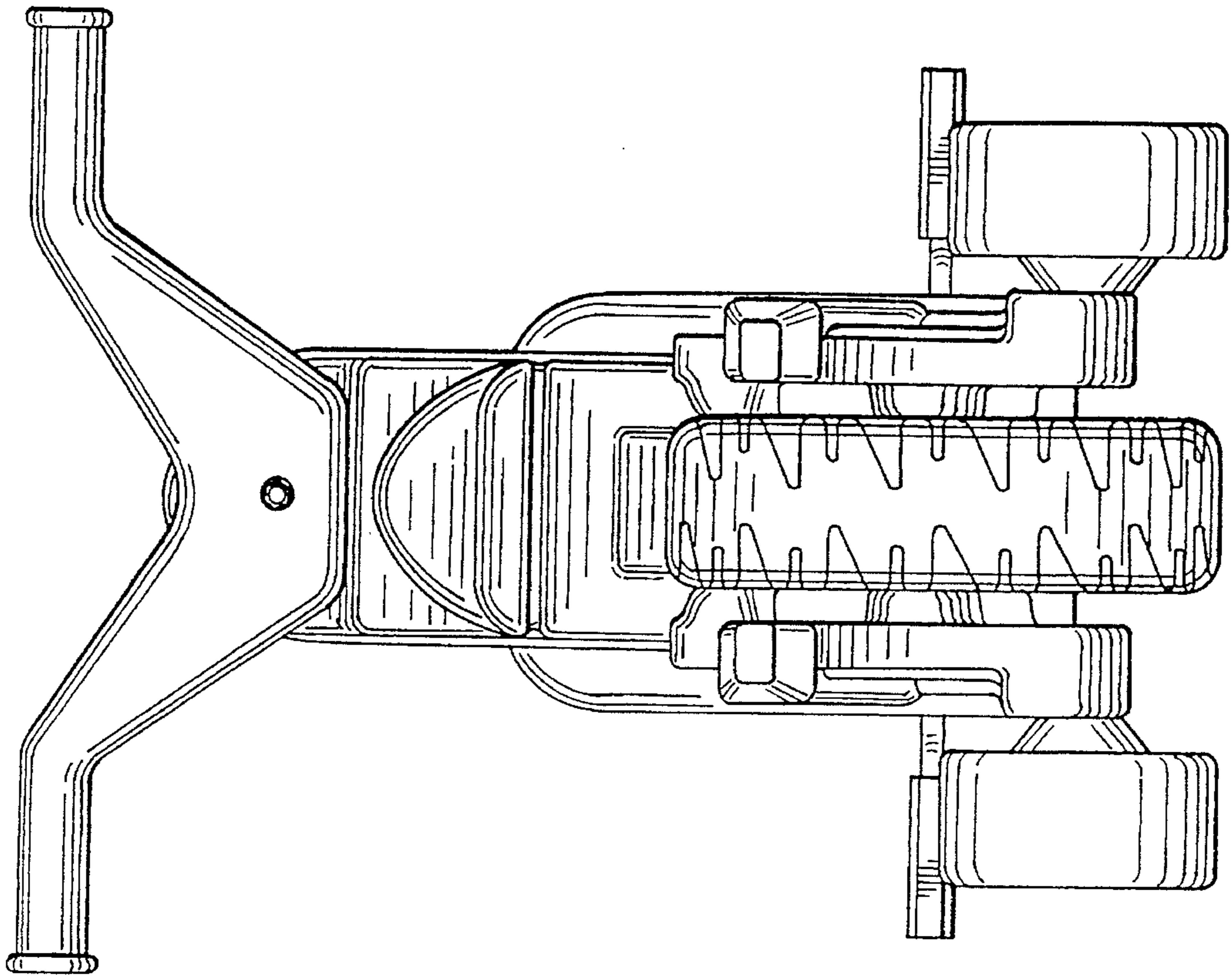
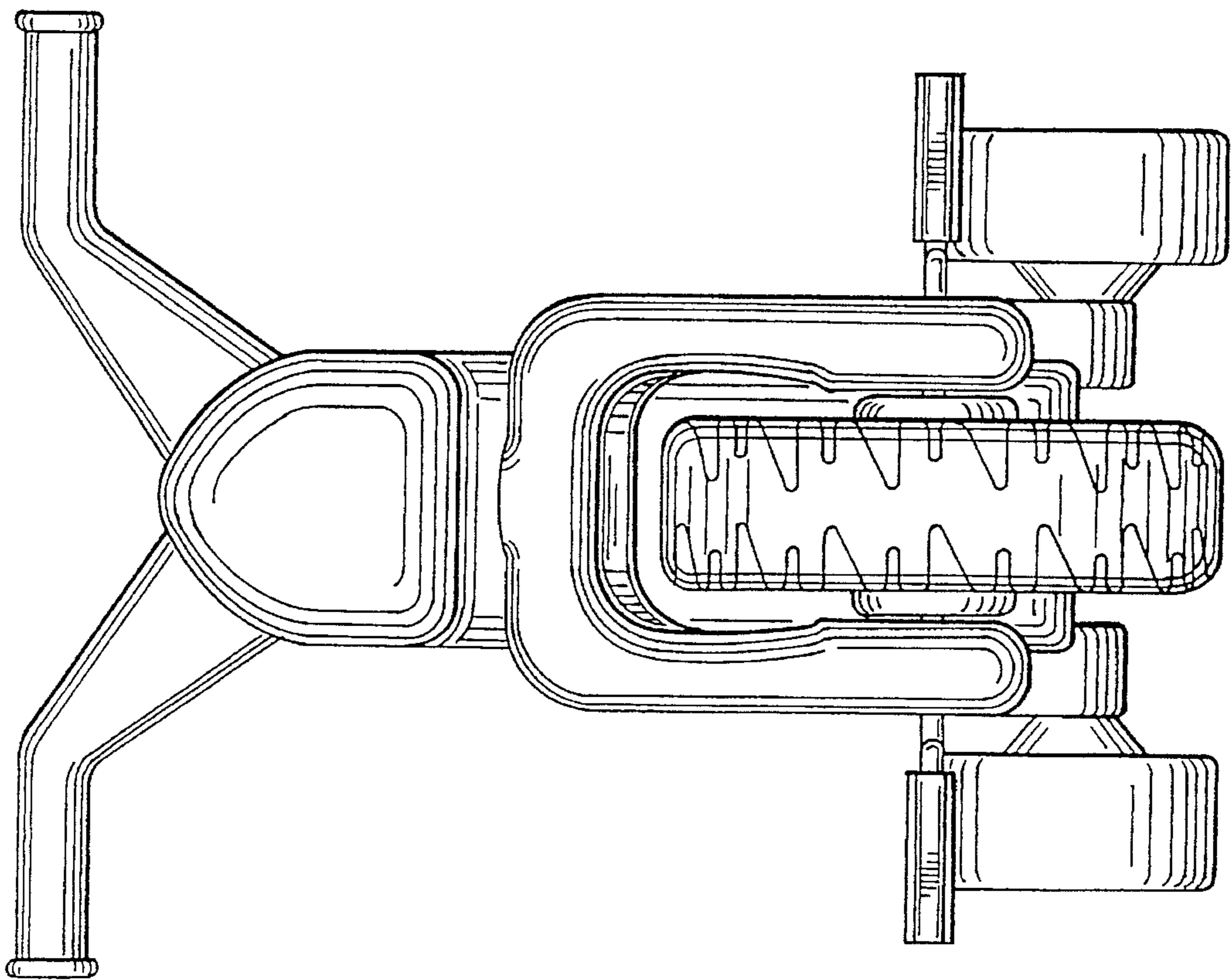


FIG. 4



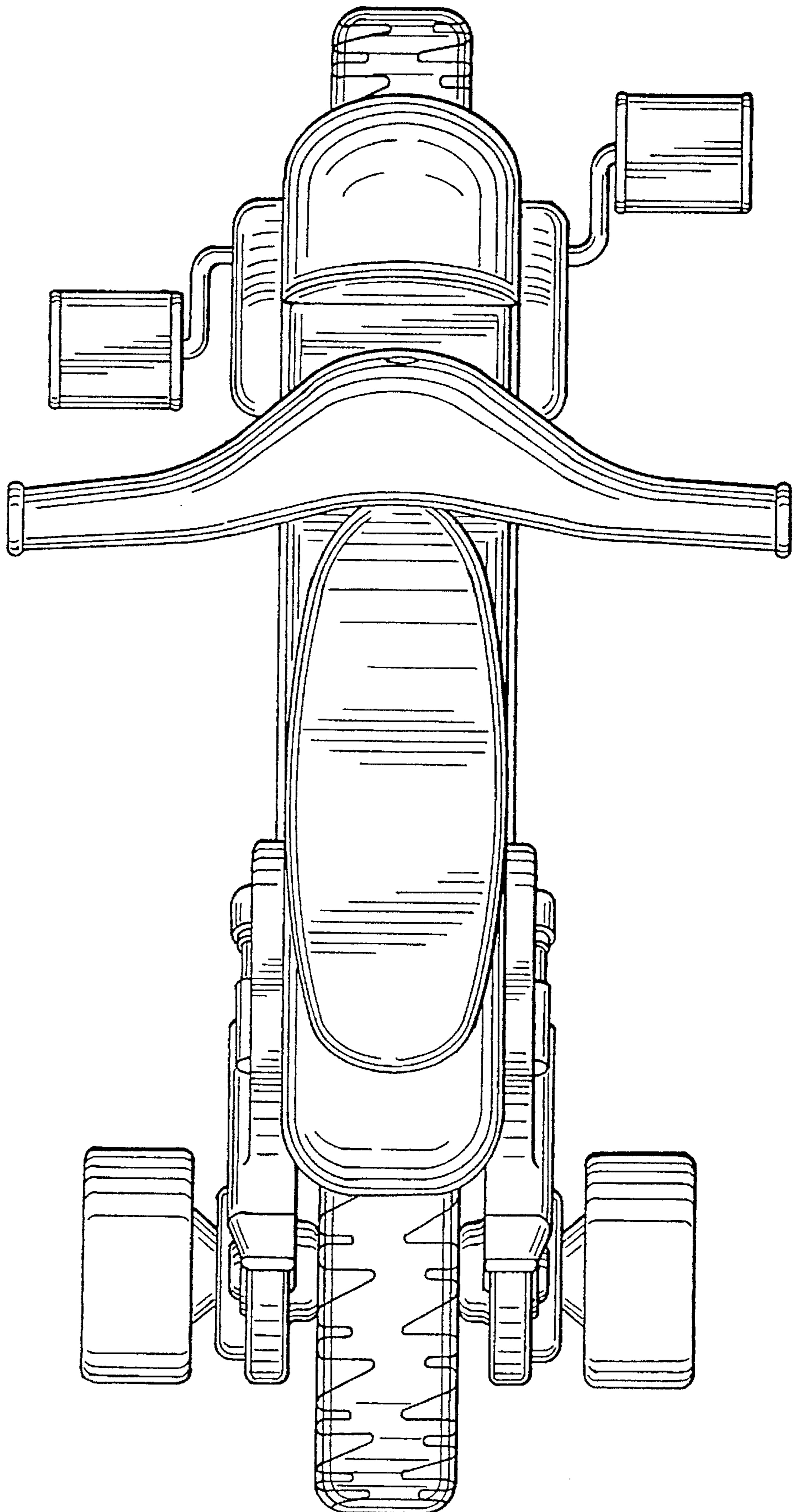
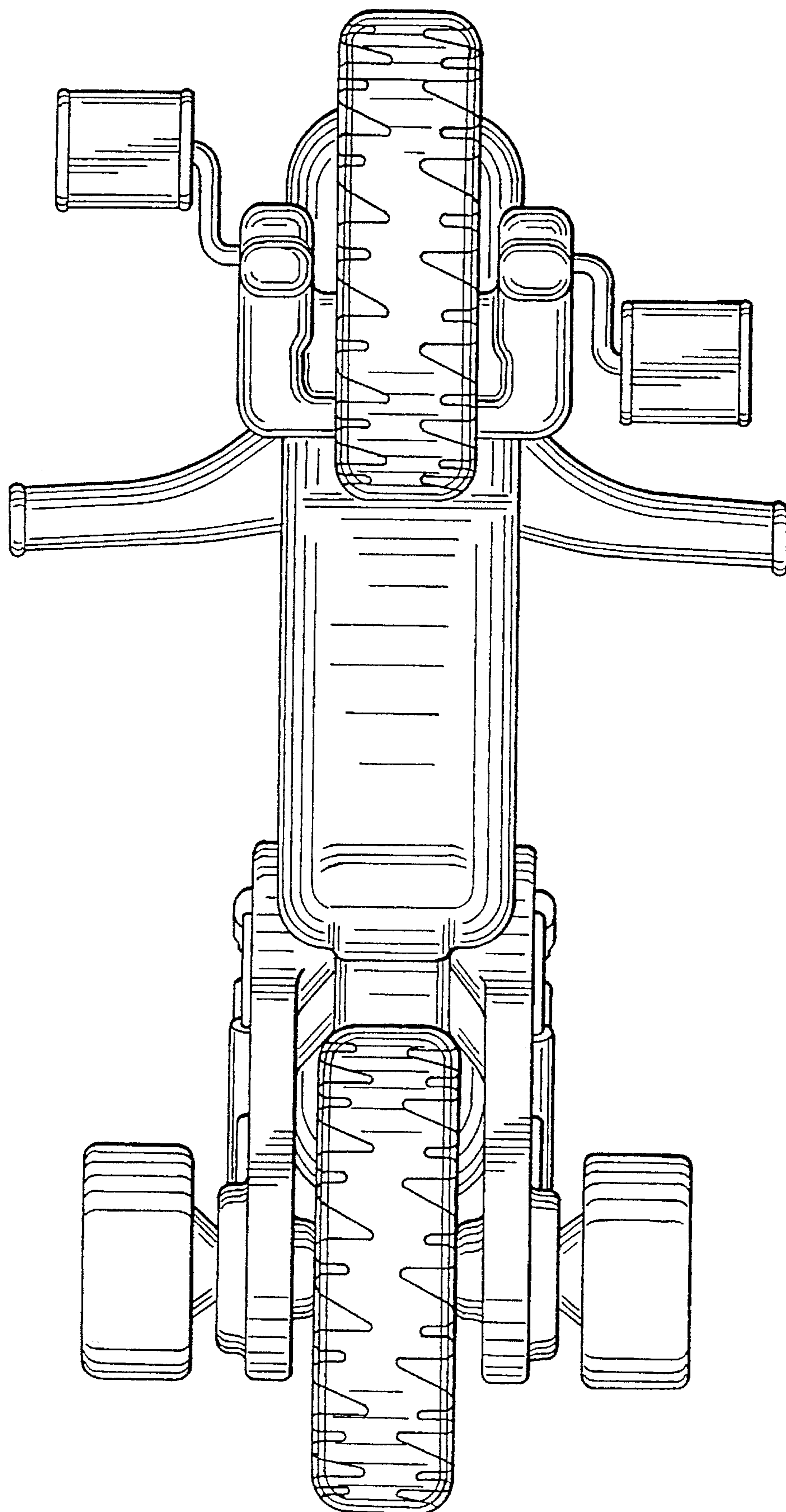


FIG. 6

FIG. 7



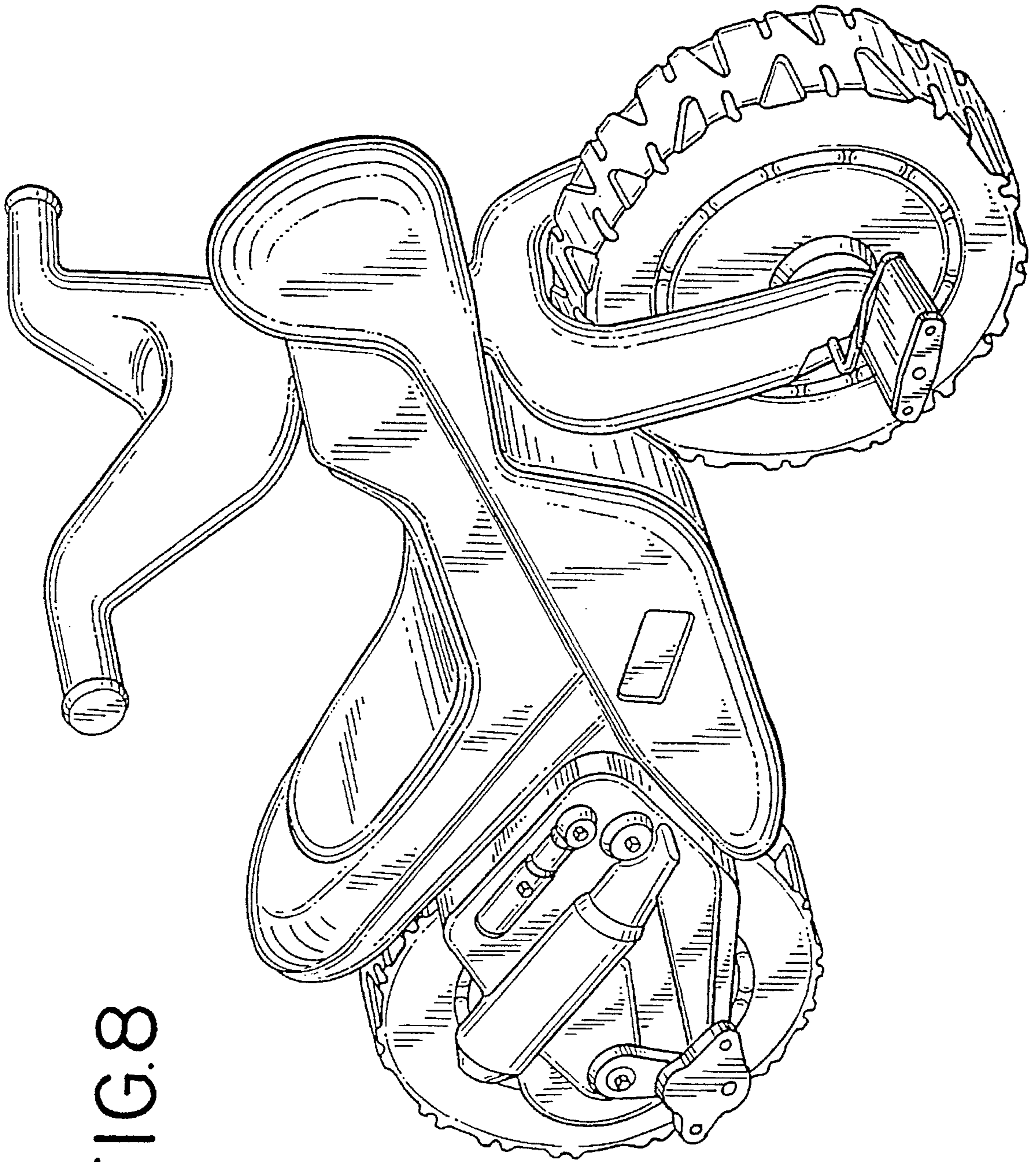


FIG. 8

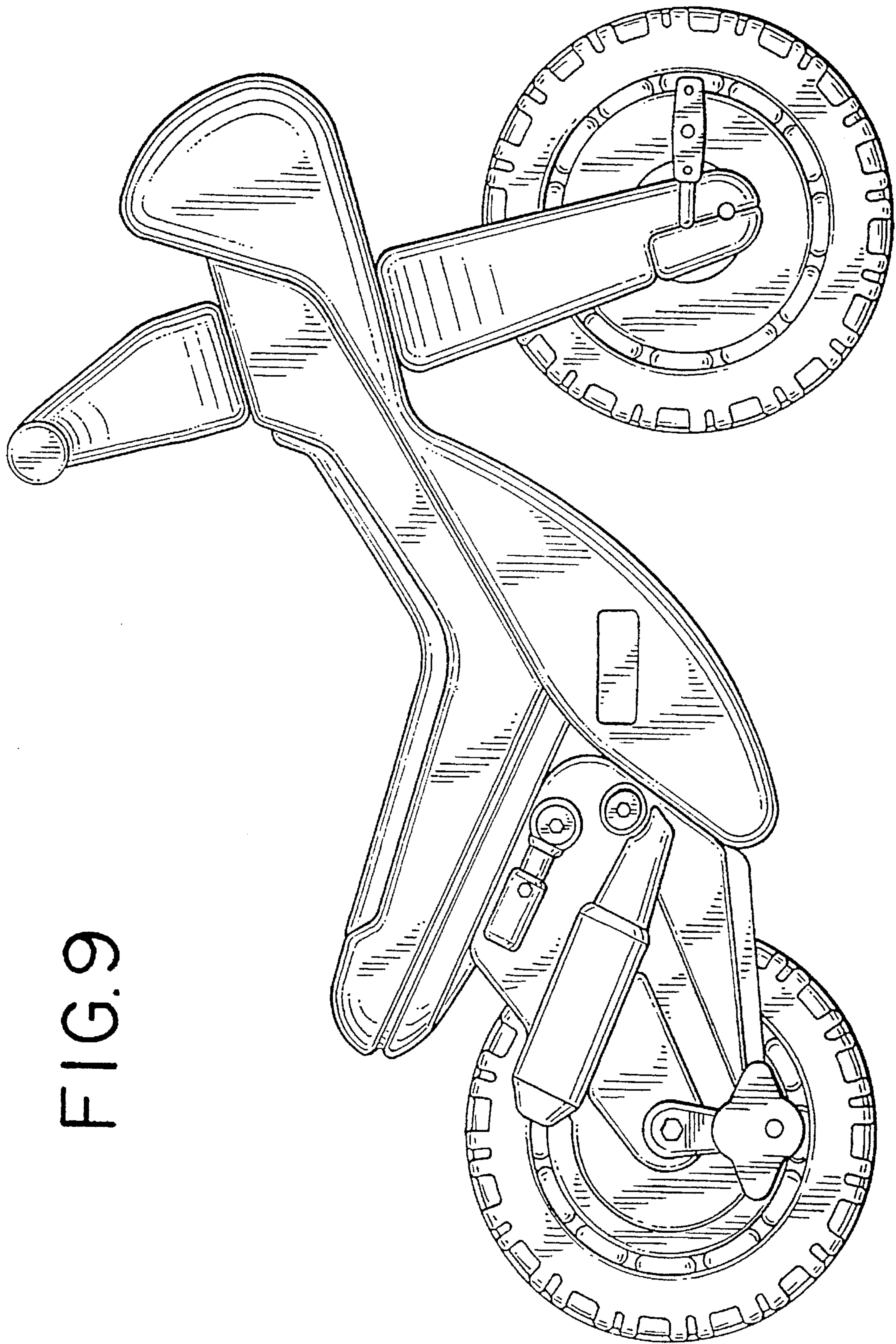


FIG. 9

FIG. 10

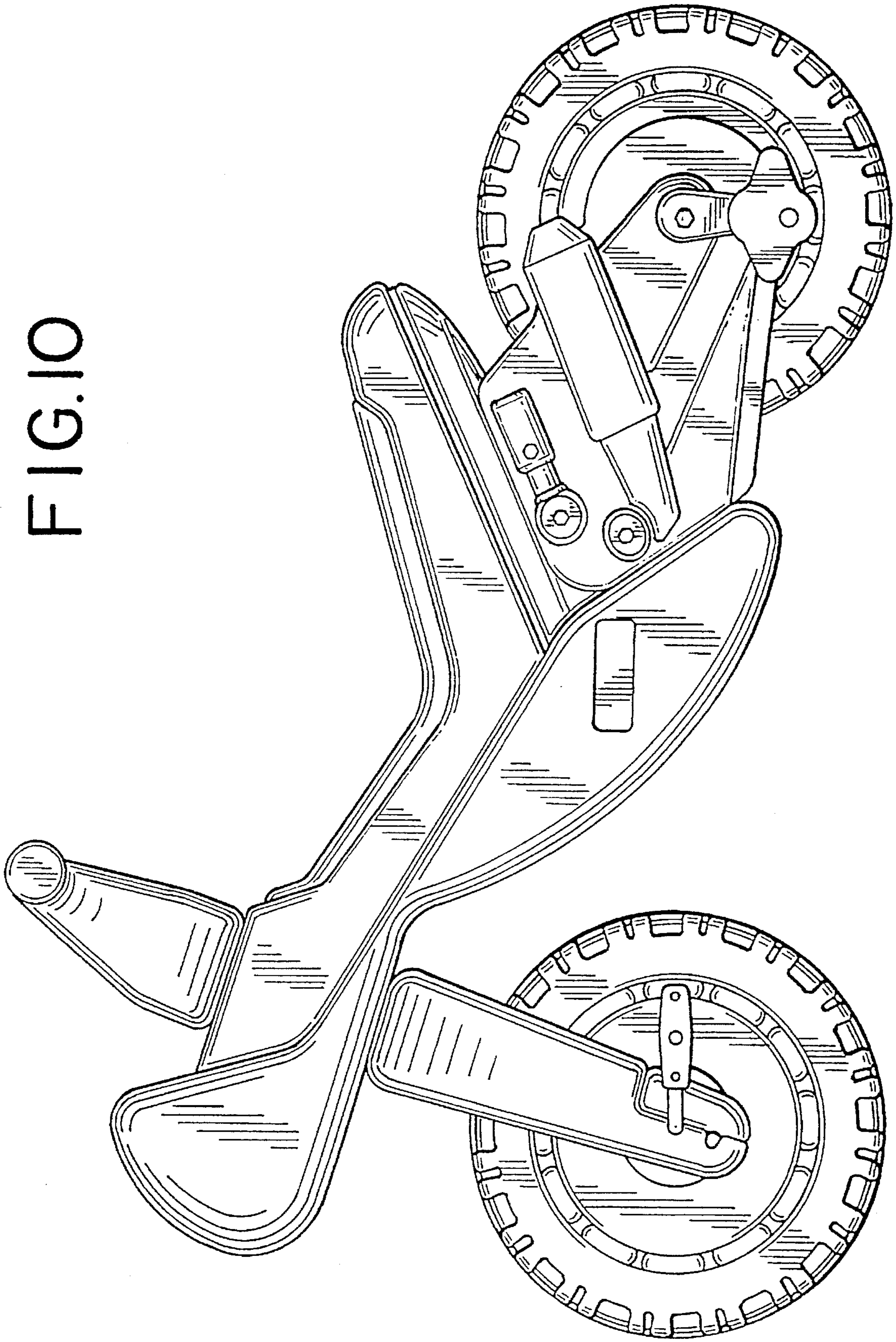


FIG. 12

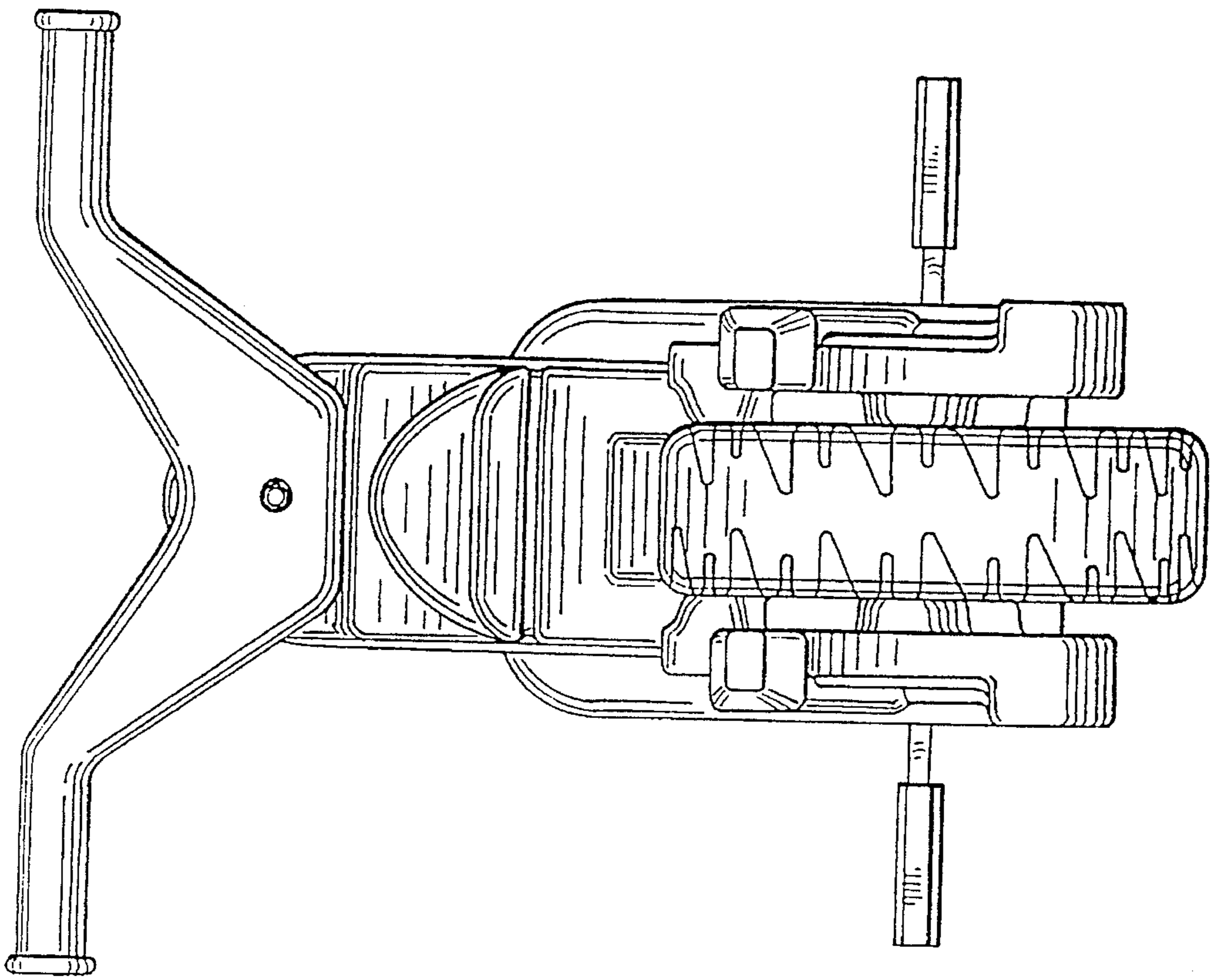
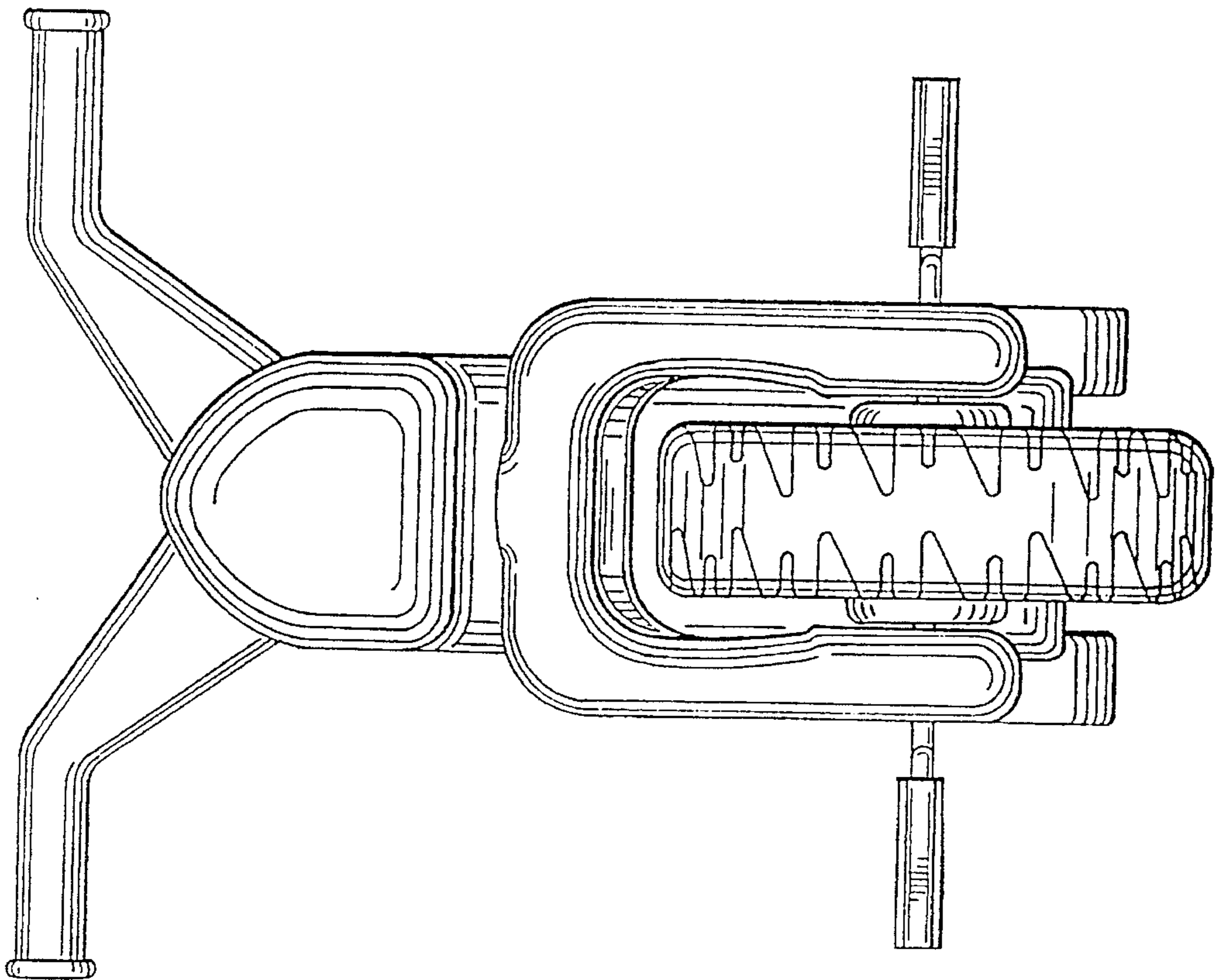


FIG. 11



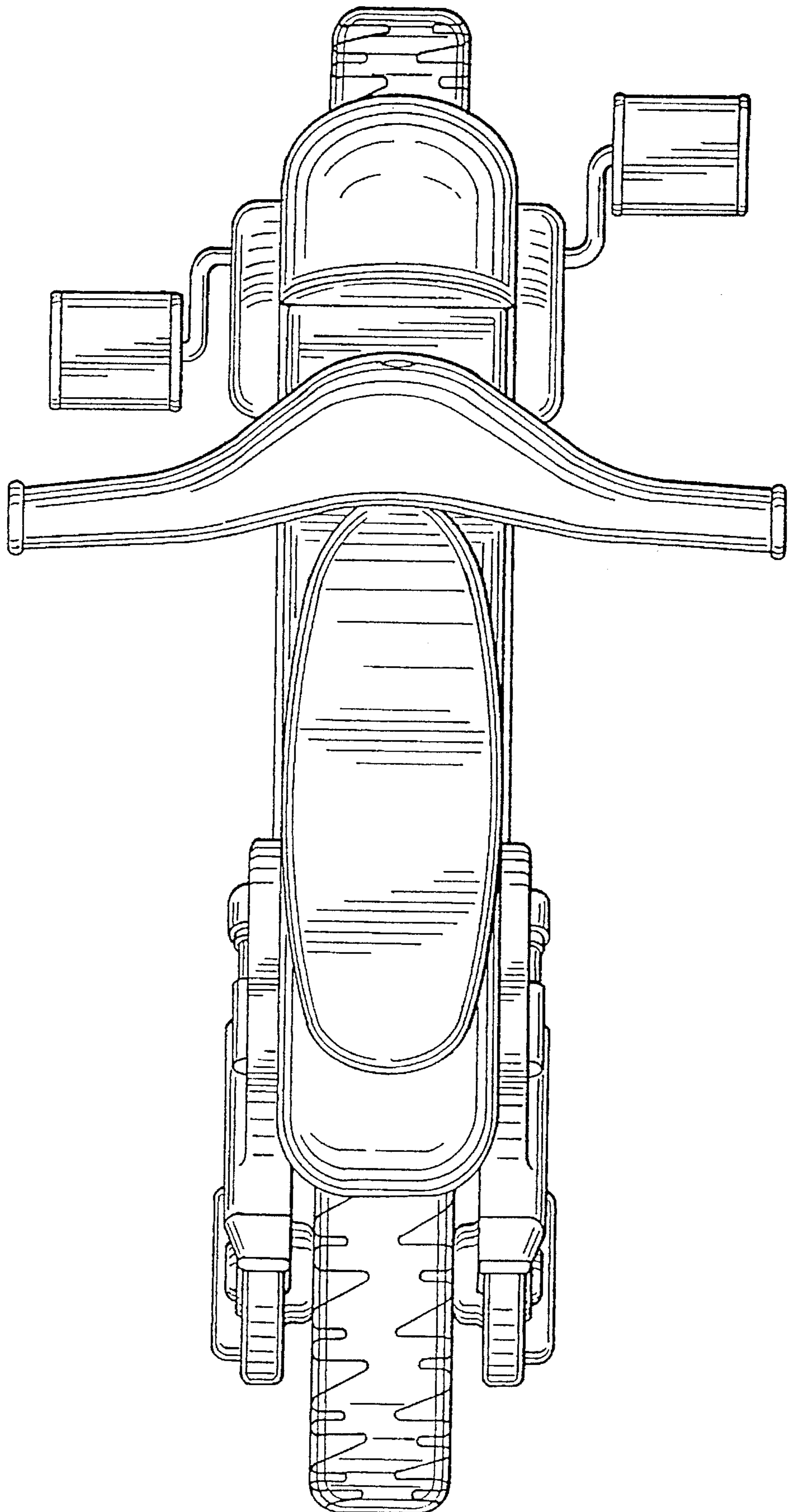


FIG. 13

FIG. 14

