



US00D377766S

# United States Patent [19]

Hidaka et al.

[11] Patent Number: **Des. 377,766**

[45] Date of Patent: **\*\*Feb. 4, 1997**

[54] **BANK NOTE COUNTER**

[75] Inventors: **Yasuhiro Hidaka; Iwao Yamaguchi; Hiroyuki Oda**, all of Hyogo-ken, Japan

[73] Assignee: **Glory Kogyo Kabushiki Kaisha**, Hyogo-ken, Japan

[\*\*] Term: **14 Years**

[21] Appl. No.: **39,069**

[22] Filed: **May 19, 1995**

[30] **Foreign Application Priority Data**

Nov. 21, 1994	[JP]	Japan	.....	6-35398
[52]	<b>U.S. Cl.</b>	.....	<b>D10/97</b>	
[58]	<b>Field of Search</b>	.....	D10/97; 194/203,	
			194/206; 382/135, 319, 323	

[56] **References Cited**

**U.S. PATENT DOCUMENTS**

D. 369,984 5/1996 Larsen ..... D10/97

*Primary Examiner*—Antoine Duval Davis  
*Attorney, Agent, or Firm*—Wenderoth, Lind & Ponack

[57] **CLAIM**

The ornamental design for a bank note counter, as shown and described.

**DESCRIPTION**

FIG. 1 is a front elevational view of a bank note counter showing our new design;

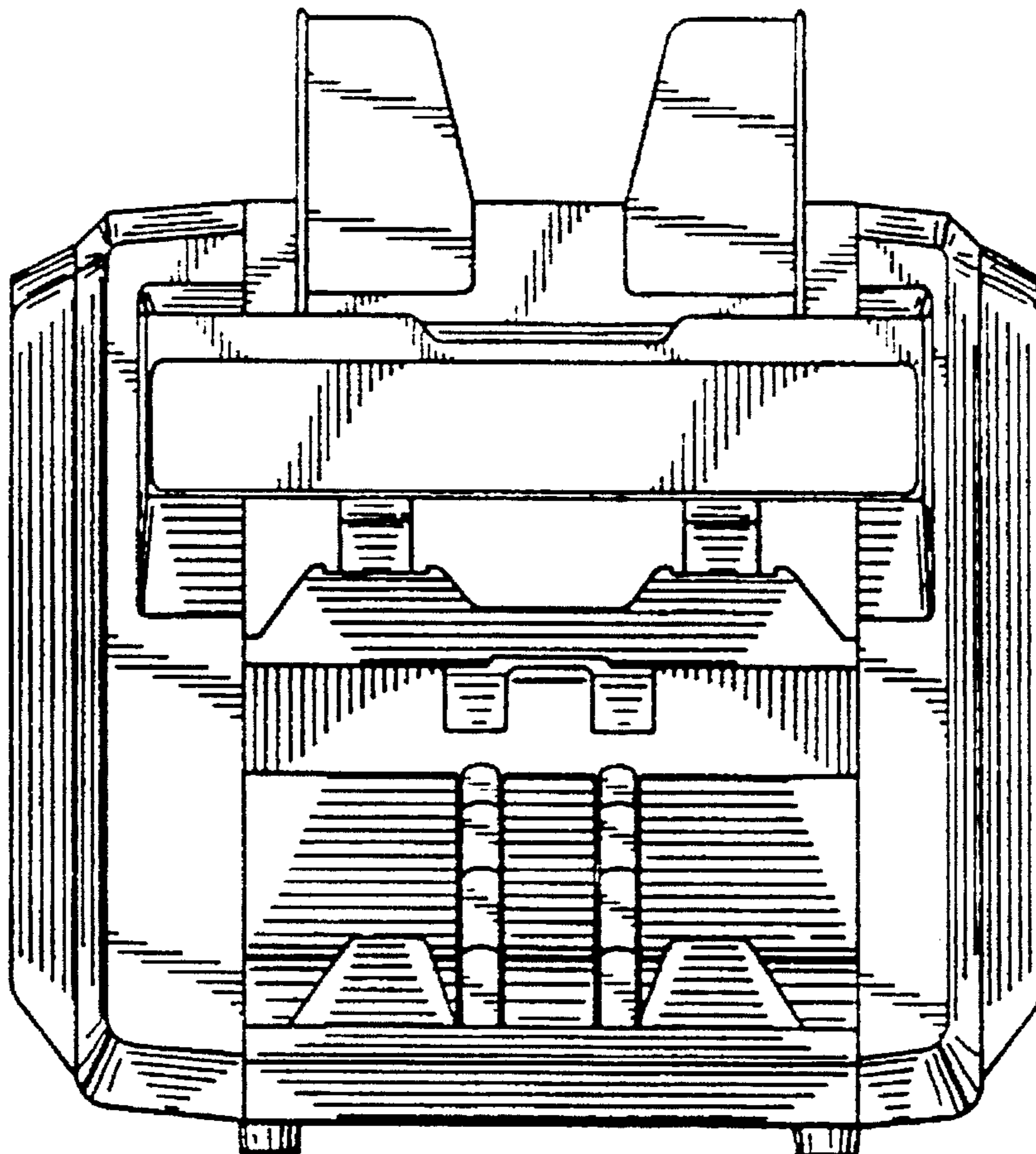
FIG. 2 is a right side elevational view thereof, the left side elevational view being a mirror image;

FIG. 3 is a rear elevational view thereof;

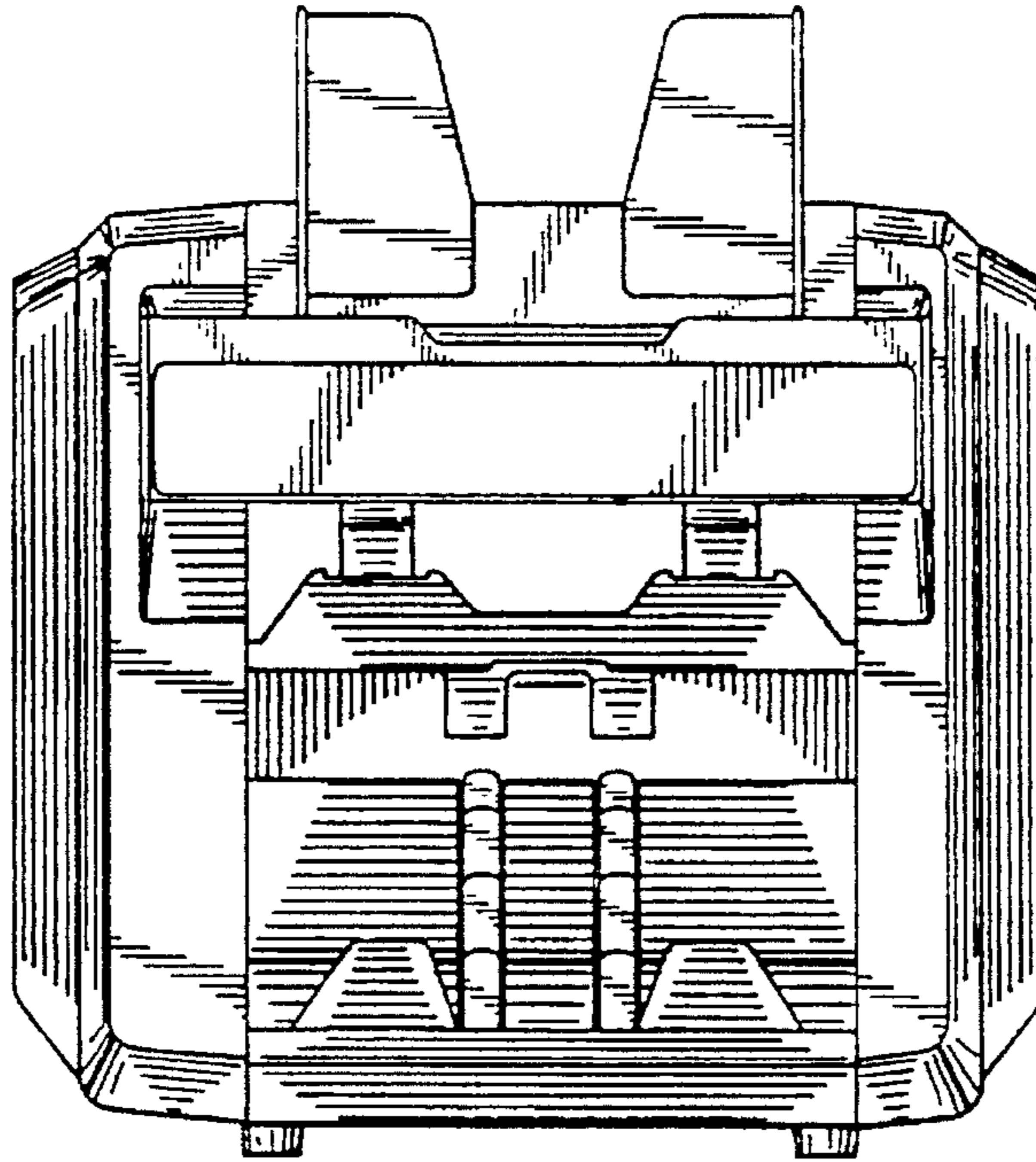
FIG. 4 is a top plan view thereof; and,

FIG. 5 is a bottom plan view thereof.

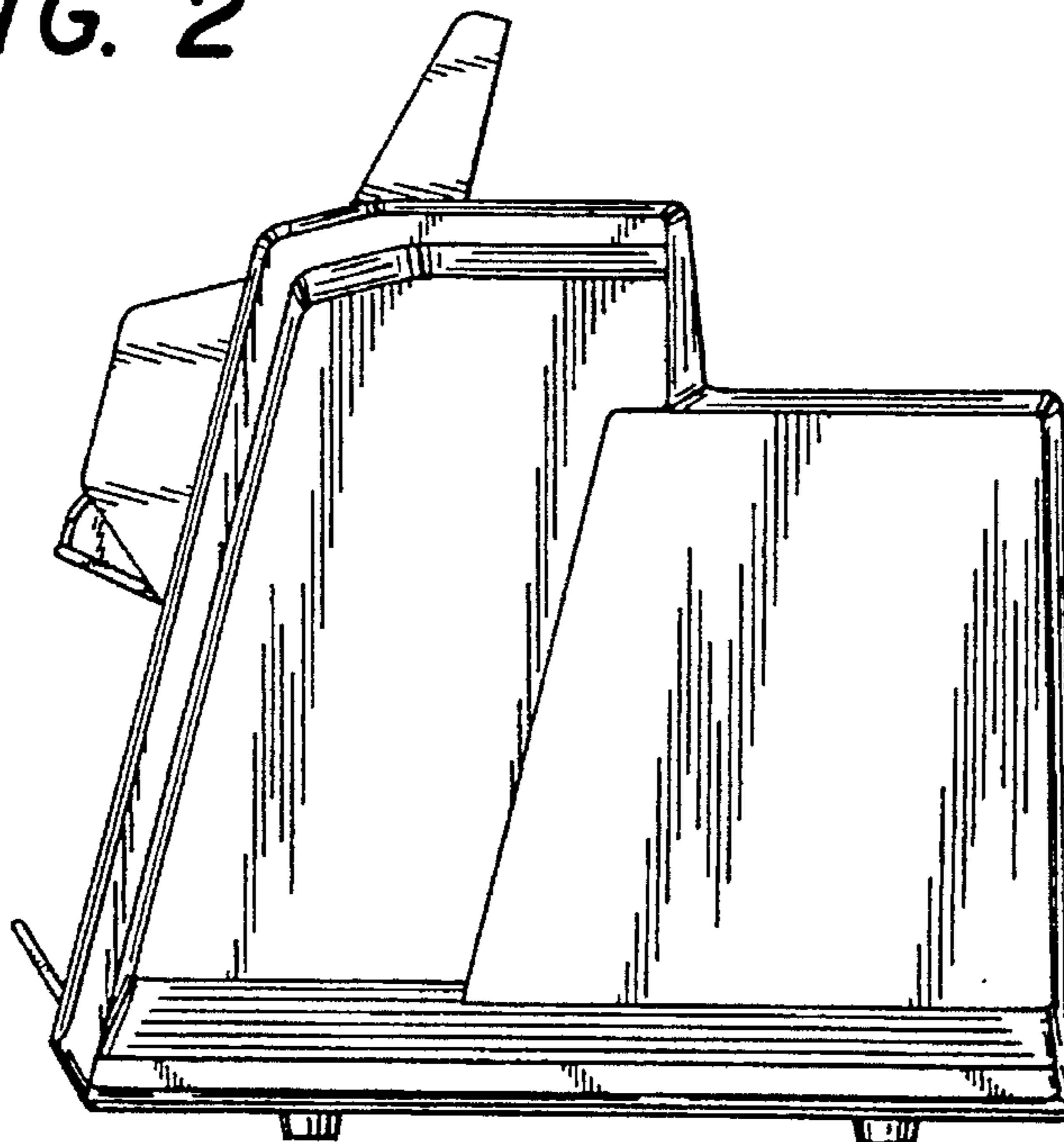
**1 Claim, 3 Drawing Sheets**



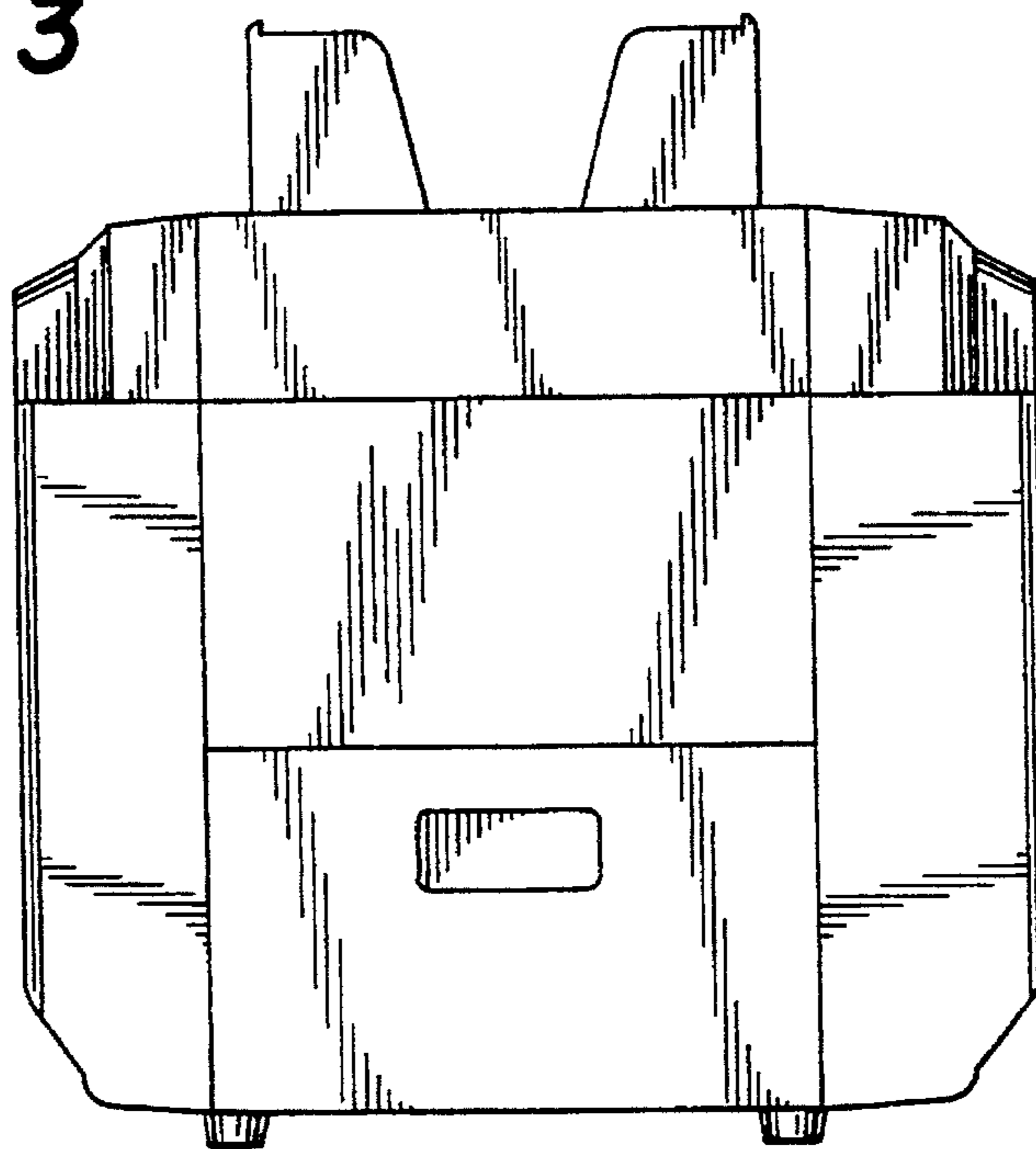
**FIG. 1**



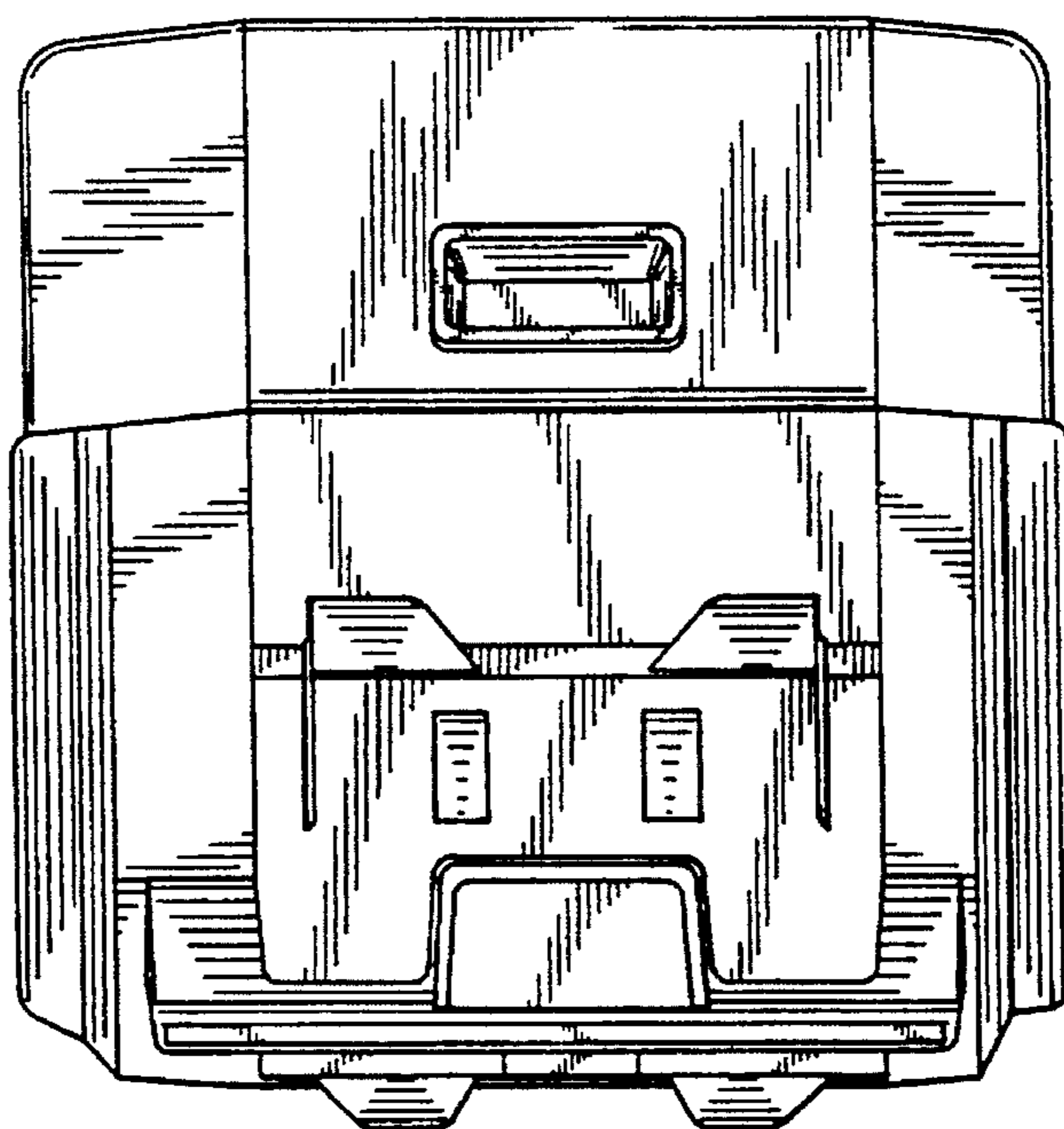
**FIG. 2**



**FIG. 3**



**FIG. 4**



**FIG. 5**

