



US00D37765S

United States Patent [19] O'Neil

[11] Patent Number: **Des. 377,765**

[45] Date of Patent: ****Feb. 4, 1997**

[54] SCALE

[75] Inventor: **Robert A. O'Neil**, Glen Ellyn, Ill.

[73] Assignee: **Sunbeam Products, Inc.**, Fort Lauderdale, Fla.

[**] Term: **14 Years**

[21] Appl. No.: **45,977**

[22] Filed: **Nov. 3, 1995**

[52] U.S. Cl. **D10/92**

[58] Field of Search D10/91; 177/34,
177/173, 174, 238-243, 256, 257, 258,
DIG. 2

[56] **References Cited**

U.S. PATENT DOCUMENTS

D. 81,646	8/1930	Pollack	D10/92
D. 88,686	12/1932	Sutton	D10/92
D. 88,997	1/1933	Weber	D10/92

D. 89,843	5/1933	Budlong	D10/92
D. 90,899	10/1933	Tucker	D10/92
D. 91,694	3/1934	Vogel	177/241
D. 317,578	6/1991	Joss et al.	D10/92
D. 327,227	6/1992	Gresens et al.	D10/92

Primary Examiner—Antoine Duval Davis
Attorney, Agent, or Firm—Michael J. Kline; Paul D. Bangor, Jr.

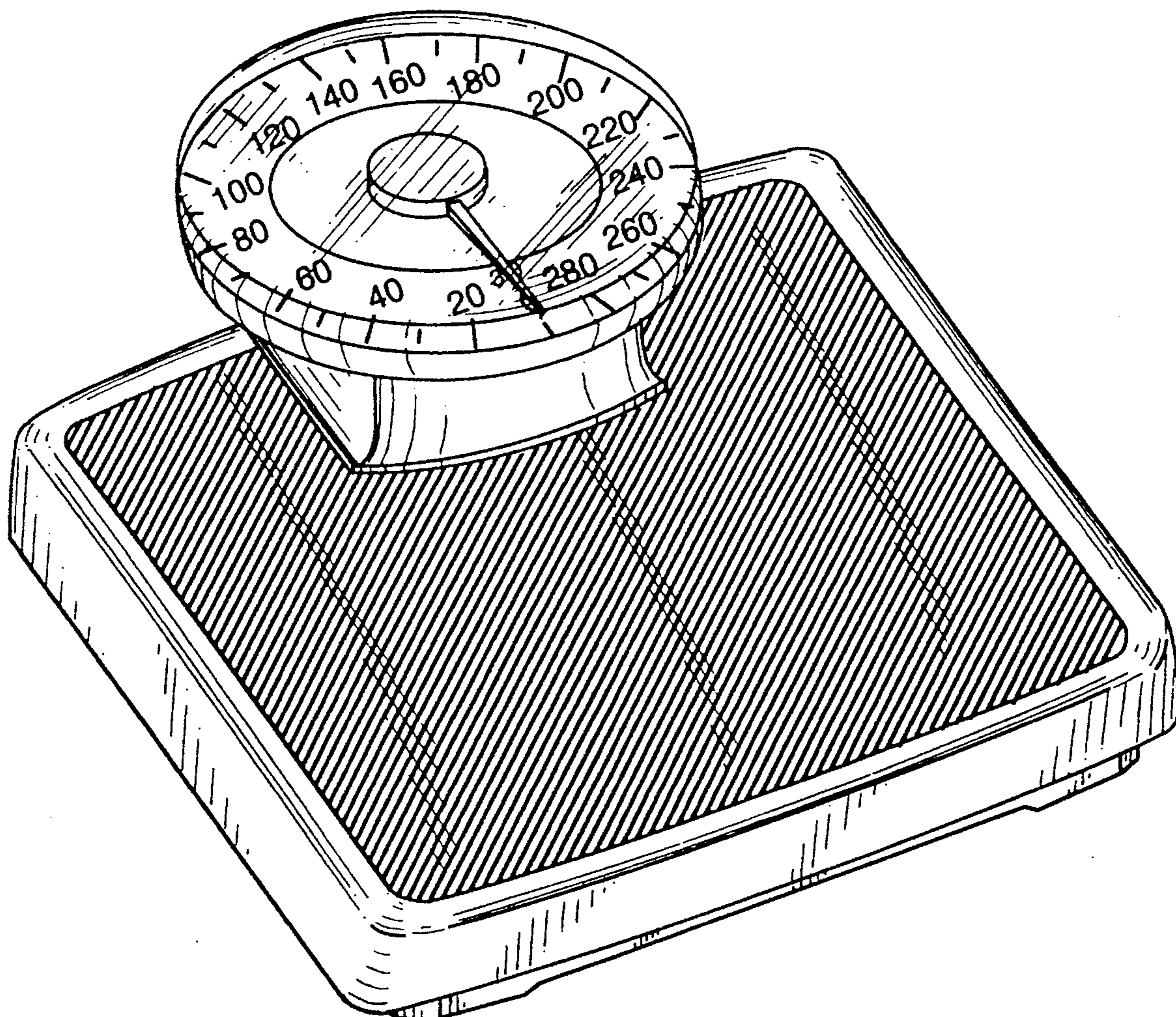
[57] **CLAIM**

The ornamental design for a scale, as shown and described.

DESCRIPTION

FIG. 1 is a top right front perspective view of a scale showing my new design;
FIG. 2 is a top plan view thereof;
FIG. 3 is a bottom plan view thereof;
FIG. 4 is a front elevational view thereof;
FIG. 5 is a rear elevational view thereof;
FIG. 6 is a left side elevational view thereof; and,
FIG. 7 is a right side elevational view thereof.

1 Claim, 5 Drawing Sheets



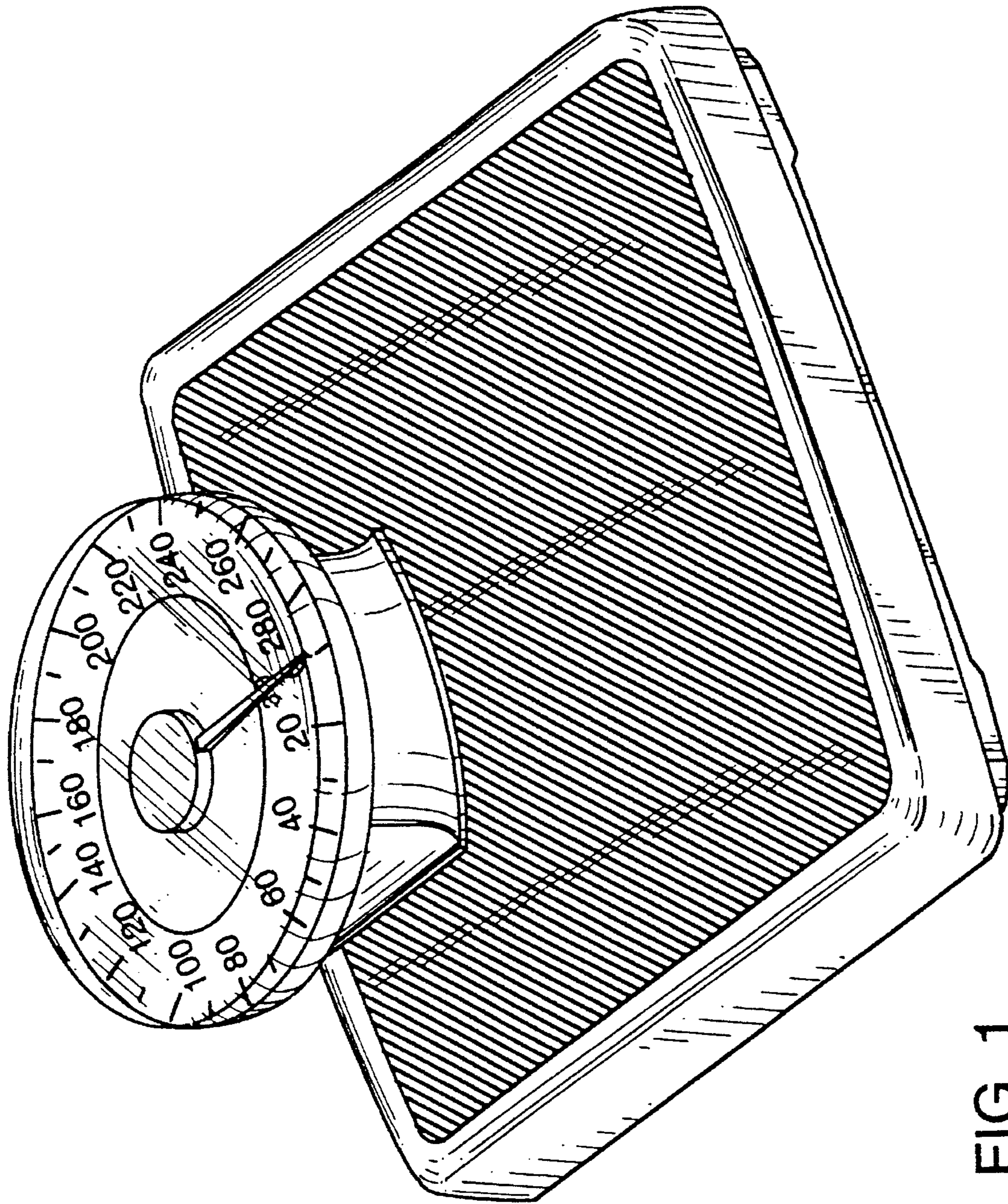


FIG. 1

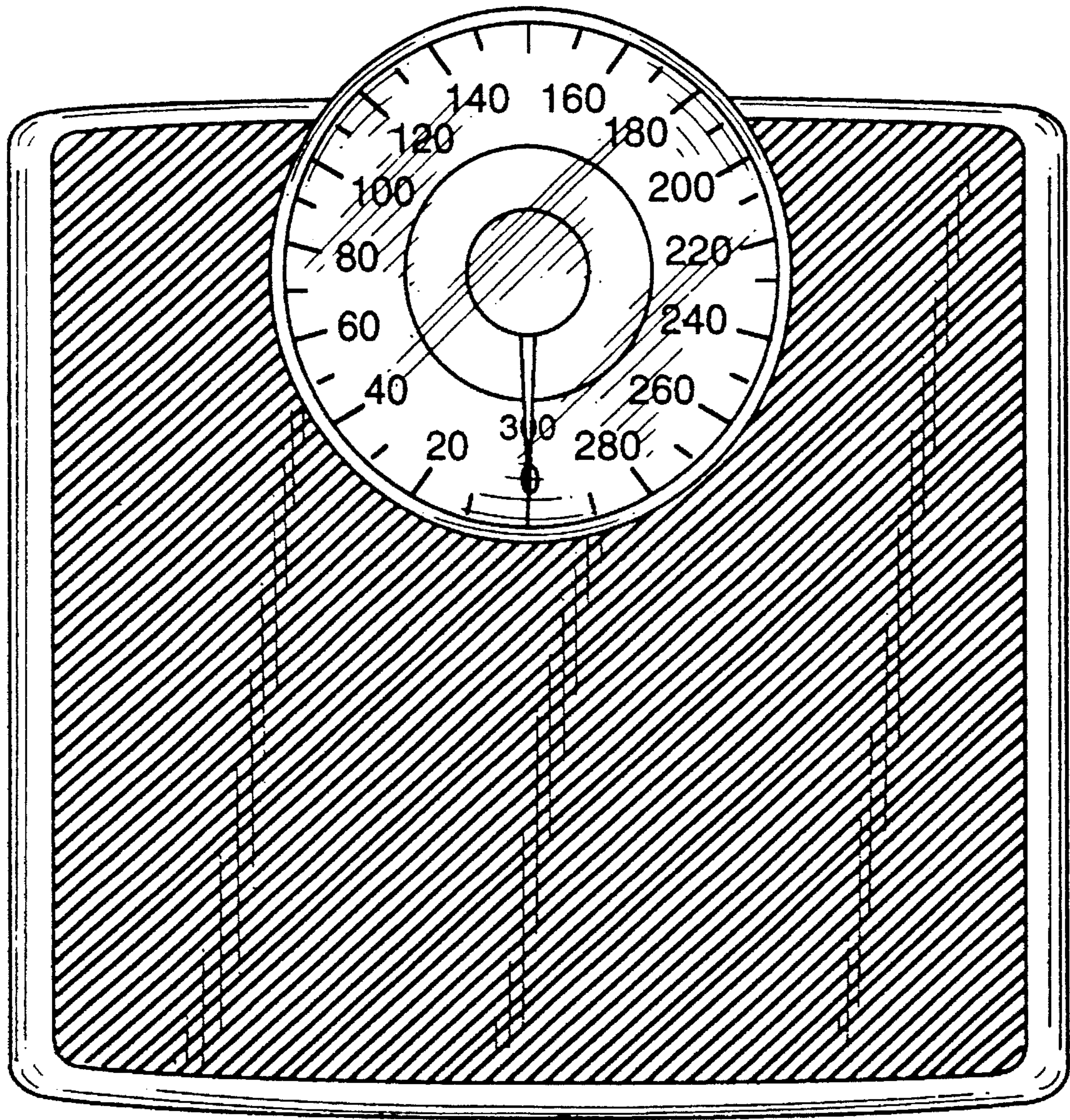


FIG. 2

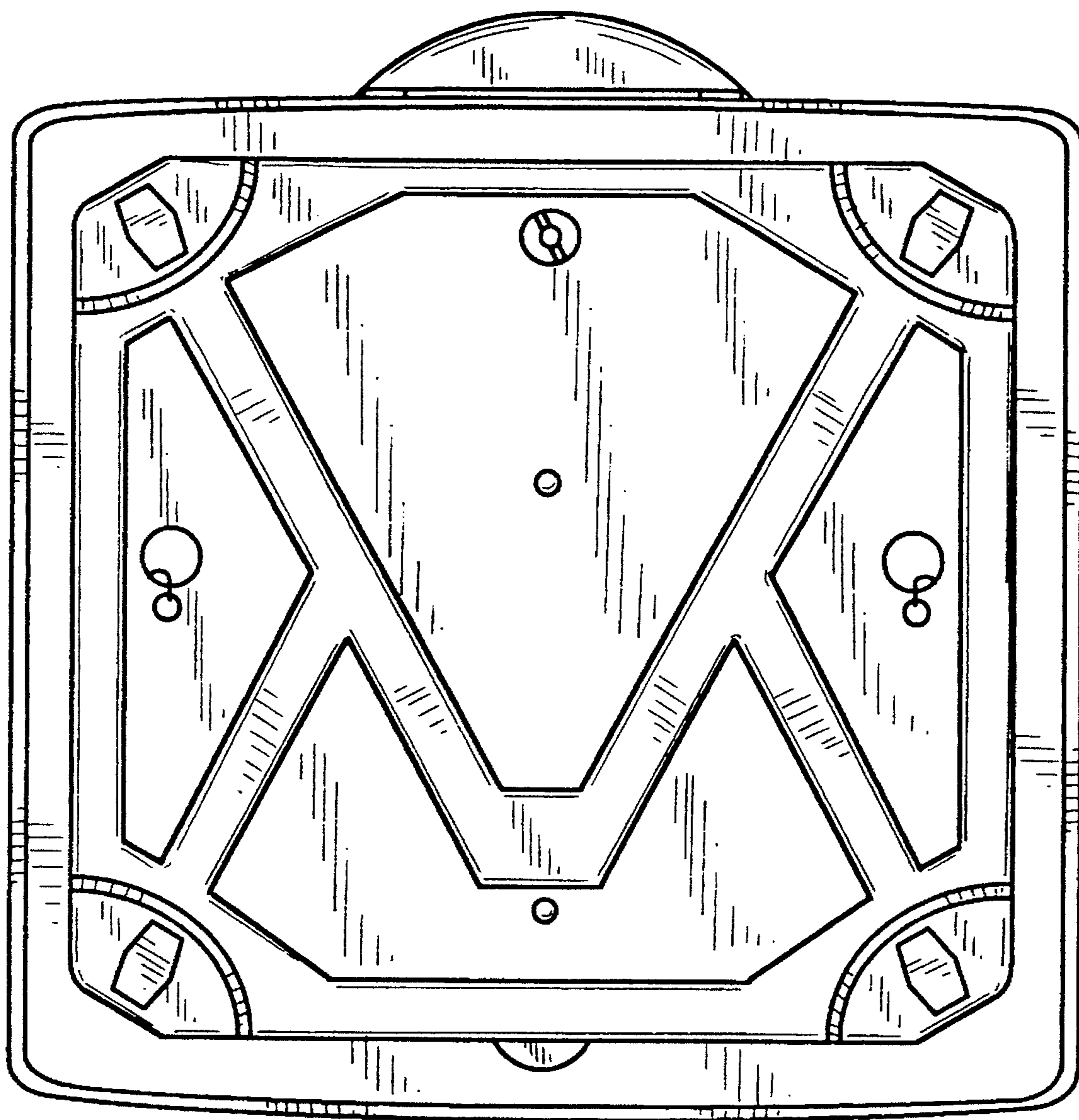


FIG. 3

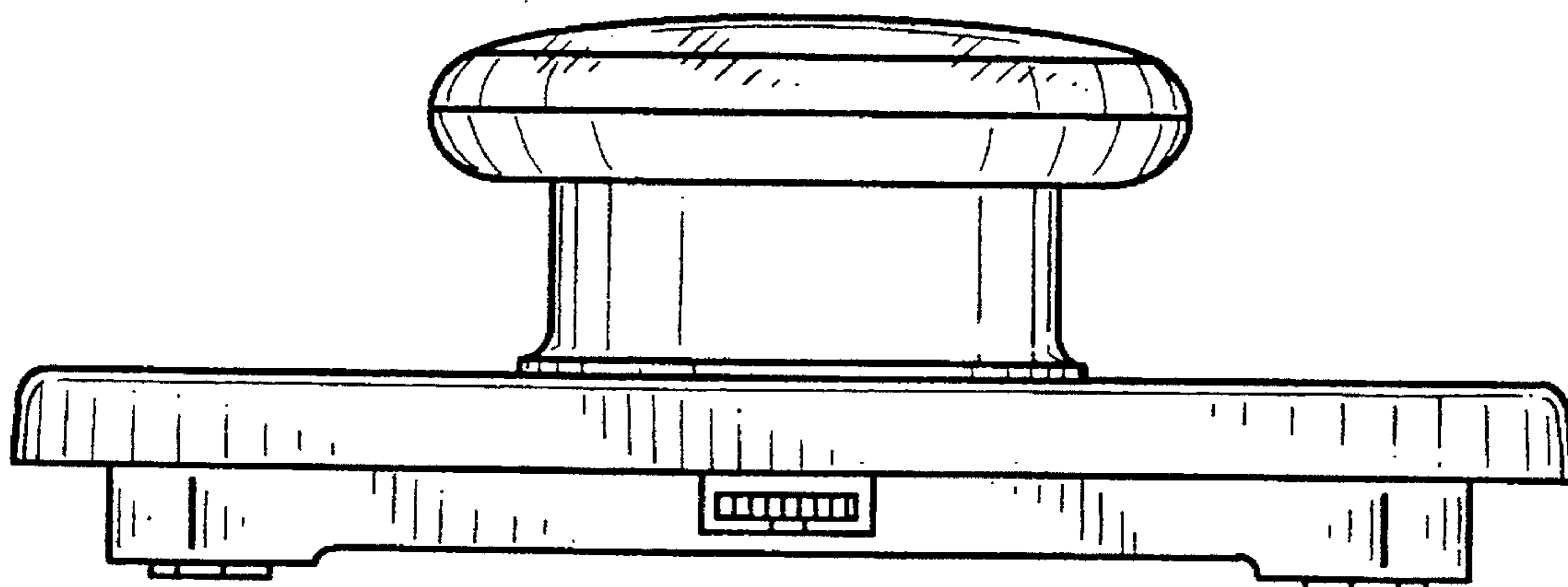


FIG. 4

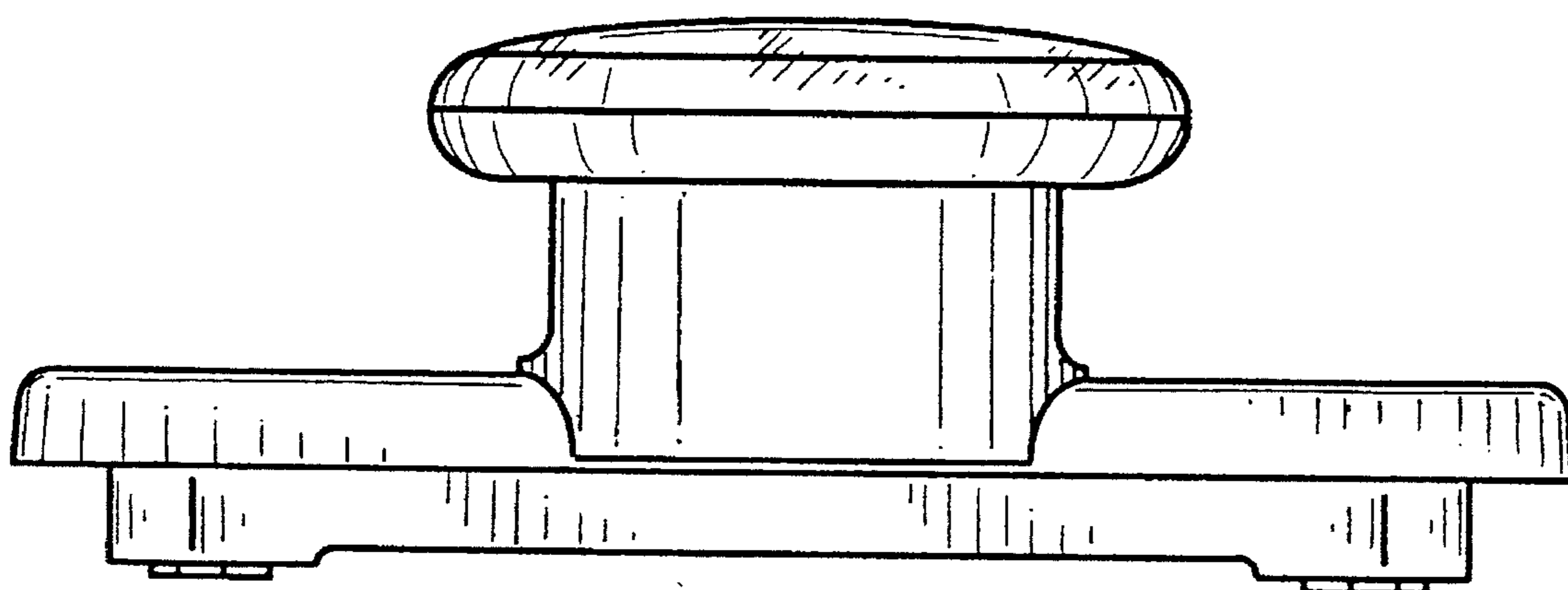


FIG. 5

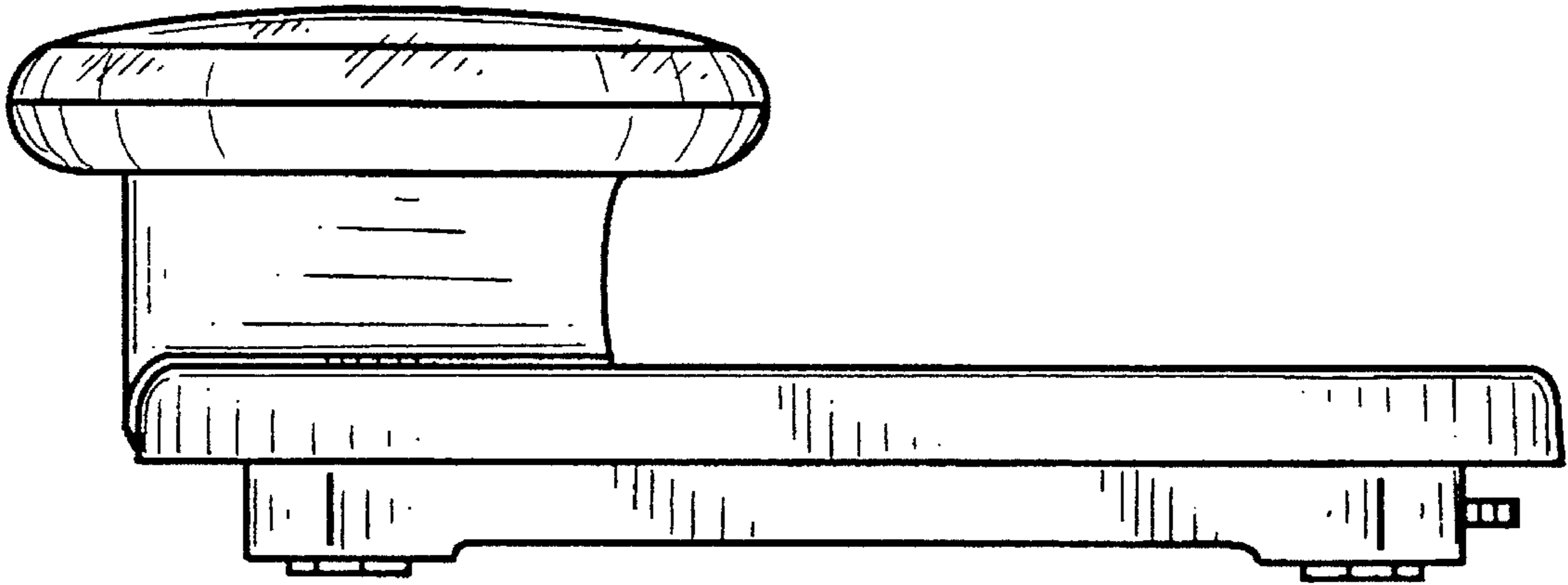


FIG. 6

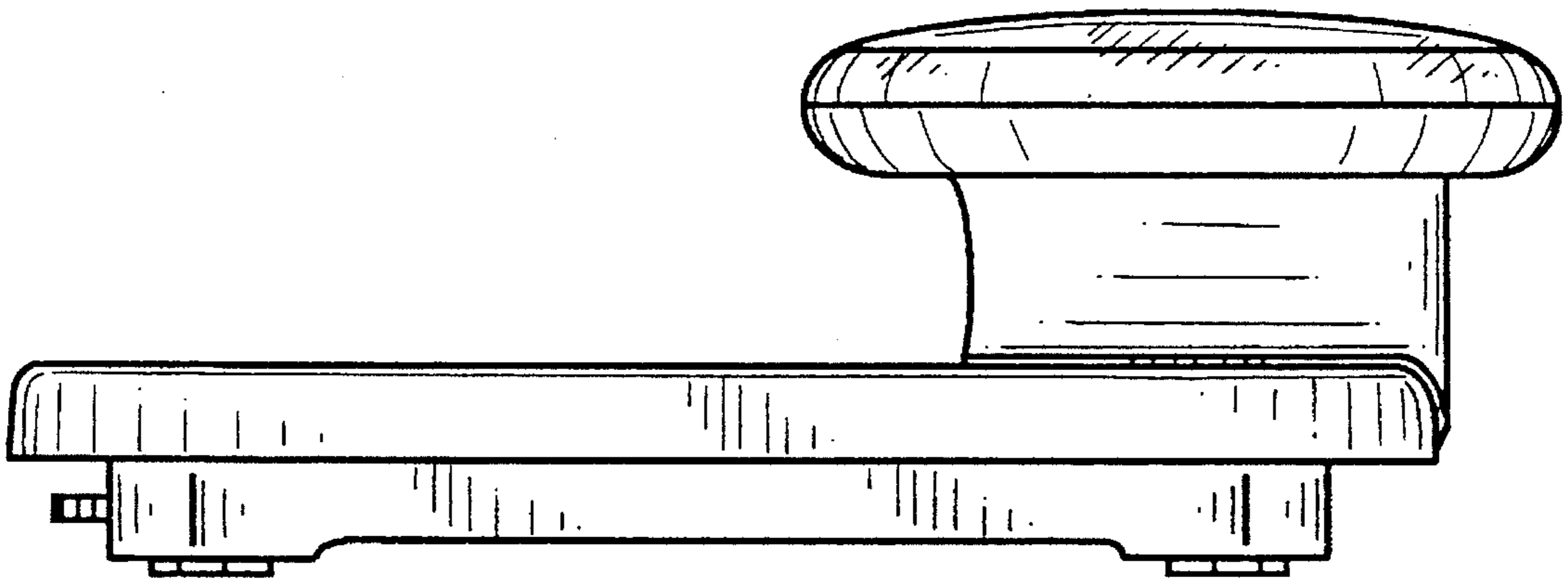


FIG. 7