



US00D377762S

United States Patent [19] Chien

[11] **Patent Number:** **Des. 377,762**

[45] **Date of Patent:** ****Feb. 4, 1997**

[54] **DESK CLOCK**

[75] **Inventor:** **Shen-Yuan Chien, Ilan, Taiwan**

[73] **Assignee:** **Industrial Technology Research Institute, Hsinchu, Taiwan**

[**] **Term:** **14 Years**

[21] **Appl. No.:** **47,043**

[22] **Filed:** **Nov. 27, 1995**

[52] **U.S. Cl.** **D10/22; D10/23 X**

[58] **Field of Search** **D10/1-40, 122-132; 368/276-277, 285, 316-317**

[56] **References Cited**

U.S. PATENT DOCUMENTS

D. 172,582	7/1954	Darrot	D10/17
D. 193,198	7/1962	Cumbus	D10/22
D. 197,662	3/1964	Levy	D10/22 X

Primary Examiner—Nelson C. Holtje
Attorney, Agent, or Firm—Beveridge, DeGrandi, Weilacher & Young, L.L.P.

[57] **CLAIM**

The ornamental design for a desk clock, as shown and described.

DESCRIPTION

FIG. 1 is a front view of a desk clock showing my new design;

FIG. 2 is a rear elevation view thereof;

FIG. 3 is a left side view thereof;

FIG. 4 is a right side view thereof;

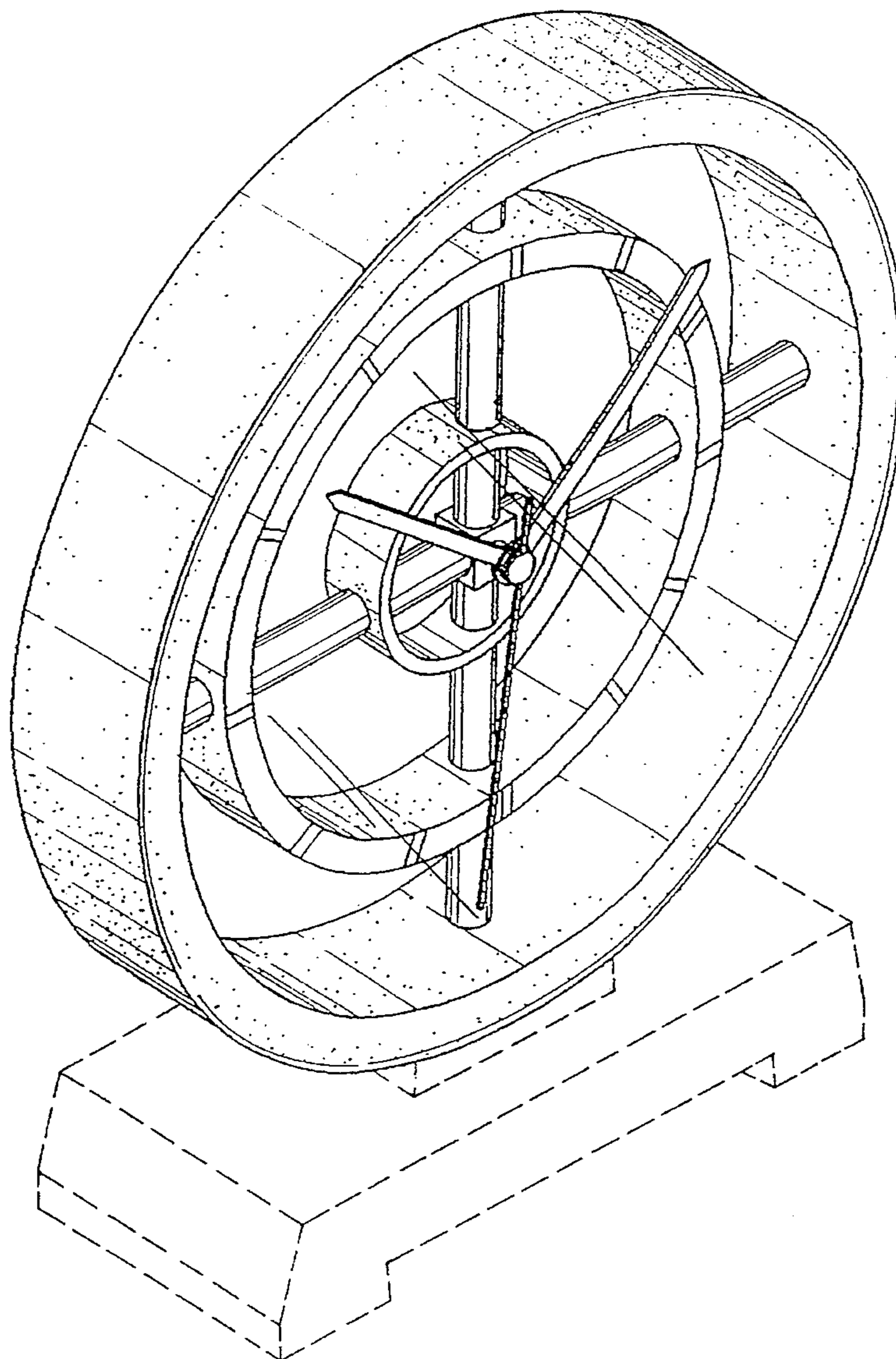
FIG. 5 is a top view thereof;

FIG. 6 is a bottom view thereof; and,

FIG. 7 is a perspective view thereof.

The broken line showing of a support base is for illustrative purposes only and forms no part of the claimed design.

1 Claim, 7 Drawing Sheets



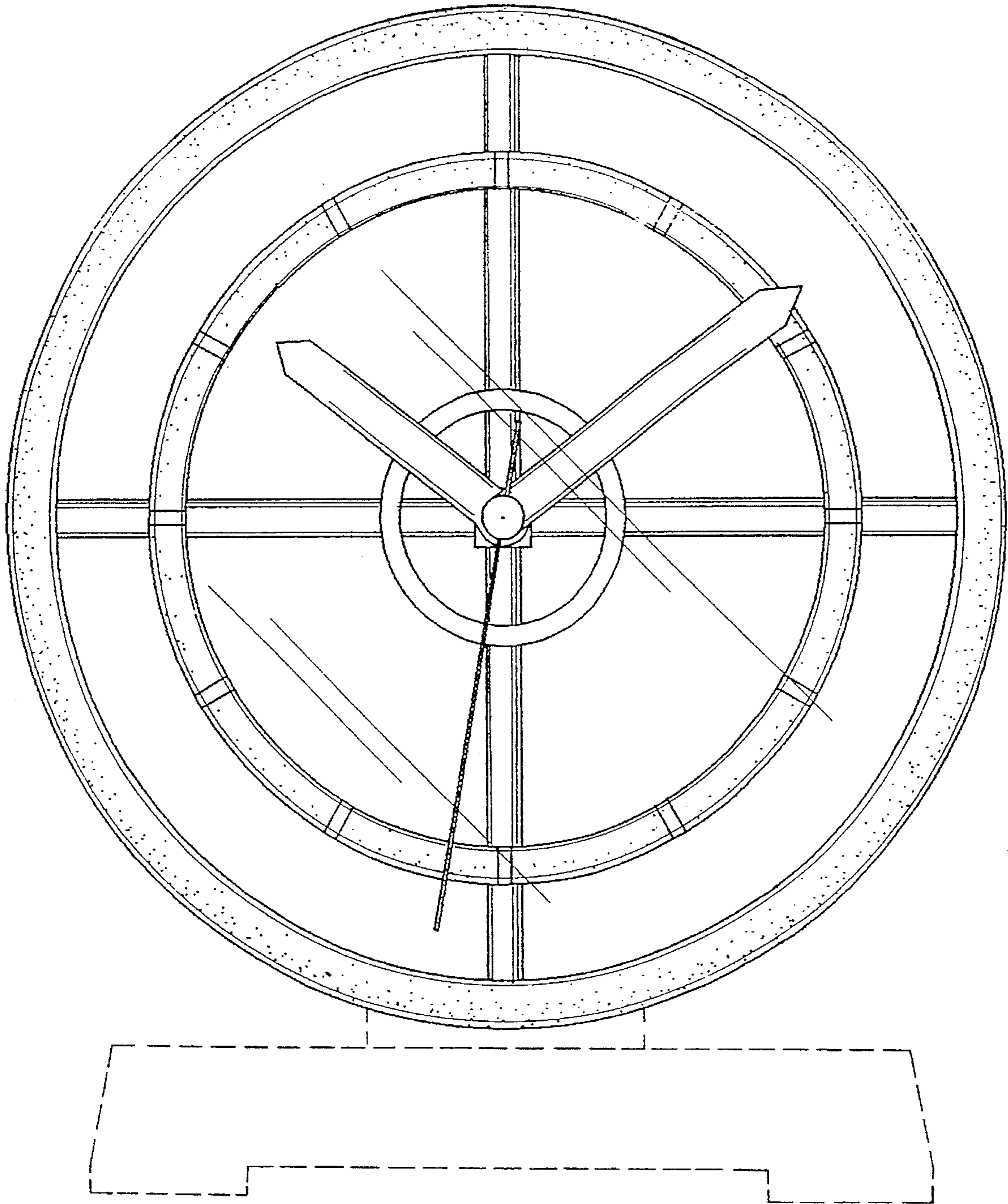


FIG 1

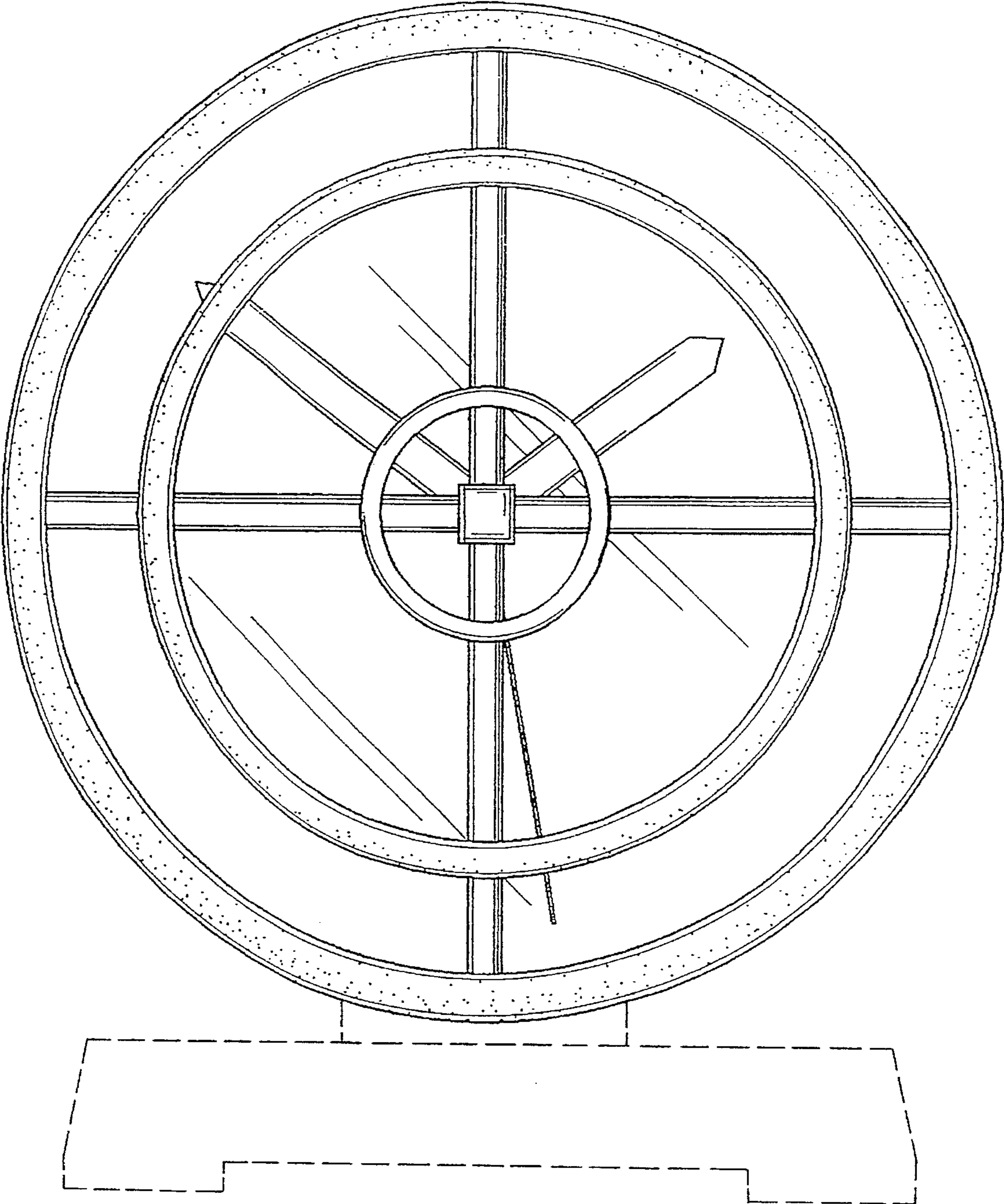


FIG 2

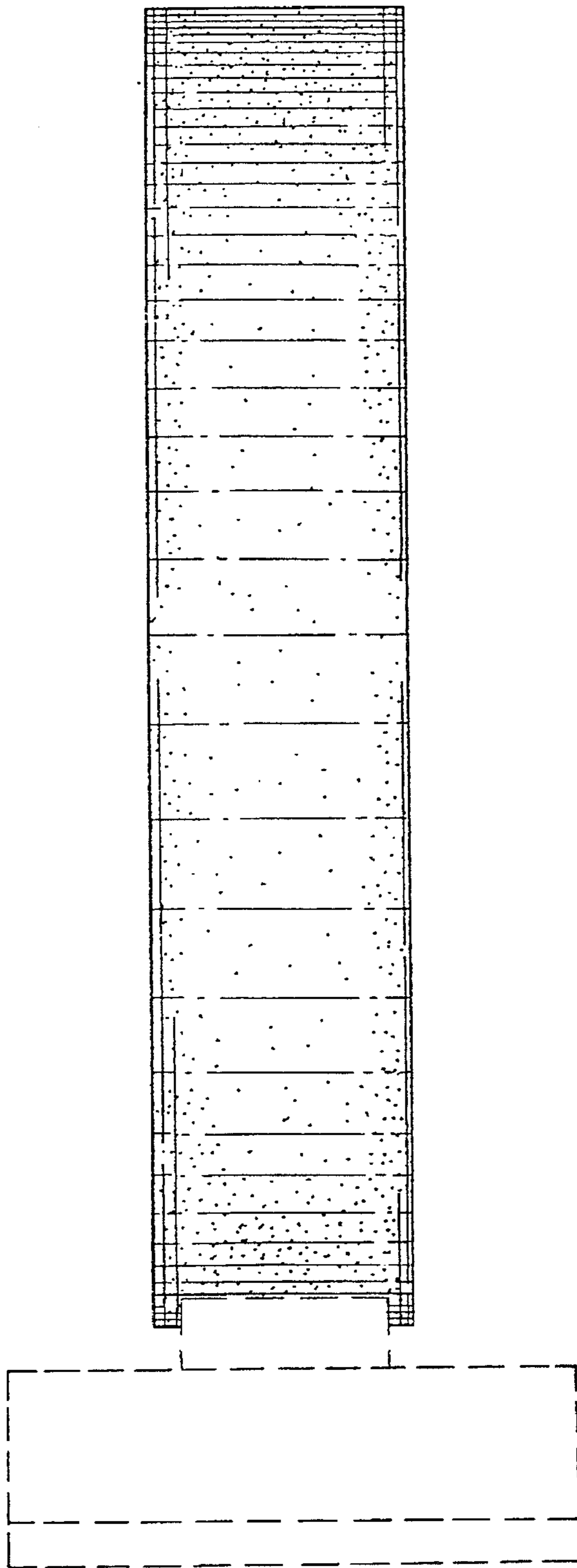


FIG 3

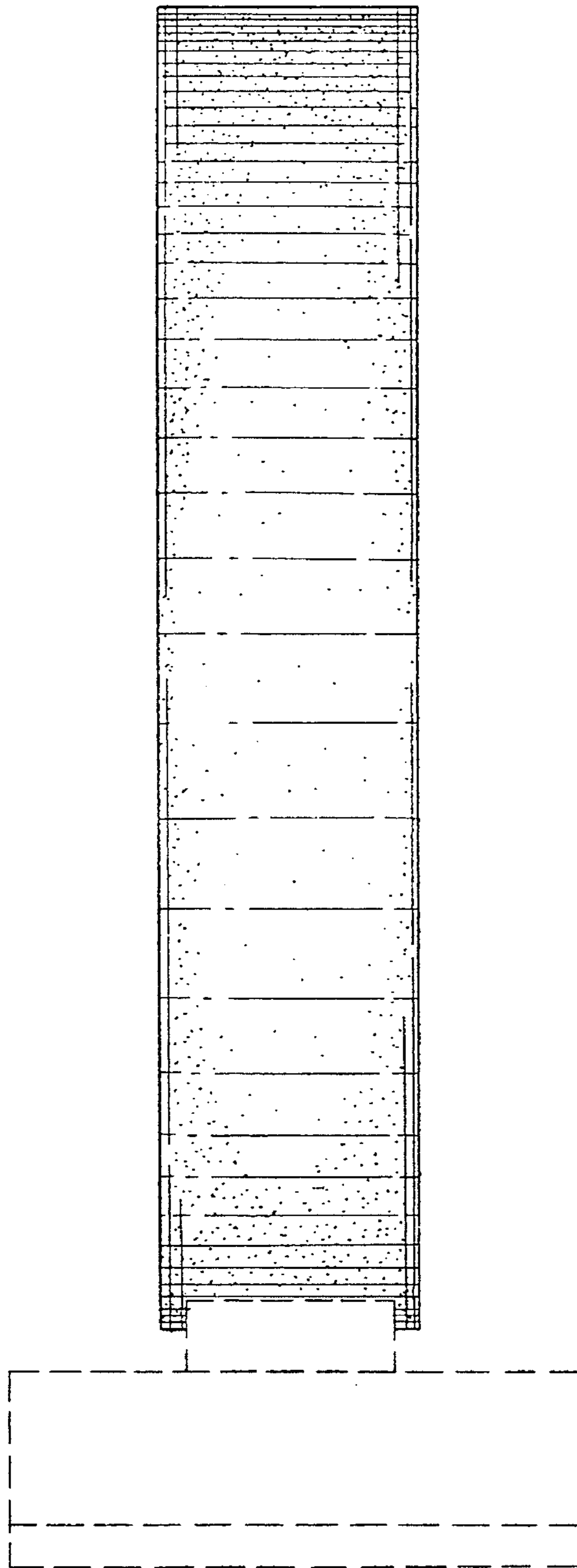


FIG 4

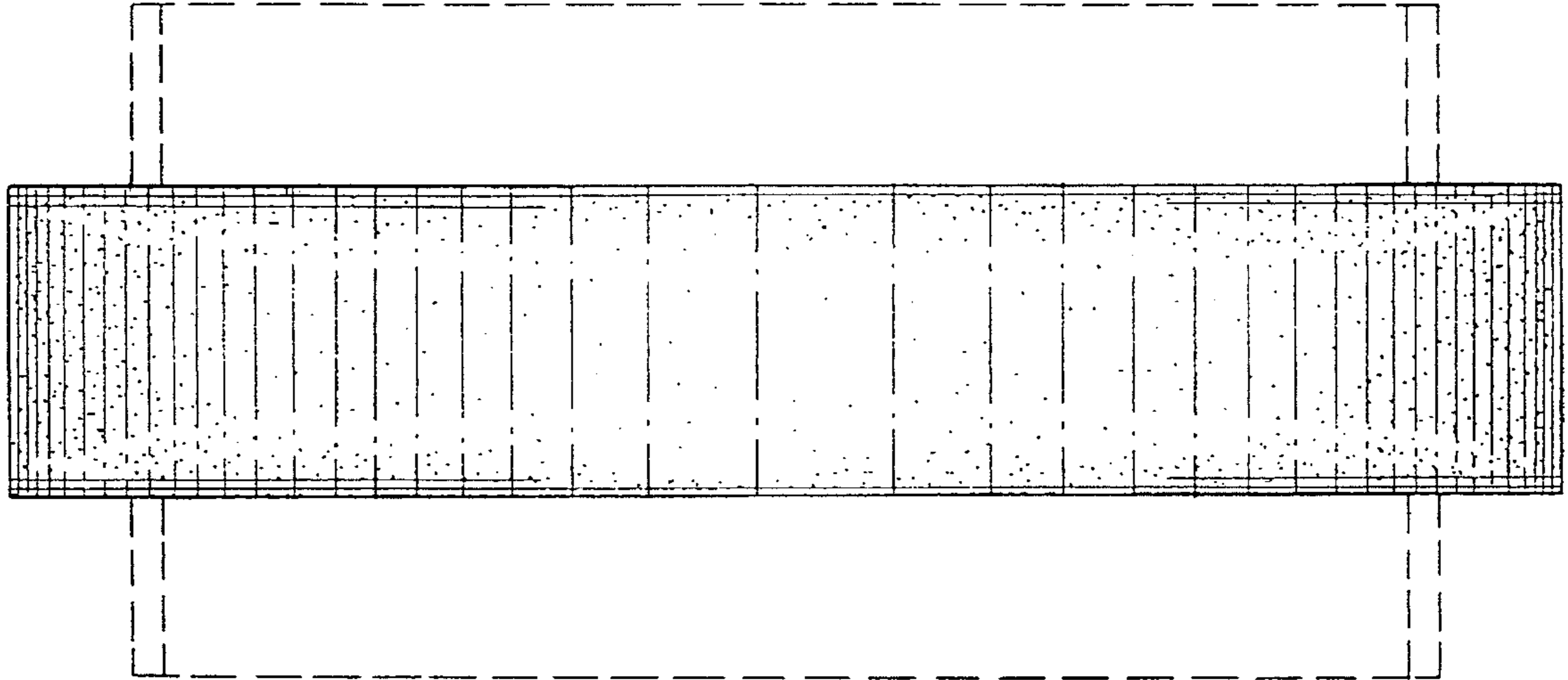


FIG 5

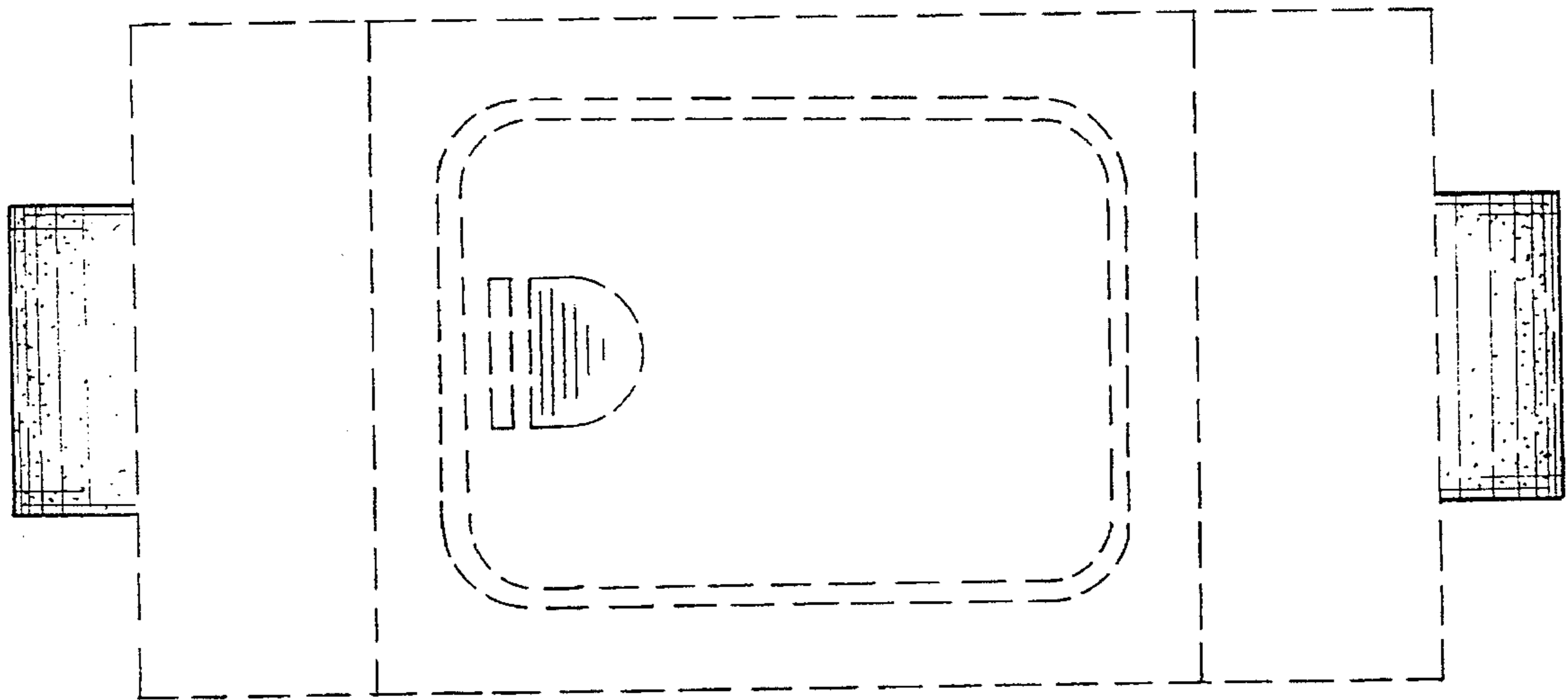


FIG 6

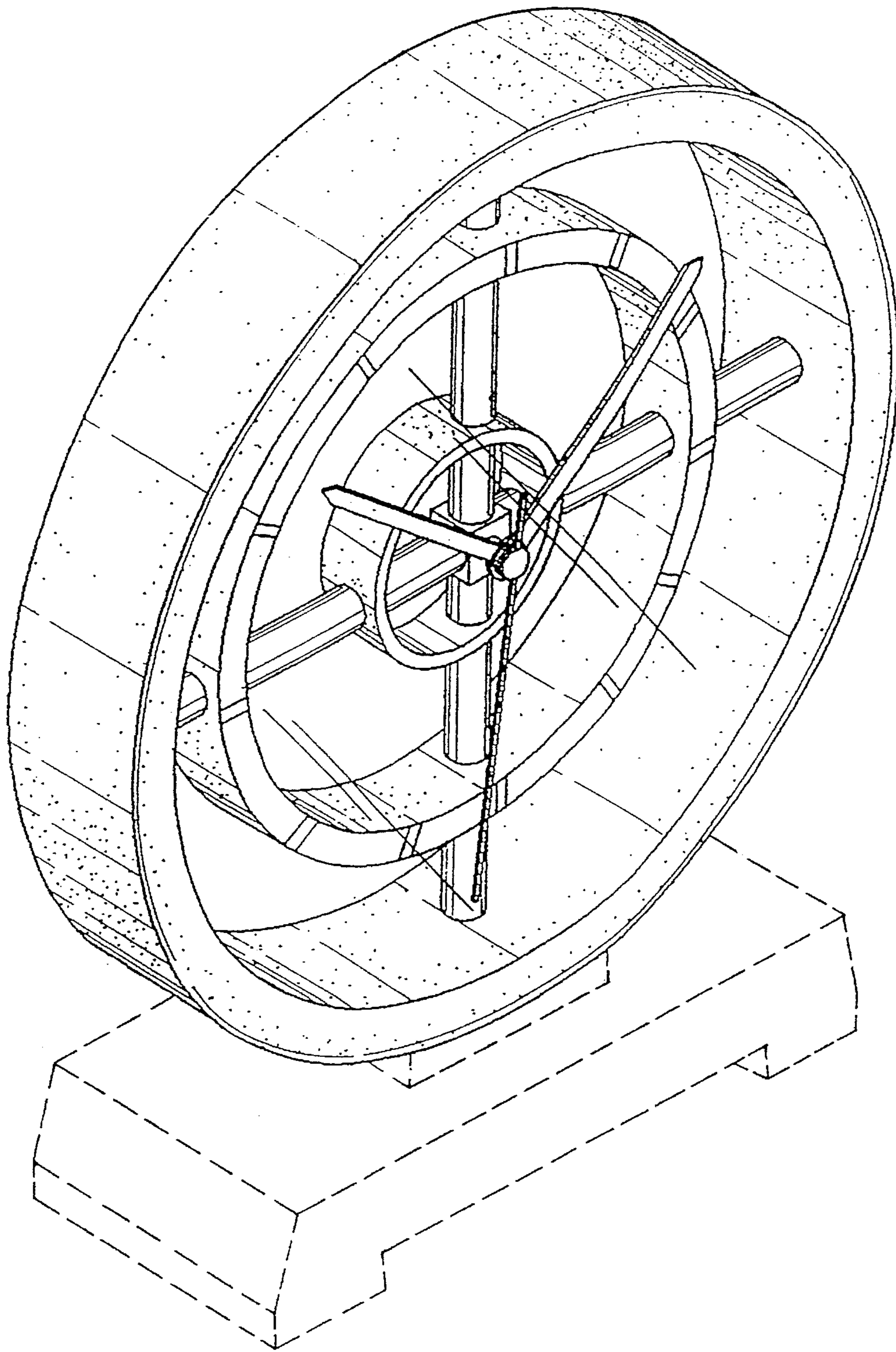


FIG 7