



US00D377758S

United States Patent [19]
Valley

[11] **Patent Number: Des. 377,758**

[45] **Date of Patent: **Feb. 4, 1997**

[54] **TAMPER-EVIDENT SAFETY CLOSURE CAP**

[75] Inventor: **Joseph P. Valley**, Newton, N.J.

[73] Assignee: **Stull Closure Technologies, Inc.**,
Randolph, N.J.

[**] Term: **14 Years**

[21] Appl. No.: **40,350**

[22] Filed: **Jun. 15, 1995**

[52] **U.S. Cl.** **D9/435**

[58] **Field of Search** D9/434, 435, 446,
D9/510, 511, 391, 392, 392.1; 215/217,
224, 230, 250

[56] **References Cited**

U.S. PATENT DOCUMENTS

3,473,685 10/1969 Karlan D9/435 X
4,595,123 6/1986 Libit 215/217 X

FOREIGN PATENT DOCUMENTS

1120605 4/1956 France 222/556
829/93 12/1993 Sweden .

Primary Examiner—B. J. Bullock

Assistant Examiner—Cathron B. Matta

Attorney, Agent, or Firm—H. Gibner Lehmann; K. Gibner
Lehmann

[57] **CLAIM**

The ornamental design for a tamper-evident safety closure cap, as shown and described.

DESCRIPTION

FIG. 1 is a perspective view of the safety cap, shown in its closed position, and being mounted on a bottle or container, the latter being illustrated in broken lines and forming no part of the claimed design;

FIG. 2 is a perspective view, greatly enlarged, of the cap of FIG. 1, and illustrating a locking tab thereof in a raised, unlocking position;

FIG. 3 is a fragmentary perspective view, thereof; illustrating the locking tab of the cap in a depressed, locked position;

FIG. 4 is a top plan view thereof;

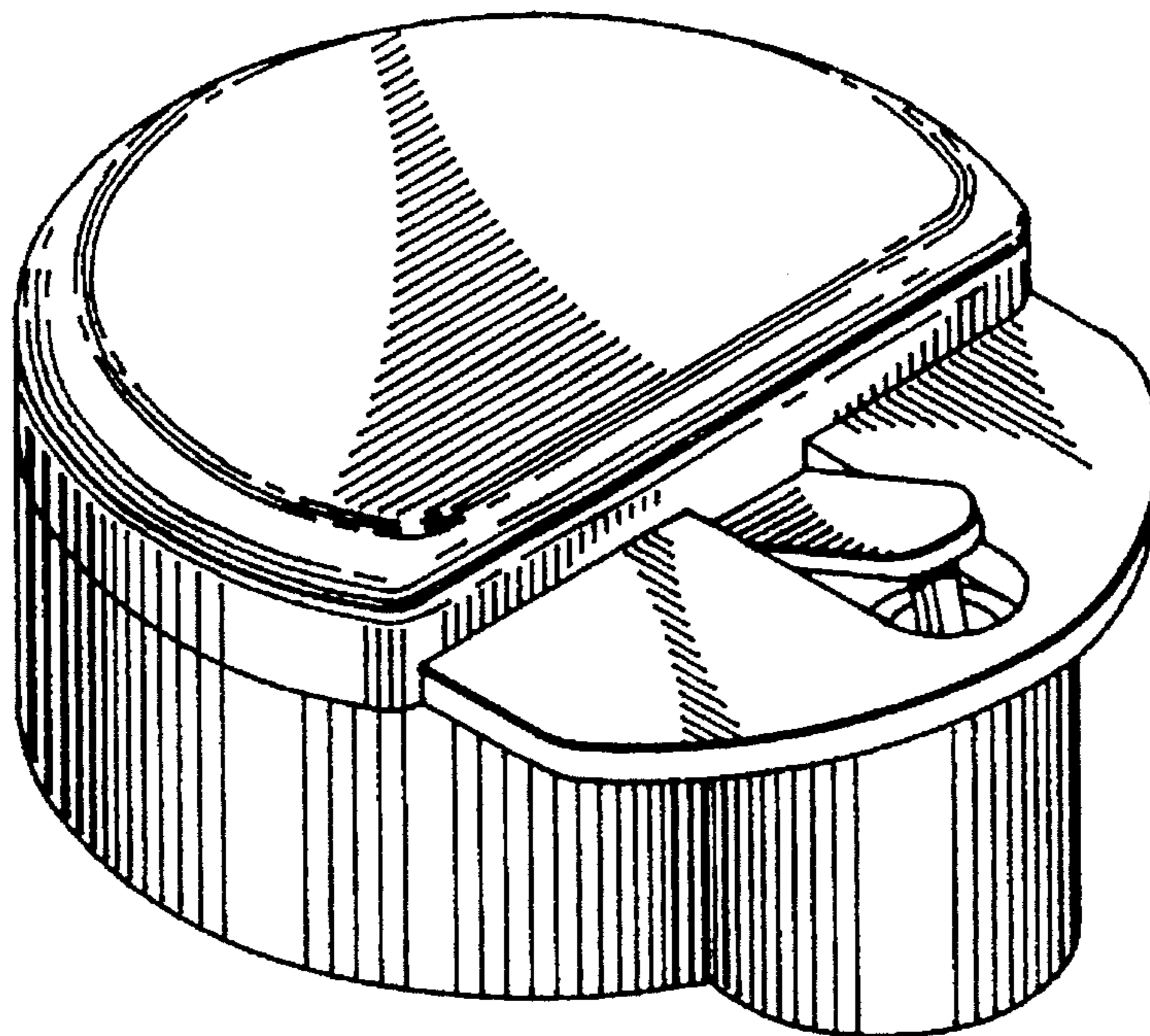
FIG. 5 is a side elevation thereof; the opposite side being a mirror image thereof;

FIG. 6 is a bottom plan view thereof;

FIG. 7 is a front elevation thereof; and,

FIG. 8 is a rear elevation thereof.

1 Claim, 2 Drawing Sheets



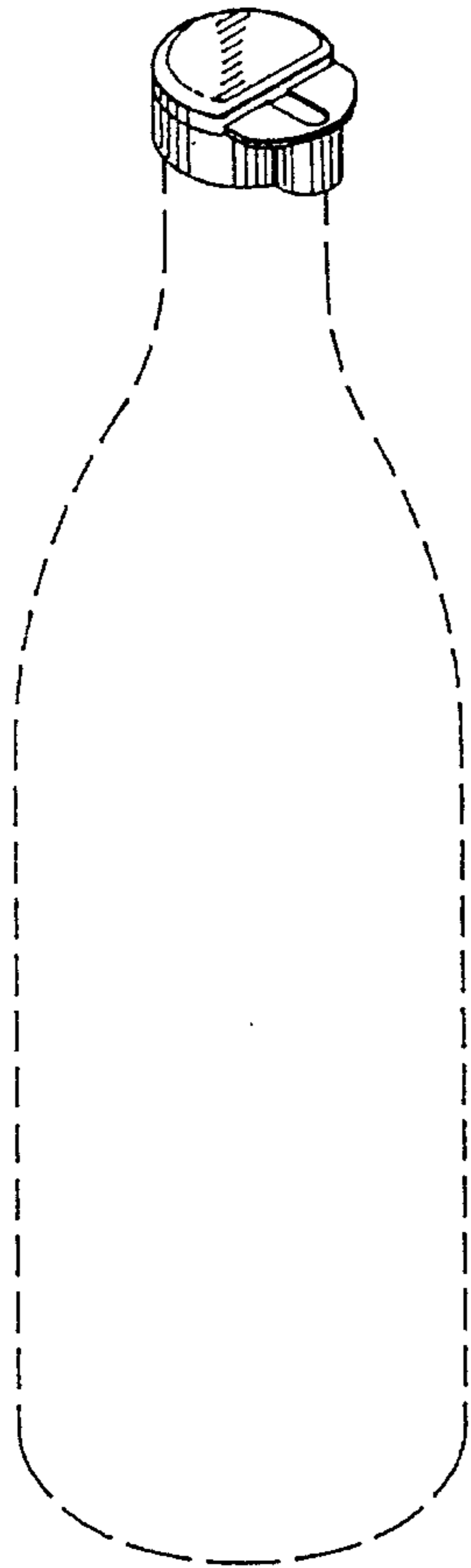


FIG. 1

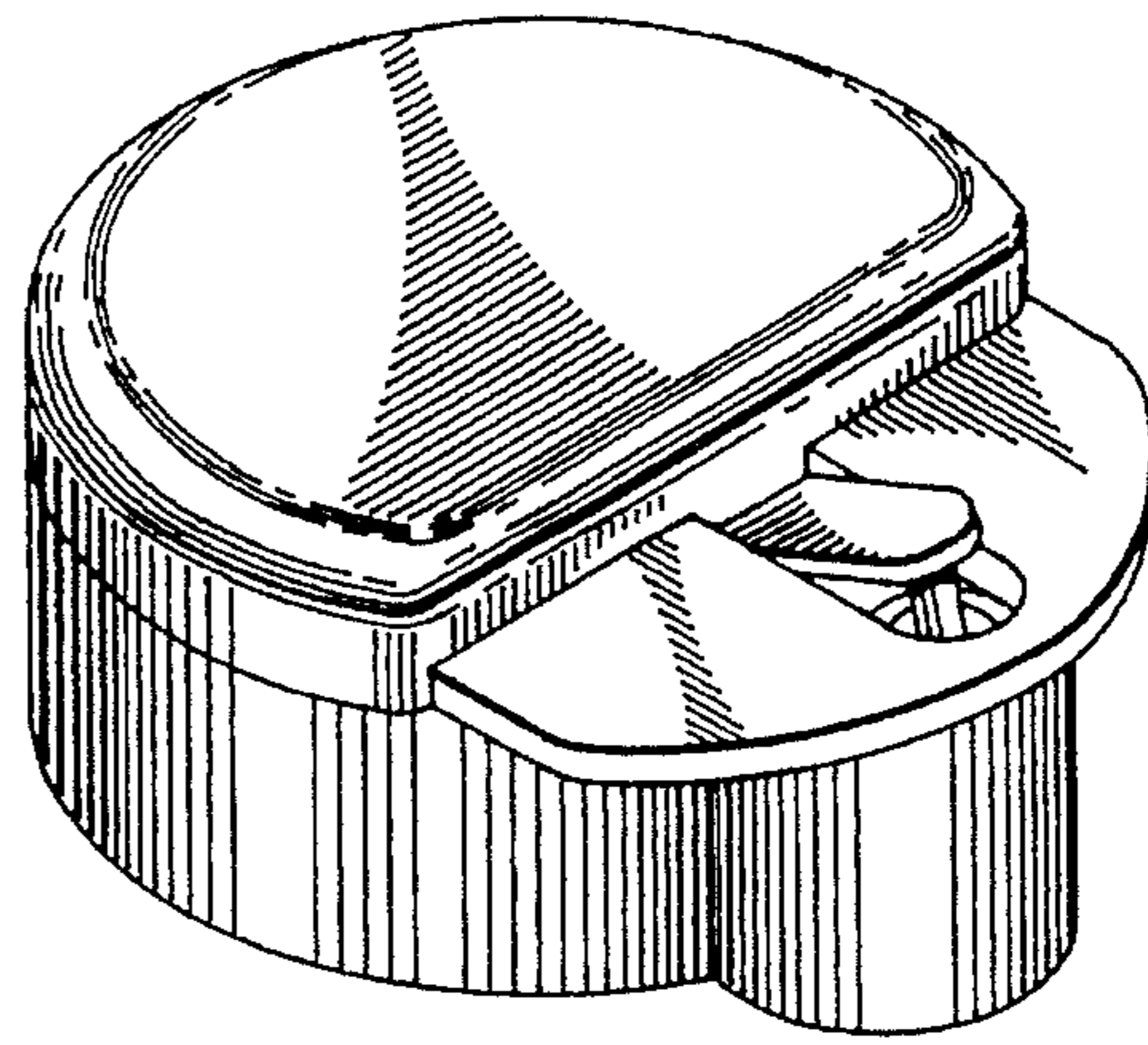


FIG. 2

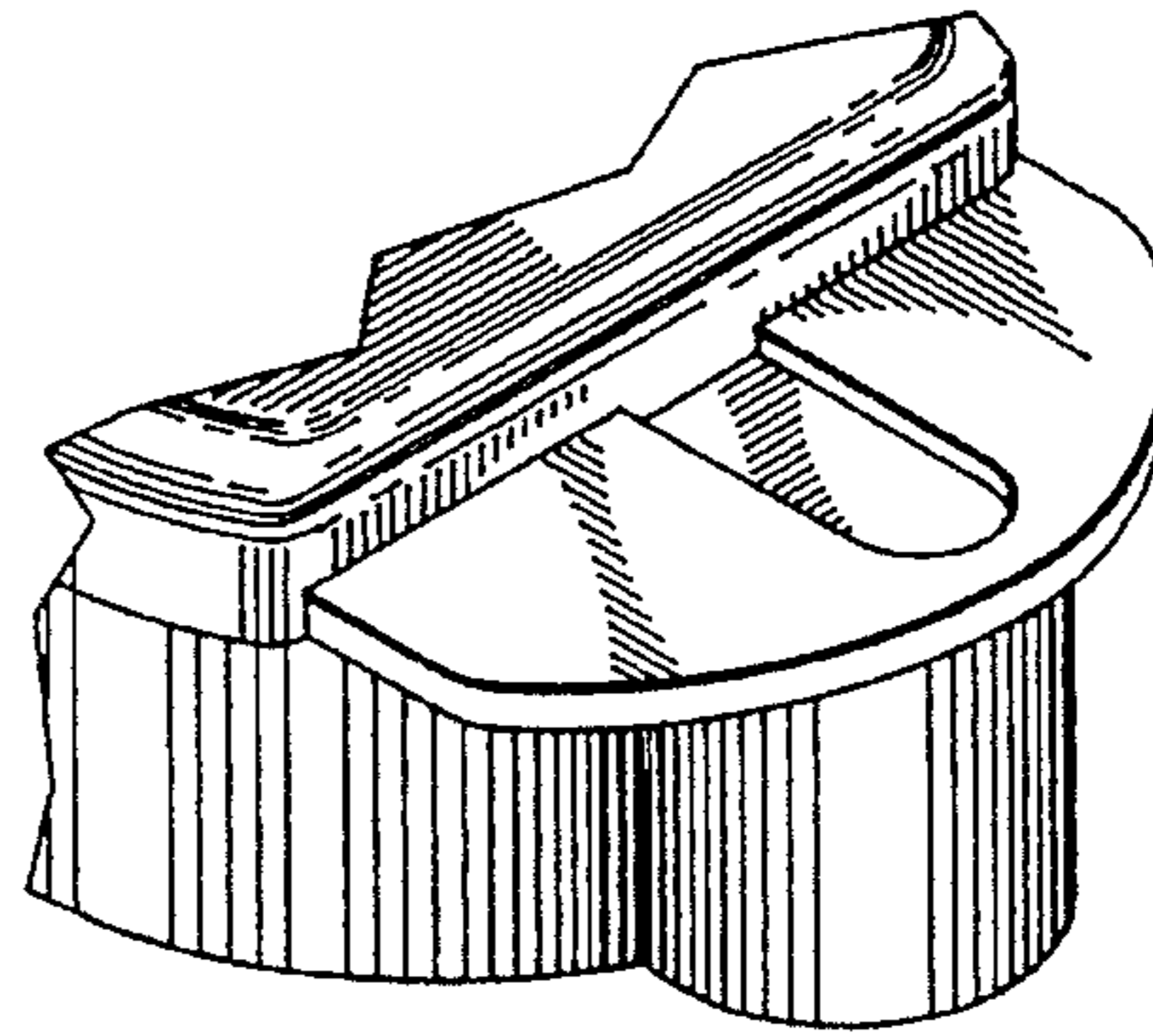


FIG. 3

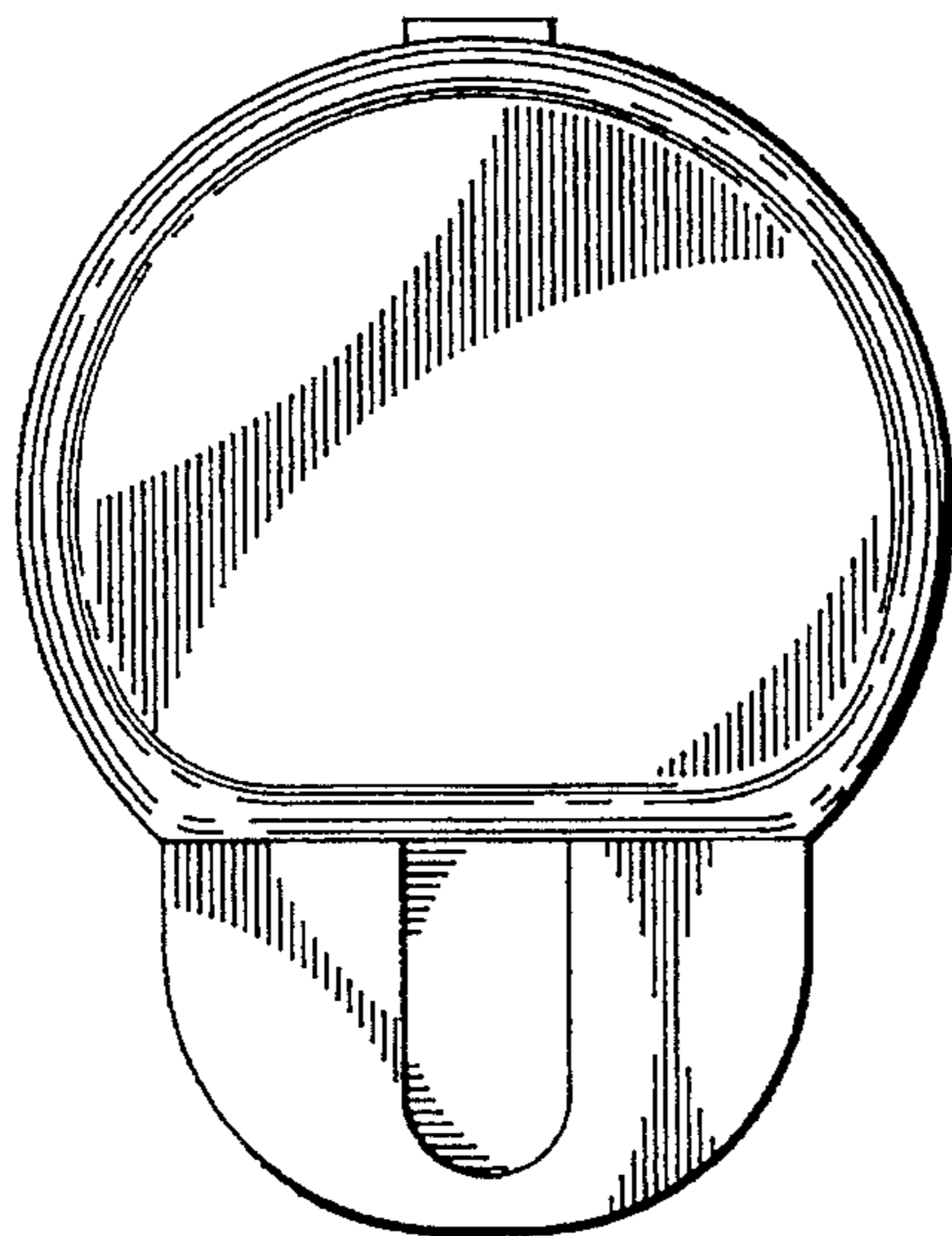


FIG. 4

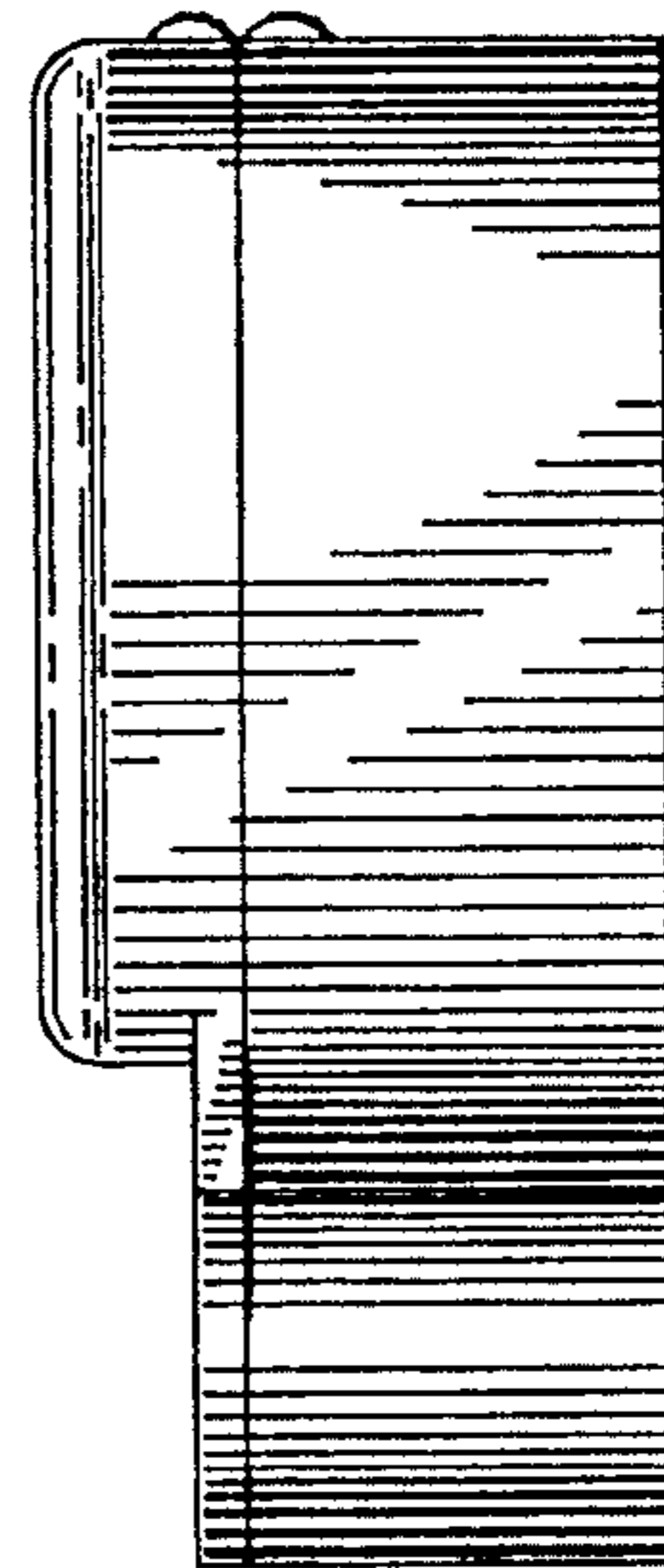


FIG. 5

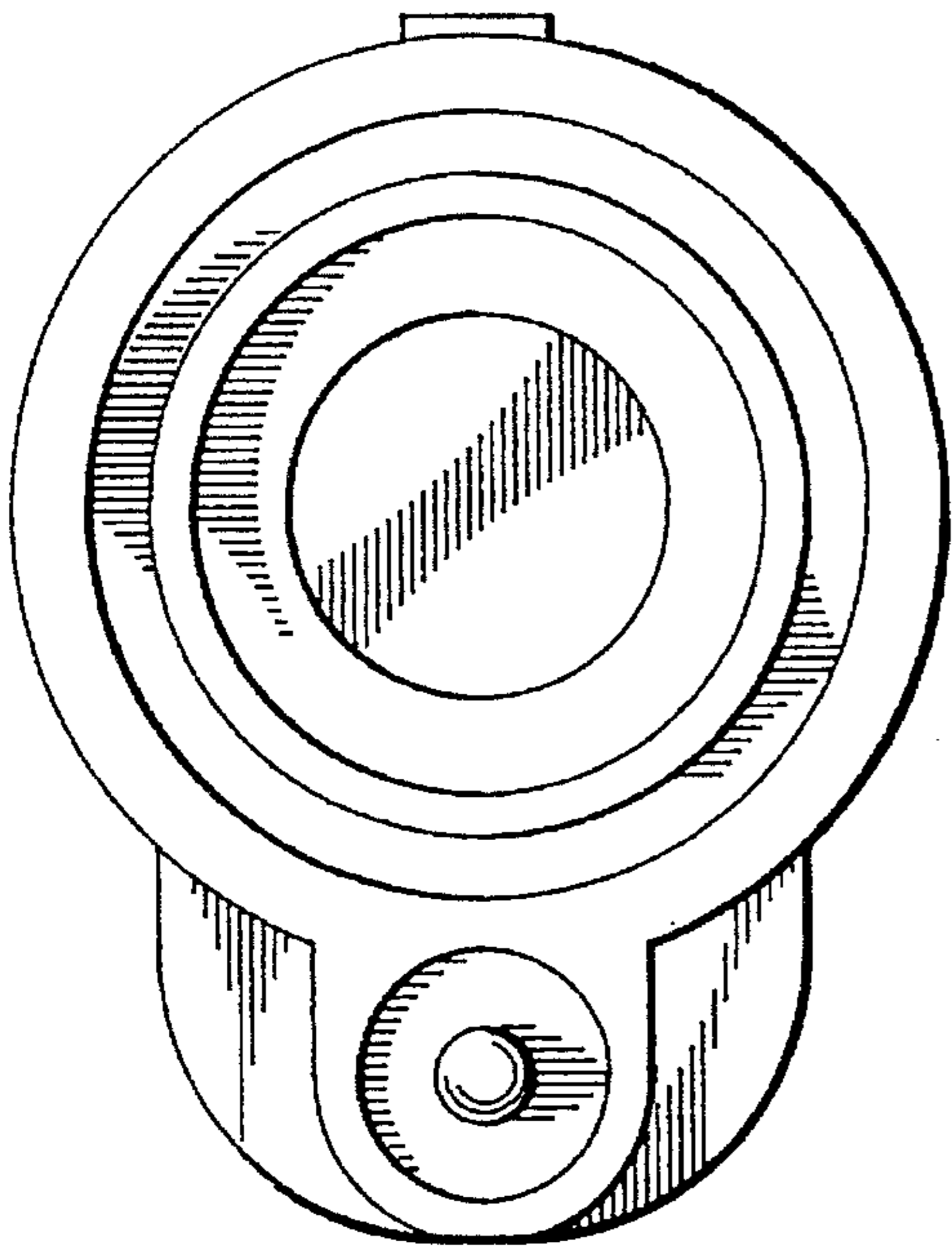


FIG. 6

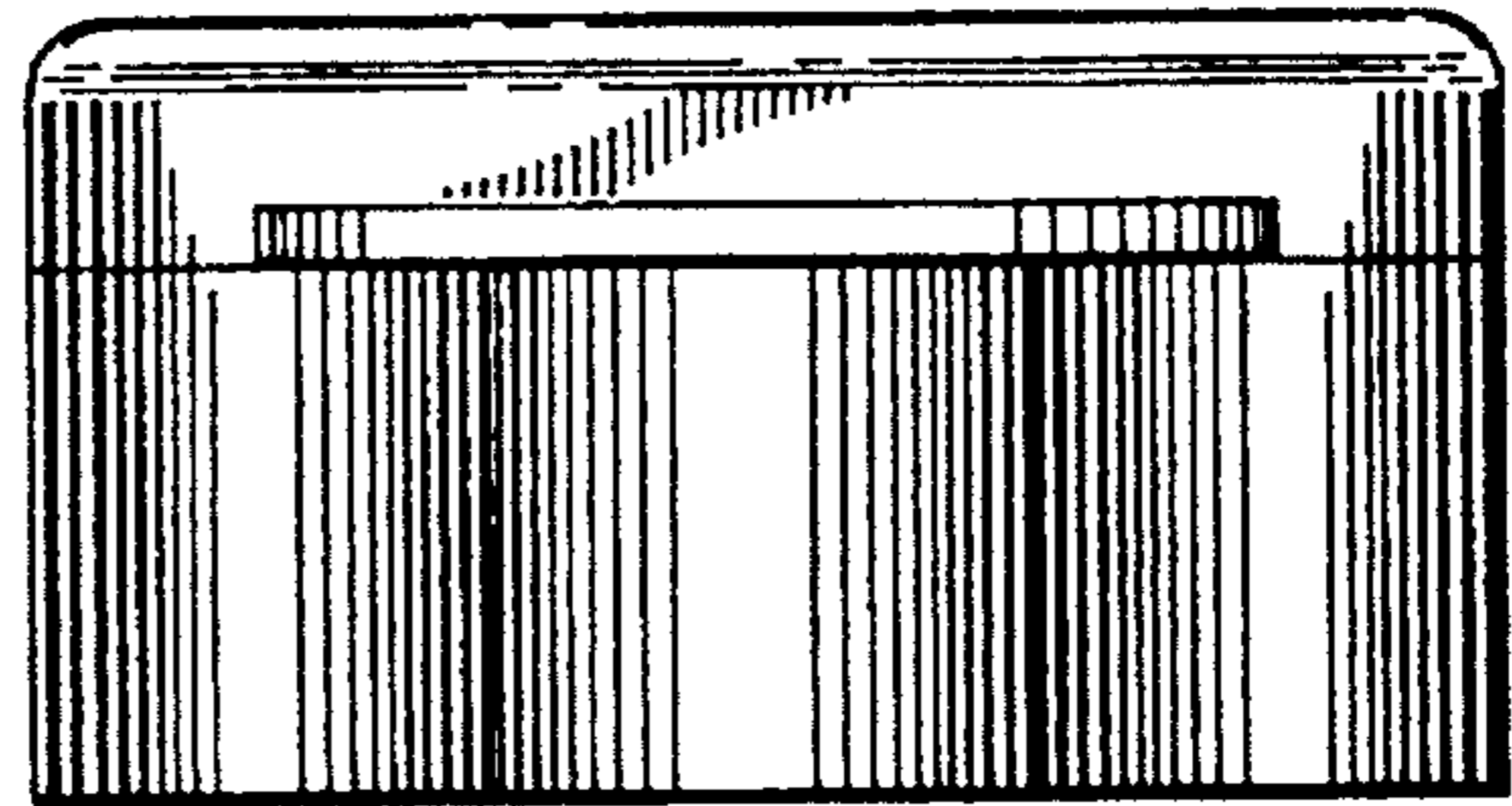


FIG. 7

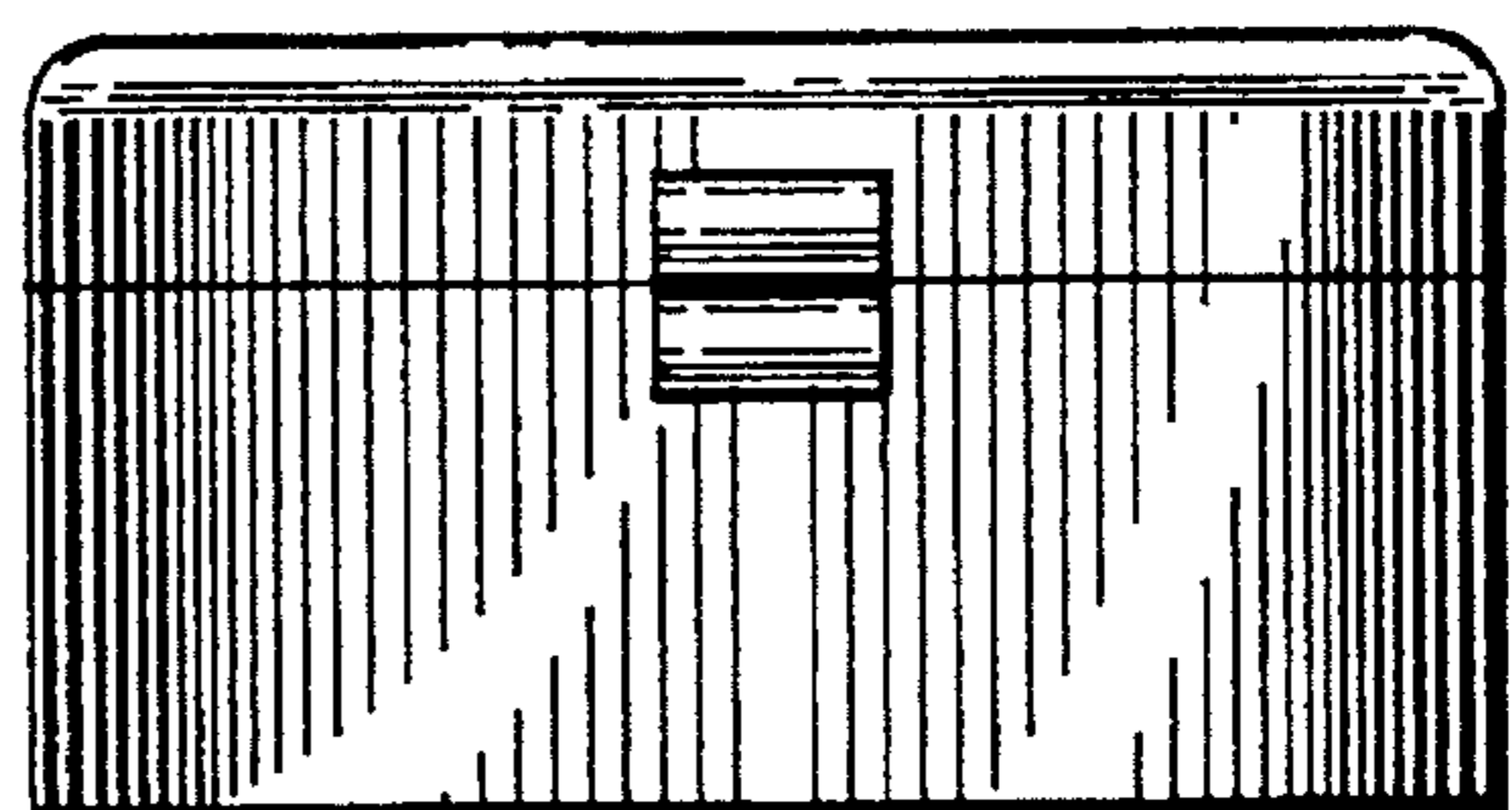


FIG. 8