



US00D377756S

United States Patent [19]
Beardsley

[11] **Patent Number: Des. 377,756**

[45] **Date of Patent: **Feb. 4, 1997**

[54] **PORTABLE LIQUID CONTAINER**

[76] Inventor: **James E. Beardsley**, 2241 12th St.,
Wyandotte, Mich. 48192-4103

[**] Term: **14 Years**

[21] Appl. No.: **42,400**

[22] Filed: **Aug. 8, 1995**

[52] U.S. Cl. **D9/337**

[58] **Field of Search** D9/337, 300, 500,
D9/503, 504, 516, 519, 537, 539, 545,
549, 434; D3/202, 215; D12/411; D7/510;
215/371

[56] **References Cited**

U.S. PATENT DOCUMENTS

| | | | | |
|------------|---------|-------------|-------|----------|
| D. 285,186 | 8/1986 | Sinyard | | D12/411 |
| D. 316,389 | 4/1991 | Wood et al. | | D9/337 X |
| D. 351,341 | 10/1994 | Hung | | D3/215 X |
| 3,491,907 | 1/1970 | Eelkema | | 215/383 |
| 3,688,935 | 9/1972 | Owen et al. | | 215/397 |

| | | | | |
|-----------|--------|---------------|-------|-----------|
| 4,572,851 | 2/1986 | Fortuna | | 215/382 X |
| 4,667,359 | 5/1987 | Polotti | | 215/390 X |
| 5,285,933 | 2/1994 | Gentes et al. | | 222/210 X |

OTHER PUBLICATIONS

Bicycling, Dec. 1985, p. 10, "Pro Cage" Bottle Holder.

Primary Examiner—Prabhakar G. Deshmukh

Assistant Examiner—Cheri Cohen

Attorney, Agent, or Firm—Harpman & Harpman

[57] **CLAIM**

The ornamental design for a portable liquid container, as shown and described.

DESCRIPTION

FIG. 1 is a perspective view of a portable liquid container showing my new design;

FIG. 2 is a side elevational view thereof, the opposite side being a mirror image;

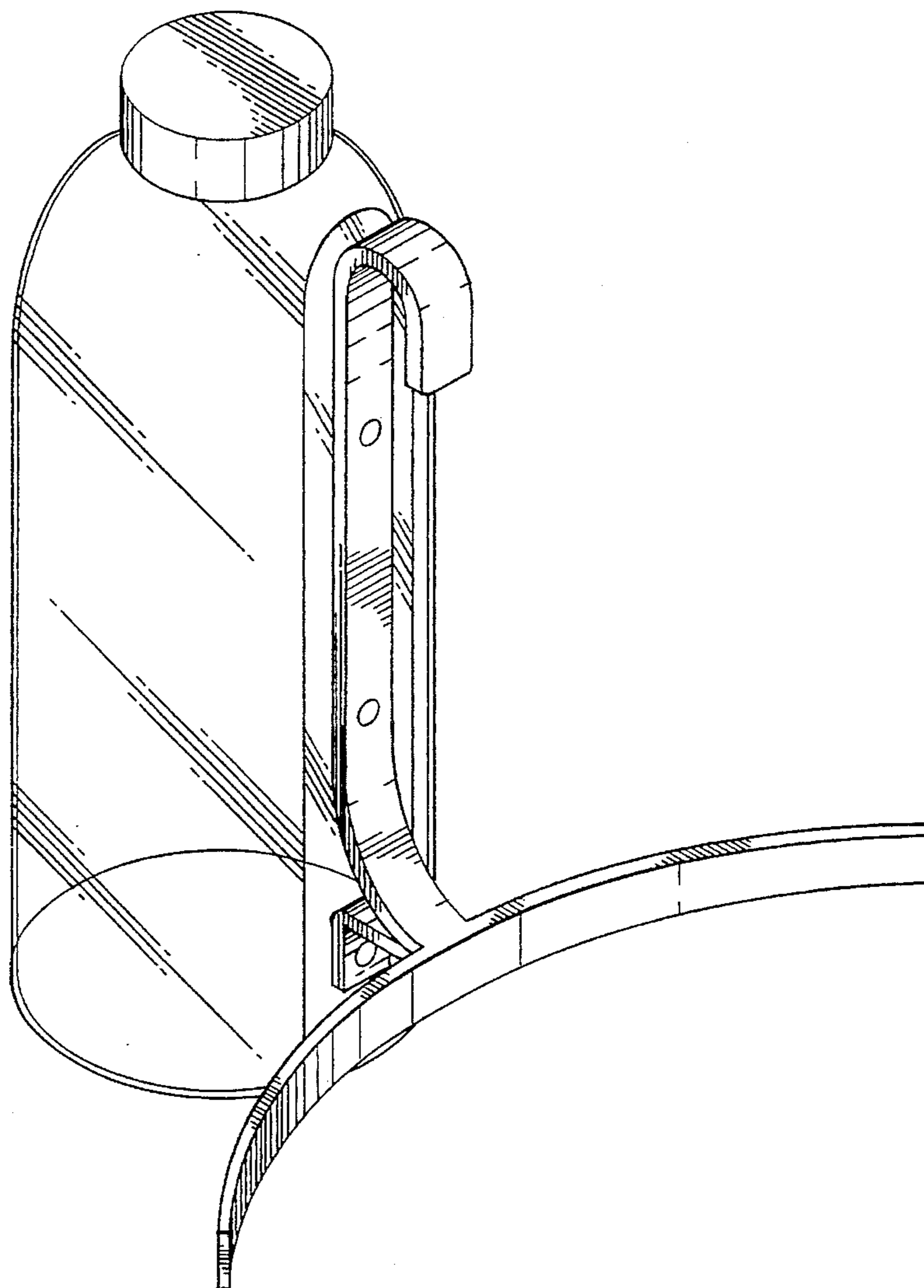
FIG. 3 is a front elevational view thereof;

FIG. 4 is a rear elevational view thereof;

FIG. 5 is a top plan view thereof; and,

FIG. 6 is a bottom plan view thereof.

1 Claim, 3 Drawing Sheets



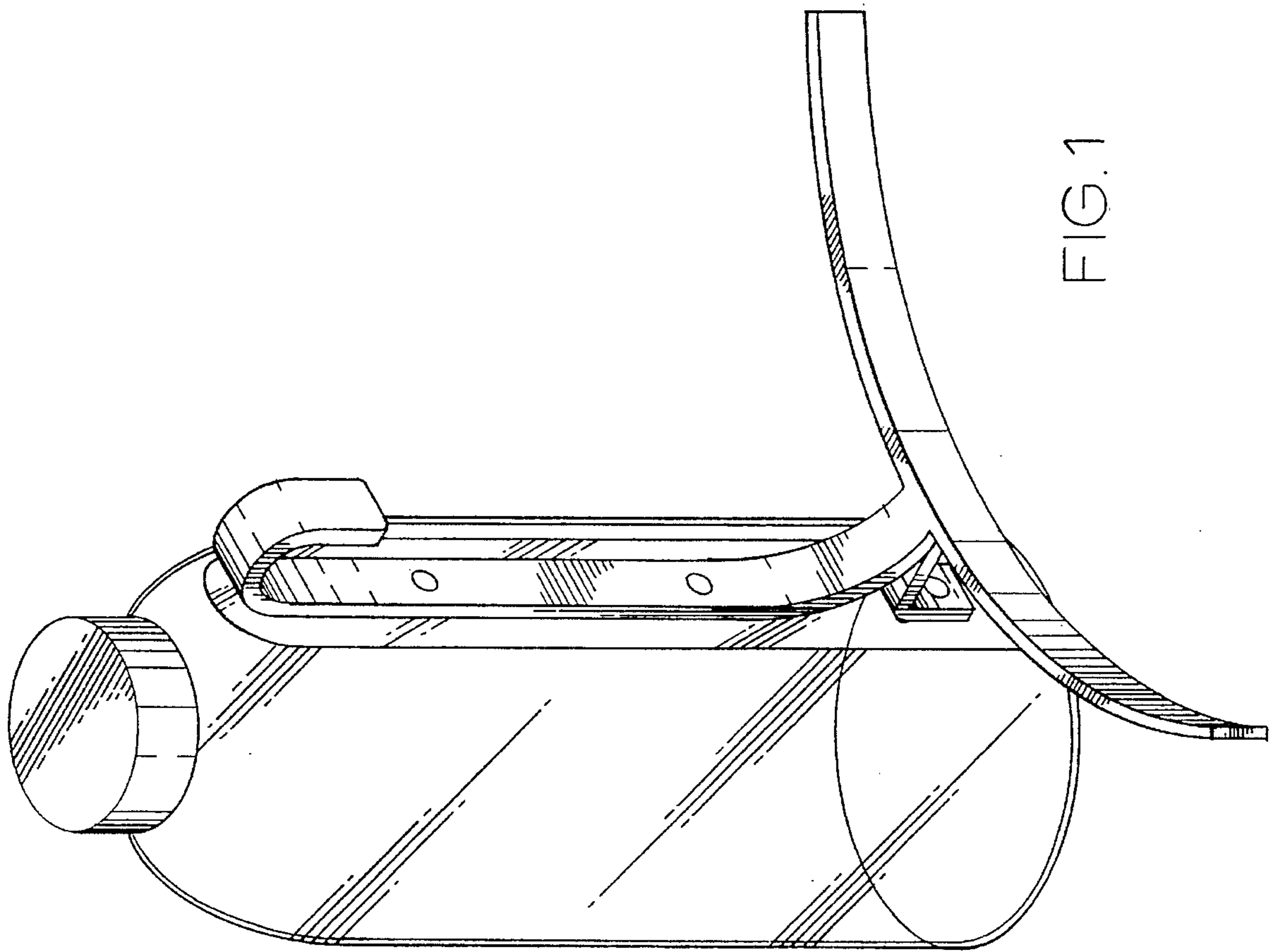


FIG. 1

FIG. 2

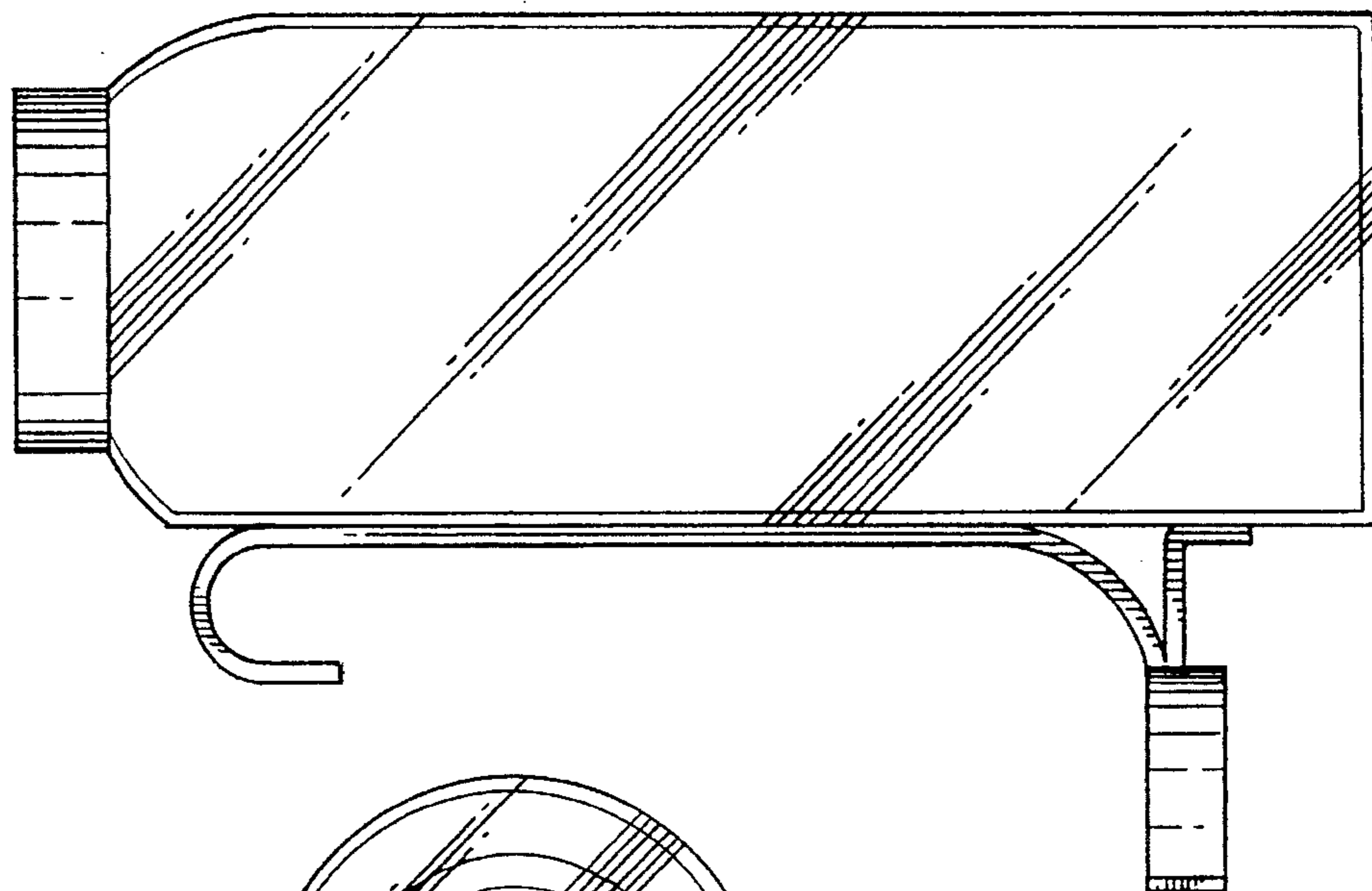


FIG. 6

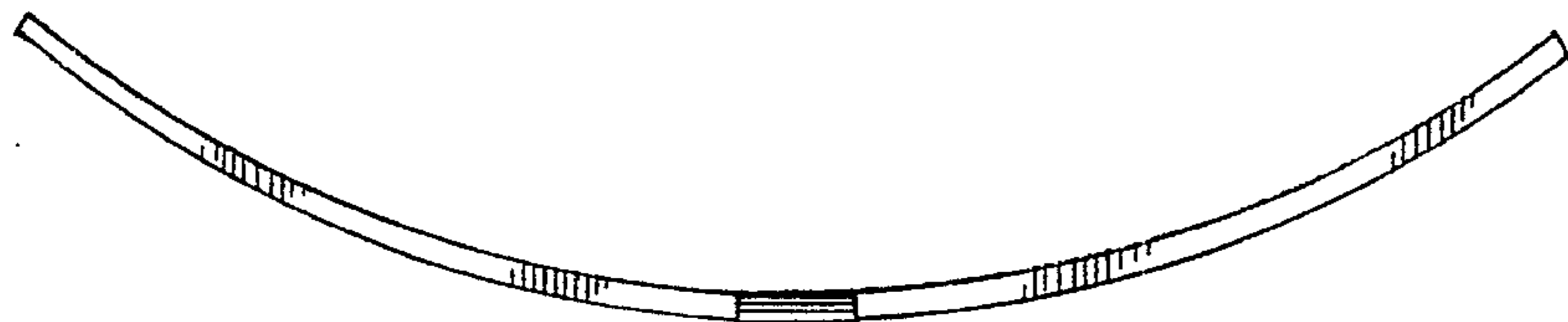
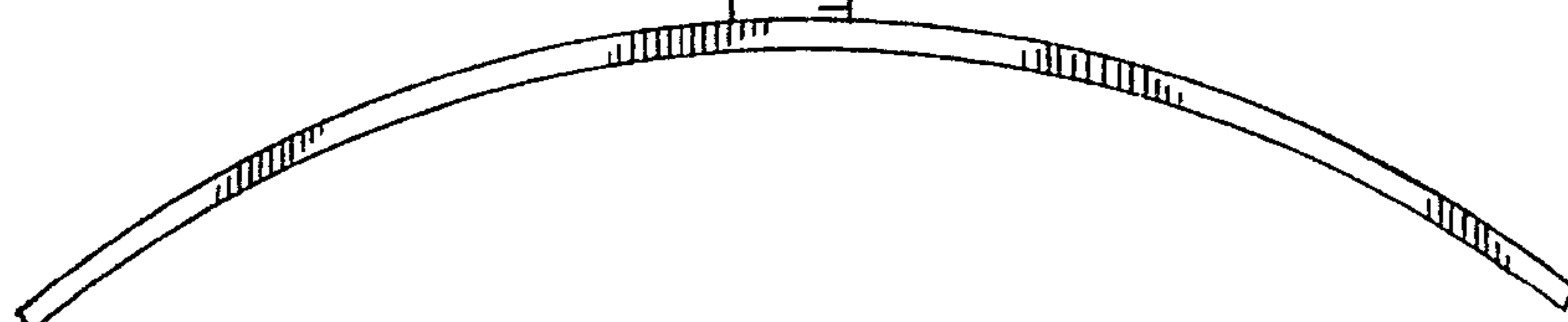
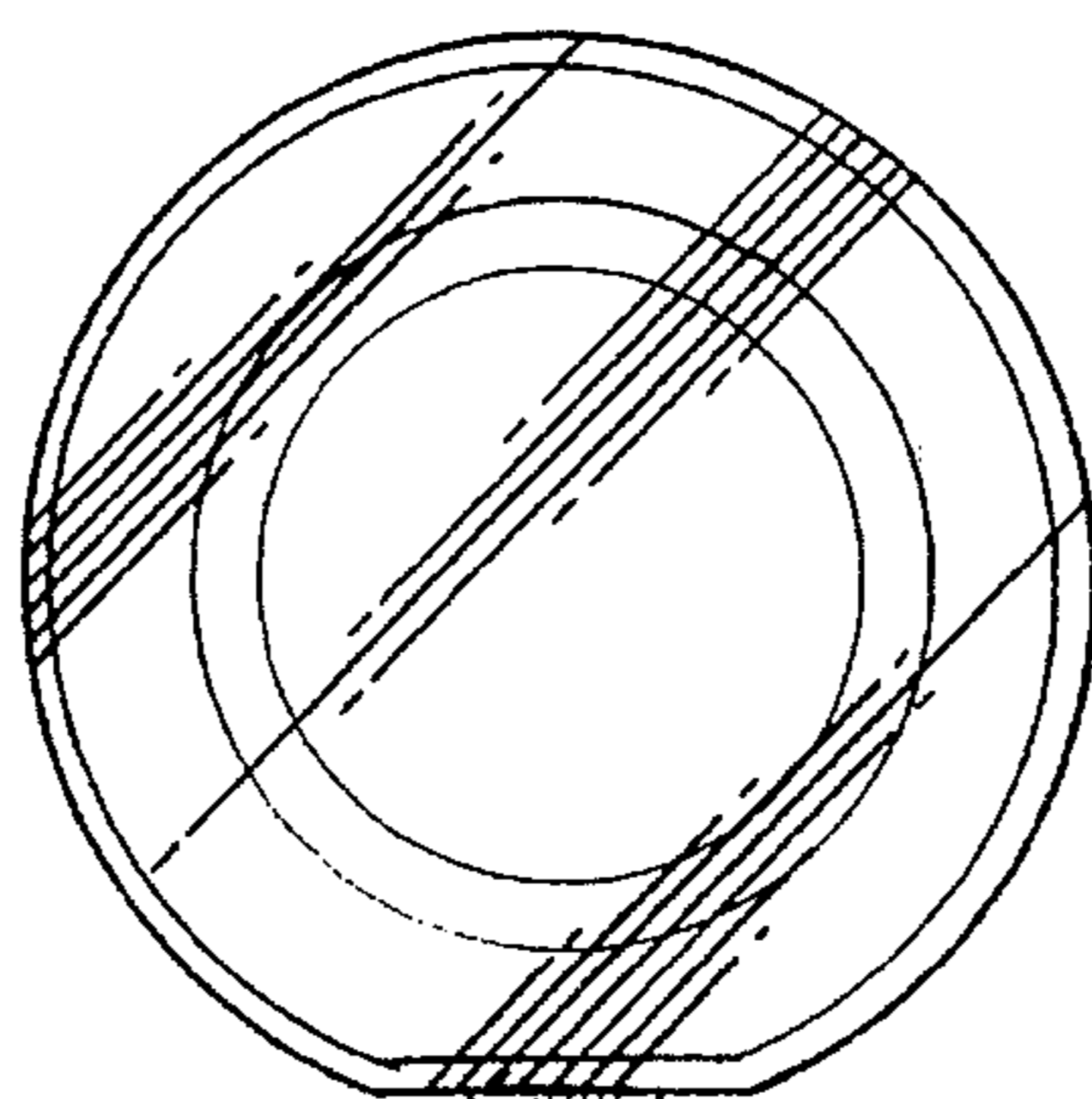


FIG. 5

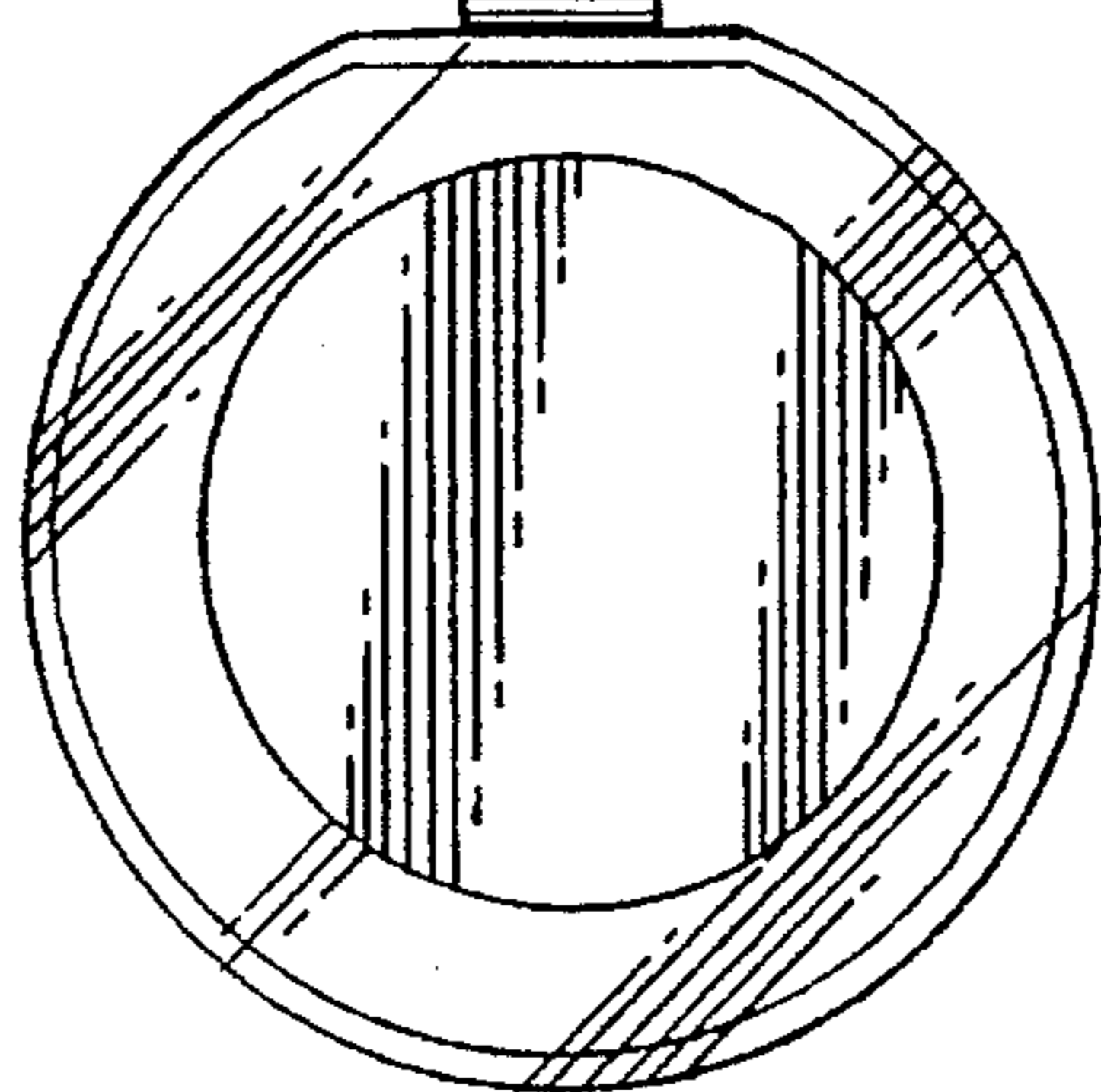


FIG. 4

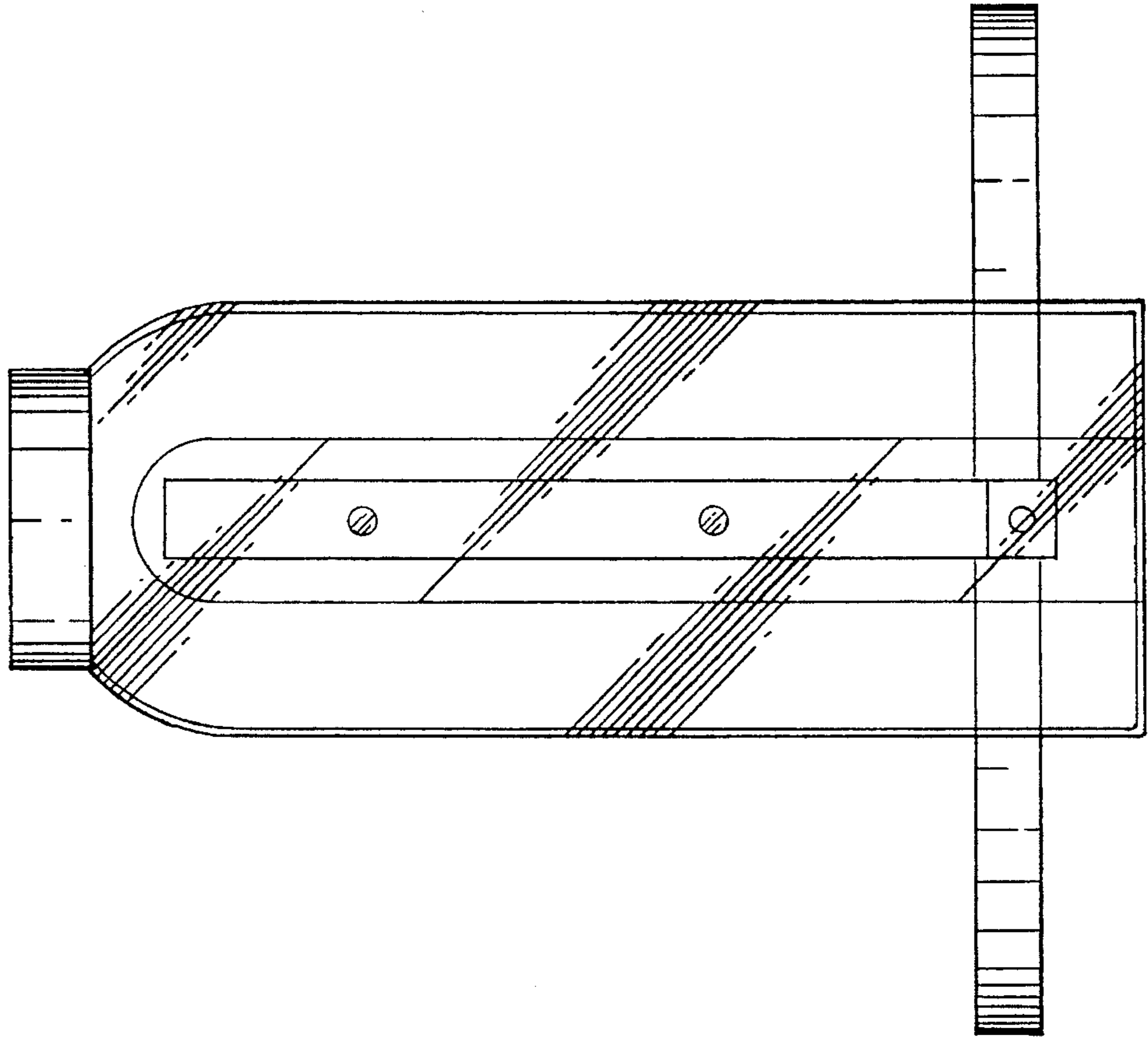


FIG. 3

