



US00D377754S

# United States Patent [19]

Abbott et al.

[11] Patent Number: **Des. 377,754**

[45] Date of Patent: **\*\*Feb. 4, 1997**

[54] **WIPER BLADE ASSEMBLY CLIP**

[75] Inventors: **Barry J. Abbott; Valerie M. Abbott,**  
both of Belgrave; **Stephen J. Clarke;**  
**Dino Donchi,** both of Ringwood, all of  
Australia

[73] Assignee: **Clean Screen Wipers Pty Ltd,**  
Boronia, Australia

[\*\*] Term: **14 Years**

[21] Appl. No.: **40,139**

[22] Filed: **Jun. 12, 1995**

[52] U.S. Cl. .... **D8/395**

[58] Field of Search ..... D8/371, 394-396,  
D8/382; 15/250.454, 250.452; 24/557

[56] **References Cited**

**U.S. PATENT DOCUMENTS**

- D. 112,588 12/1938 Lowen ..... D8/371
- D. 359,726 6/1995 Umeya et al. .... D8/395 X
- 3,626,544 12/1971 Lopez et al. .
- 3,769,653 11/1973 Lopez .
- 3,879,794 4/1975 Roberts, Jr. .
- 4,156,951 6/1979 Sharp .
- 4,442,566 4/1984 Sharp .
- 4,566,147 1/1986 Baerenwald et al. .

- 4,583,259 4/1986 Will .
- 5,052,072 10/1991 Chen .
- 5,159,730 11/1992 Radvin ..... 24/557 X
- 5,235,721 8/1993 Chang .

**FOREIGN PATENT DOCUMENTS**

- 0537093 4/1993 European Pat. Off. .

*Primary Examiner*—Holly H. Baynham  
*Attorney, Agent, or Firm*—Baker & Daniels

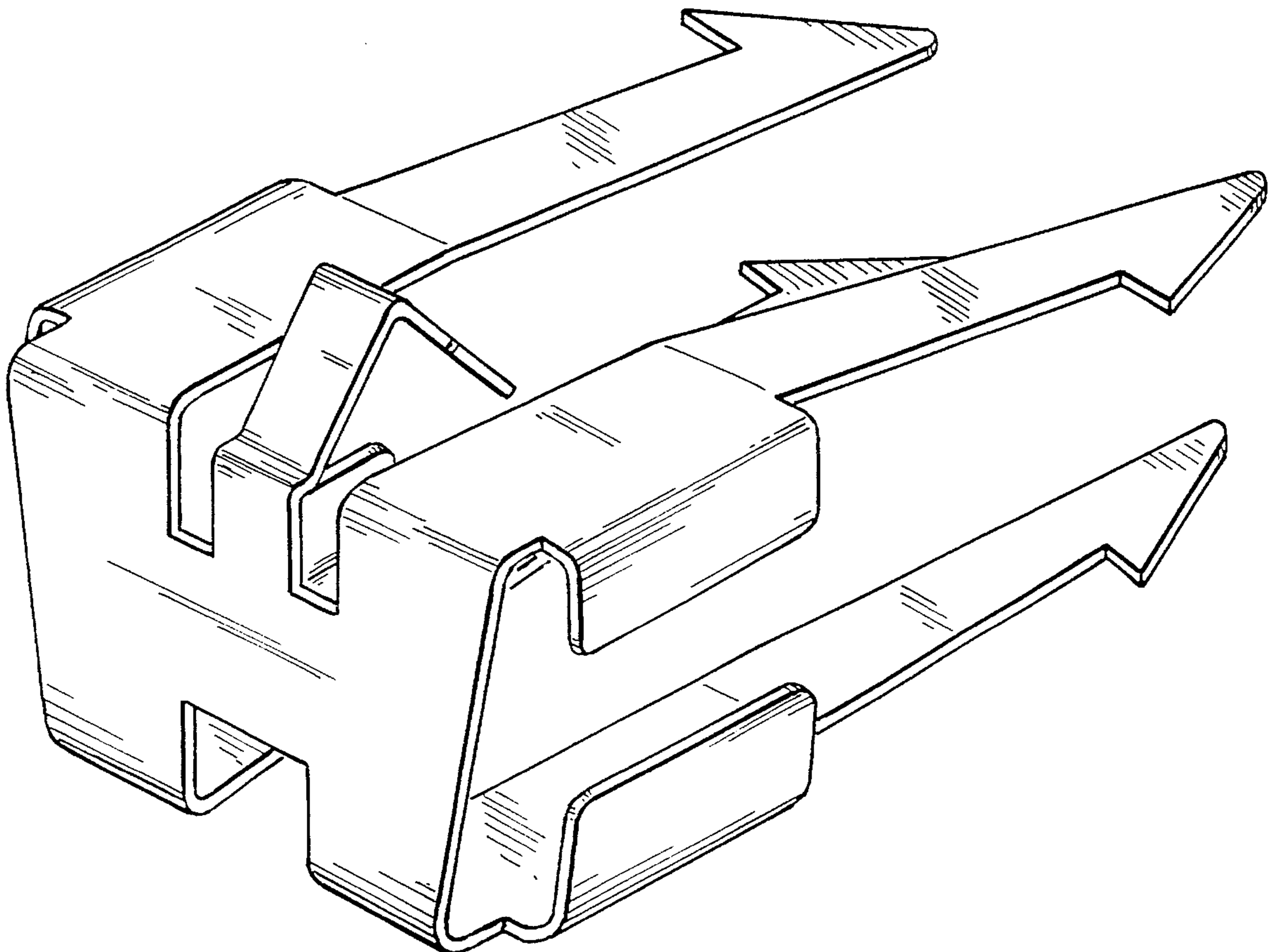
[57] **CLAIM**

The ornamental design for a wiper blade assembly clip, as shown and described.

**DESCRIPTION**

FIG. 1 is a perspective view of a wiper blade assembly clip showing our new design;  
 FIG. 2 is a top view of the wiper blade assembly clip shown in FIG. 1;  
 FIG. 3 is a side view of the wiper blade assembly clip shown in FIG. 1 with the opposite side being a mirror image;  
 FIG. 4 is a front view of the wiper blade assembly clip shown in FIG. 1; and,  
 FIG. 5 is a rear view of the wiper blade assembly clip shown in FIG. 1.

**1 Claim, 4 Drawing Sheets**



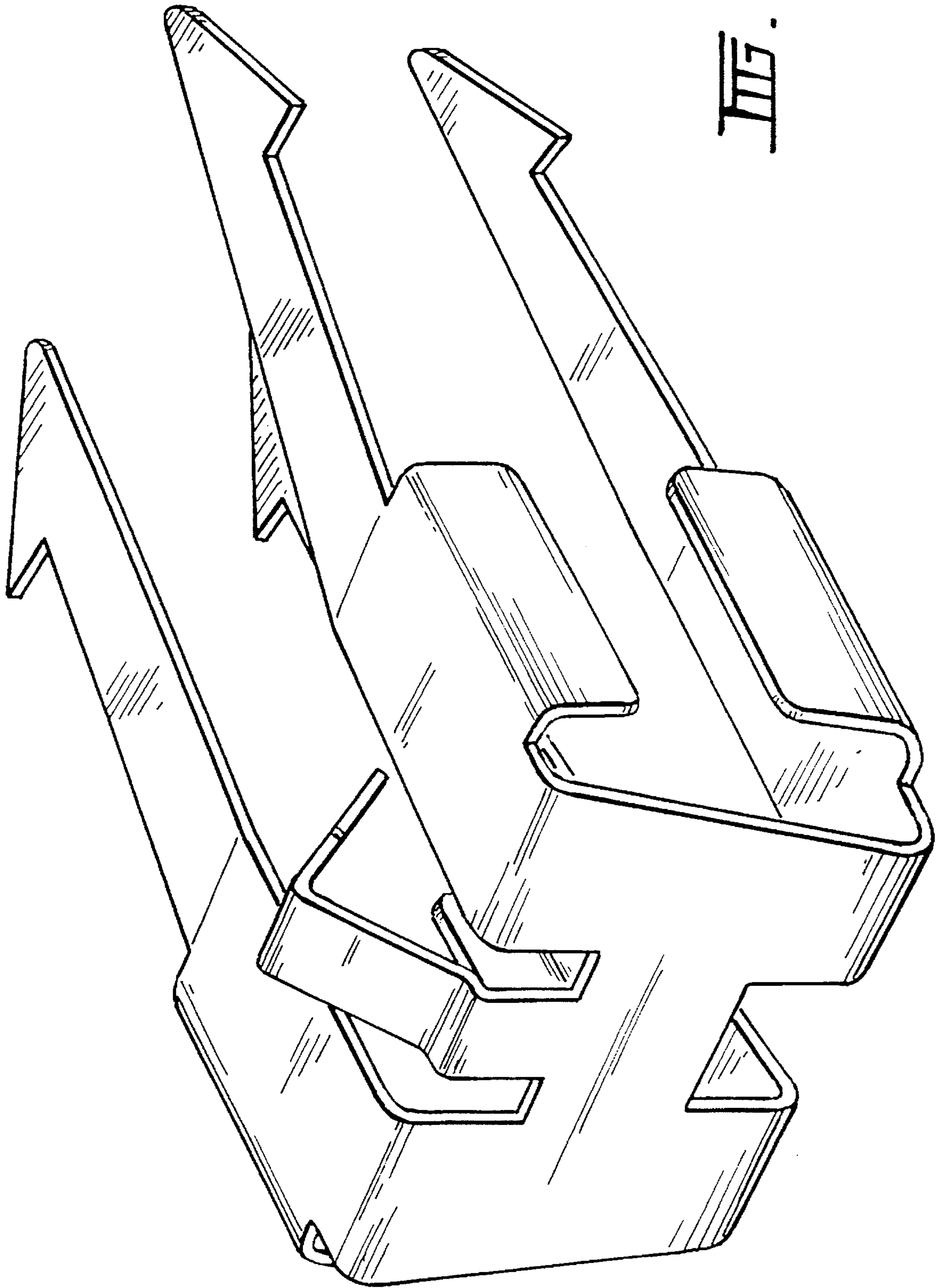
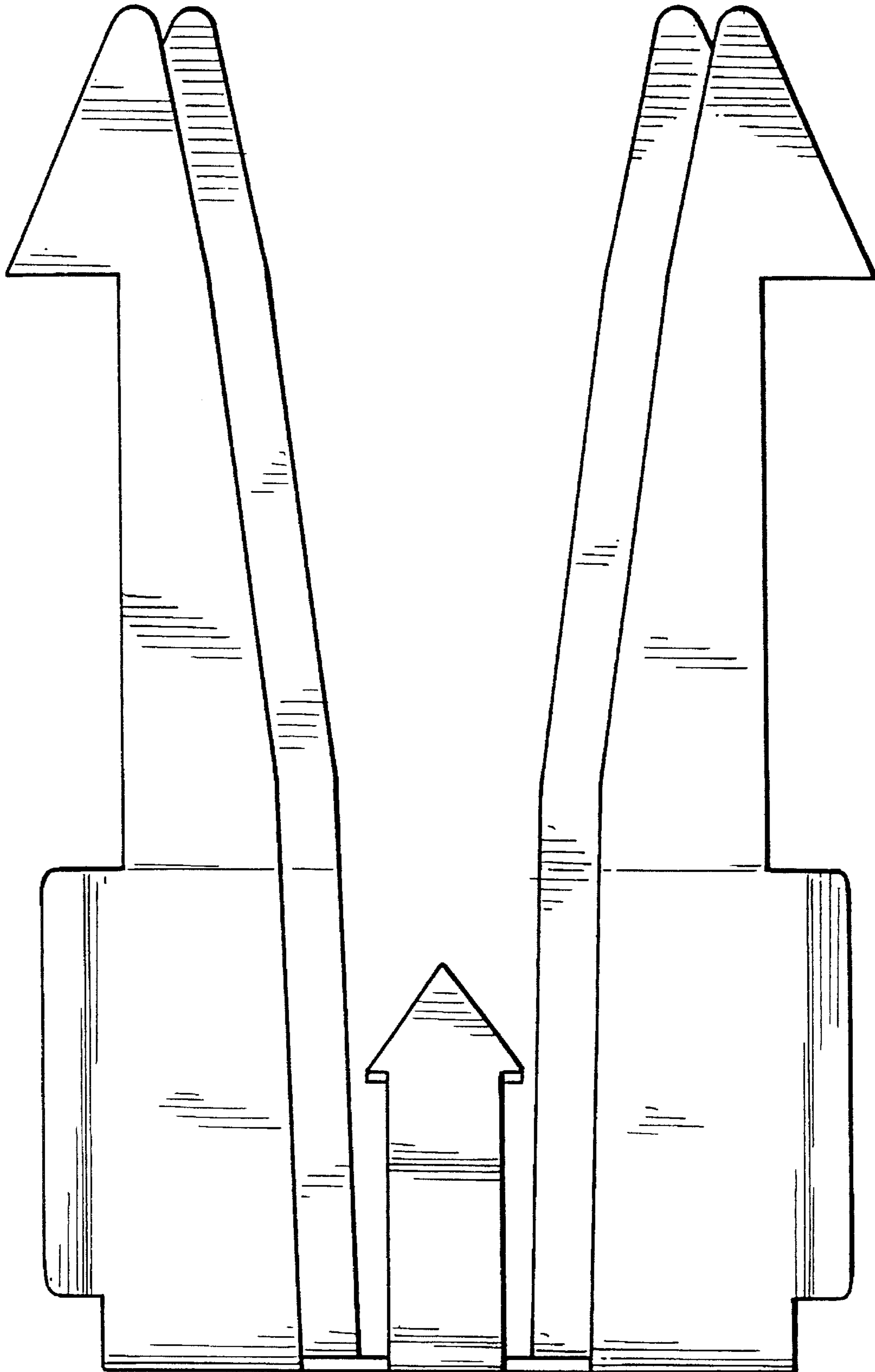


FIG. 1.



III-2.

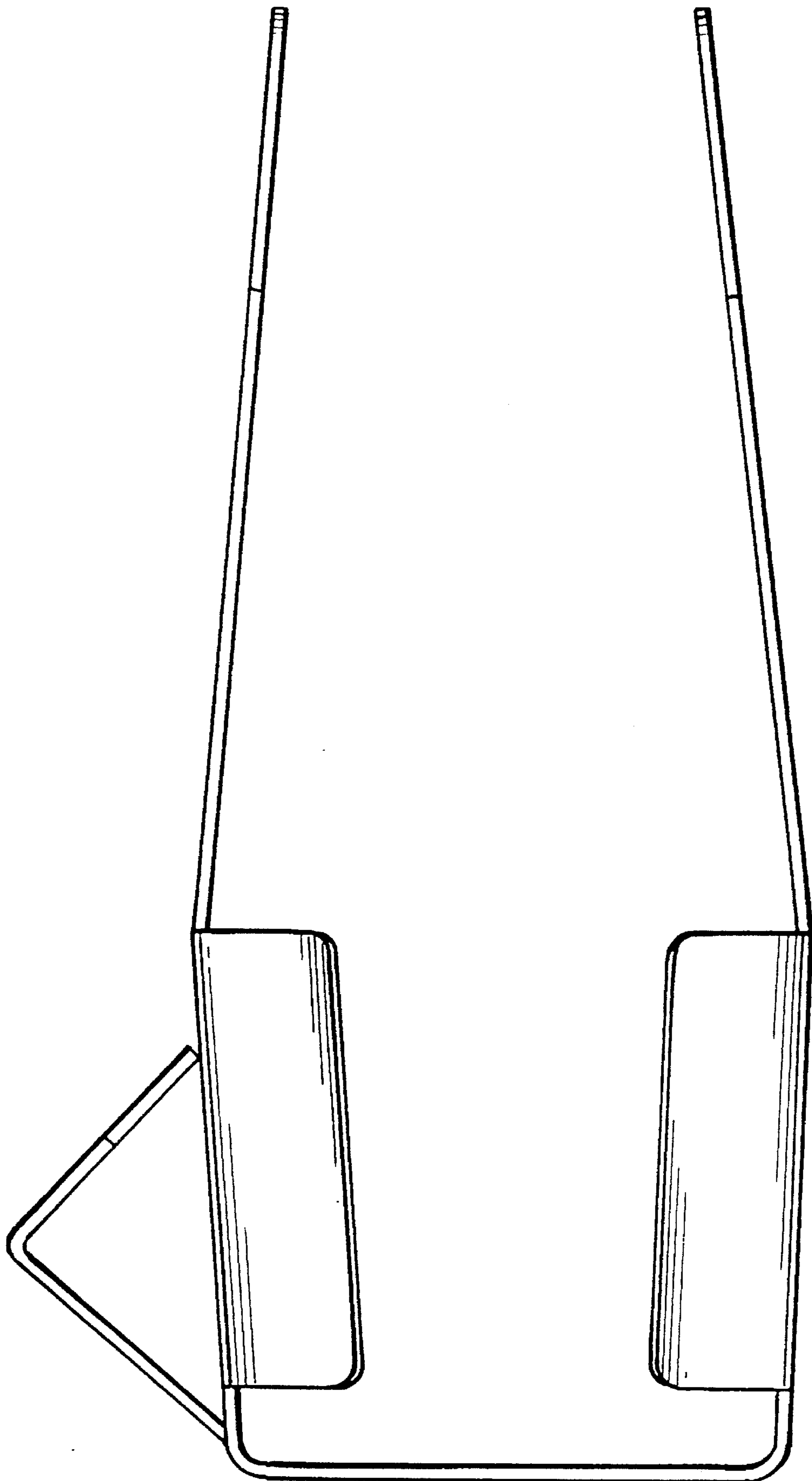


FIG. 3.

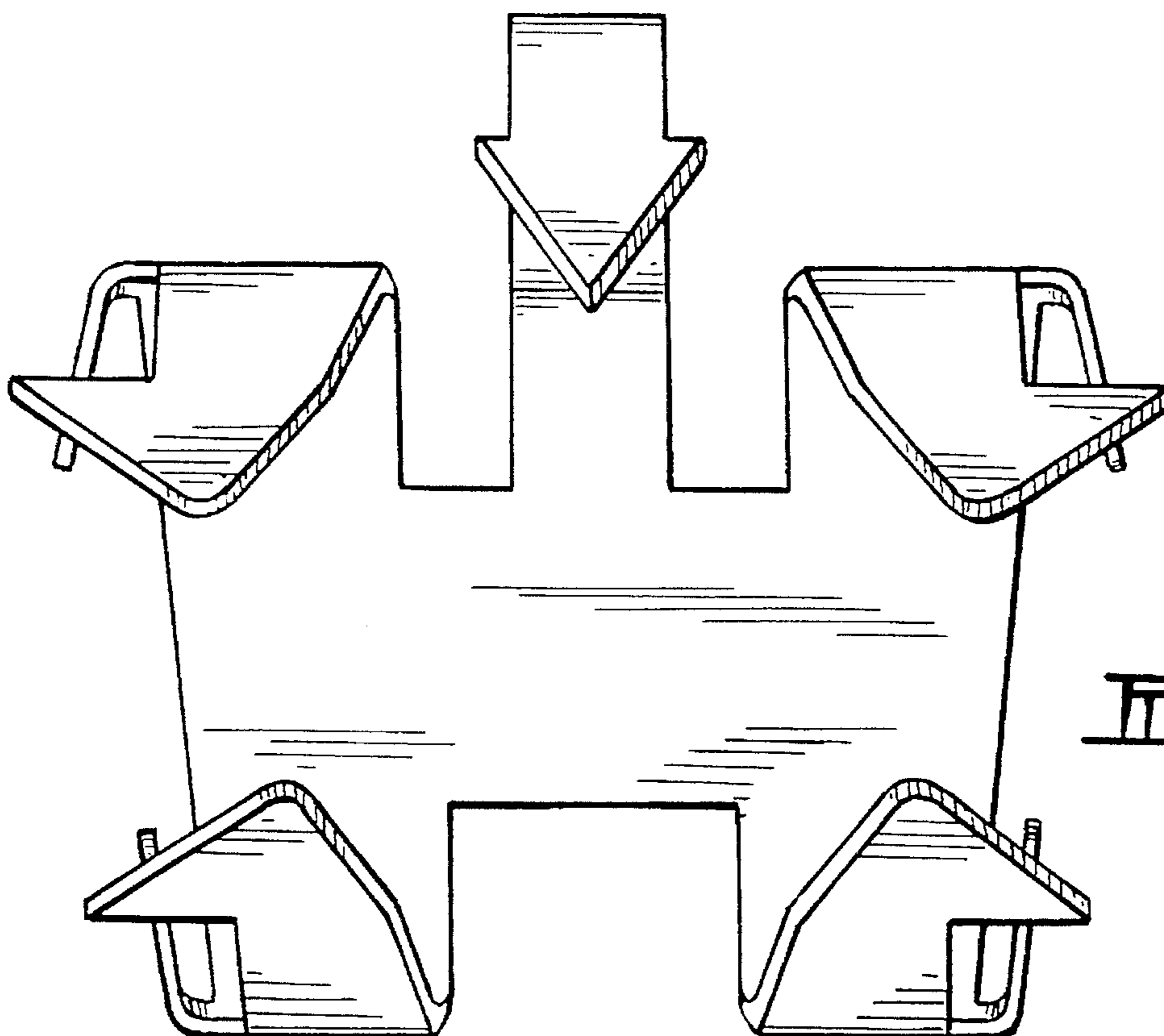


FIG. 4.

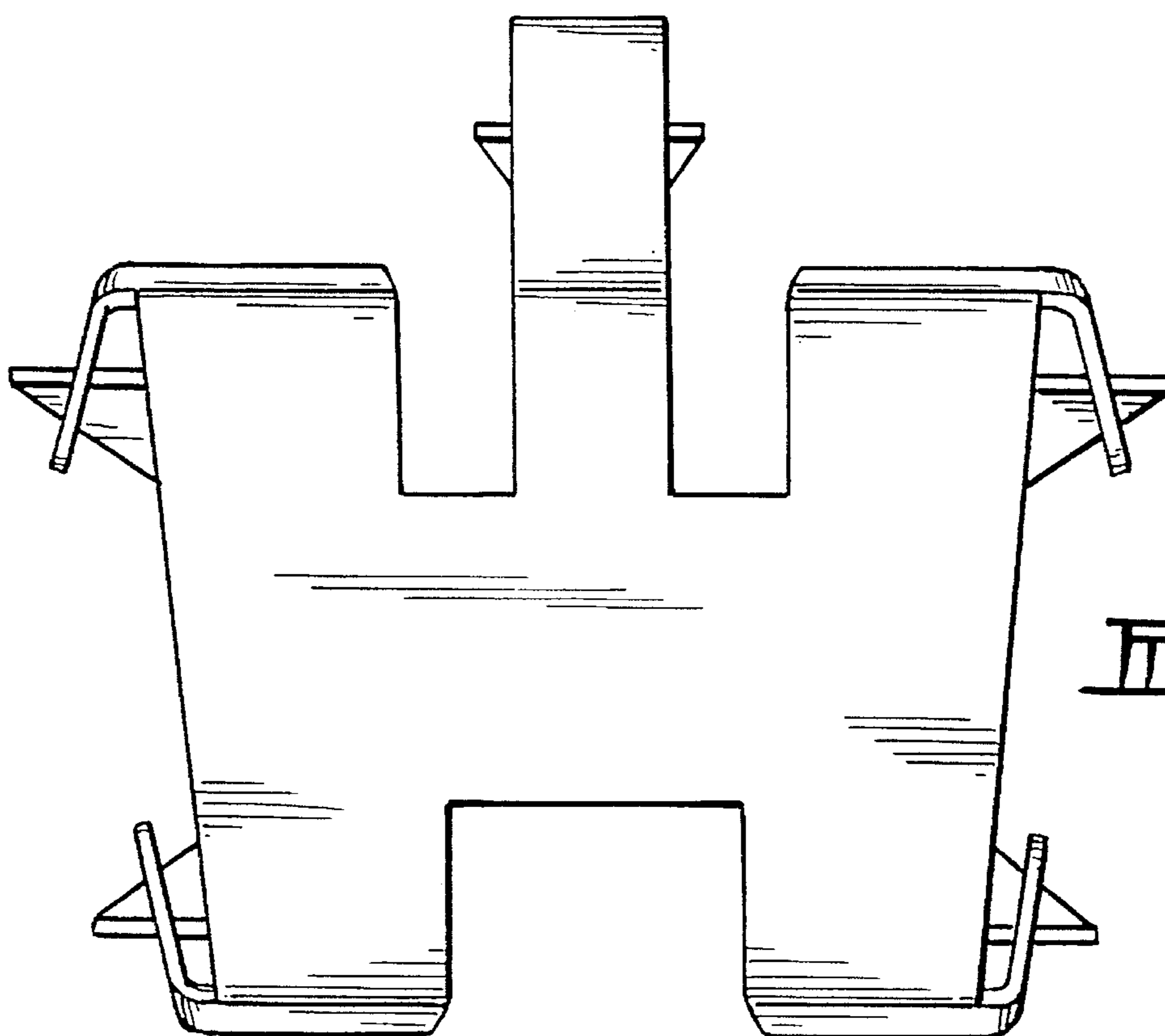


FIG. 5.