



US00D377753S

United States Patent [19]

Meadows

[11] Patent Number: **Des. 377,753**

[45] Date of Patent: ****Feb. 4, 1997**

[54] PAINT CAN CADDY

[76] Inventor: **Robert S. Meadows**, 2410 Massey Rd., DeRidder, La. 70634

[**] Term: **14 Years**

[21] Appl. No.: **53,132**

[22] Filed: **Apr. 15, 1996**

[52] U.S. Cl. **D8/373**

[58] Field of Search D3/229, 228, 215; D9/434; 224/148, 197, 224, 226, 247, 250, 251, 253, 268, 904; D8/370, 373; 248/302

[56] **References Cited**

U.S. PATENT DOCUMENTS

D. 296,268	6/1988	Bozarth	D6/513 X
D. 306,507	3/1990	Lund	D8/373 X
D. 306,521	3/1990	Kenney	D3/215
D. 313,742	1/1991	Ruff	D8/373

D. 353,242	12/1994	McCoy, Sr. et al.	D8/373 X
D. 354,430	1/1995	Lawrence et al.	D8/373

Primary Examiner—Doris V. Coles
Assistant Examiner—Catherine R. Oliver
Attorney, Agent, or Firm—John M. Harrison

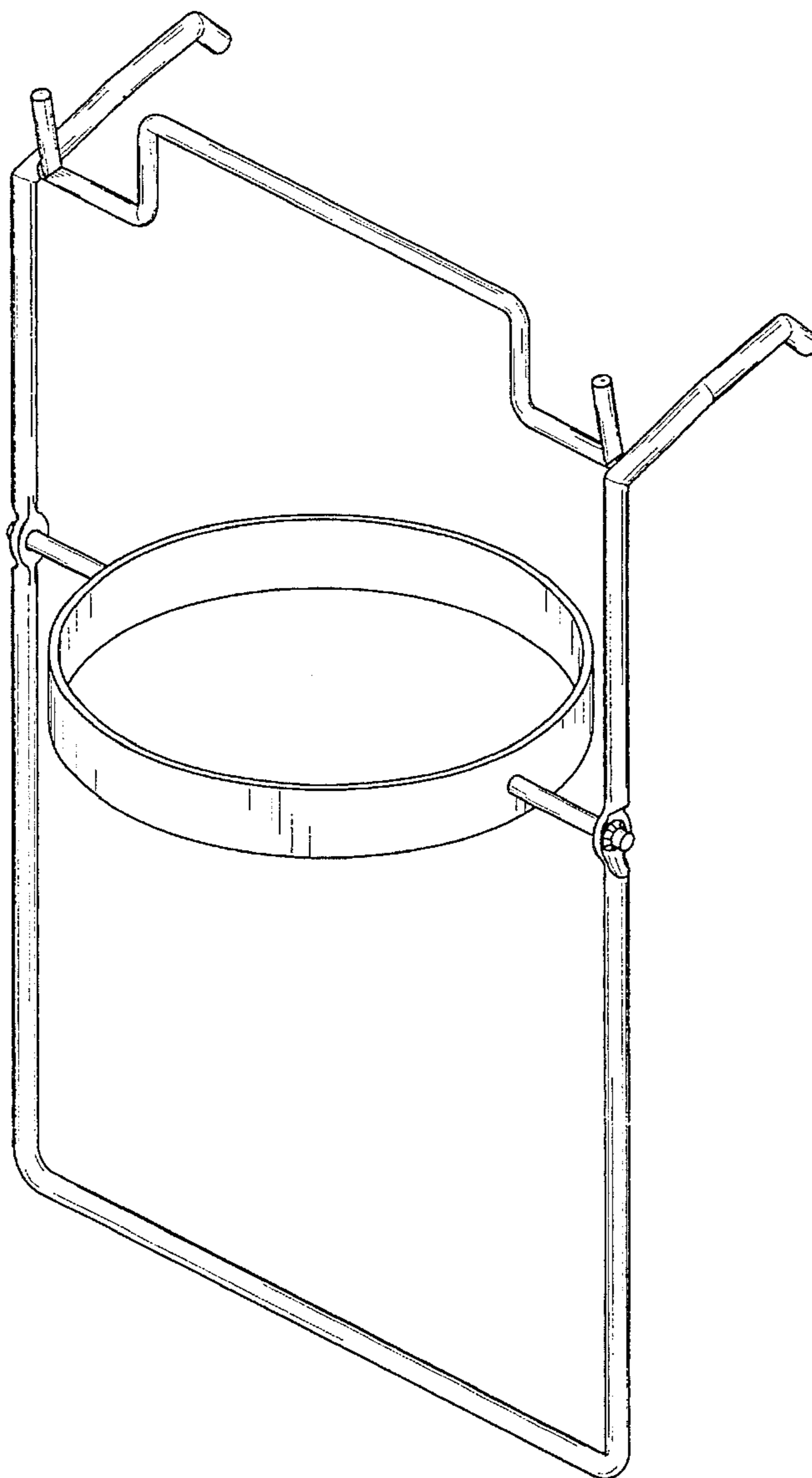
[57] **CLAIM**

The ornamental design for a paint can caddy, as shown and described.

DESCRIPTION

FIG. 1 is a perspective view of the paint can caddy, showing my new design;
FIG. 2 is a right side elevation view, with the left side being a mirror image thereof;
FIG. 3 is a front elevation view thereof; and,
FIG. 4 is a top elevation of the paint can caddy illustrated in FIGS. 1-3.

1 Claim, 2 Drawing Sheets



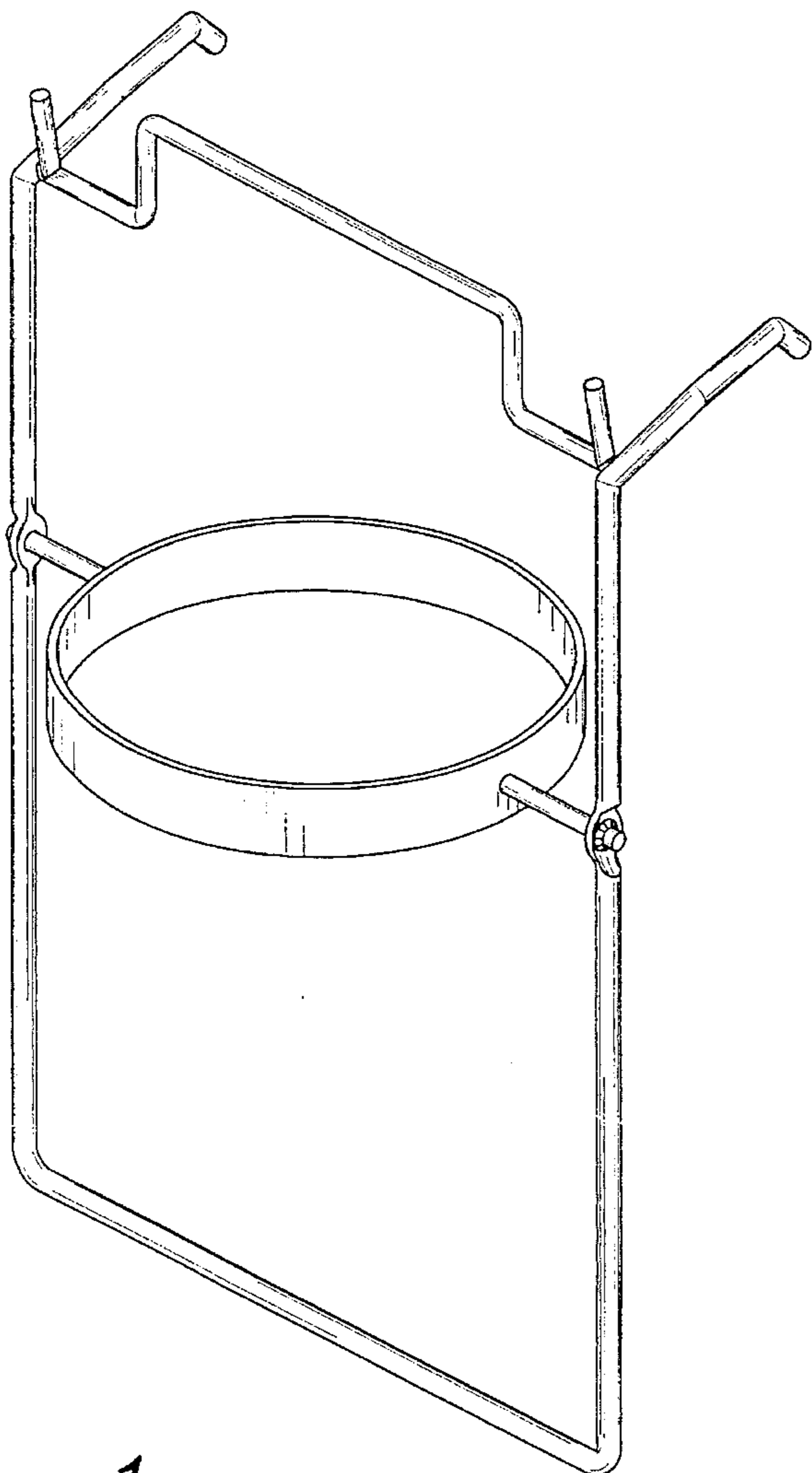


Fig. 1

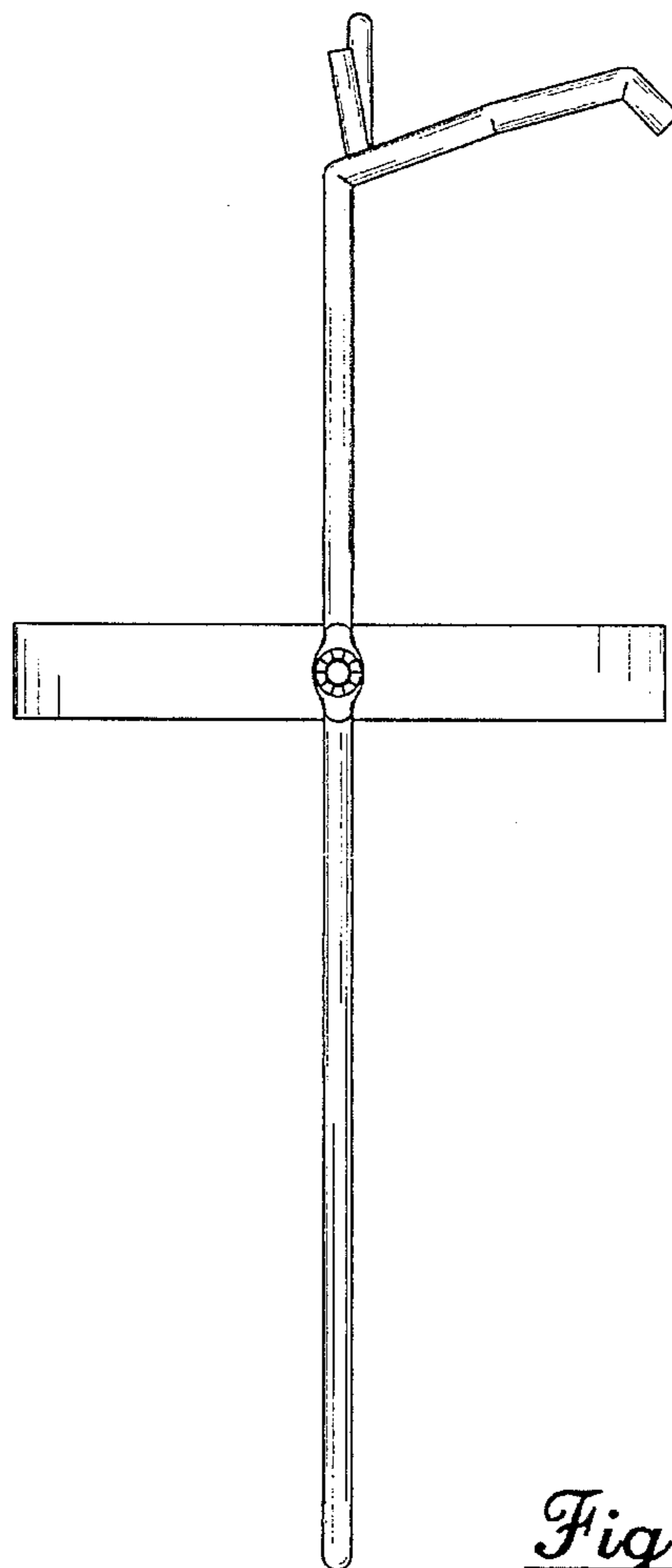


Fig. 2

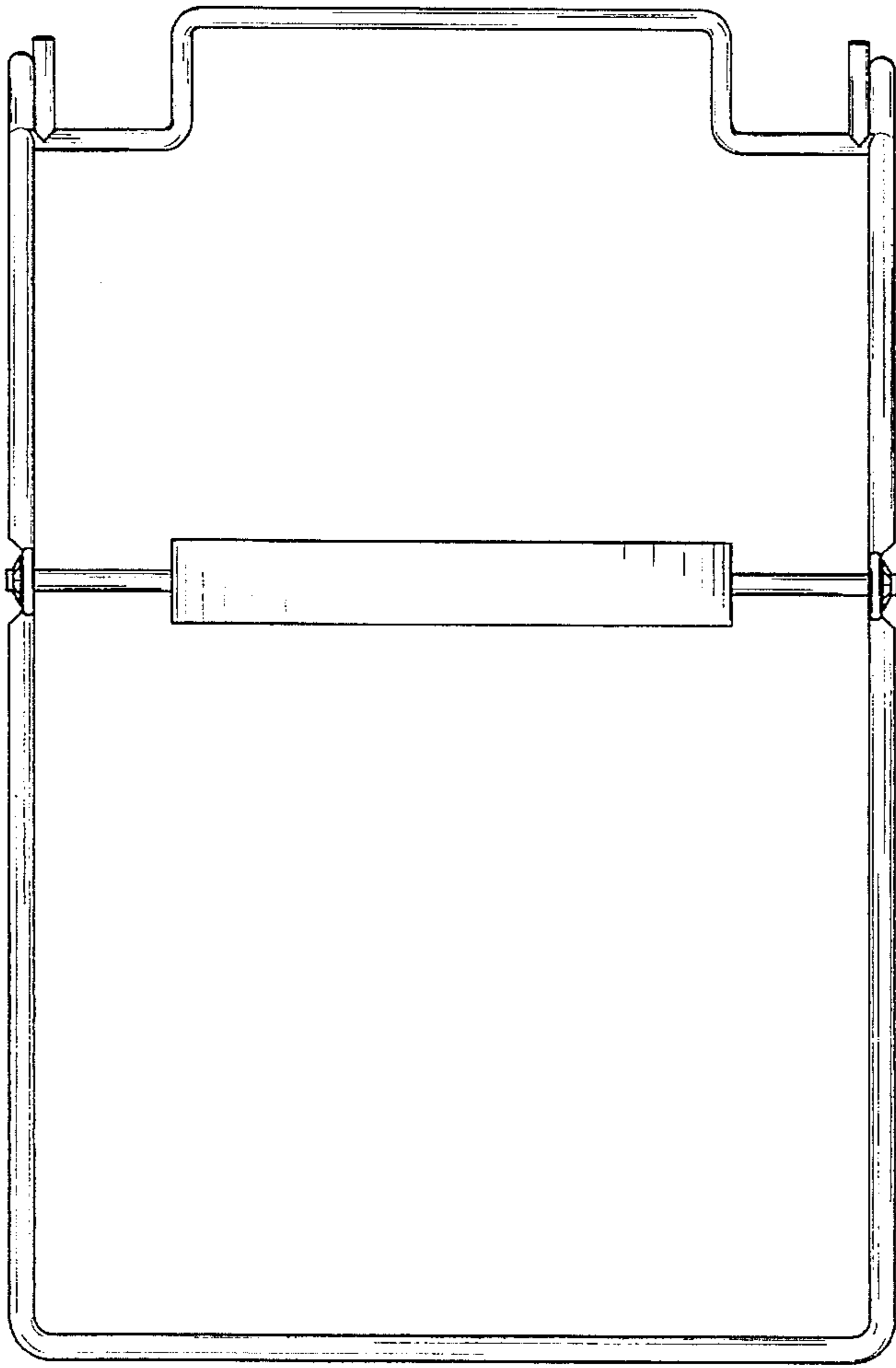


Fig. 3

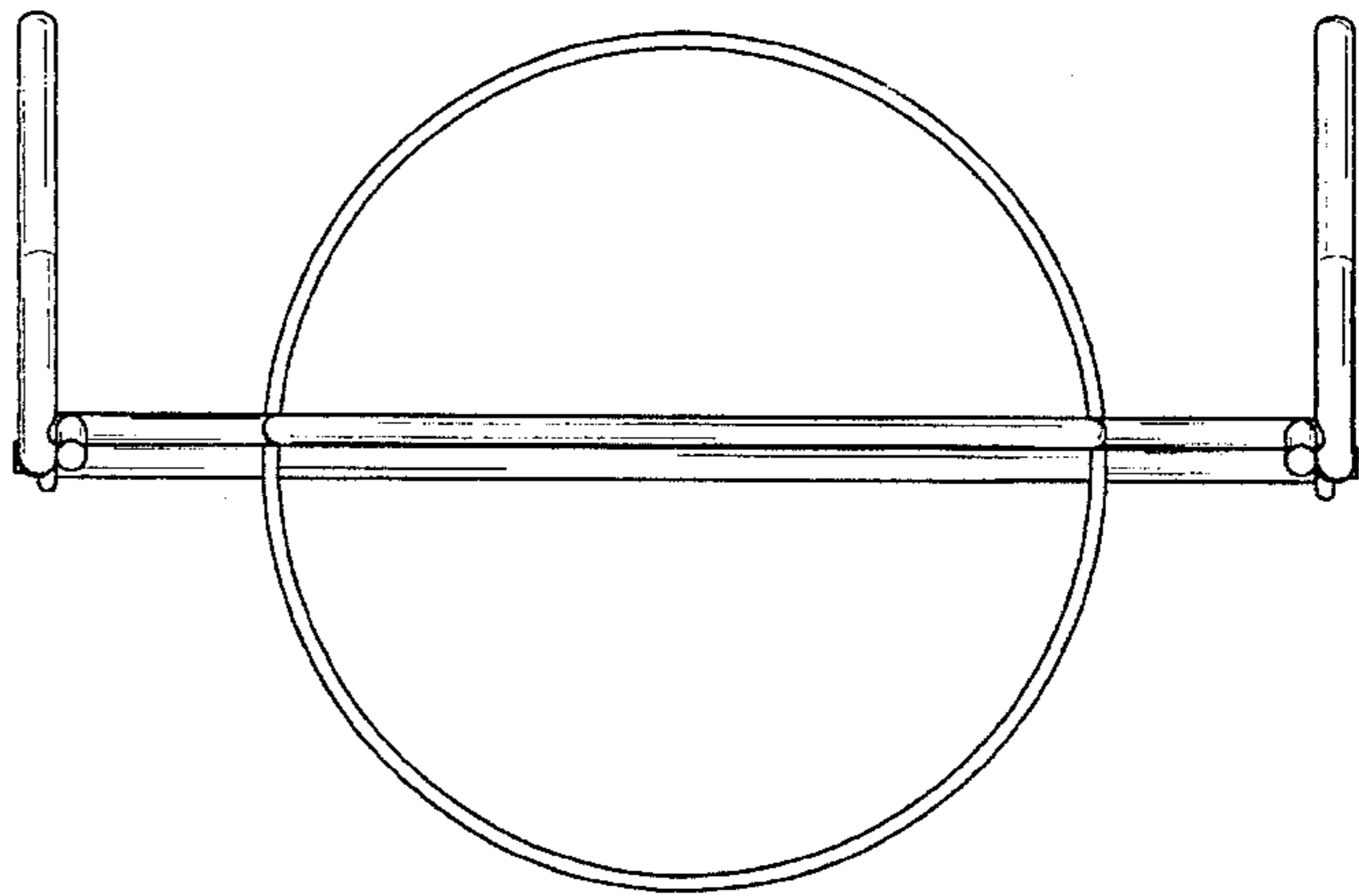


Fig. 4