



US00D377748S

United States Patent [19]

Keller et al.

[11] Patent Number: **Des. 377,748**

[45] Date of Patent: ****Feb. 4, 1997**

[54] GOLF BAG LEG HINGE BRACKET

[75] Inventors: **Gary E. Keller**, Mesa; **Larry J. Mackin**, Phoenix, both of Ariz.

[73] Assignee: **Karsten Manufacturing Corporation**, Phoenix, Ariz.

[**] Term: **14 Years**

[21] Appl. No.: **42,796**

[22] Filed: **Aug. 14, 1995**

[52] U.S. Cl. **D8/323**; D3/318; D8/329

[58] Field of Search D3/255, 320, 318, D3/323, 904; D8/323, 327, 329; 16/DIG. 43; 248/96, 97; 206/315.7

[56] References Cited

U.S. PATENT DOCUMENTS

1,810,903	6/1931	Campbell	248/96
4,834,235	5/1989	Solheim et al.	248/96 X
5,048,777	9/1991	Quellais	248/96
5,096,148	3/1992	Quellais et al.	248/688 X

FOREIGN PATENT DOCUMENTS

2180200 3/1987 United Kingdom 248/96

Primary Examiner—Ted Shooman

Assistant Examiner—C. Tuttle

Attorney, Agent, or Firm—Darrell F. Marquette; Herbert E. Haynes, Jr.

[57] CLAIM

The ornamental design for a golf bag leg hinge bracket, as shown and described.

DESCRIPTION

FIG. 1 is a perspective view of a golf bag leg hinge bracket showing our new design;

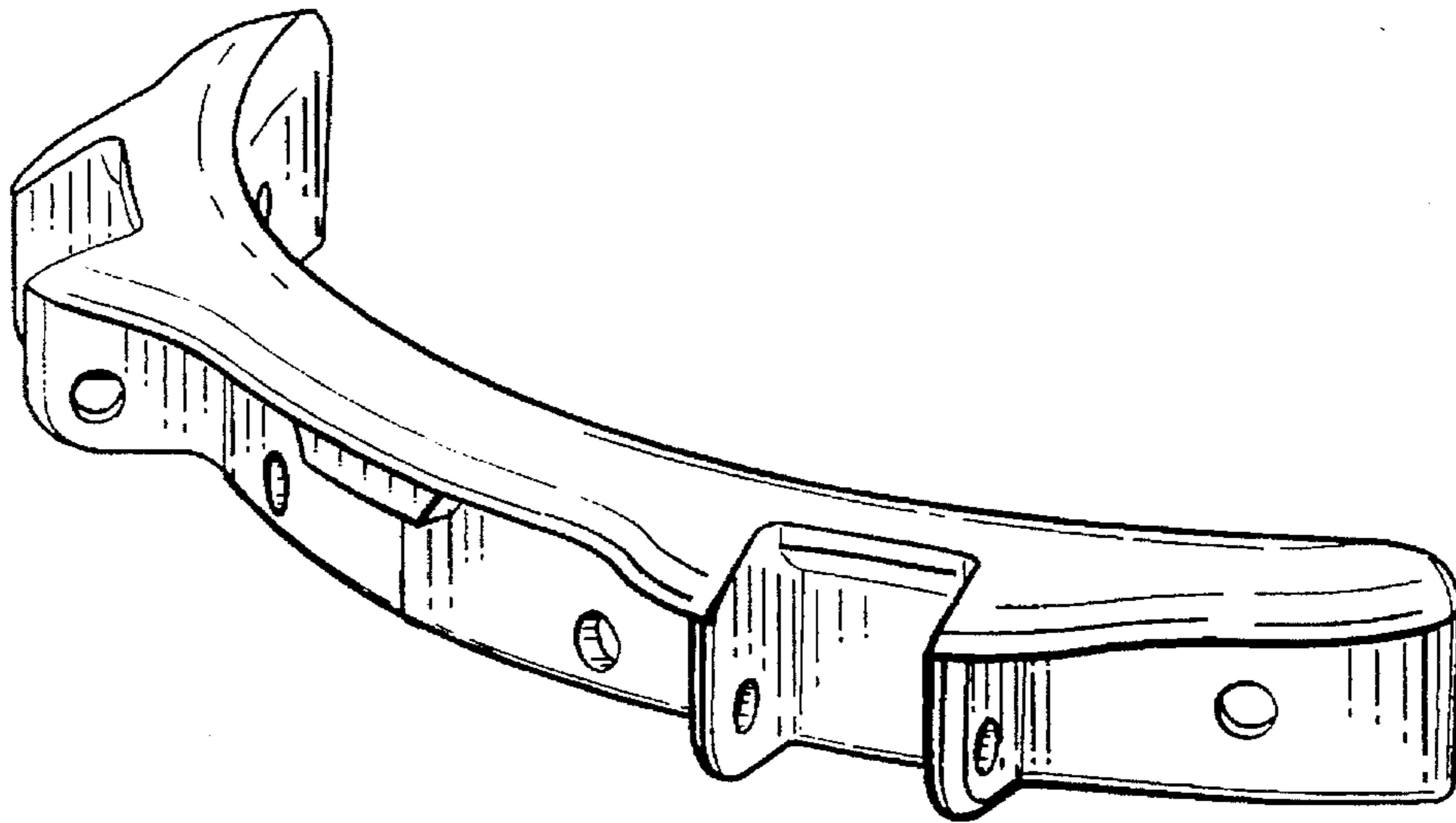
FIG. 2 is a top plan view of the golf bag leg hinge bracket shown in FIG. 1;

FIG. 3 is a side elevational view of the golf bag leg hinge bracket shown in FIG. 1;

FIG. 4 is a right end elevational view of the golf bag leg hinge bracket, the left end being a mirror image thereof; and,

FIG. 5 is a bottom view of the golf bag leg hinge bracket shown in FIG. 1.

1 Claim, 1 Drawing Sheet



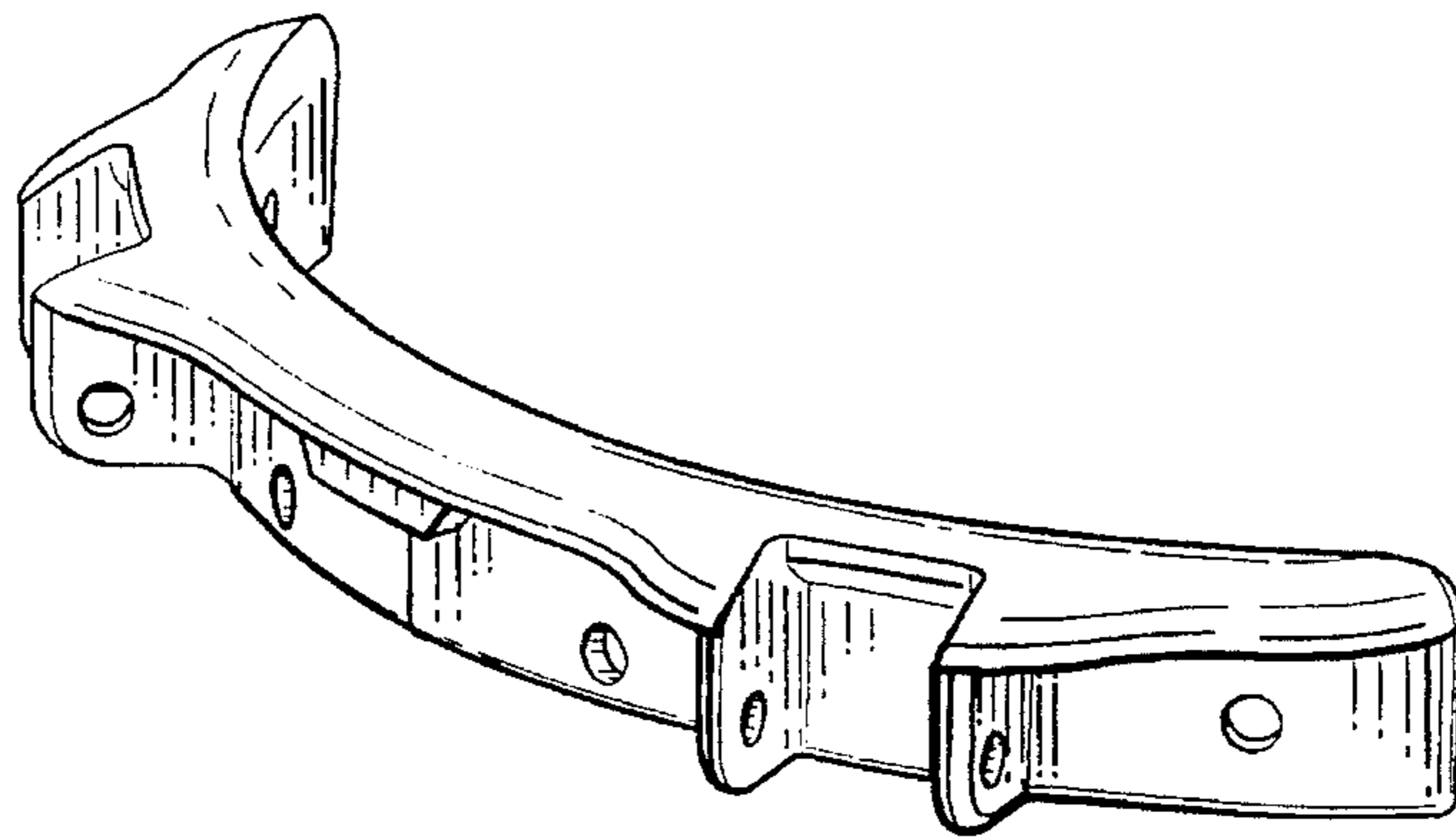


Fig. 1

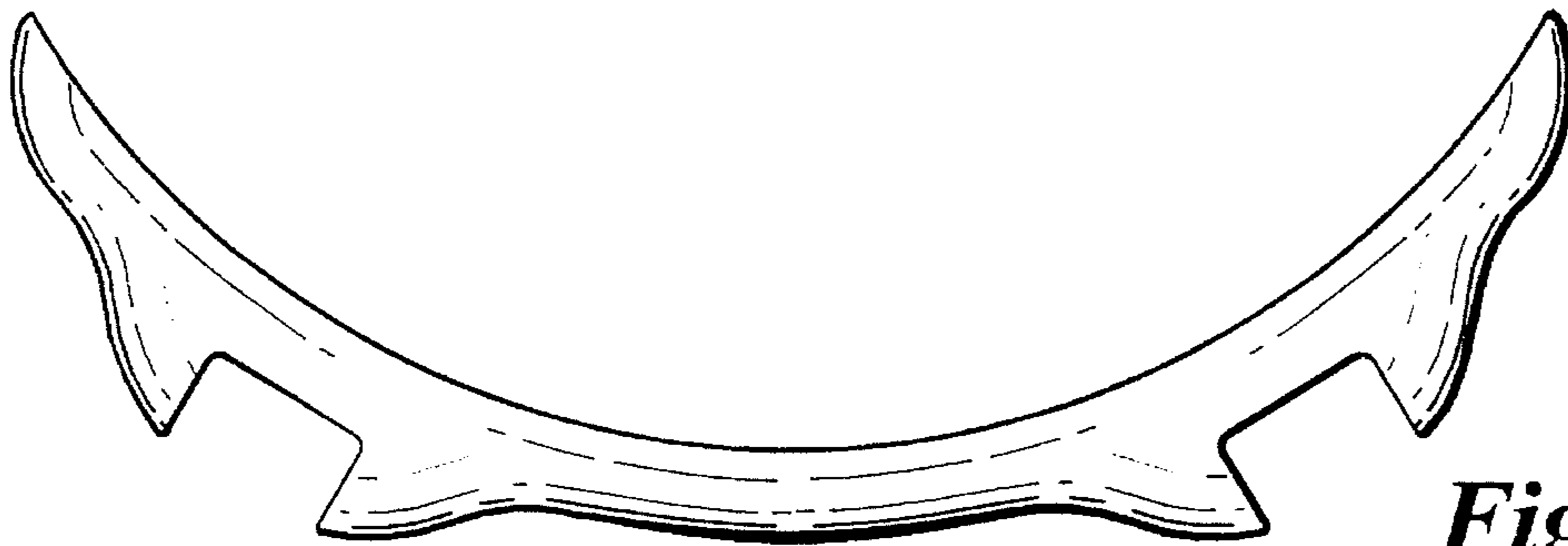


Fig. 2

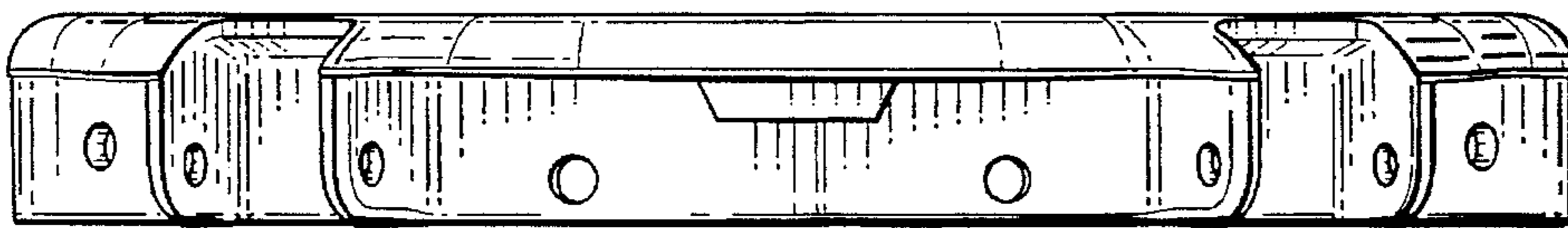


Fig. 3

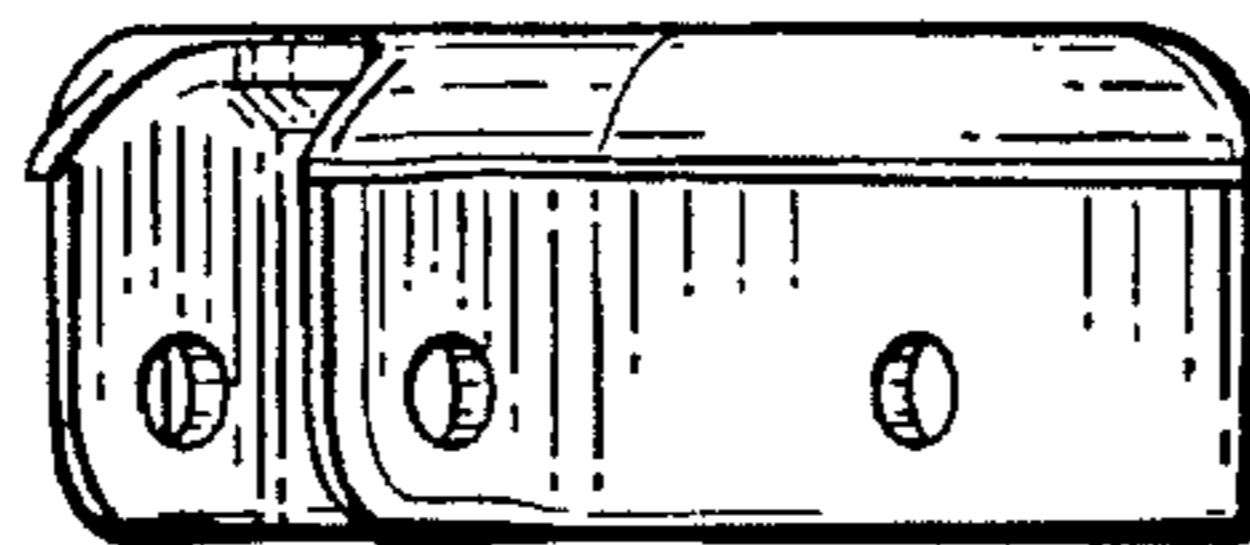


Fig. 4

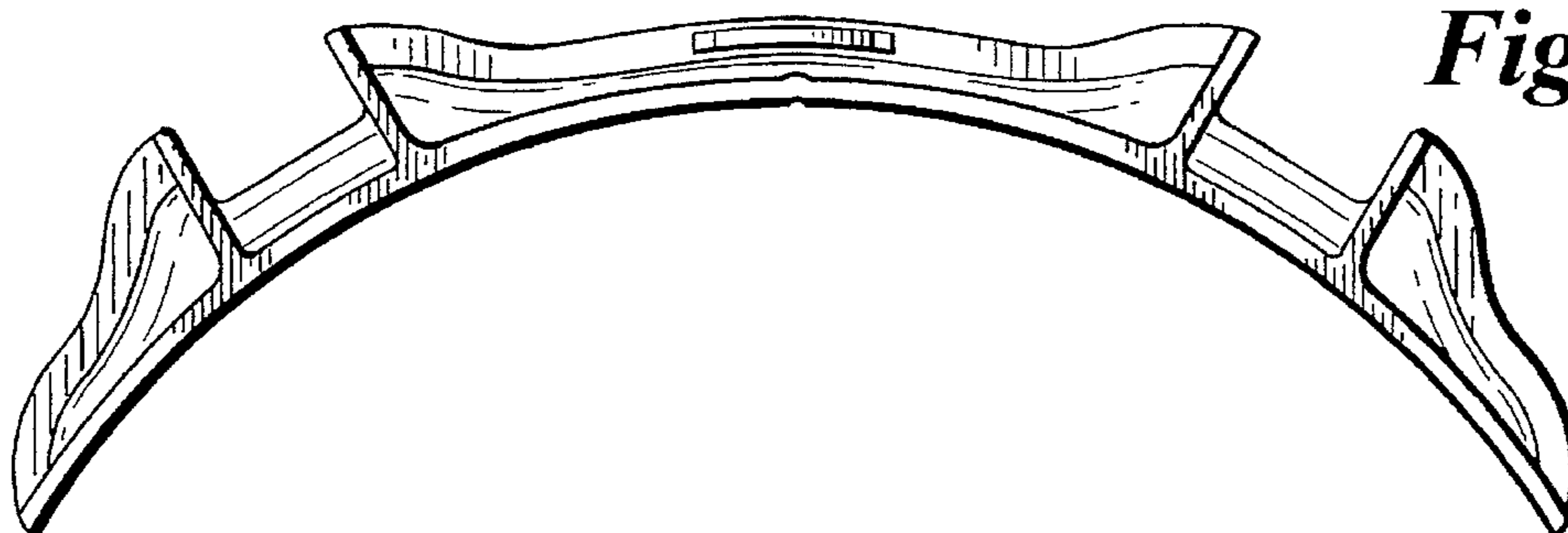


Fig. 5