



US00D377747S

# United States Patent [19]

De'Armond

[11] Patent Number: **Des. 377,747**

[45] Date of Patent: **\*\*\*Feb. 4, 1997**

[54] **KNOB**

D. 197,212 12/1963 Clayton ..... D8/307  
D. 343,107 1/1994 Fulton ..... D8/315

[75] Inventor: **Robert De'Armond**, Celina, Ohio

### OTHER PUBLICATIONS

[73] Assignee: **Newell Operating Company**, Freeport, Ill.

National Lock—Cabinet Hardware; p. 21; pull V6800.

[\*] Notice: The portion of the term of this patent subsequent to Aug. 13, 2010, has been disclaimed.

*Primary Examiner*—B. J. Bullock

*Attorney, Agent, or Firm*—Foley & Lardner

[\*\*] Term: **14 Years**

### [57] CLAIM

The ornamental design for a knob, as shown and described.

[21] Appl. No.: **41,909**

### DESCRIPTION

[22] Filed: **Jul. 26, 1995**

FIG. 1 is a perspective view of a knob showing my new design;

[52] **U.S. Cl.** ..... **D8/310**

FIG. 2 is a side view thereof, the left side view being a mirror image of the right side view shown; and,

[58] **Field of Search** ..... D8/300, 307, 310, D8/315-20; 116/110 R, 121, DIG. 19, DIG. 30

FIG. 3 is a front view thereof;

FIG. 4 is a top view thereof, the bottom view being a mirror image of the top view shown; and,

### [56] References Cited

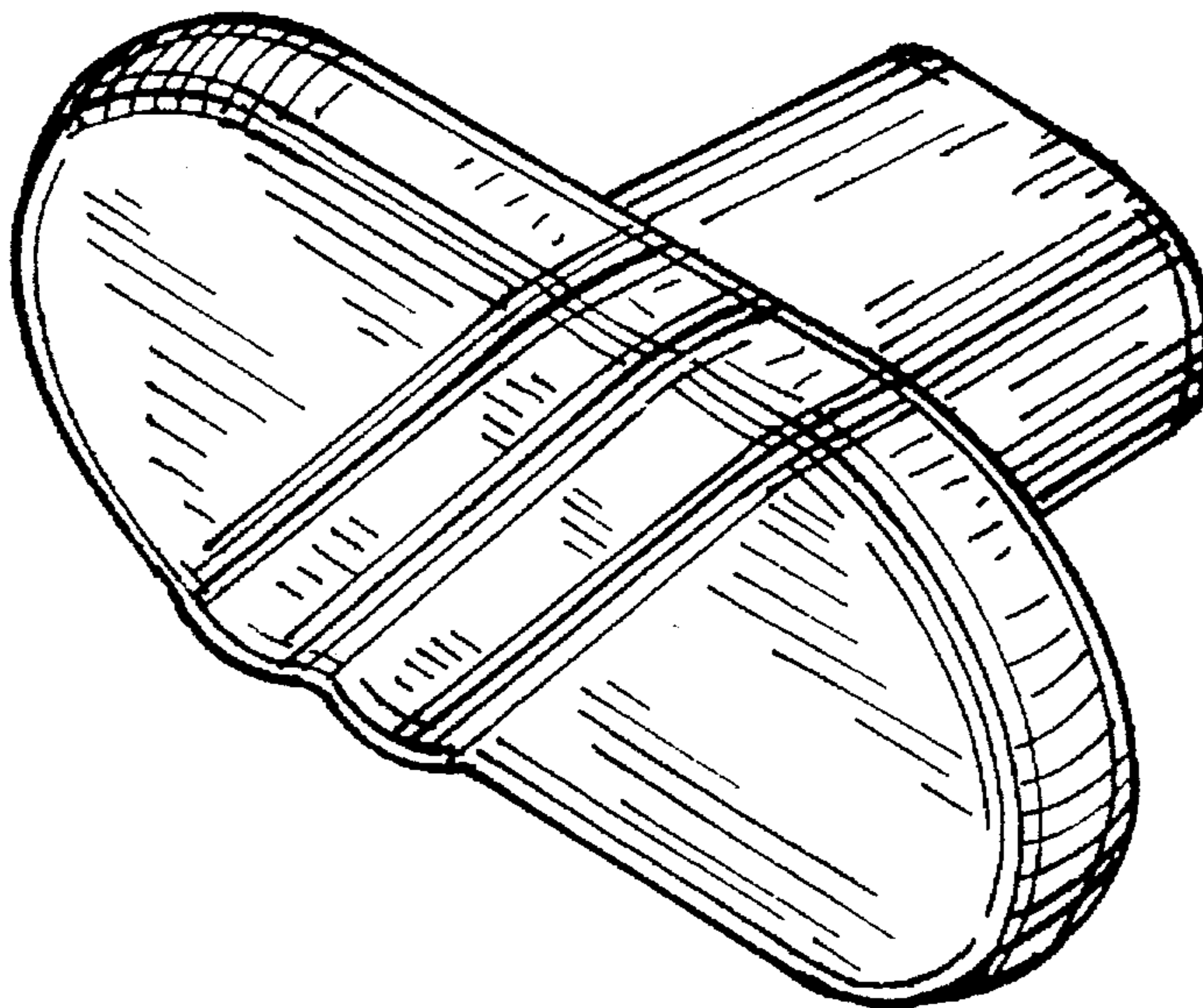
#### U.S. PATENT DOCUMENTS

D. 184,362 2/1959 Loeb ..... D8/319  
D. 191,500 10/1961 Caminker et al. .... D8/318  
D. 193,545 9/1962 Caminker et al. .... D8/307

FIG. 5 is a rear view thereof.

The fastener aperture depicted in broken lines in FIG. 5 is shown for illustrative purposes only and forms no part of the claimed subject matter.

**1 Claim, 1 Drawing Sheet**



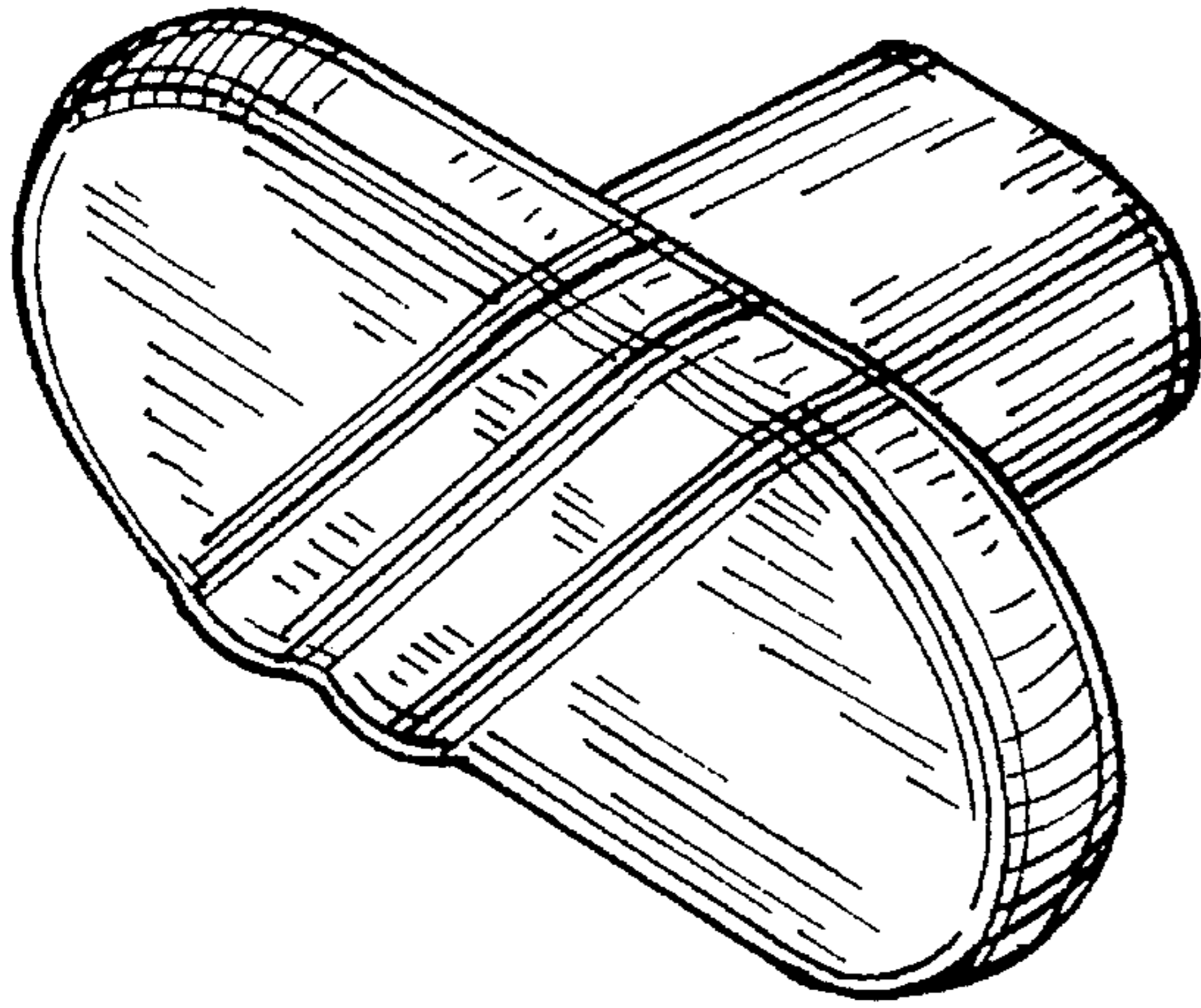


FIG. 1

FIG. 3

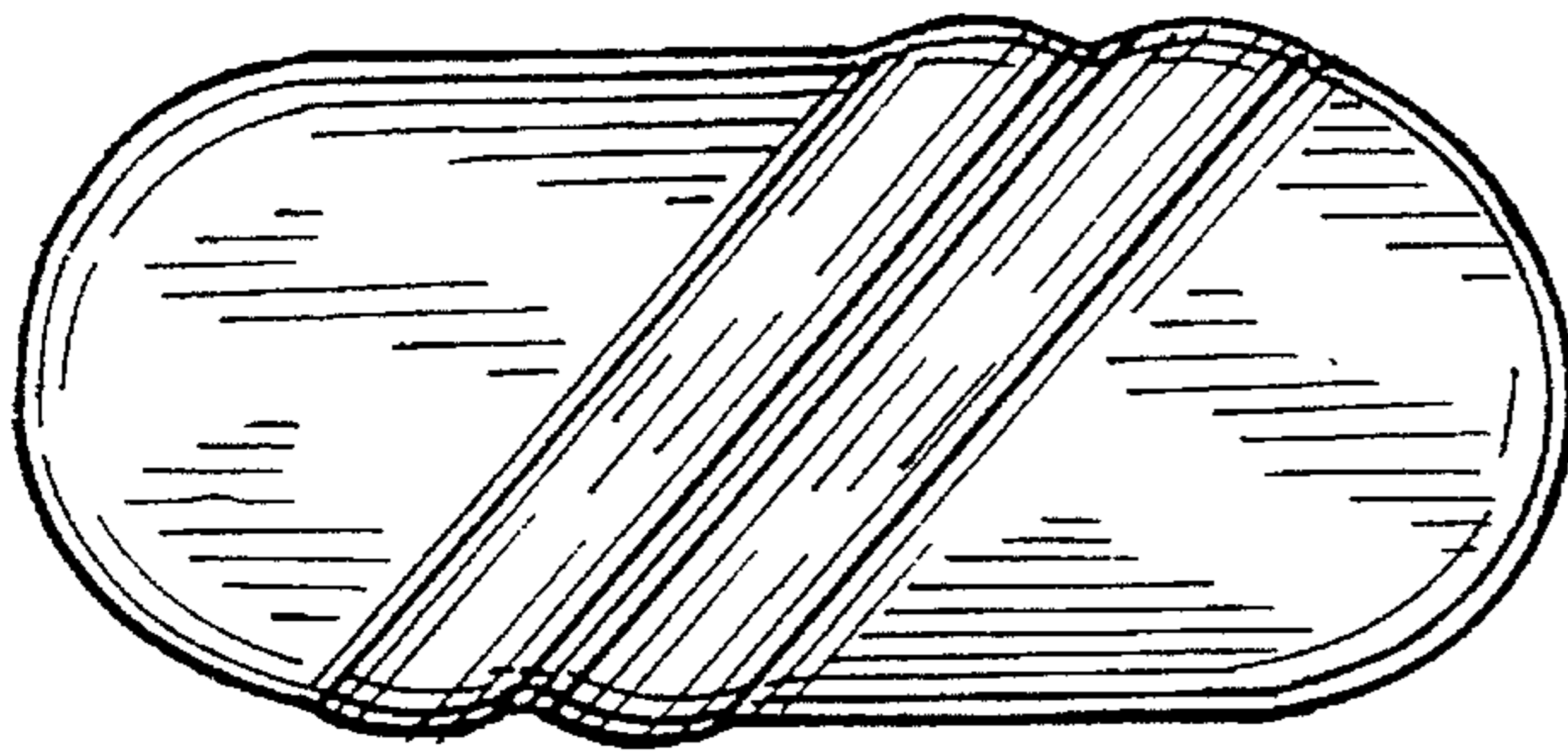


FIG. 2

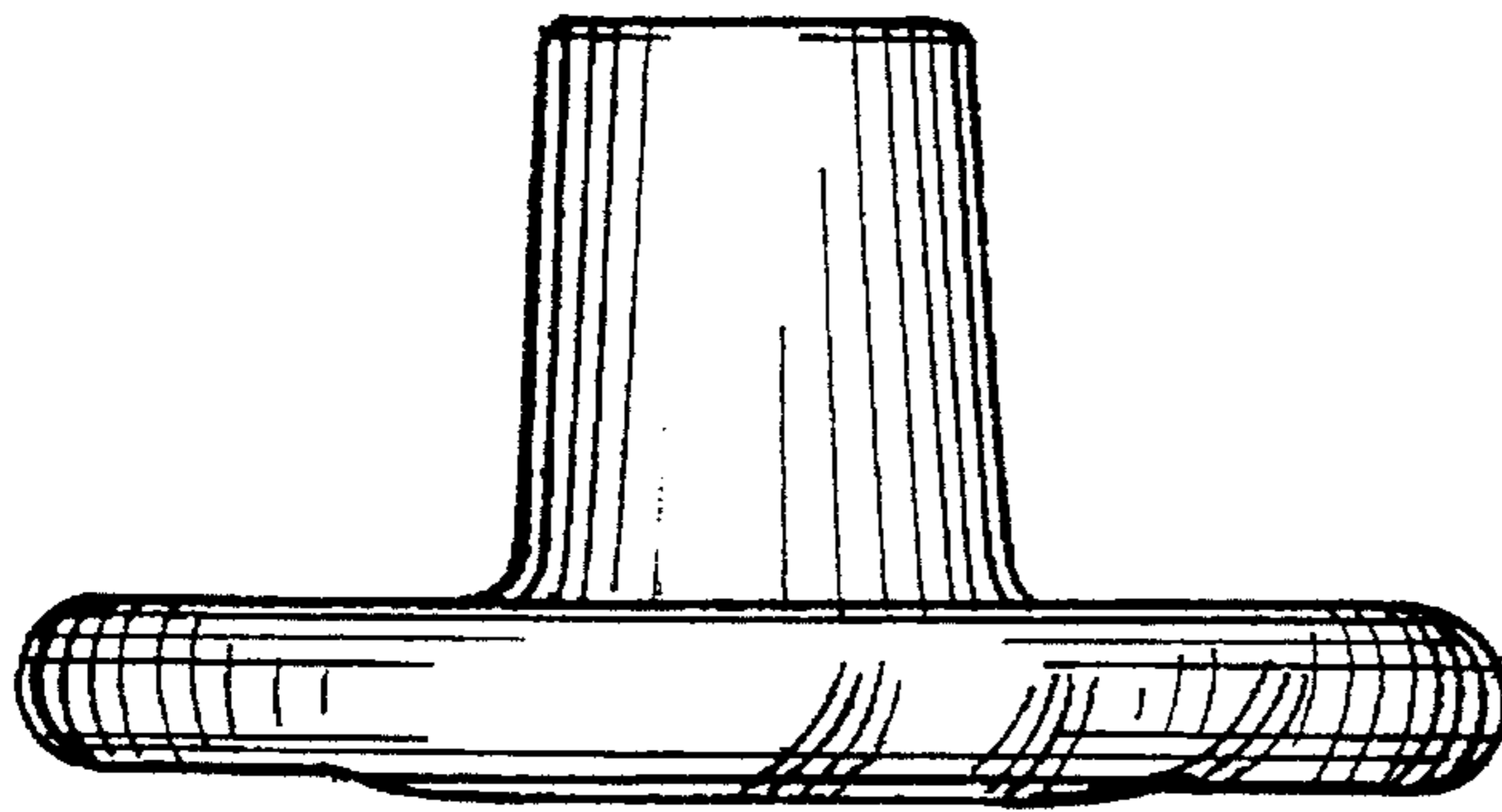
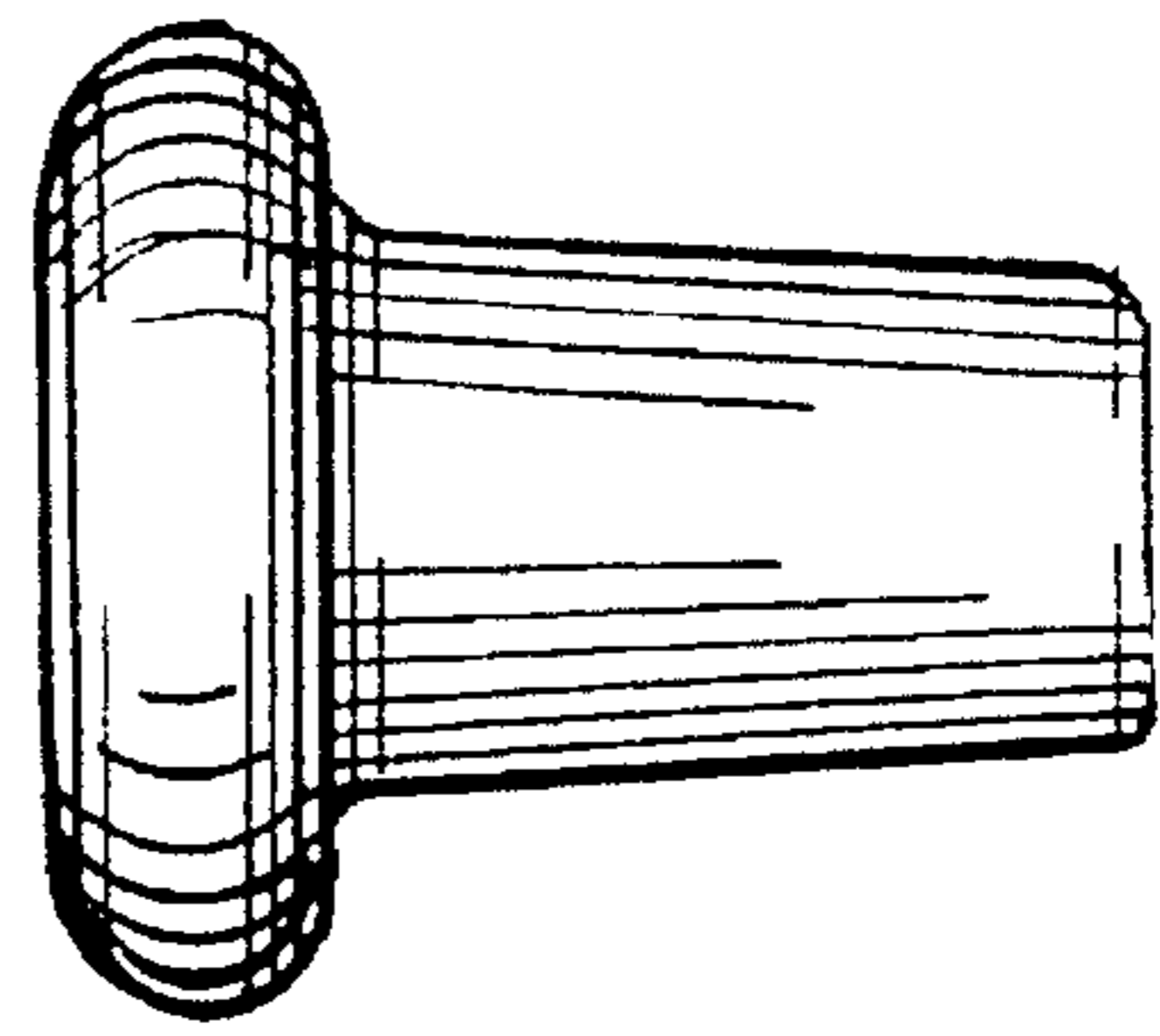


FIG. 4

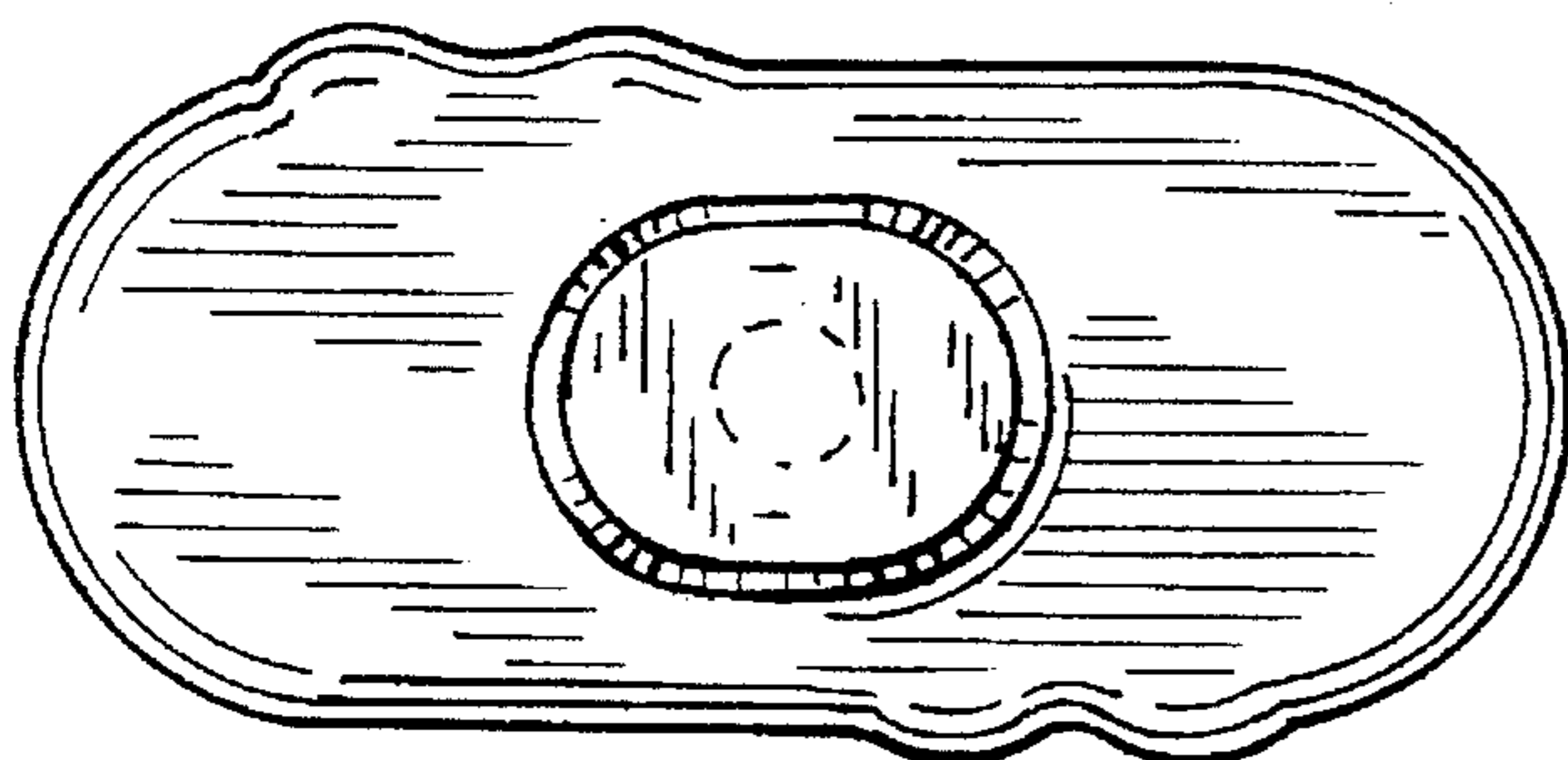


FIG. 5