



US00D377745S

# United States Patent [19]

Laun

[11] Patent Number: **Des. 377,745**

[45] Date of Patent: **\*\*Feb. 4, 1997**

[54] **TOOL HANDLE EXTENDER**

[76] Inventor: **James A. Laun**, 28 N. Franklin St.,  
Cattaraugus, N.Y. 14719

[\*\*] Term: **14 Years**

[21] Appl. No.: **46,082**

[22] Filed: **Nov. 7, 1995**

[52] U.S. Cl. .... **D8/107; D8/14**

[58] Field of Search ..... **D8/107, 303, 88,**  
**D8/83, 14, 51, 29; 81/177.2, 489, 177.1,**  
**177.3, 177.85; 16/115**

[56] **References Cited**

### U.S. PATENT DOCUMENTS

D. 301,962	7/1989	Huang	.....	D8/107
3,306,639	2/1967	Lyon	.....	16/115
4,325,157	4/1982	Balint et al.	.....	16/115
4,581,958	4/1986	Shull	.....	81/177.2
4,653,142	3/1987	Upton	.....	16/115
4,691,599	9/1987	Schultz	.....	81/177.2
4,793,646	12/1988	Michaud, Jr.	.....	16/115
4,922,577	5/1990	Unger	.....	16/115

5,056,387	10/1991	Cook	.....	81/177.2
5,220,707	6/1993	Newman, Sr. et al.	.....	16/115
5,471,899	12/1995	Twonlow	.....	81/177.2

### FOREIGN PATENT DOCUMENTS

74367	2/1917	Switzerland	.....	81/177.2
-------	--------	-------------	-------	----------

*Primary Examiner*—Philip S. Hyder  
*Attorney, Agent, or Firm*—James A. Hudak

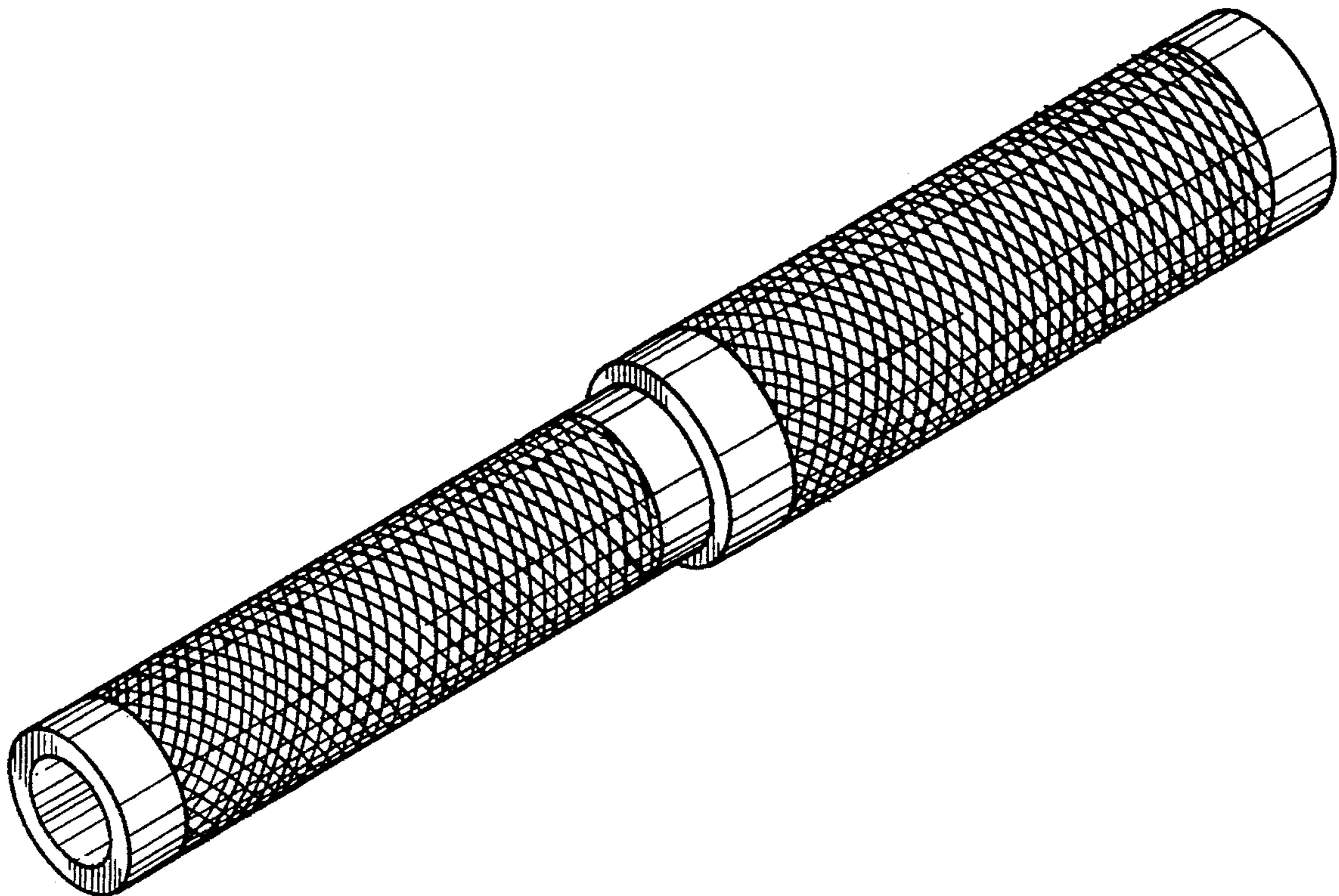
### [57] CLAIM

The ornamental design for a tool handle extender, as shown and described.

### DESCRIPTION

FIG. 1 is a perspective view of the tool handle extender showing my new design;  
FIG. 2 is a front elevational view thereof, the rear elevational view, the left side elevational view and the right side elevational view being identical thereto;  
FIG. 3 is a top plan view thereof; and,  
FIG. 4 is a bottom plan view thereof.

**1 Claim, 2 Drawing Sheets**



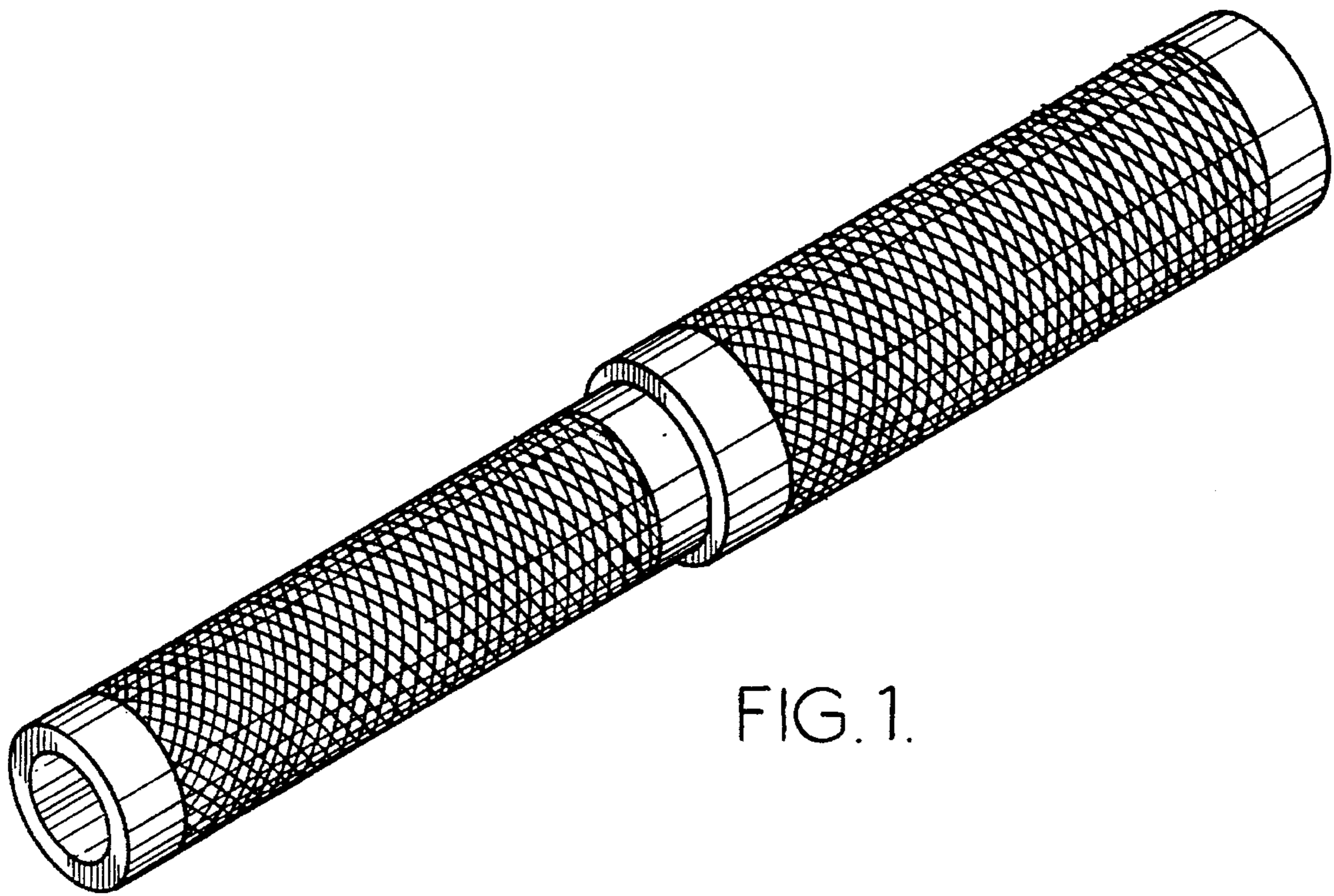


FIG. 1.

FIG. 2.

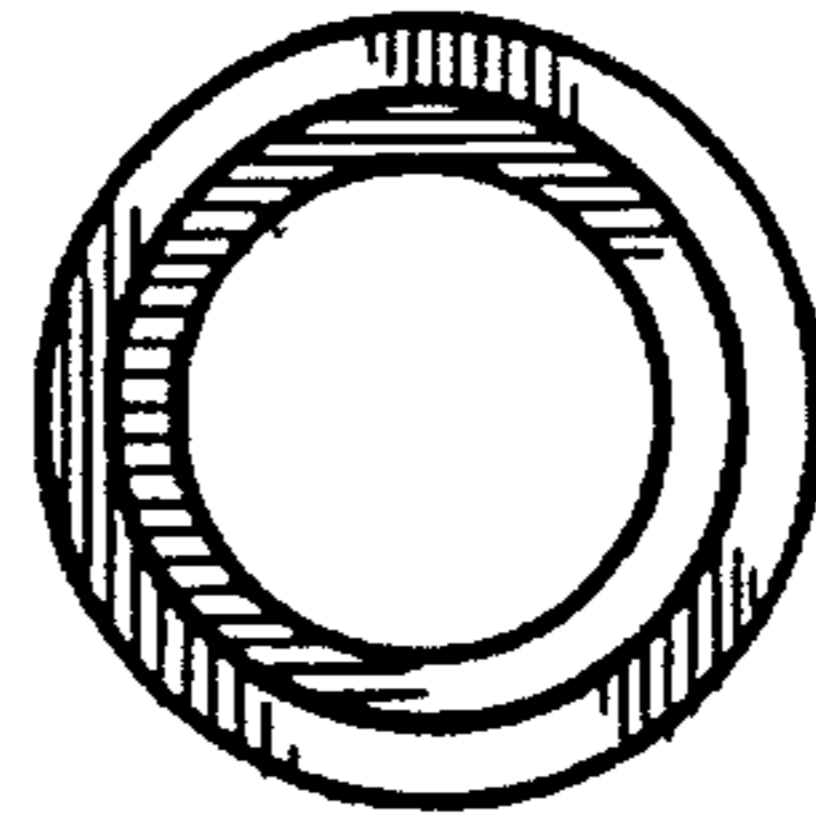
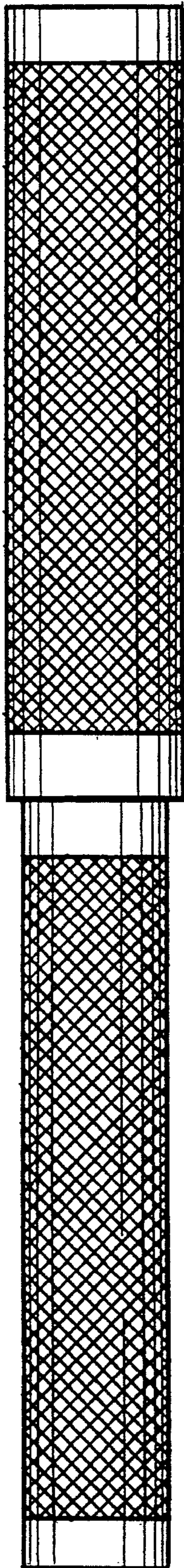


FIG. 3.

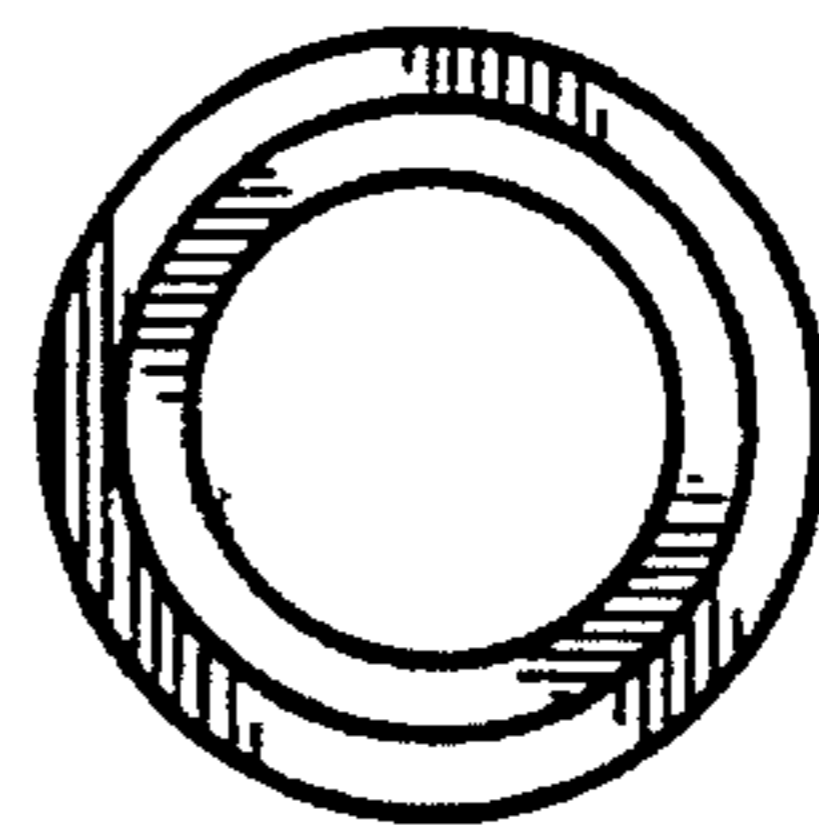


FIG. 4.