



US00D377744S

United States Patent [19]
Hasegawa

[11] **Patent Number:** **Des. 377,744**
[45] **Date of Patent:** ****Feb. 4, 1997**

[54] **POCKET KNIFE**
[75] Inventor: **Katsumi Hasegawa**, Sagamihara, Japan
[73] Assignee: **Kai R & D Center, Co., Ltd.**, Seki, Japan
[**] Term: **14 Years**

[21] Appl. No.: **46,422**
[22] Filed: **Nov. 14, 1995**

[30] **Foreign Application Priority Data**
Jun. 12, 1995 [JP] Japan 7-16774
[52] **U.S. Cl.** **D8/99**
[58] **Field of Search** D8/98, 99, 107;
D22/118; 30/151, 152, 153, 154, 155, 156,
157, 158, 159, 160, 161, 162

[56] **References Cited**
U.S. PATENT DOCUMENTS
D. 347,375 5/1994 Sakai D8/99
D. 348,818 7/1994 Hasegawa D8/99
D. 365,266 12/1995 Hasegawa D8/99
5,060,379 10/1991 Neely 30/155
5,095,624 3/1992 Ennis 30/159
5,400,509 3/1995 Collins 30/155
5,450,670 9/1995 Sakai 30/155

OTHER PUBLICATIONS
Atlanta Cutlery Catalog, 1994, p. 33, Benchmade Knives.
Atlanta Cutlery Catalog, 1994, p. 35, Ball lock folding knife.
Fighting Knives Magazine, 1992, p. 29, Timberline Knife.

Fighting Knives Magazine, 1992, p. 37 Beretta Knives.

Primary Examiner—Philip S. Hyder
Attorney, Agent, or Firm—Martin E. Hsia

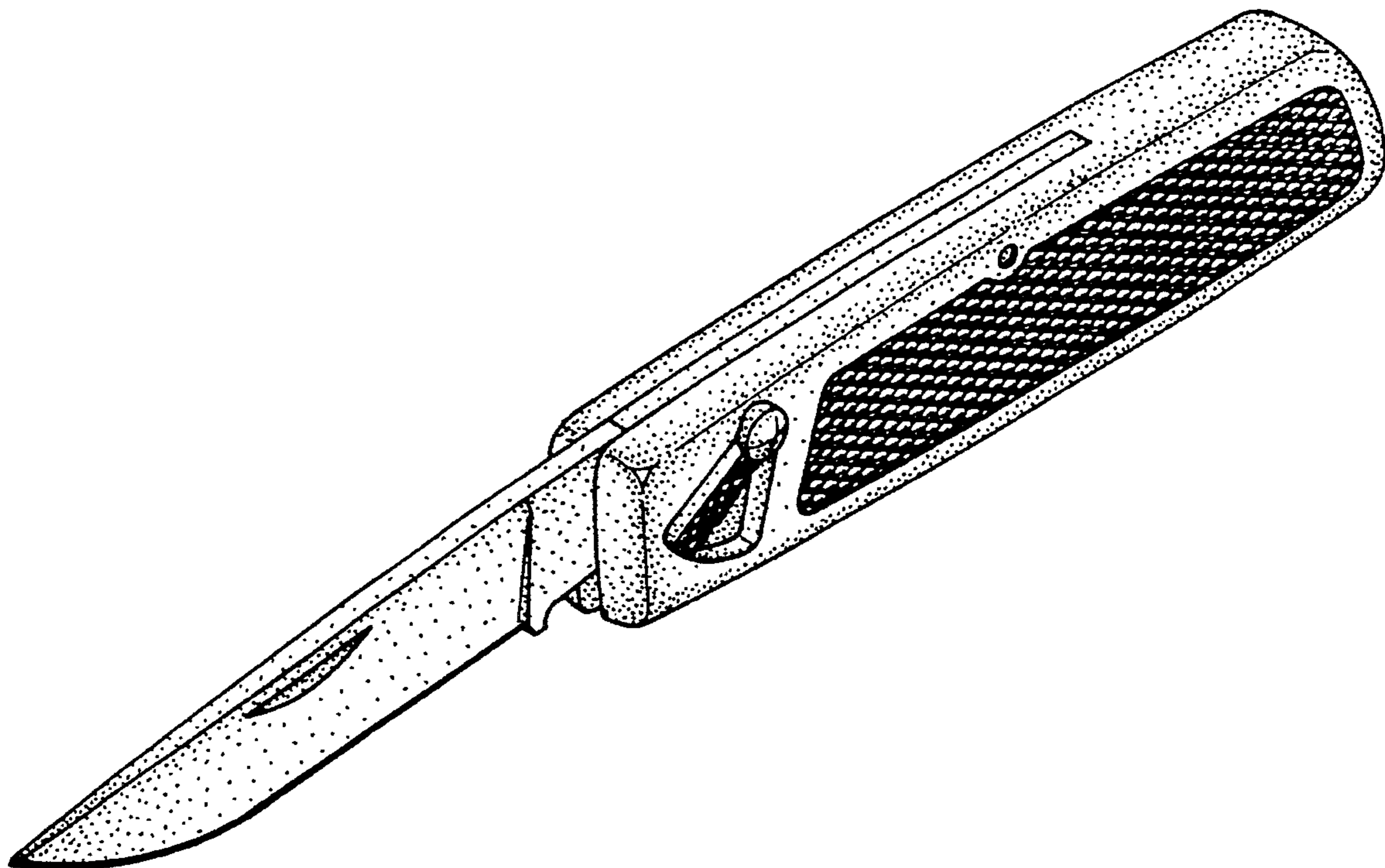
[57] **CLAIM**

The ornamental design for a pocket knife, as shown and described.

DESCRIPTION

FIG. 1 is a front perspective view of a pocket knife showing my new design;
FIG. 2 is a front perspective view thereof in the closed position;
FIG. 3 is a rear perspective view thereof in the closed position;
FIG. 4 is a left side elevational view thereof;
FIG. 5 is a top plan view thereof;
FIG. 6 is a left side elevational view thereof in the closed position;
FIG. 7 is a right side elevational view thereof in the closed position;
FIG. 8 is a top plan view thereof in the closed position;
FIG. 9 is a bottom plan view thereof in the closed position;
FIG. 10 is an enlarged front elevational view thereof in the closed position as seen from the plane 10—10 in FIG. 8; and,
FIG. 11 is an enlarged rear elevational view thereof as seen from the plane 11—11 in FIG. 8.

1 Claim, 6 Drawing Sheets



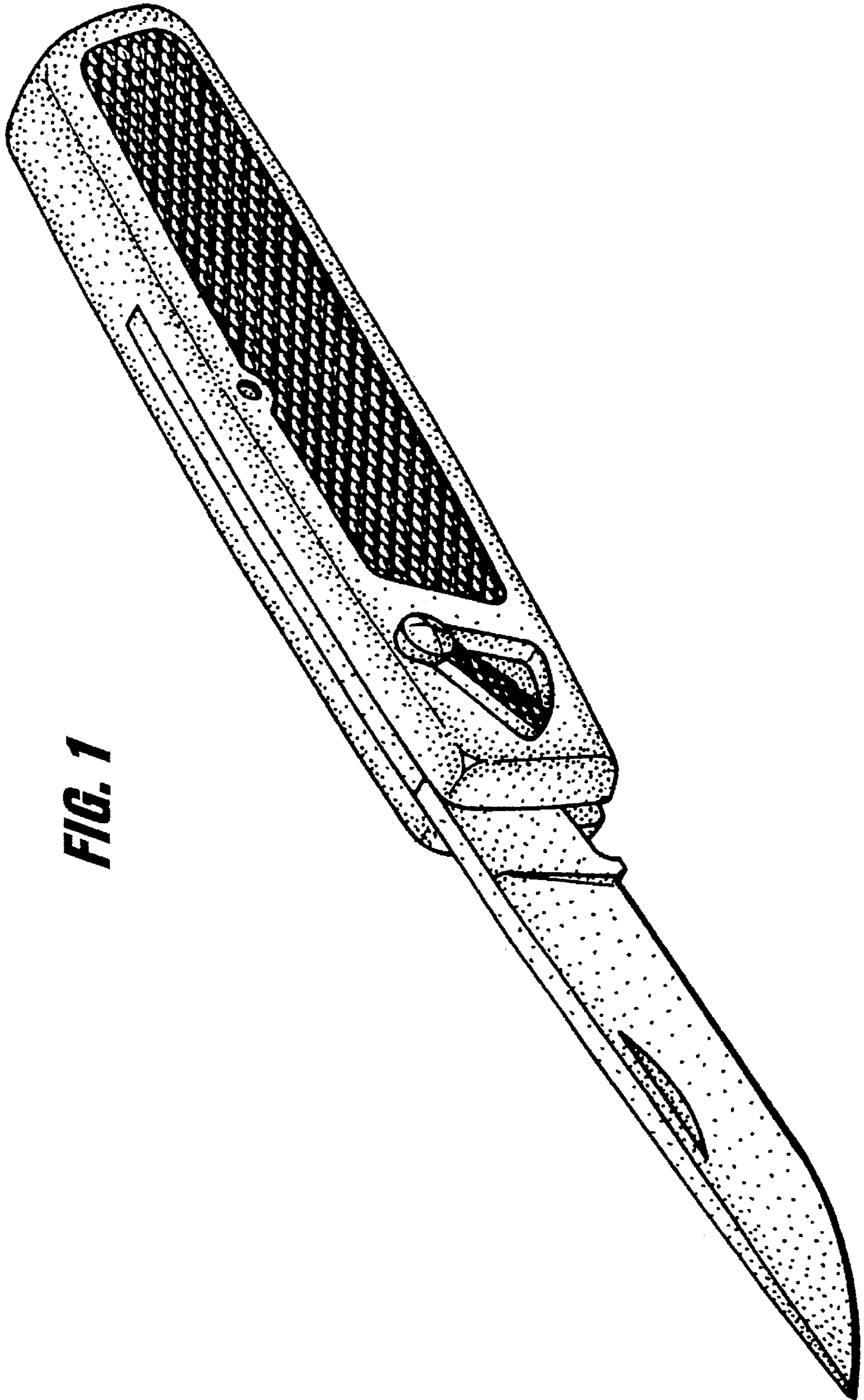


FIG. 1

FIG. 2

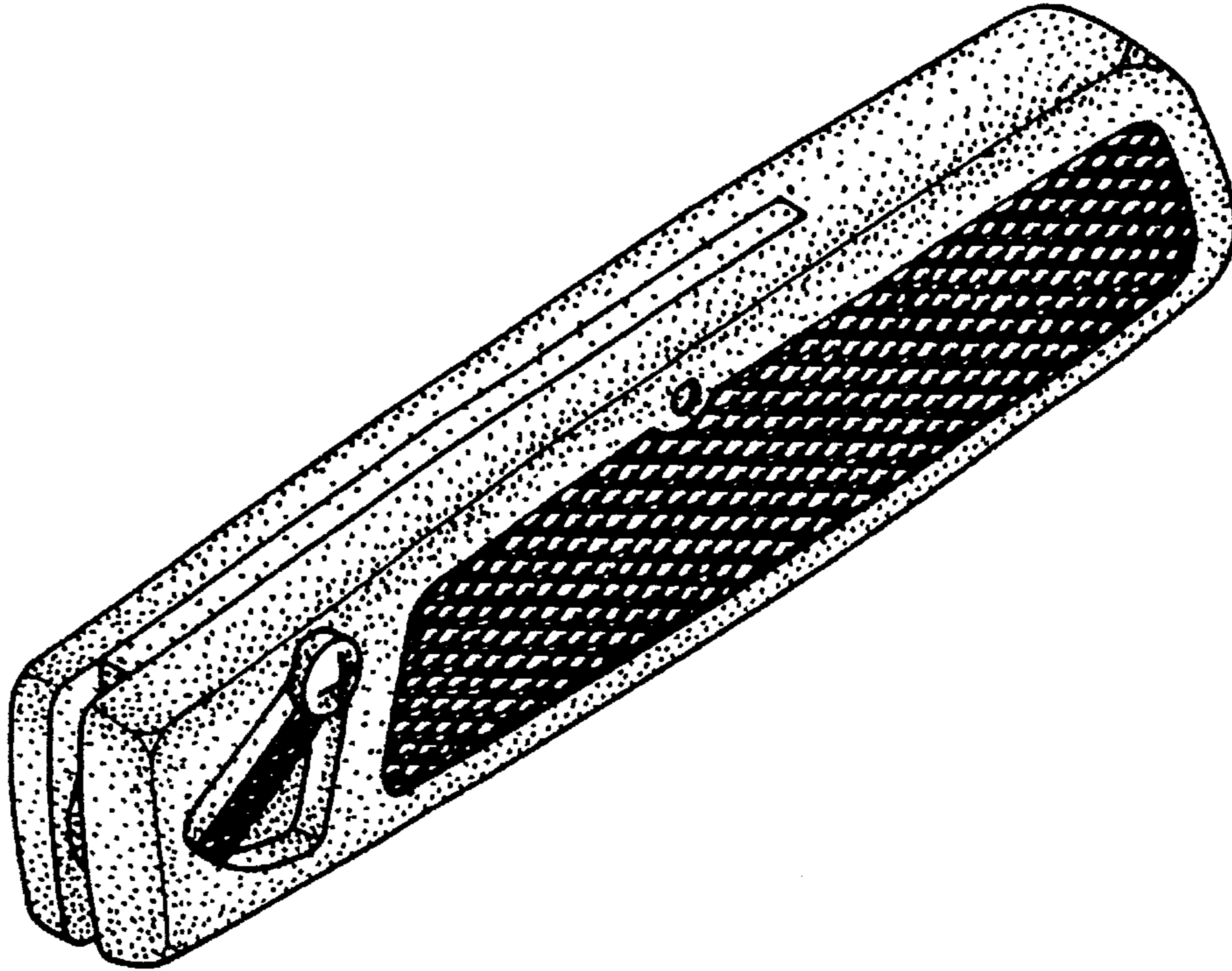


FIG. 3

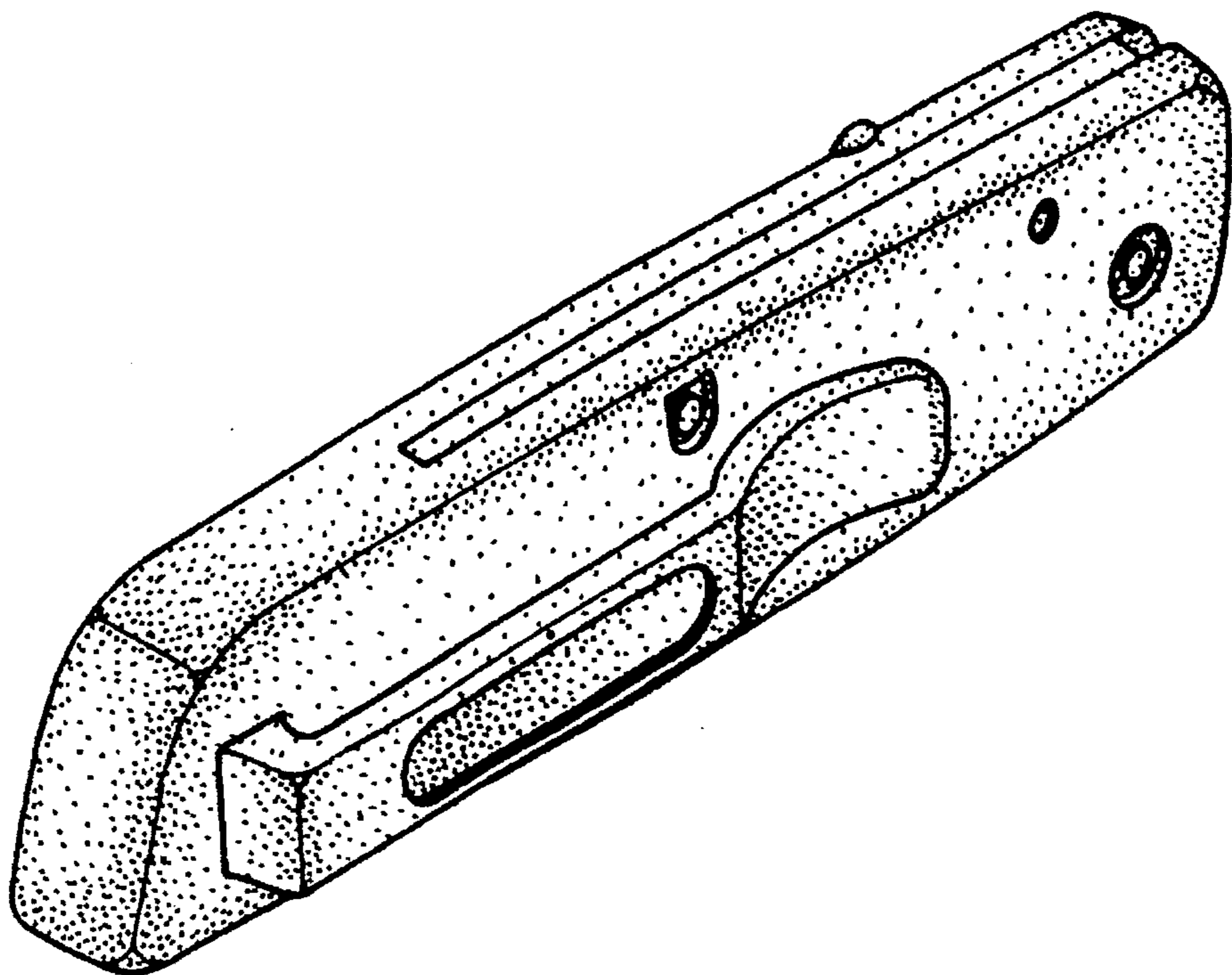


FIG. 4

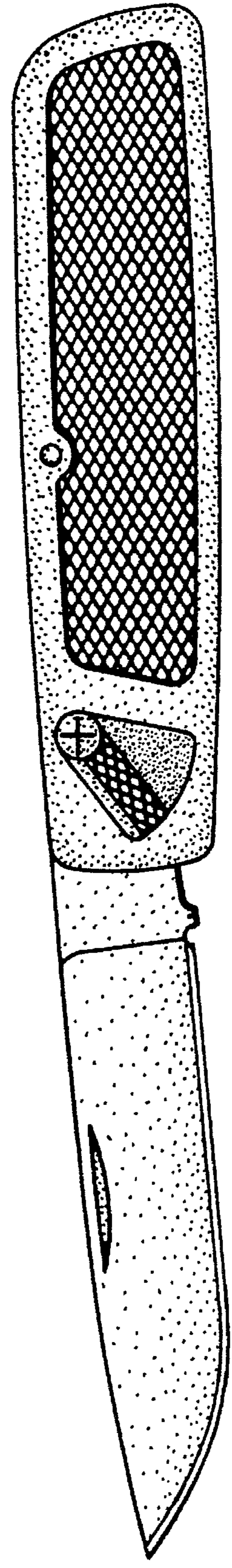


FIG. 5

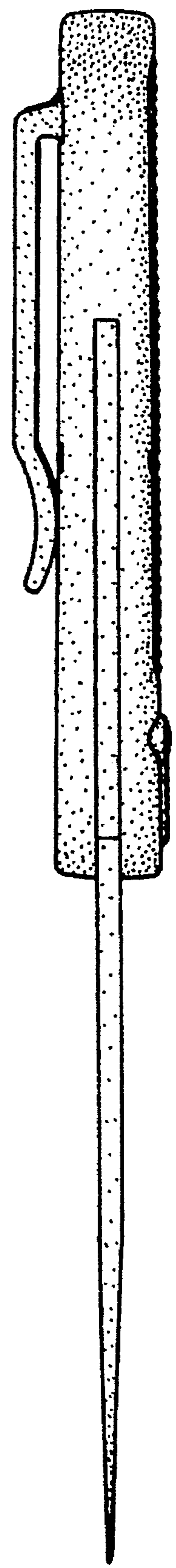


FIG. 6

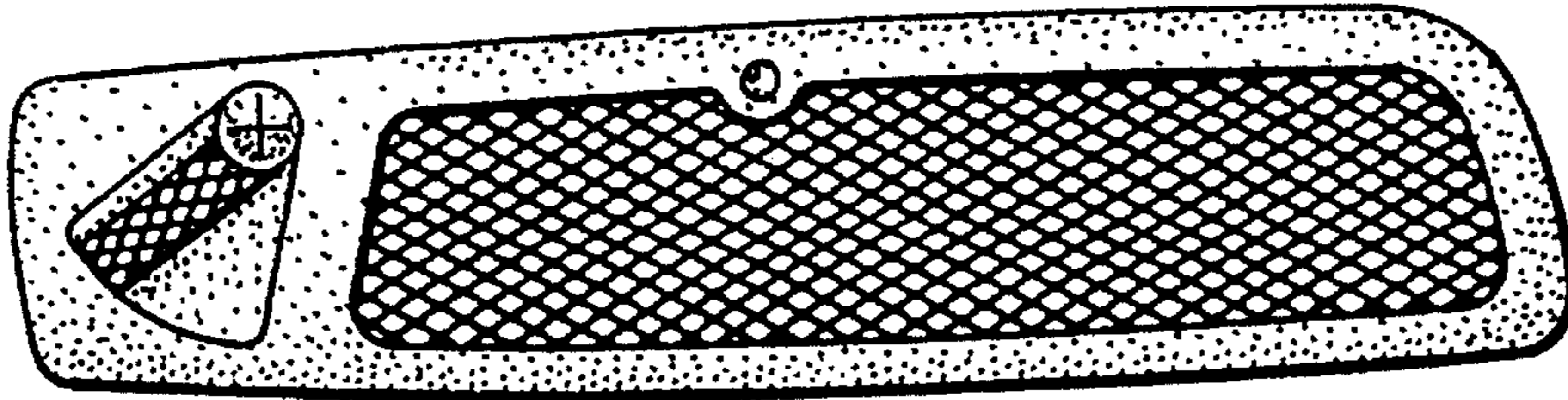


FIG. 7

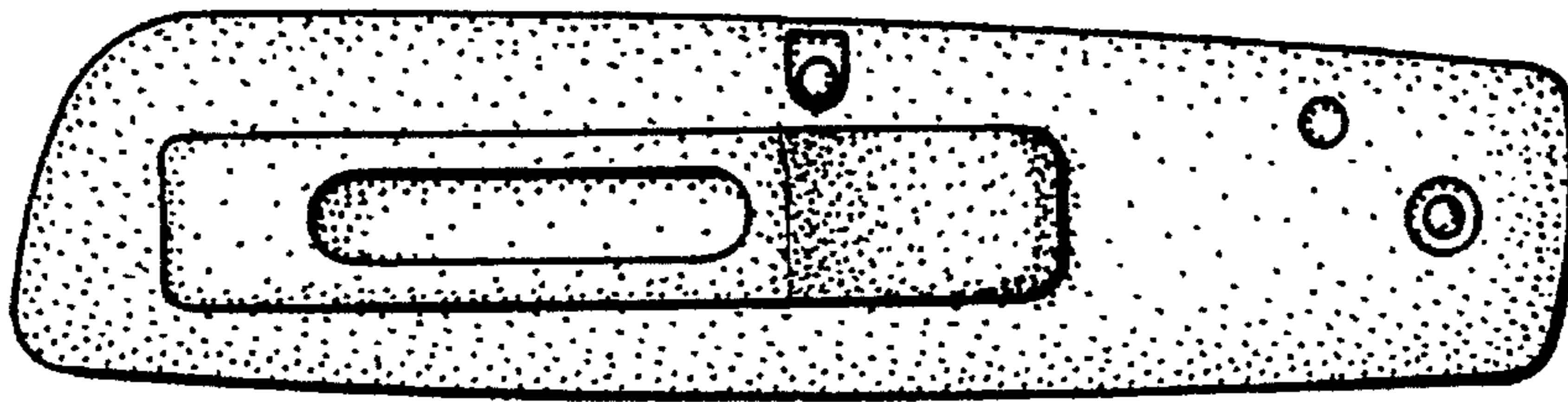


FIG. 8

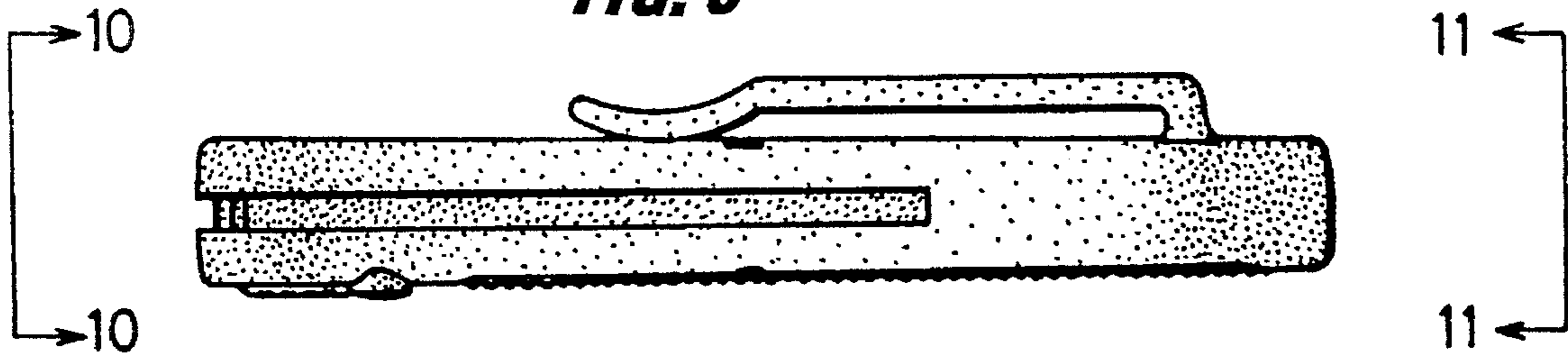


FIG. 9

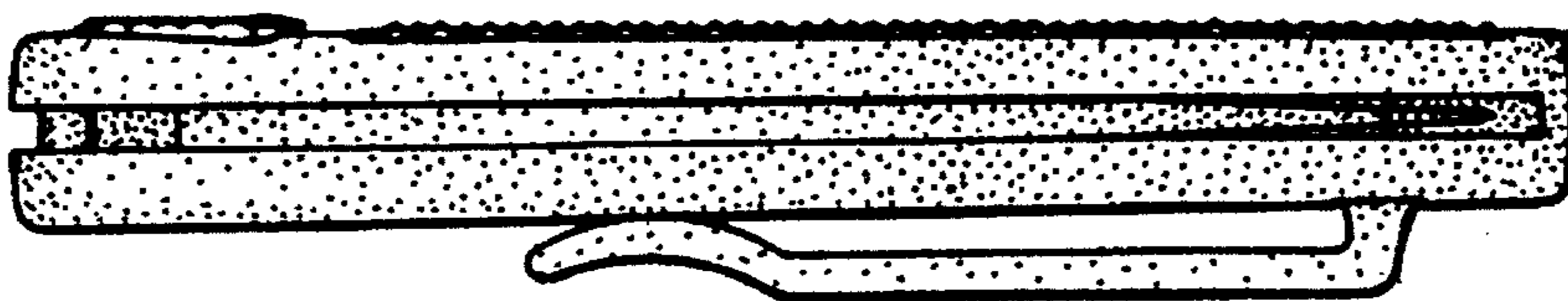


FIG. 10

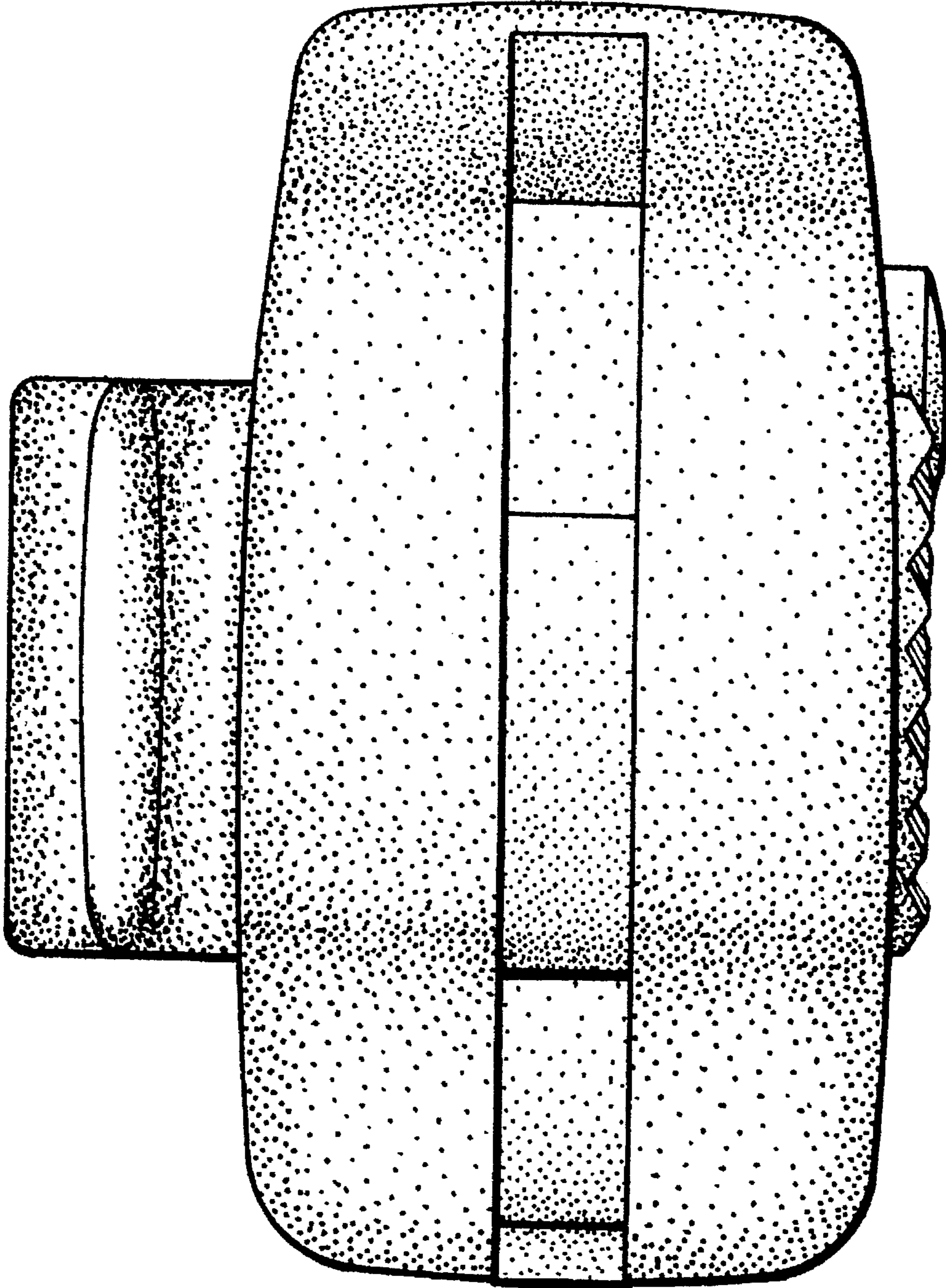


FIG. 11

