



US00D377743S

United States Patent [19]

DeMore et al.

[11] **Patent Number:** **Des. 377,743**

[45] **Date of Patent:** ****Feb. 4, 1997**

[54] **VEGETATION TRIMMER**

[75] Inventors: **Anthony M. DeMore**, Cockeysville;
Robert I. Somers, Reisterstown, both
of Md.; **Peter F. Welch**, Toronto,
Canada

[73] Assignee: **Black & Decker Inc.**, Newark, Del.

[**] Term: **14 Years**

[21] Appl. No.: **42,806**

[22] Filed: **Jul. 11, 1995**

[52] U.S. Cl. **D8/8**

[58] Field of Search **D8/8; 56/12.7;**
30/276

[56] **References Cited**

U.S. PATENT DOCUMENTS

D. 351,768 10/1994 Griffin **D8/8**

OTHER PUBLICATIONS

Black and Decker, 1993-94 no page number, yard trimmer
item No. ST200 located at top left corner of page.

Japanese catalog, Sep. 20, 1987, no page number, trimmer
located at right of page.

Primary Examiner—Holly H. Baynham

Attorney, Agent, or Firm—Harness, Dickey & Pierce, P.L.C.

[57] **CLAIM**

The ornamental design for a vegetation trimmer, as shown
and described.

DESCRIPTION

FIG. 1 is a front and left side perspective view of a
vegetation trimmer in accordance with a preferred embodi-
ment of the design of the present invention;

FIG. 2 is a rear and right side perspective view;

FIG. 3 is a top view;

FIG. 4 is a left side view;

FIG. 5 is a right side view;

FIG. 6 is a bottom view;

FIG. 7 is a front view; and,

FIG. 8 is a rear view.

The broken line showing of a blade in FIGS. 6 and 7 is for
illustrative purposes only and forms no part of the claimed
design.

1 Claim, 4 Drawing Sheets

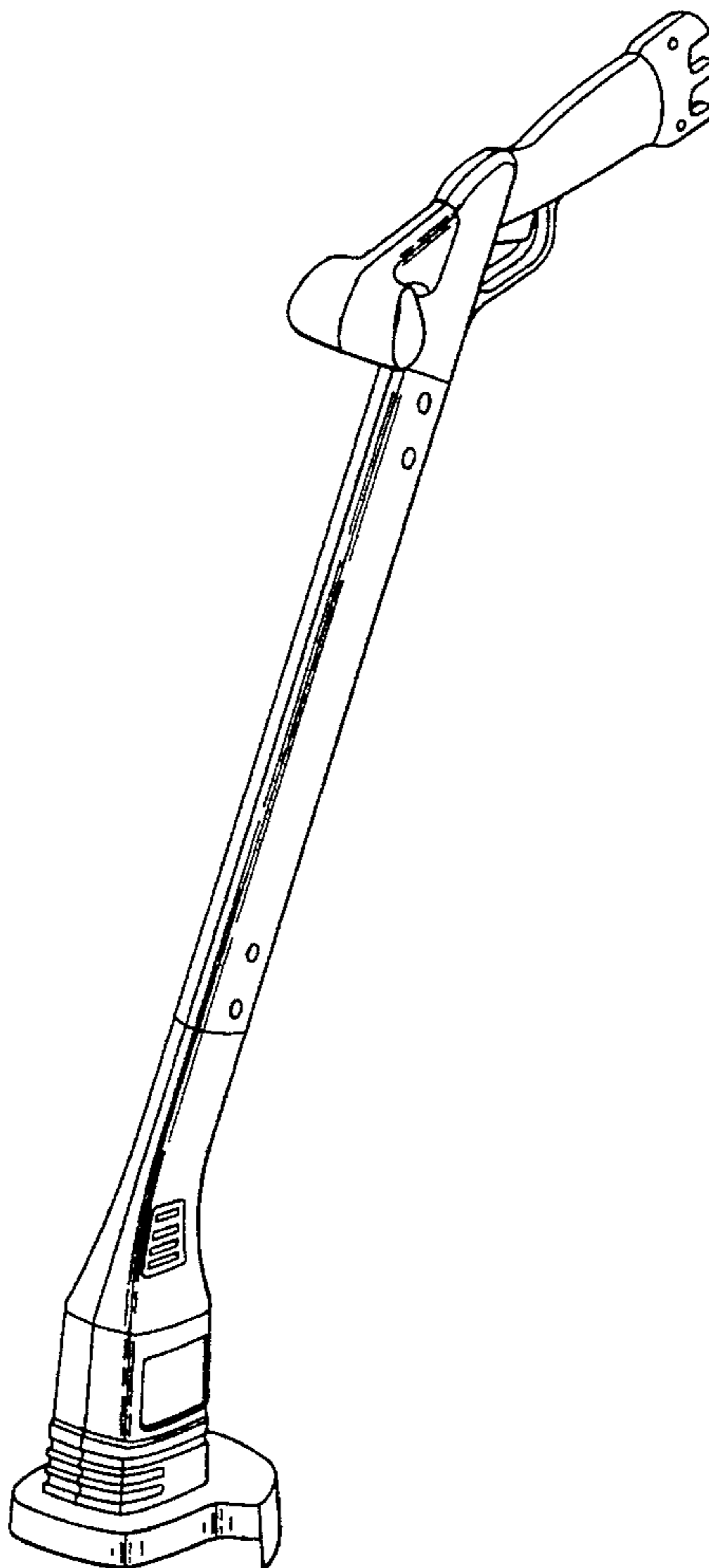


FIG 1

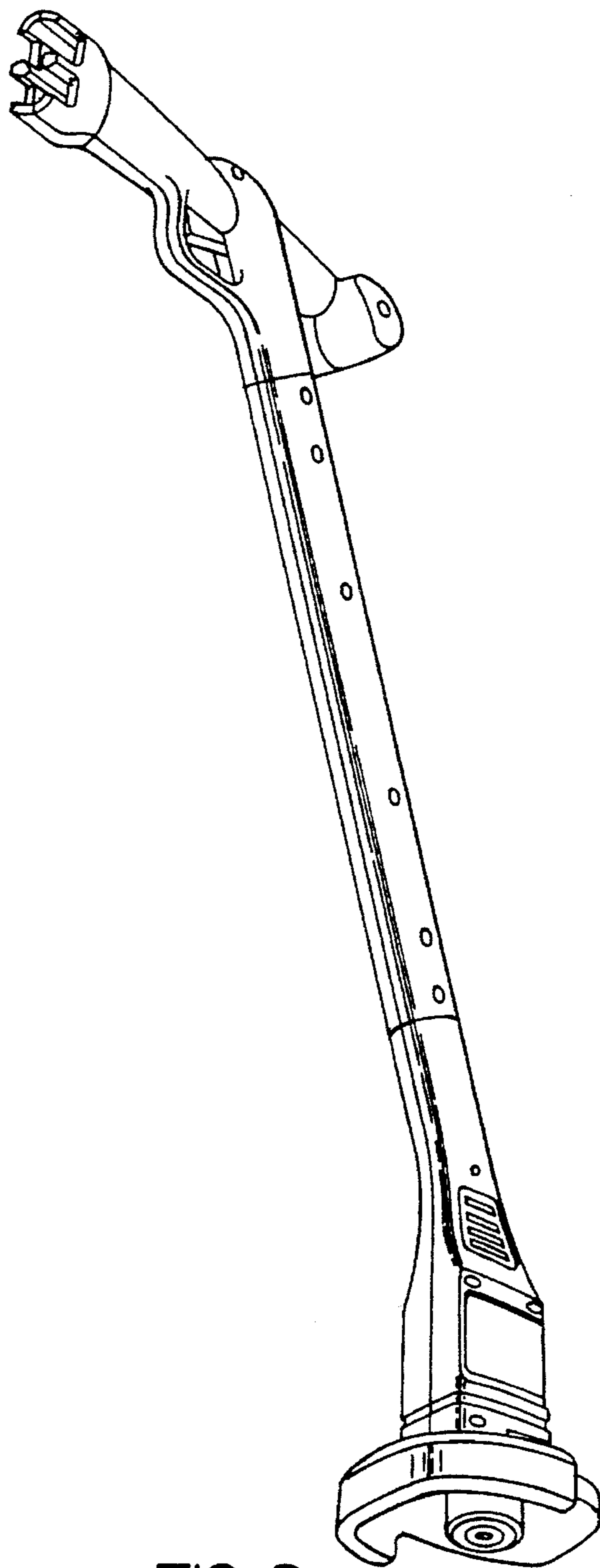
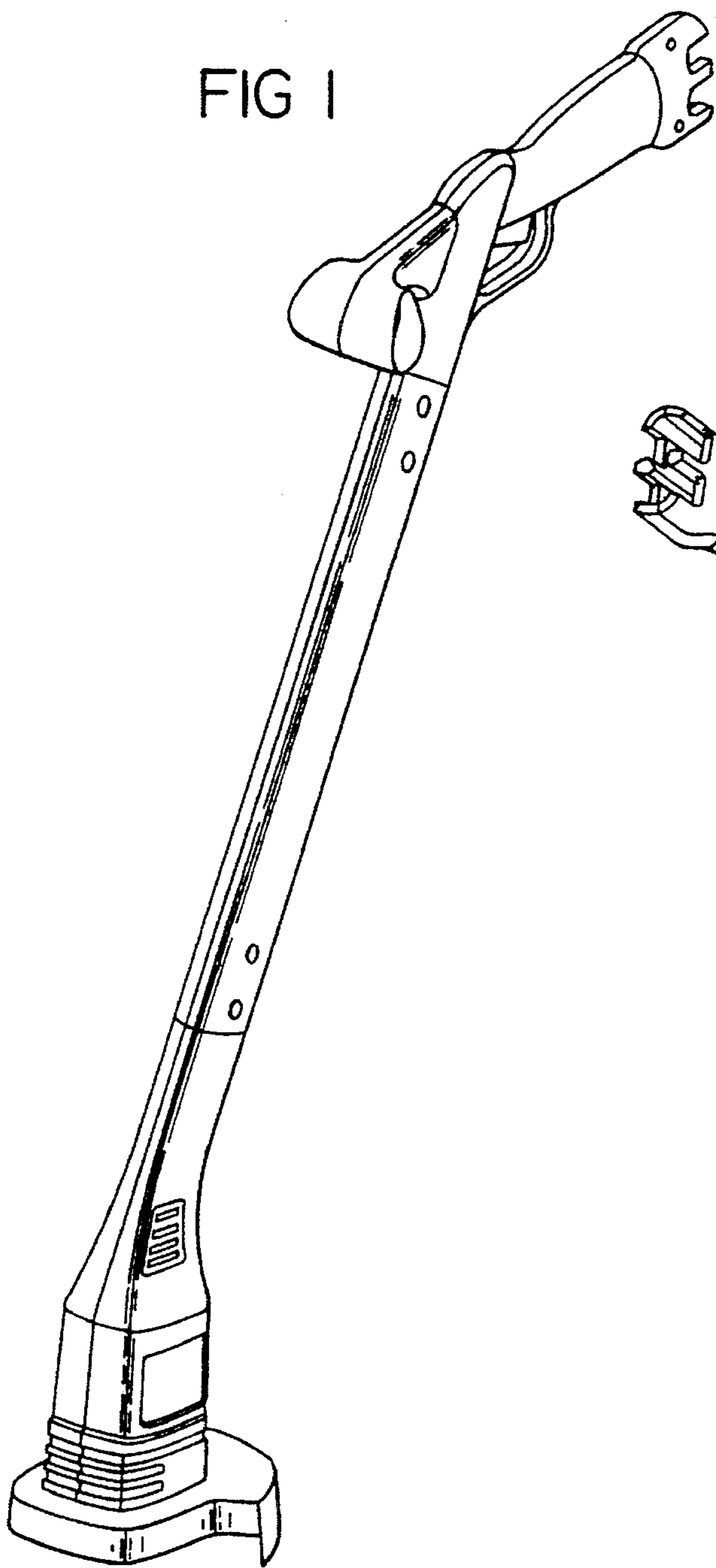


FIG 2

FIG 3

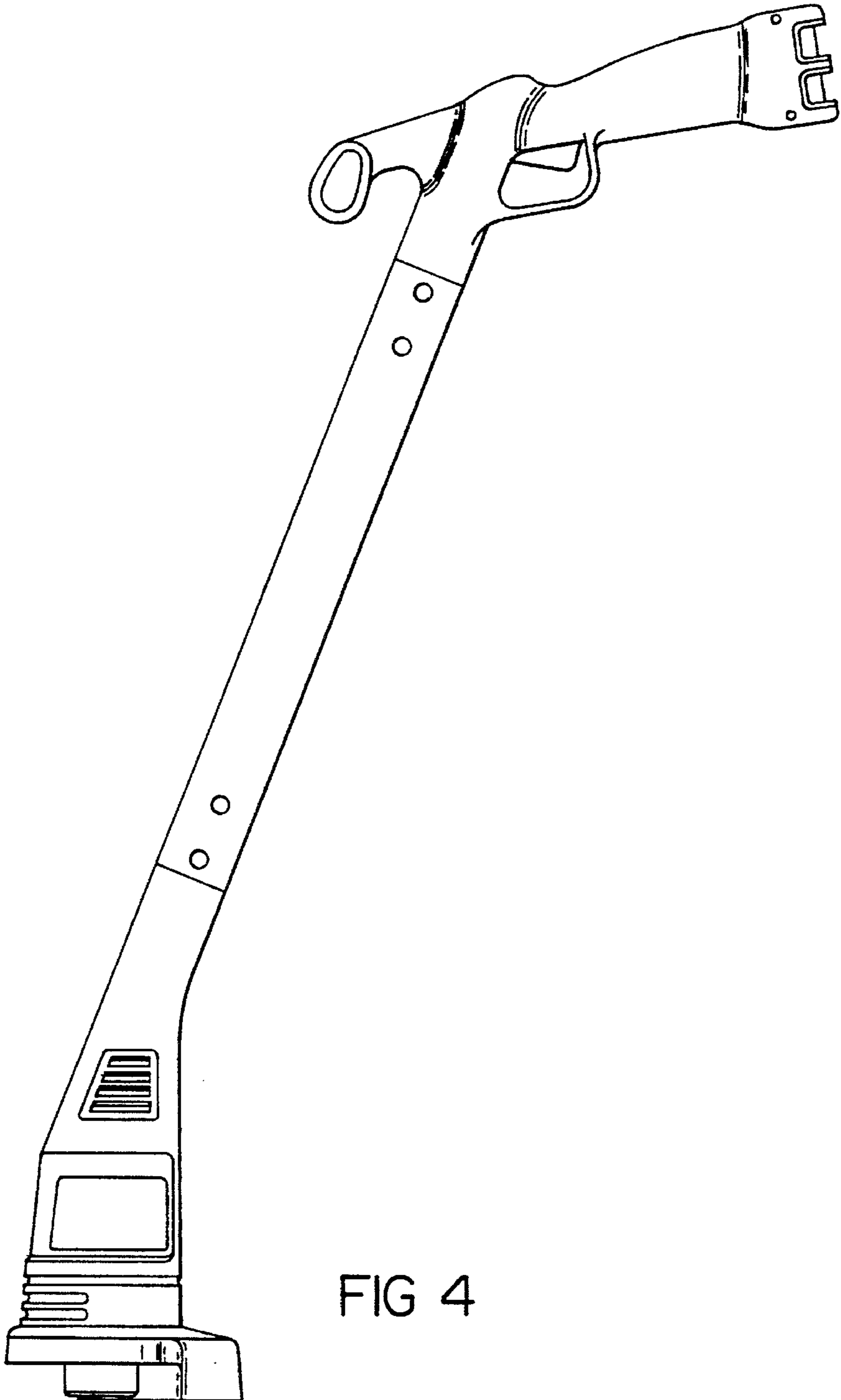
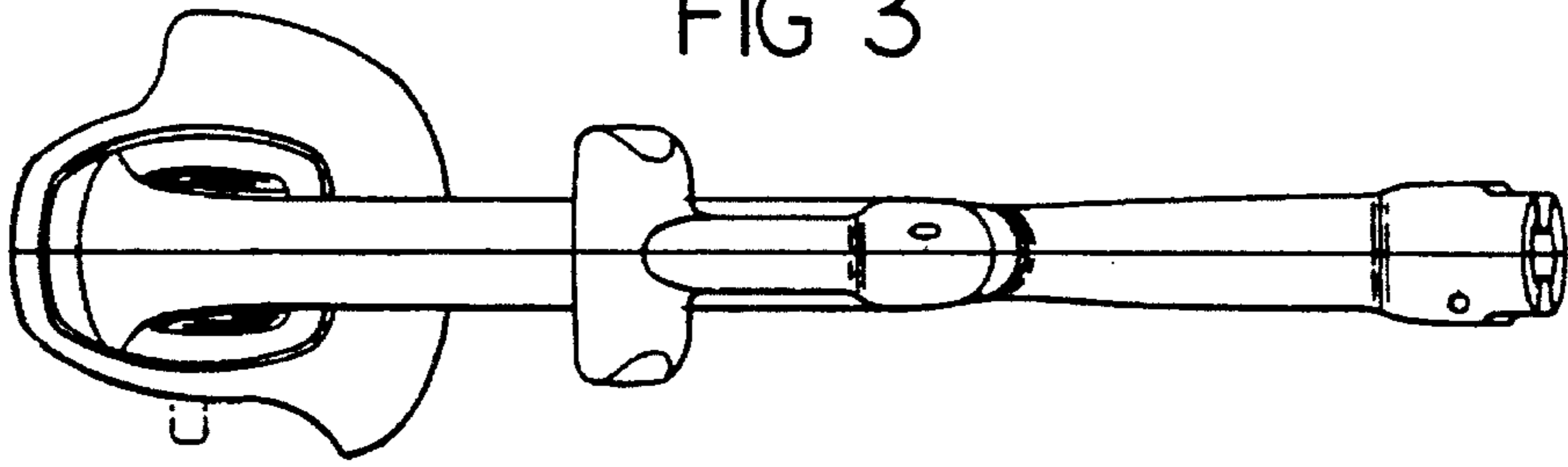
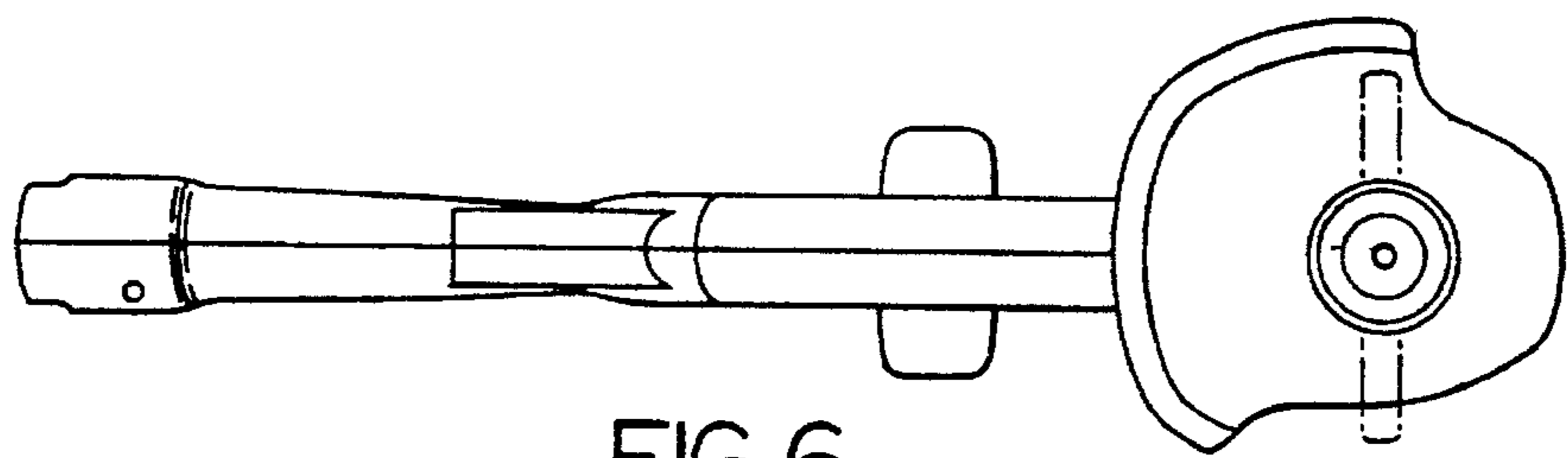
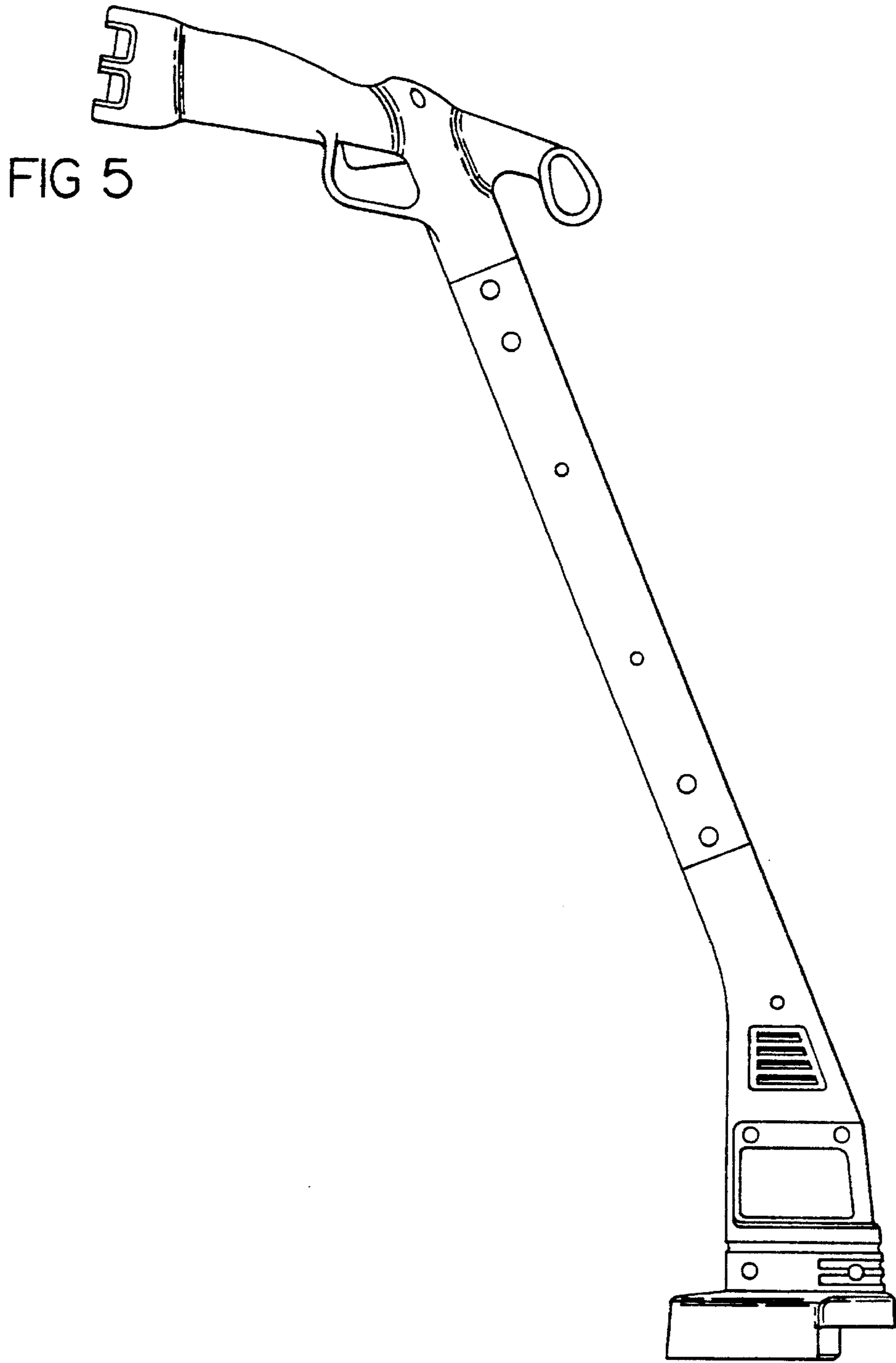


FIG 4



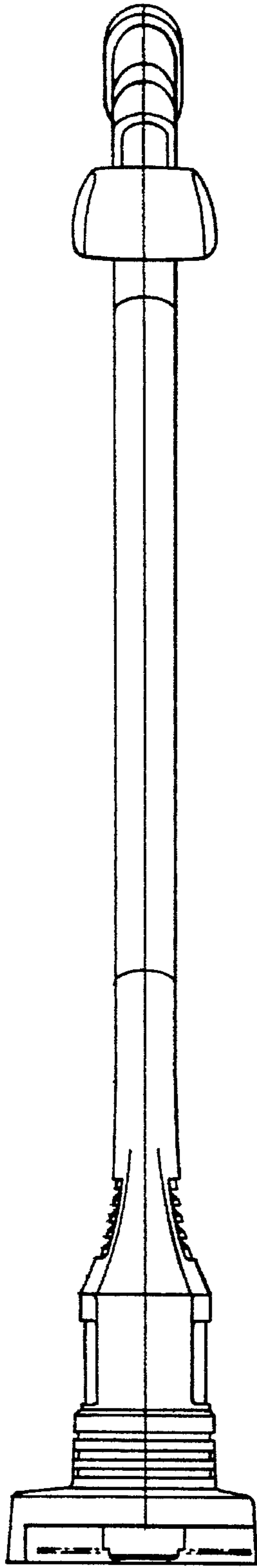


FIG 7

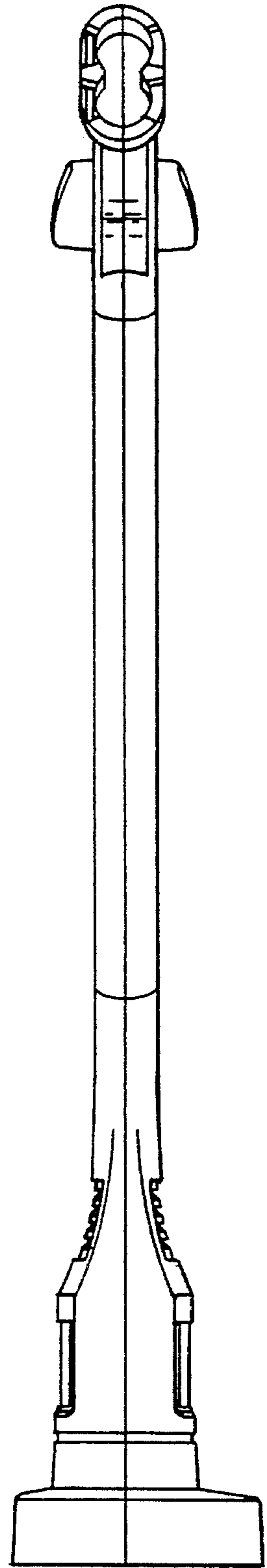


FIG 8