



US00D377741S

United States Patent [19]

[11] Patent Number: **Des. 377,741**

Bennett et al.

[45] Date of Patent: ****Feb. 4, 1997**

[54] SLEEVE FOR BOTTLE

[75] Inventors: **Tom B. Bennett; Kevin Rausch**, both of Wooster, Ohio

[73] Assignee: **Rubbermaid Specialty Products Inc.**, Wooster, Ohio

[**] Term: **14 Years**

[21] Appl. No.: **54,656**

[22] Filed: **May 17, 1996**

[52] U.S. Cl. **D7/622; D7/536**

[58] Field of Search **D7/619, 622, 533-536; 62/457.1, 457.3, 457.4; 211/71, 74; 220/737-739**

[56] References Cited

U.S. PATENT DOCUMENTS

D. 284,439	7/1986	Ventimiglia et al.	D9/70
D. 286,967	12/1986	Appel	D7/622 X
D. 321,457	11/1991	Kahl	D7/608
D. 325,687	4/1992	Embree	D7/510
D. 325,848	5/1992	Embree	D7/510
D. 326,586	6/1992	Embree	D7/510
D. 332,894	2/1993	Green	D7/511
D. 345,105	3/1994	Ramsey	D9/551
D. 347,553	6/1994	Schneider	D7/603
D. 364,781	12/1995	Fenton et al.	D7/624
3,995,445	12/1976	Hoskins	62/457.1
4,255,944	3/1981	Gardner	62/457
4,324,111	4/1982	Edwards	62/457
4,338,795	7/1982	House	62/372
4,344,303	8/1982	Kelly	62/530
4,393,975	7/1983	Moore	206/385
4,413,481	11/1983	Thomas	62/371
4,653,290	3/1987	Byrne	62/372
4,715,633	12/1987	Brink et al.	220/737 X
4,746,028	5/1988	Bagg	D7/622 X
4,831,842	5/1989	Kelley et al.	62/457.4
4,882,914	11/1989	Haines-Keeley	62/457.4
4,908,248	3/1990	Nakashima et al.	428/355
4,932,225	6/1990	Bighouse	62/457.4
4,986,089	1/1991	Raab	62/457.4
4,989,418	2/1991	Hewlett	62/457.4
5,067,922	11/1991	McMahon	446/71
5,115,940	5/1992	Friedman	220/737
5,188,877	2/1993	Magaro	428/80
5,269,368	12/1993	Schneider et al.	165/46
5,467,891	11/1995	Perry	220/739

OTHER PUBLICATIONS

P. 25, Sleeve for bottle; Igloo Products Corp., P.O. Box 19322, Houston, Texas 77224 Publication date 1993.

Advertisement, Sleeve for bottle; Software™, Sinclair & Rush, Inc., 13515 Barret Parkway Drive, St. Louis, Missouri 63021-5880, Published at least as early as May, 1996.

P. 38, Sleeves for bottles; The Coleman Company, Inc., P.O. Box 2931, Wichita, Kansas 67201, Publication date 1994.

P. 55, Sleeves for bottles; The Coleman Company, Inc., P.O. box 2931, Wichita, Kansas 67201, Publication date 1994.

Label, Sleeve for bottle; Candea Inc., 2110 Williams Parkway, Unit 12, Brampton, Ontario, Canada L6S 5X6, Published at least as early as May, 1996.

P. 59, Rapid Ice® Sleeve for bottle; Chef's Catalog, address unknown, Published at least as early as May, 1996.

Advertisement, Water Sleeve for bottle; The Container Store, address unknown, Published at least as early as May, 1996.

P. 2, Sleeves for bottles; Rubbermaid Incorporated, Specialty Products Division, 1147 Akron Road, Wooster, Ohio 44691, Publication date 1991.

Primary Examiner—Terry A. Wallace

Attorney, Agent, or Firm—Richard B. O'Planick; Lisa B. Riedesel

[57] CLAIM

The ornamental design for a sleeve for bottle, as shown and described.

DESCRIPTION

FIG. 1 is a top left front perspective view of a sleeve for bottle showing our new design;

FIG. 2 is a front elevational view thereof; the rear elevational view being a mirror image;

FIG. 3 is a right side elevational view thereof;

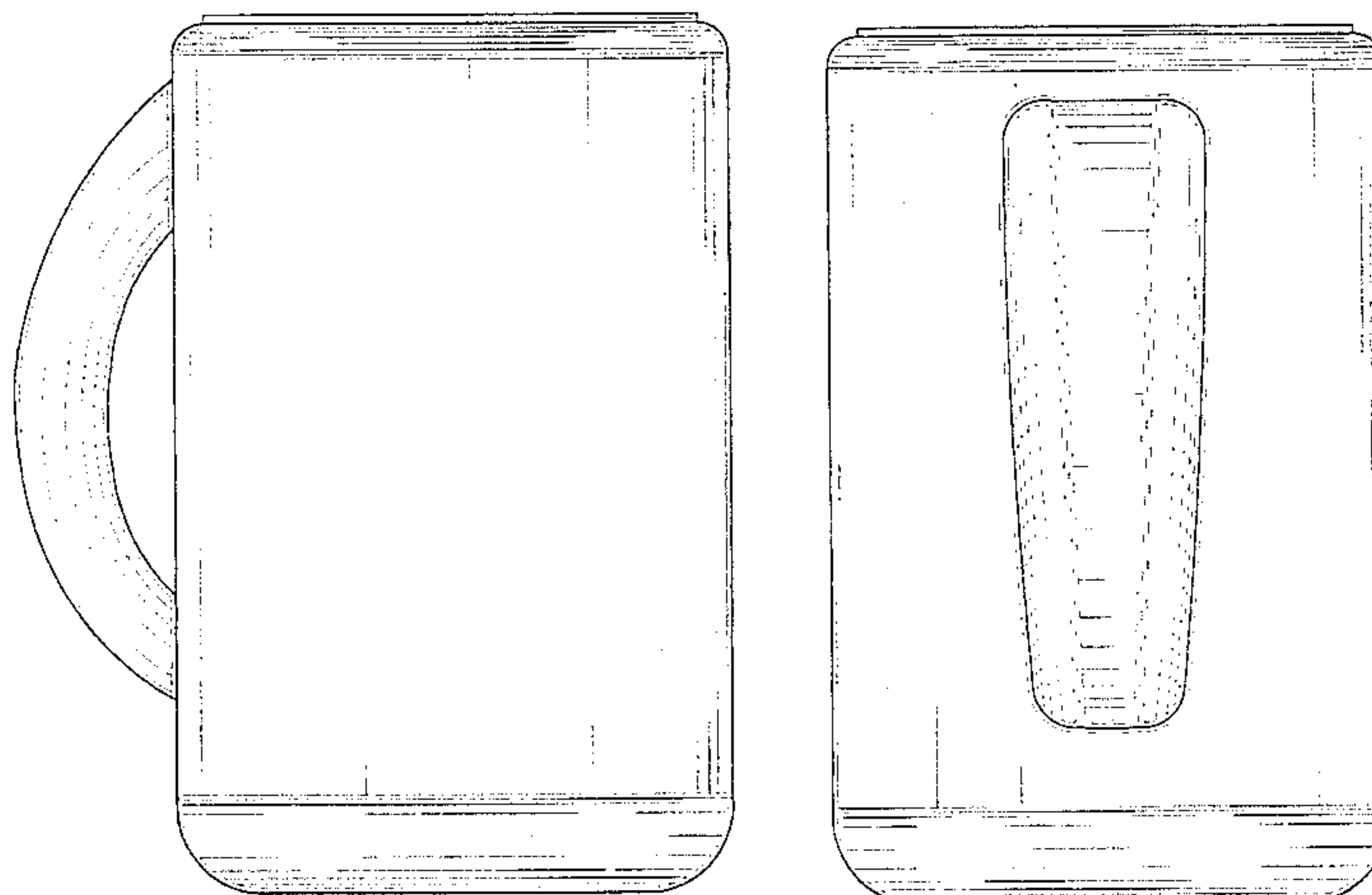
FIG. 4 is a left side elevational view thereof;

FIG. 5 is a top plan view thereof;

FIG. 6 is a bottom plan view thereof; and,

FIG. 7 is a top left front perspective view thereof, showing, in phantom, a type of bottle that can be placed inside the sleeve for bottle. The broken lines are for illustrative purposes only and form no part of the claimed design.

1 Claim, 6 Drawing Sheets



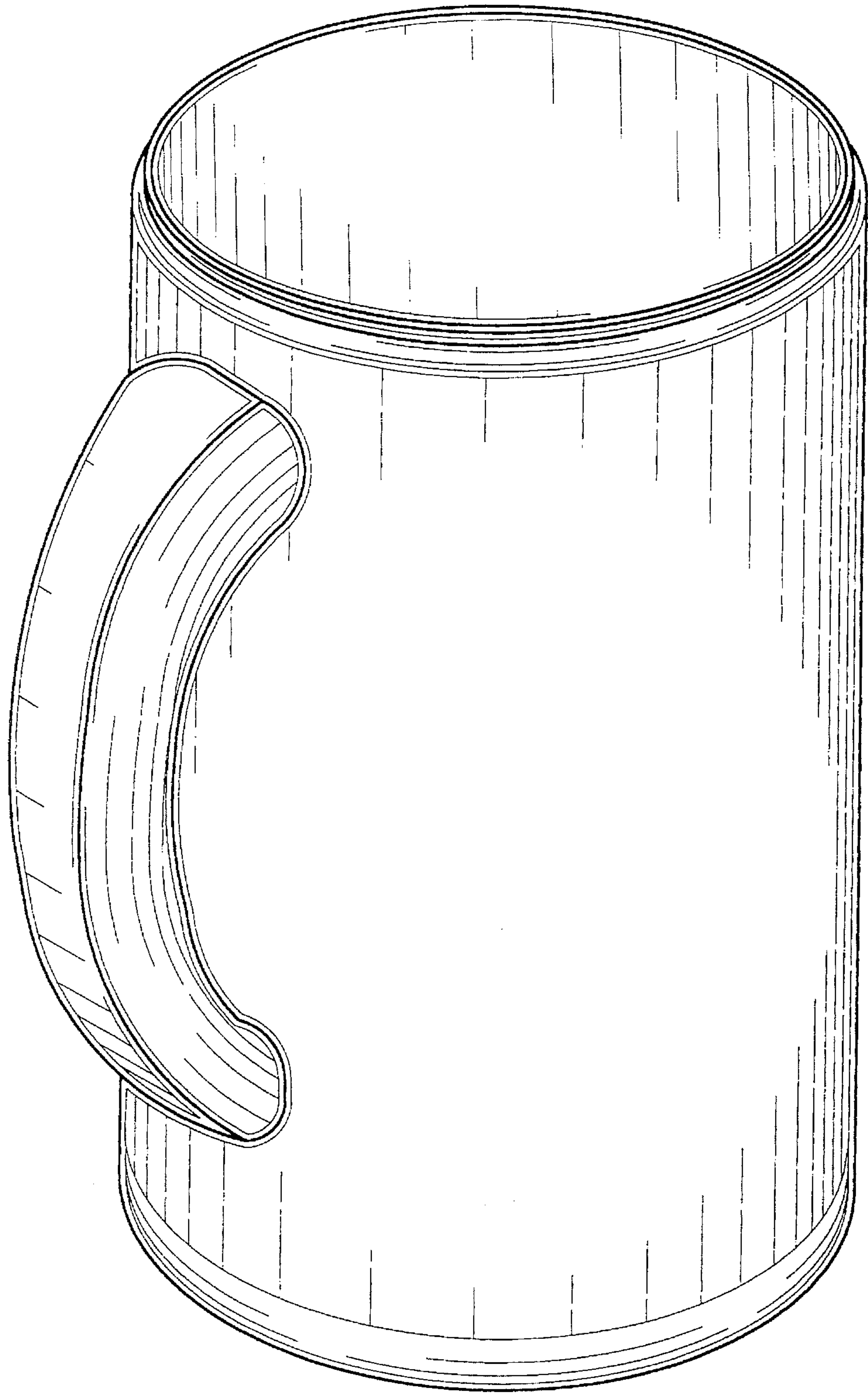


FIG. 1

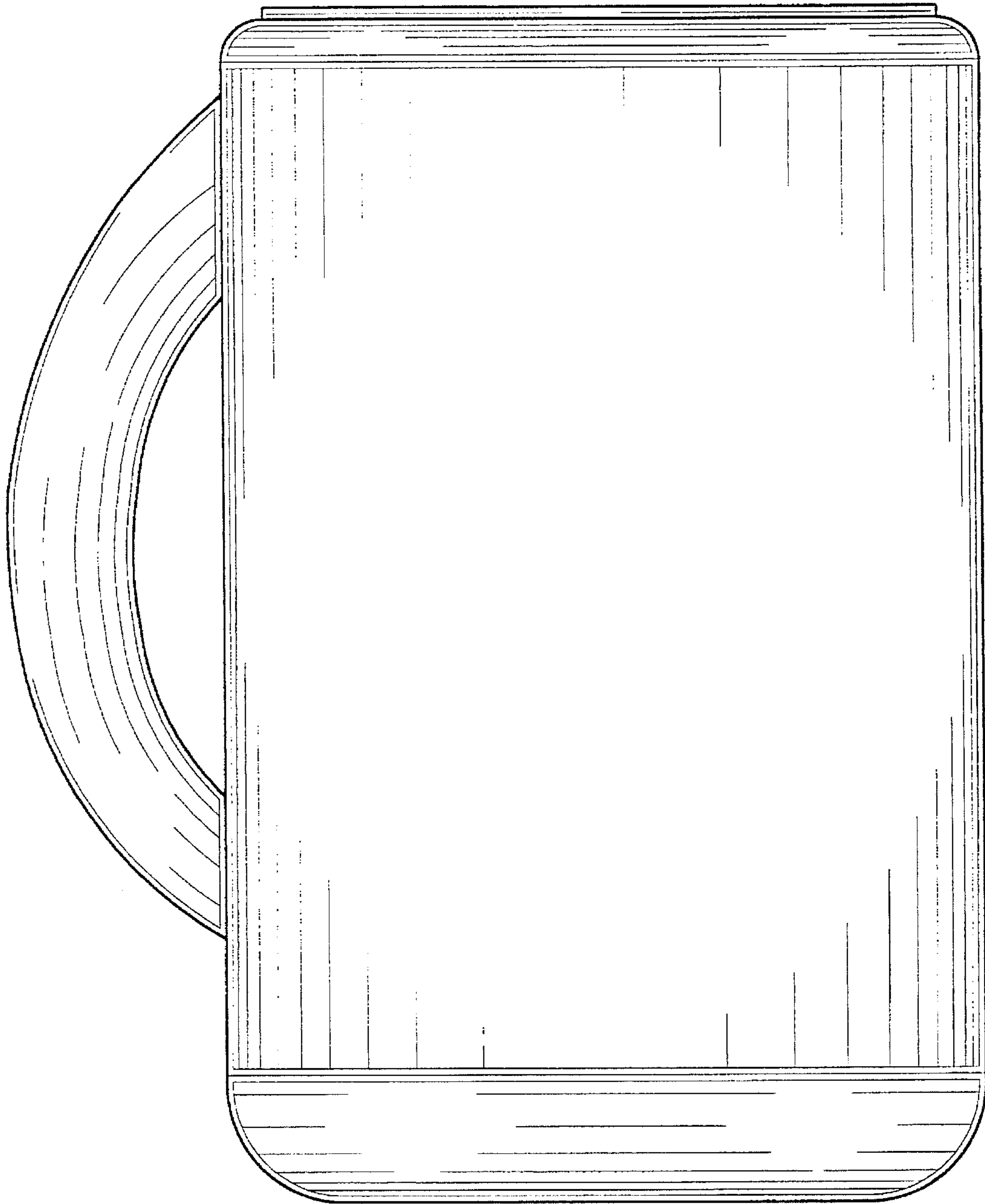


FIG. 2

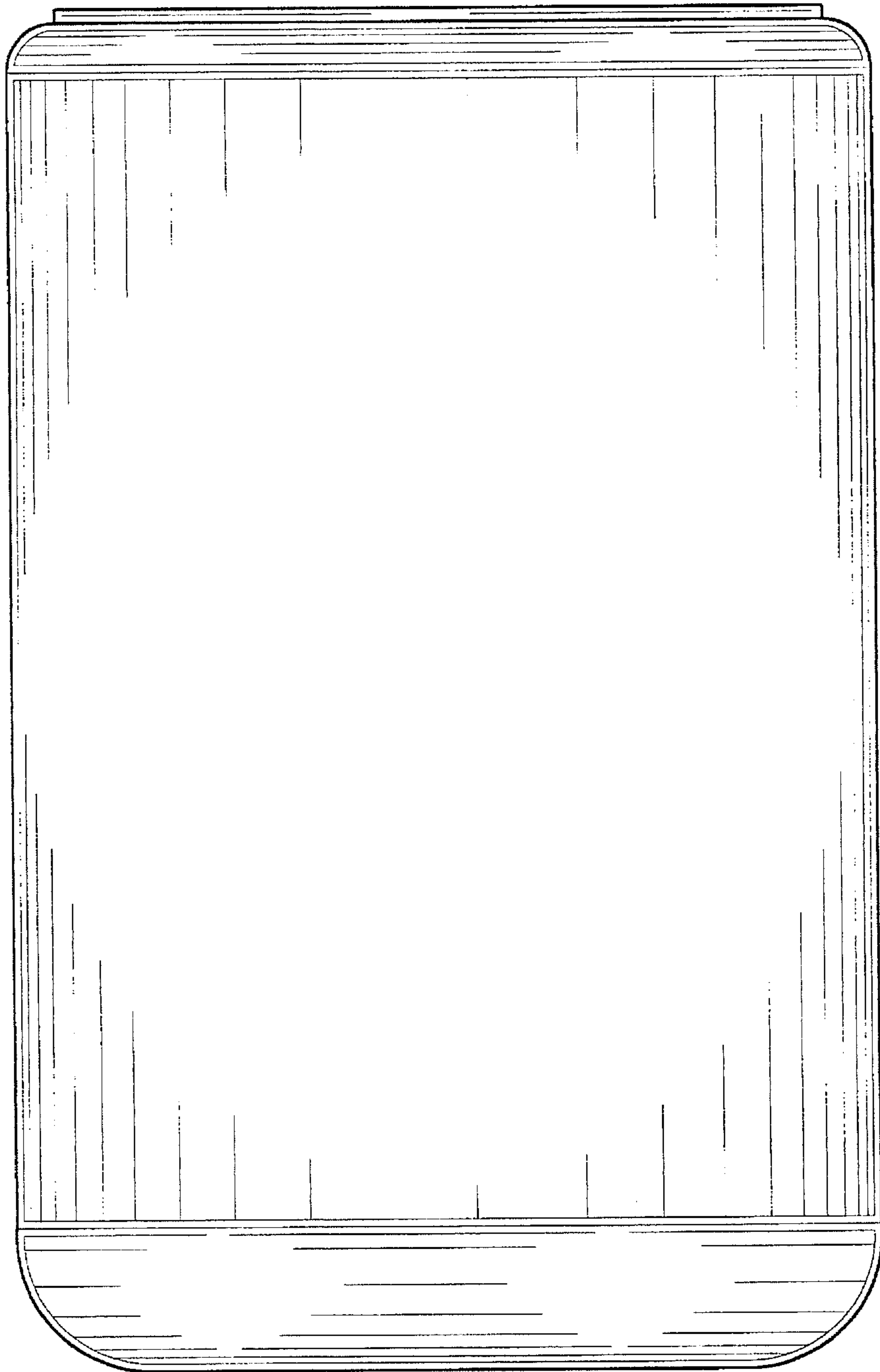


FIG. 3

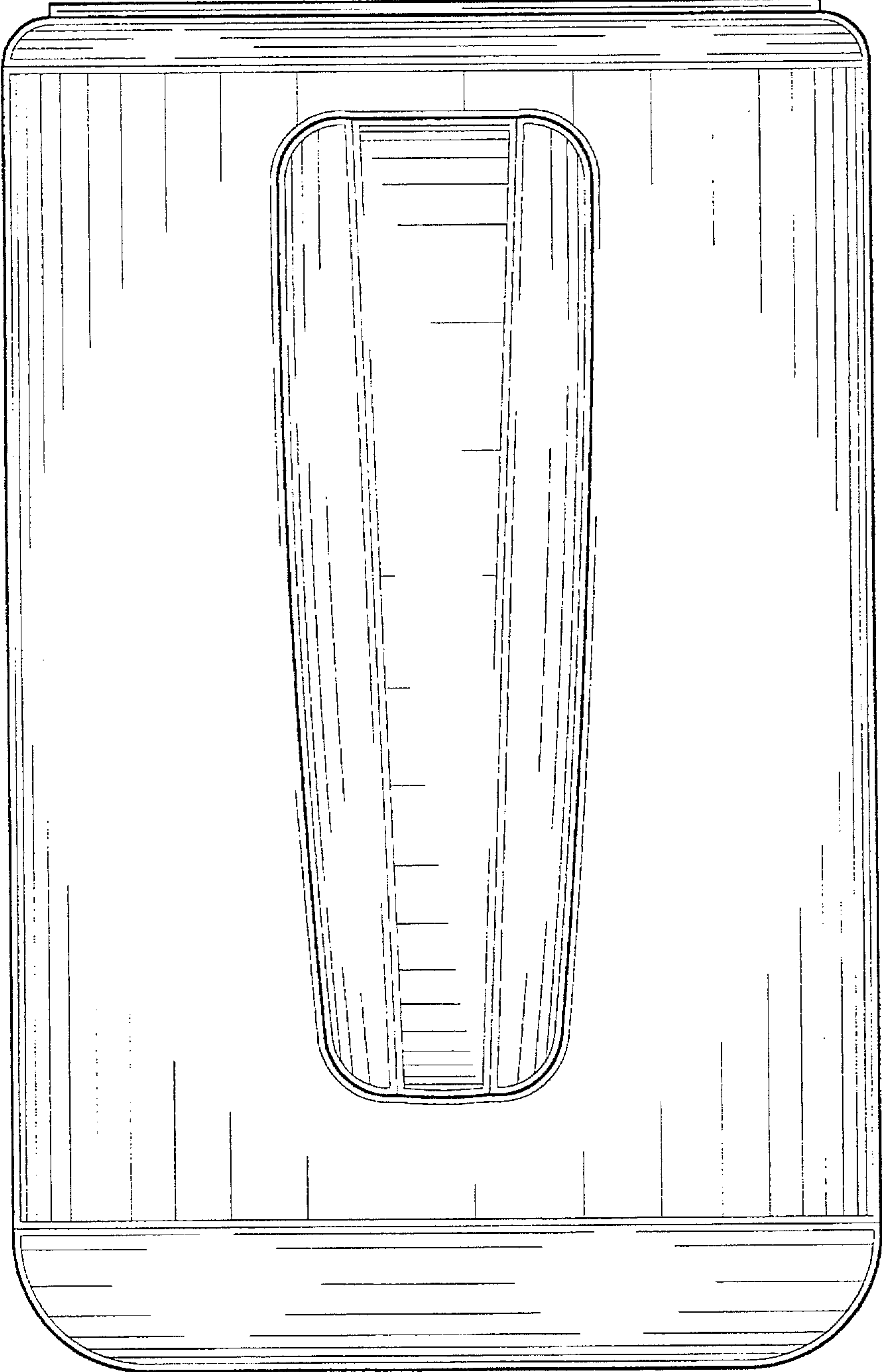


FIG. 4

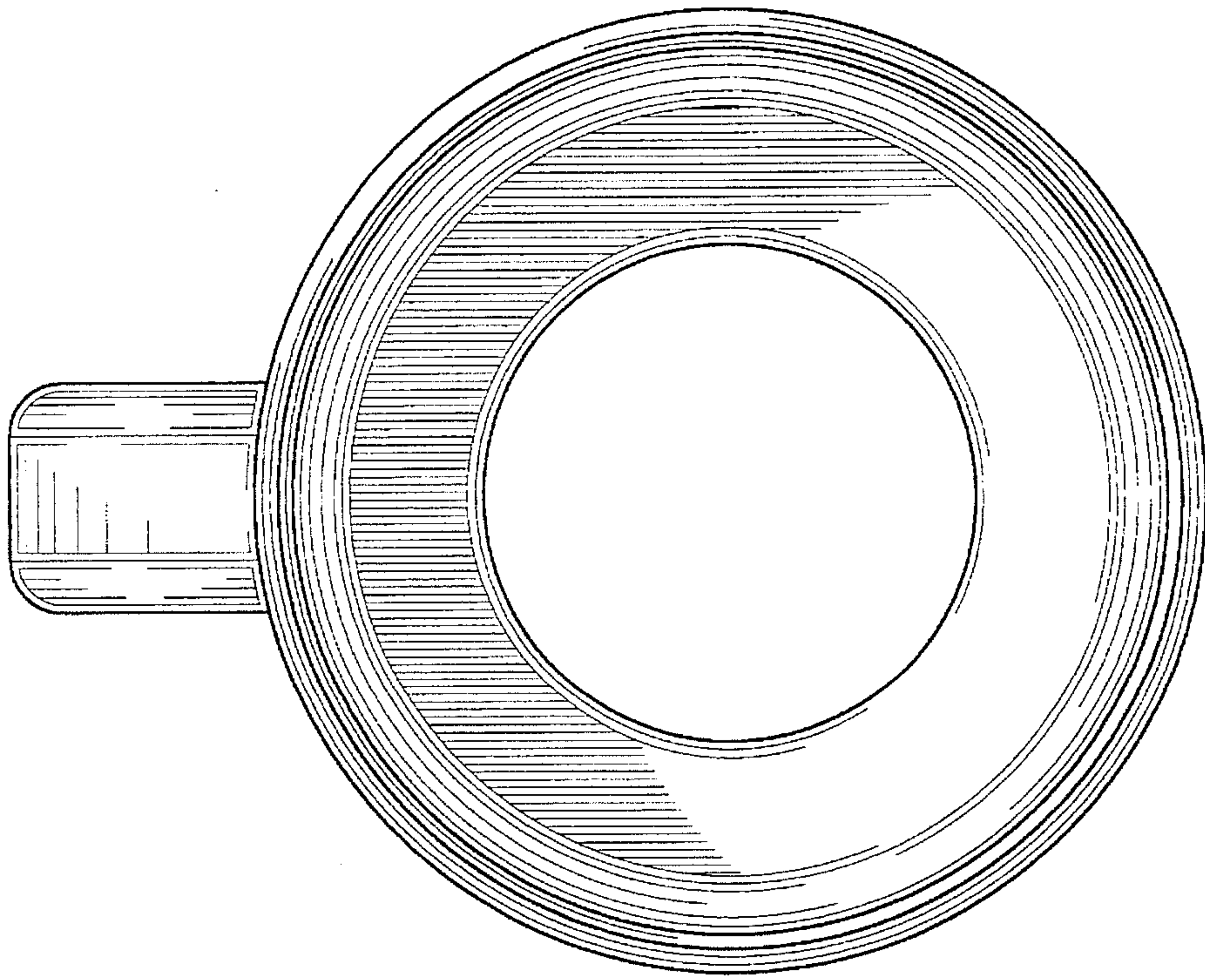


FIG. 5

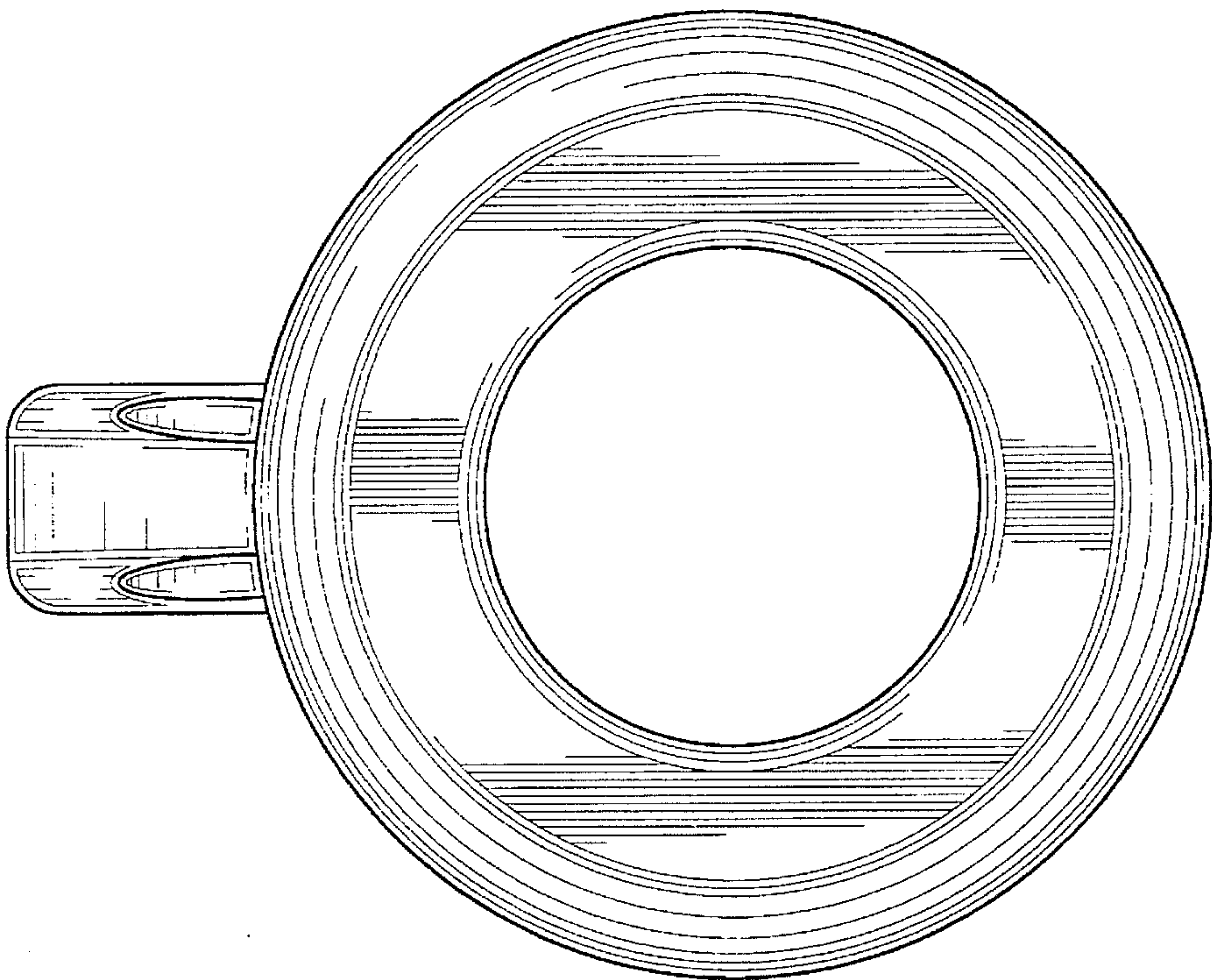


FIG. 6

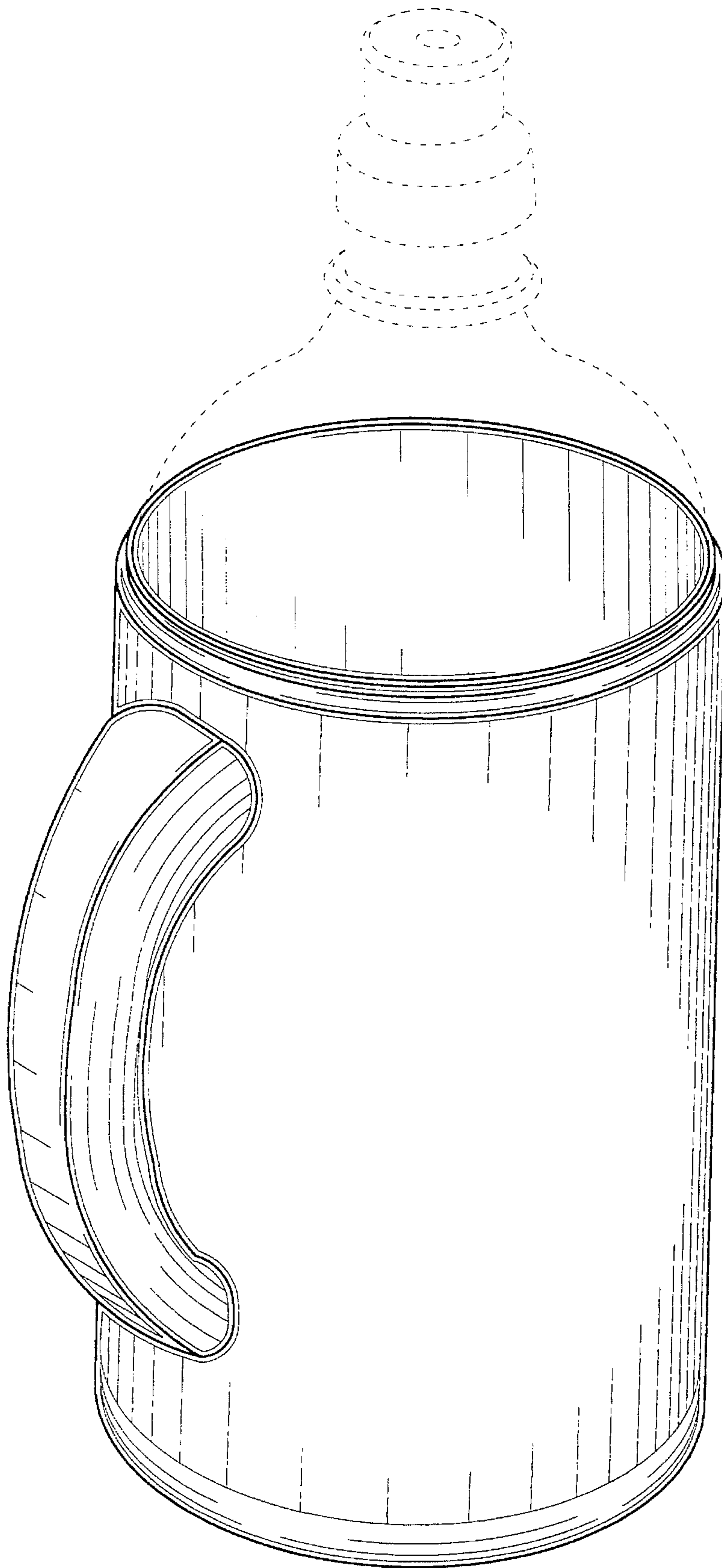


FIG. 7