



US00D377739S

**United States Patent** [19]  
**Carlson**

[11] **Patent Number: Des. 377,739**

[45] **Date of Patent: \*\*Feb. 4, 1997**

[54] **CONTAINER**

[75] Inventor: **Arthur R. Carlson**, East Hawthorn,  
Australia

[73] Assignee: **The Decor Corporation Pty Ltd.**,  
Victoria, Australia

[\*\*] Term: **14 Years**

[21] Appl. No.: **40,693**

[22] Filed: **Jun. 23, 1995**

[30] **Foreign Application Priority Data**

Dec. 23, 1994 [AU] Australia ..... 4318/94

[52] **U.S. Cl.** ..... **D7/602; D9/425**

[58] **Field of Search** ..... **D7/538-549, 602,**  
**D7/614-615, 629; D9/424, 425, 430; 206/505,**  
**507, 514, 515; 220/574, 657, 669, 675**

[56] **References Cited**

**U.S. PATENT DOCUMENTS**

D. 281,048	10/1985	Wolff	.....	D7/602
D. 282,808	3/1986	Daenen et al.	.....	D7/602
D. 332,204	1/1993	Carlson	.....	D7/629
3,521,788	7/1970	Kandel et al.	.....	229/403 X

**OTHER PUBLICATIONS**

Tupperware, 1986, p. 21, Loaf Keeper 284.  
Tupperware, 1986 p. 19, Bacon Keeper 269.

*Primary Examiner*—Terry A. Wallace  
*Attorney, Agent, or Firm*—Thompson Hine & Flory P.L.L.

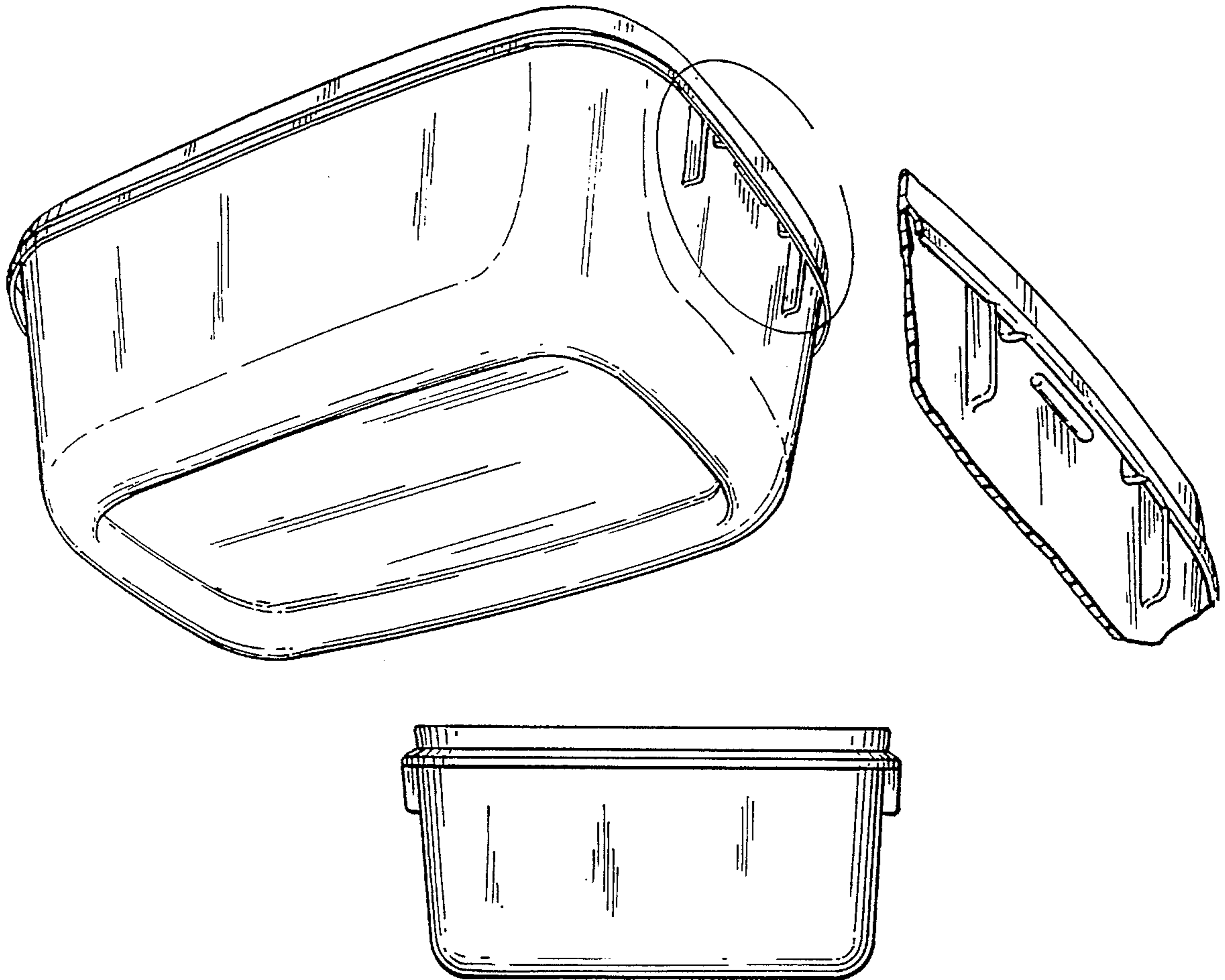
[57] **CLAIM**

The ornamental design for a container, as shown and described.

**DESCRIPTION**

FIG. 1 is a perspective view from below of a container showing my new design;  
FIG. 2 is an enlarged fragmentary perspective view thereof, showing a portion of the rim;  
FIG. 3 is a top plan view thereof;  
FIG. 4 is a side elevational view thereof, the opposite side being identical thereto;  
FIG. 5 is a front elevational view thereof, the rear elevational view being identical thereto;  
FIG. 6 is a bottom plan view thereof; and,  
FIG. 7 is a cross-sectional view taken along line 7—7 of FIG. 3.

**1 Claim, 3 Drawing Sheets**



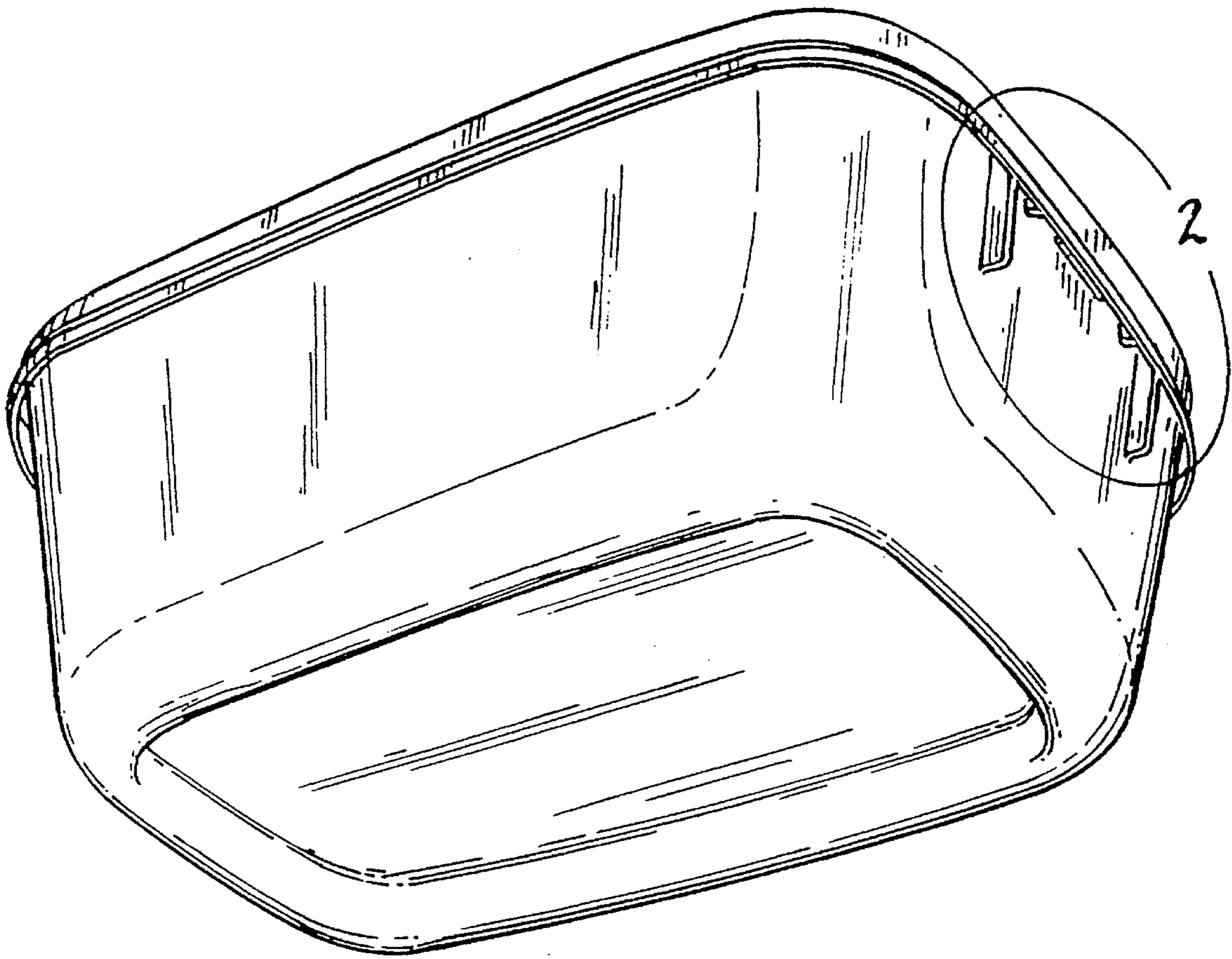


FIG. 1.

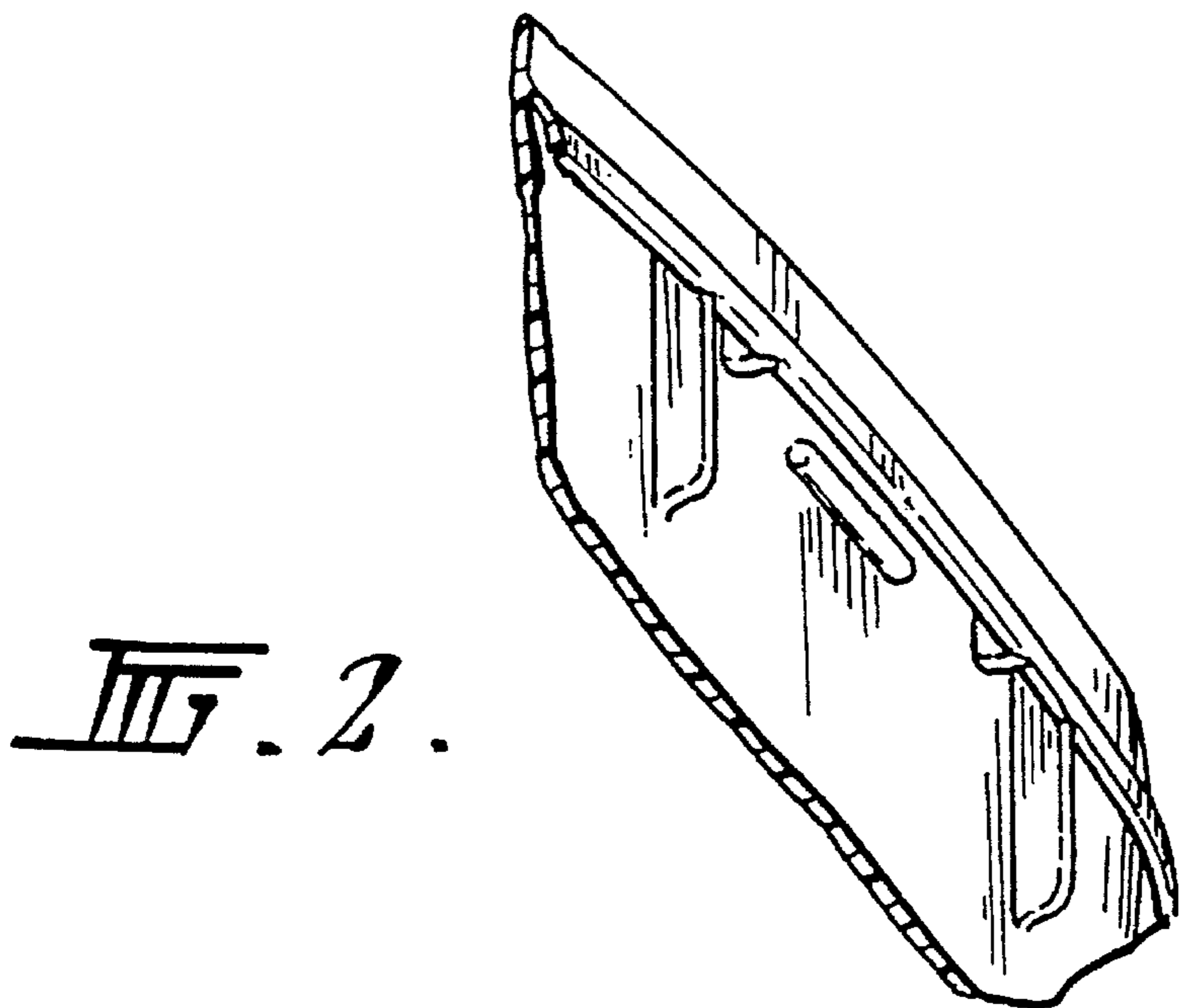
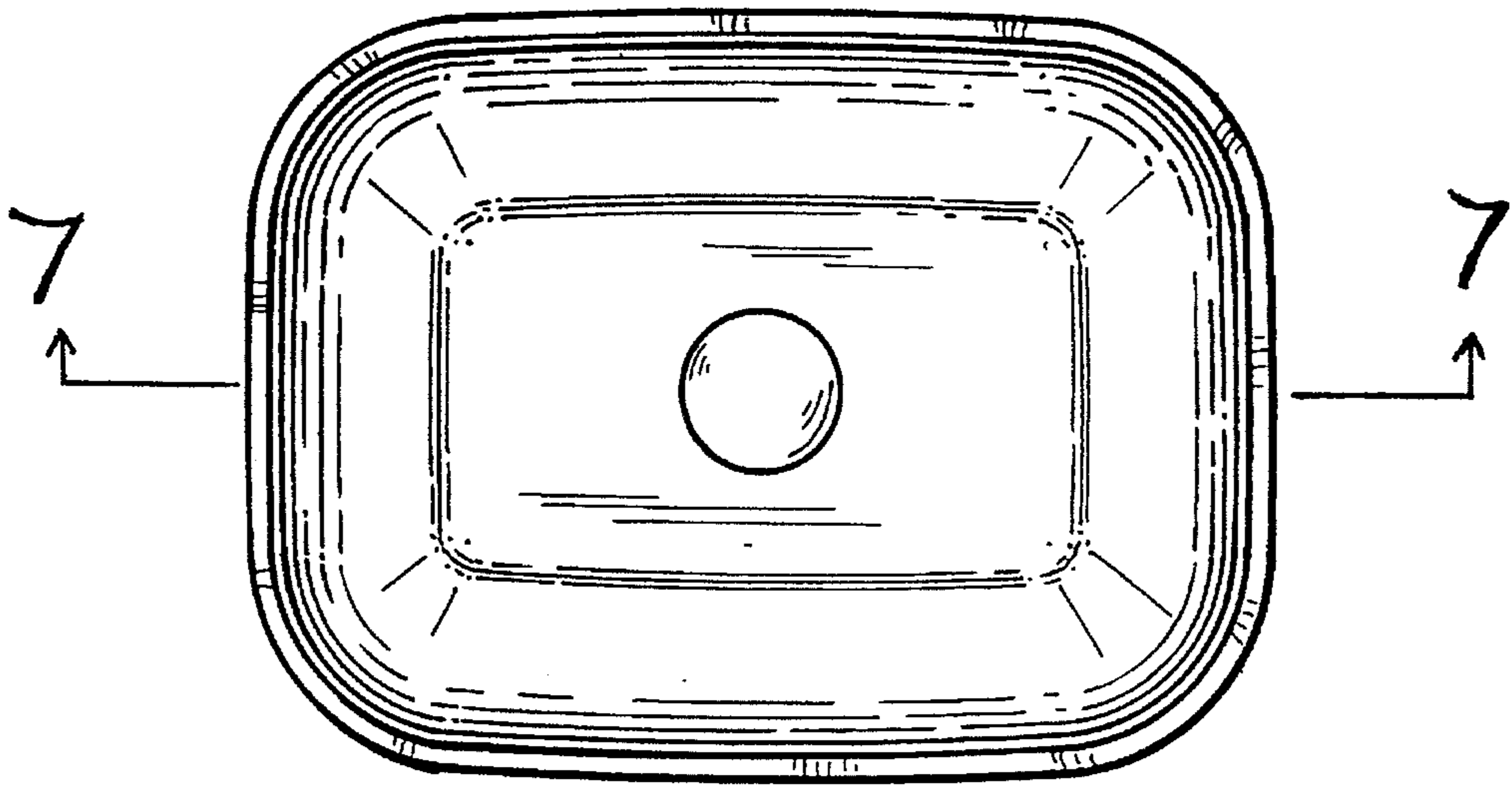
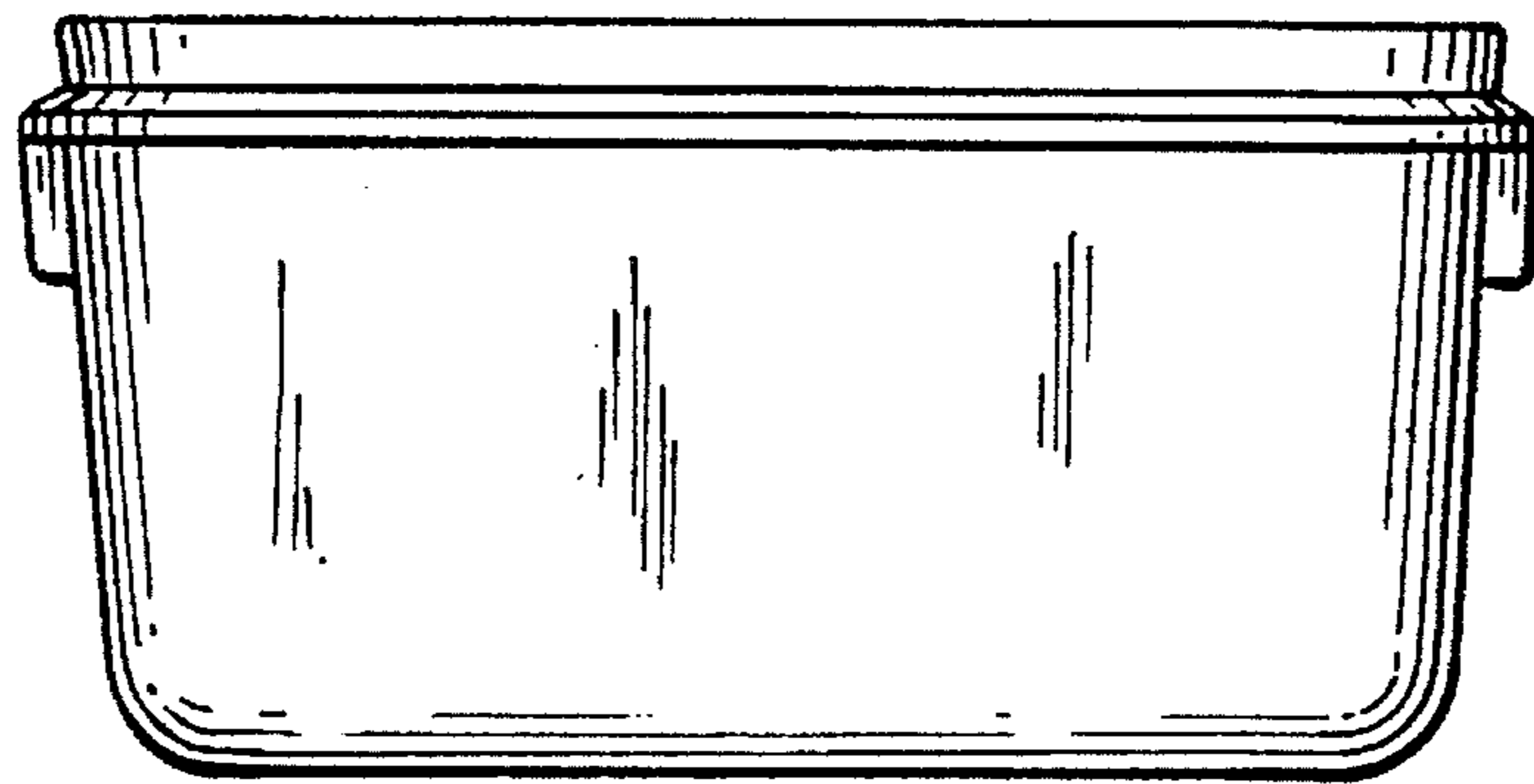


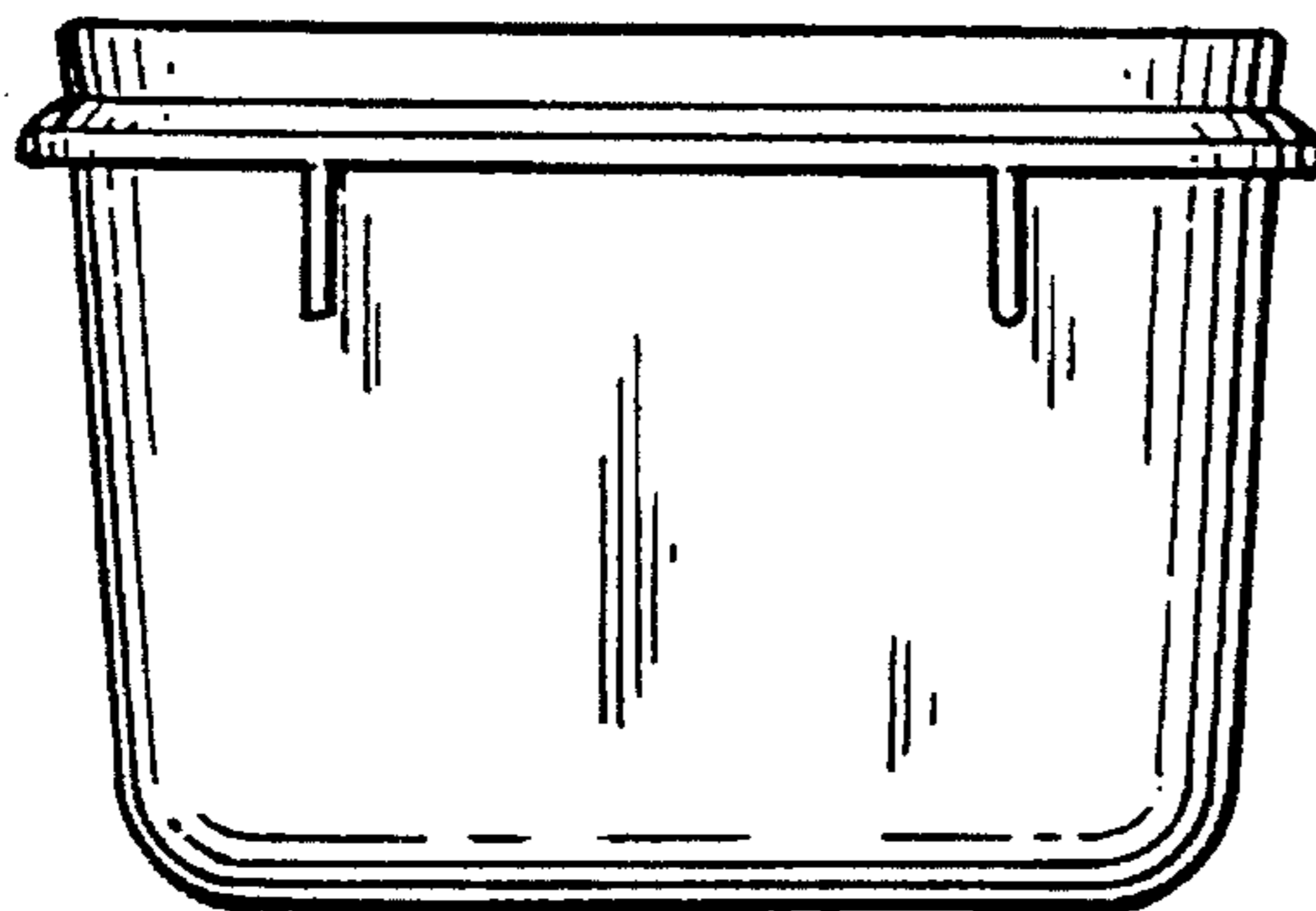
FIG. 2.



*FIG. 3.*



*FIG. 4.*



*FIG. 5.*

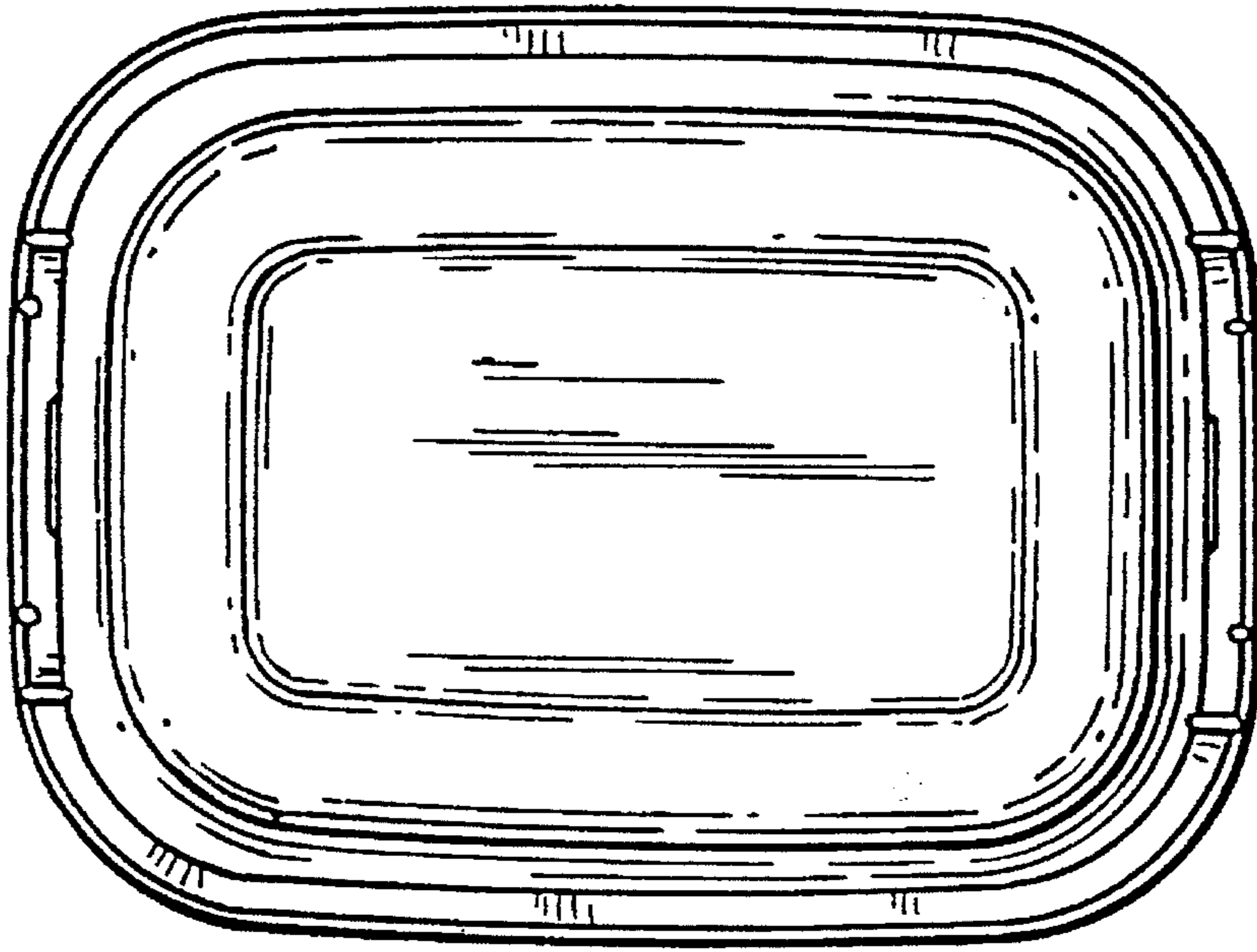


FIG. 6.

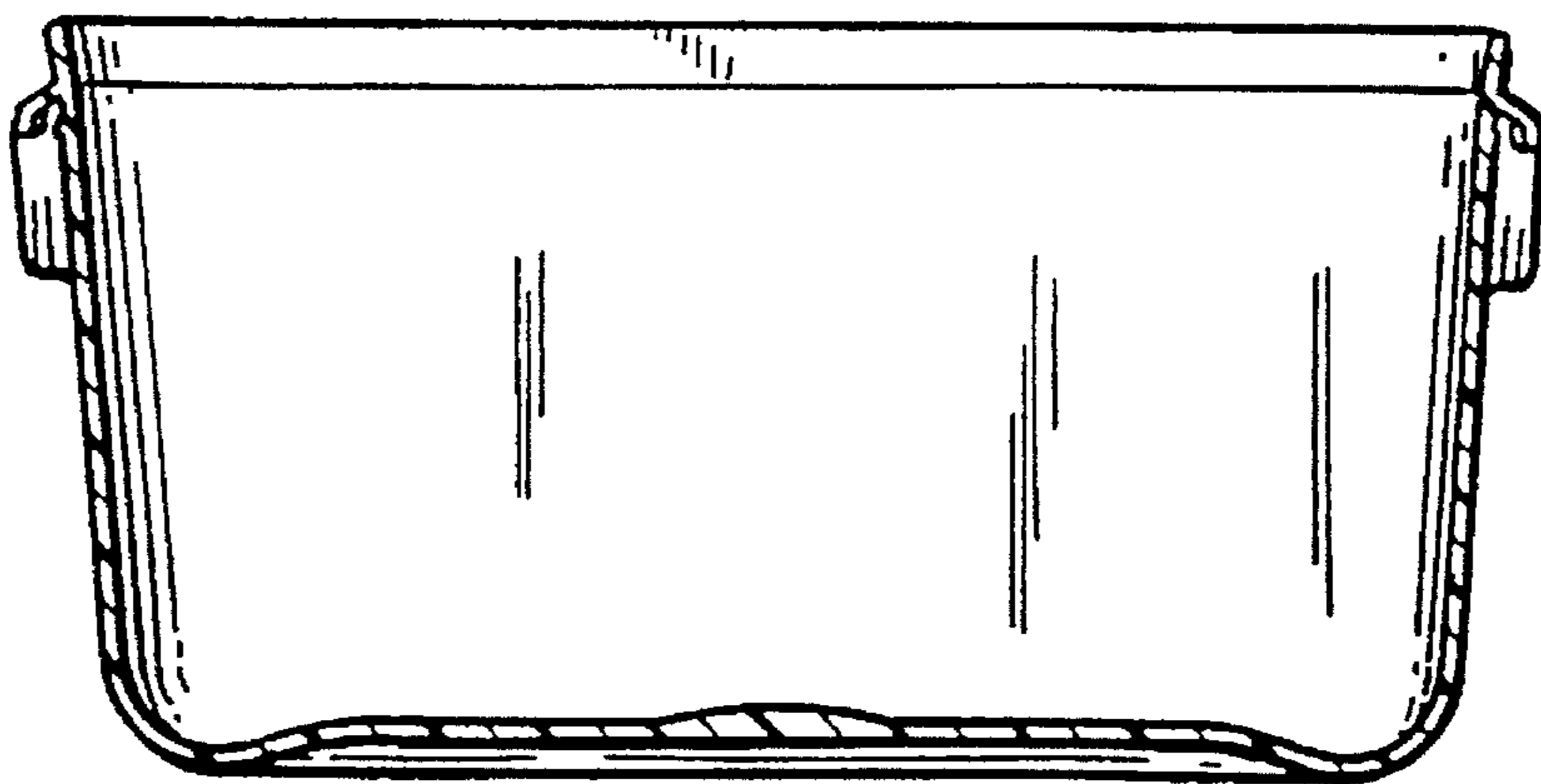


FIG. 7.