



US00D377735S

**United States Patent** [19]  
**Craven**

[11] **Patent Number:** **Des. 377,735**

[45] **Date of Patent:** **\*\*Feb. 4, 1997**

[54] **BARBECUE GRILL SHELF**

4,836,403 6/1989 Blackman ..... 211/88 X  
5,104,080 4/1992 Berger ..... 211/90

[75] Inventor: **Joseph B. Craven**, Columbus, Ga.

*Primary Examiner*—James M. Gandy

[73] Assignee: **W. C. Bradley Company**, Columbus, Ga.

*Assistant Examiner*—Linda Brooks

*Attorney, Agent, or Firm*—James W. Kayden; Hopkins & Thomas

[\*\*] Term: **14 Years**

[57] **CLAIM**

[21] Appl. No.: **27,111**

The ornamental design of a barbecue grill shelf, as shown and described.

[22] Filed: **Aug. 12, 1994**

[52] U.S. Cl. .... **D7/406**

**DESCRIPTION**

[58] **Field of Search** ..... D7/331, 332, 335, D7/337, 339, 362, 364, 367, 407, 408, 406, 590, 403, 409; 248/310; 211/126, 134, 74, 35, 88, 90; 99/376, 413, 450; D6/511

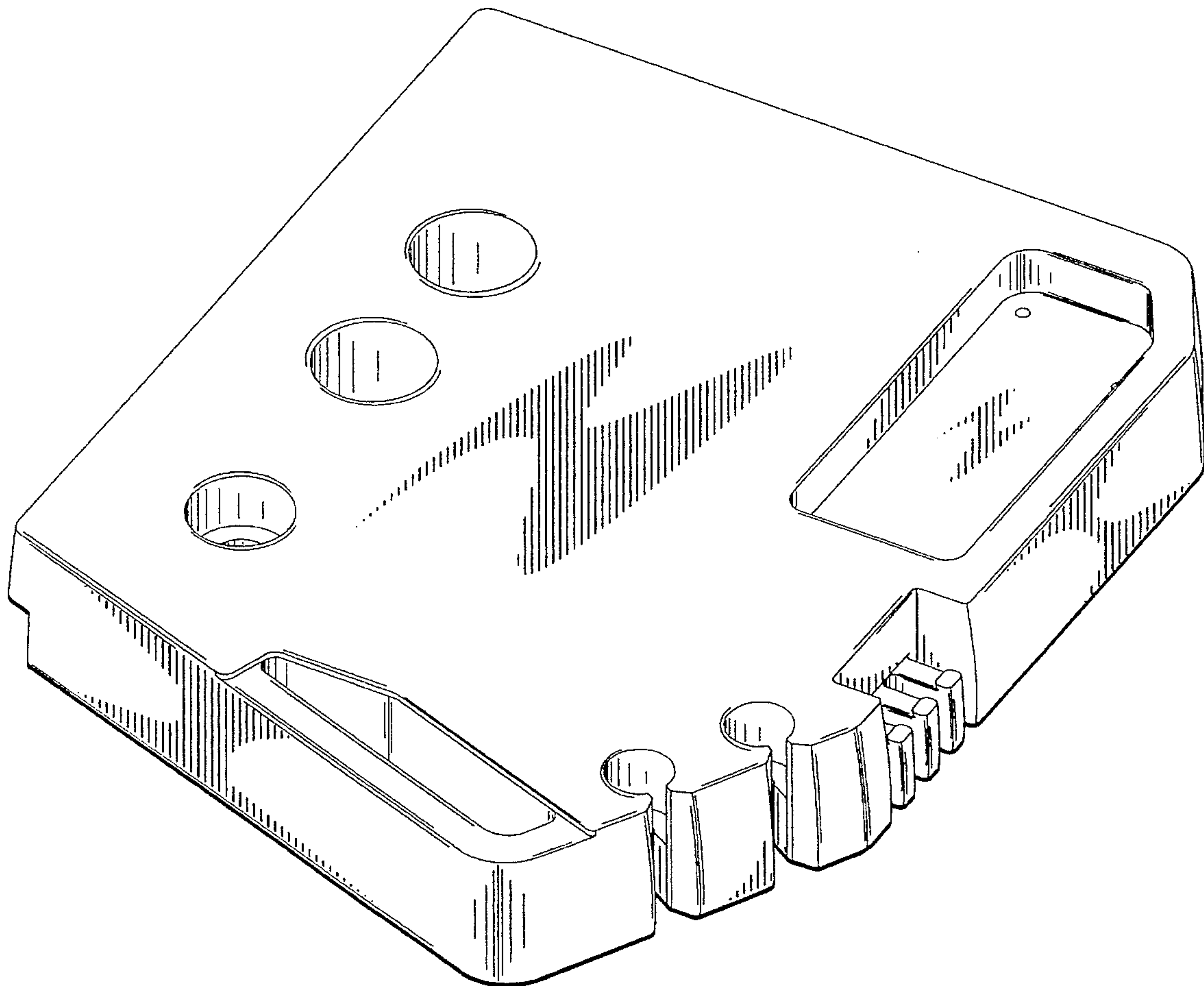
FIG. 1 is a perspective view of my new barbecue grill shelf; FIG. 2 is a left side elevational view thereof; FIG. 3 is a right side elevational view thereof; FIG. 4 is a front elevational view thereof; FIG. 5 is a rear elevational view thereof; FIG. 6 is a top plan view thereof; and, FIG. 7 is a bottom plan view thereof.

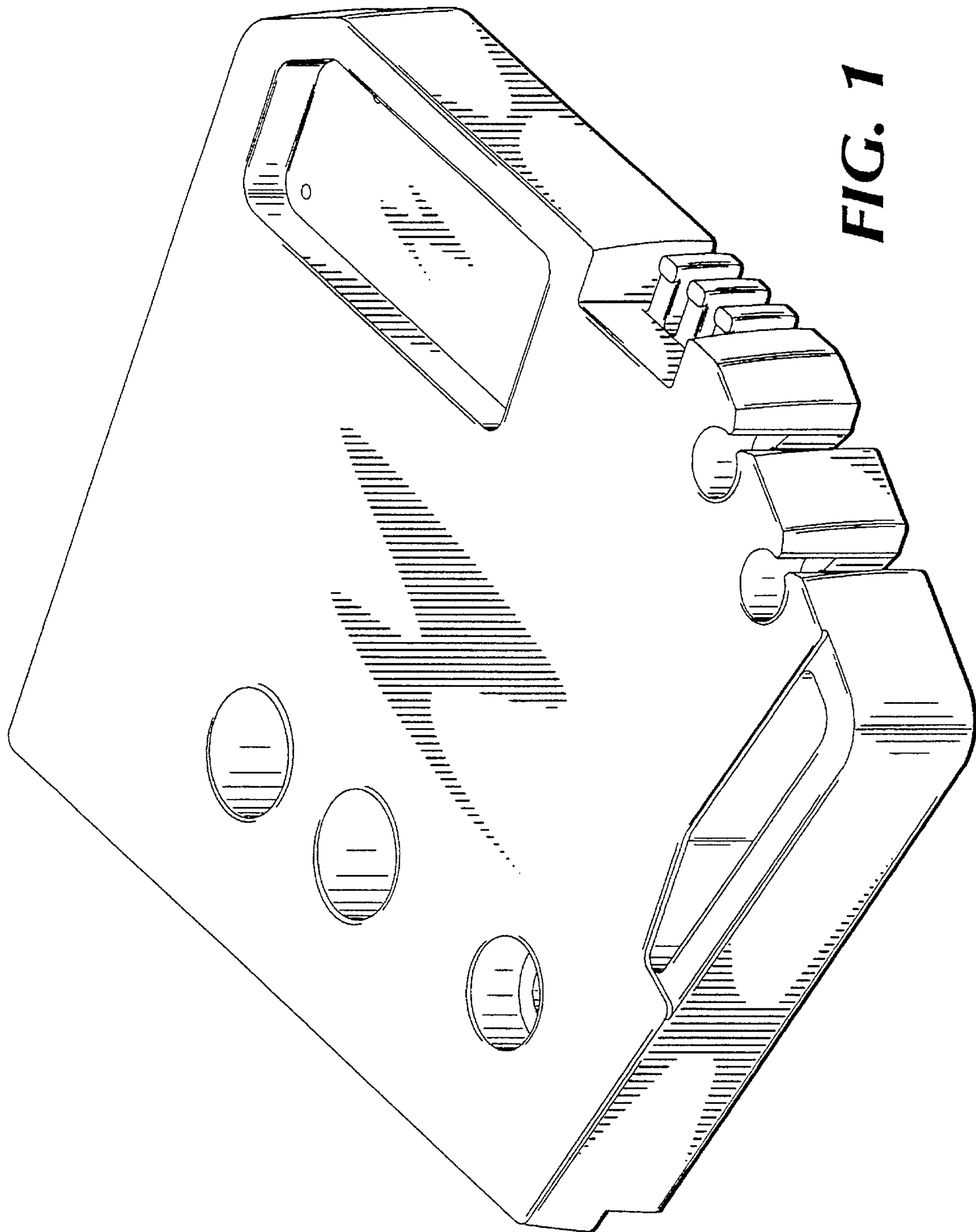
[56] **References Cited**

**U.S. PATENT DOCUMENTS**

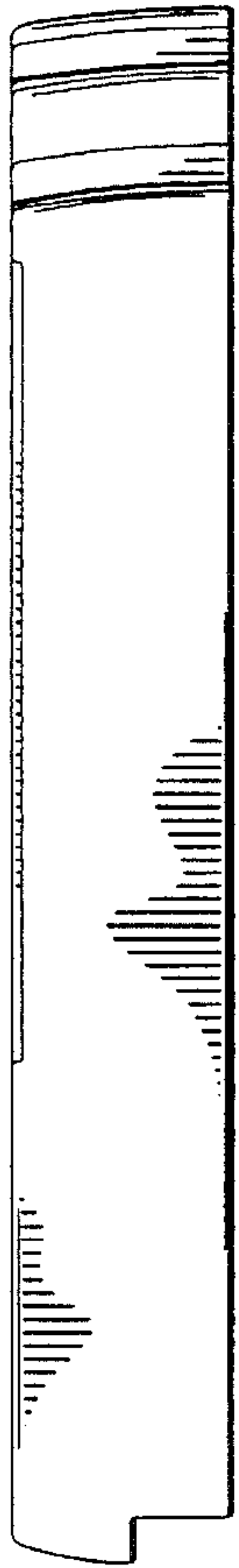
D. 169,759 6/1953 Karoff ..... 211/74 X  
3,381,825 5/1968 Bessett ..... 211/126

**1 Claim, 3 Drawing Sheets**

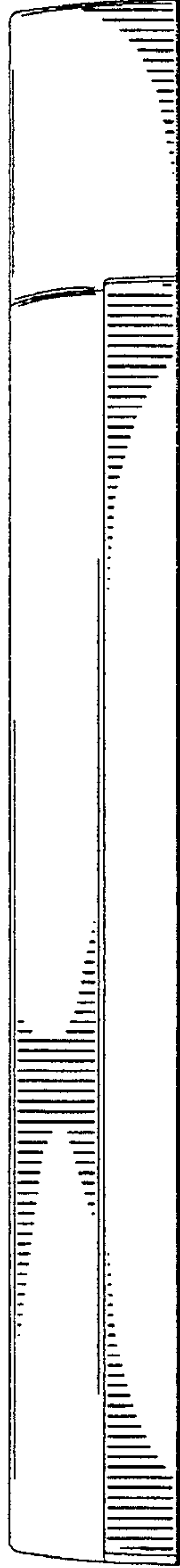




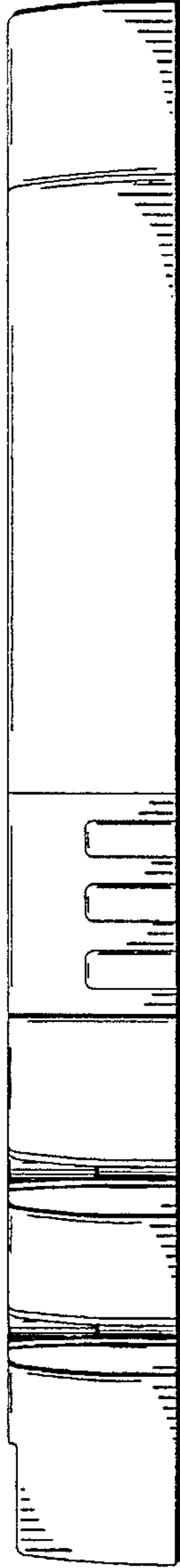
**FIG. 1**



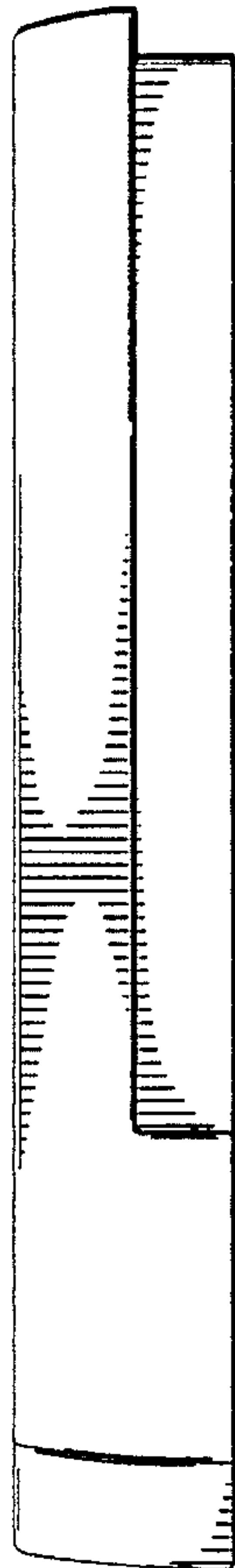
**FIG. 2**



**FIG. 3**



**FIG. 4**



**FIG. 5**

