



US00D377734S

United States Patent [19]

Bird et al.

[11] Patent Number: **Des. 377,734**

[45] Date of Patent: ****Feb. 4, 1997**

[54] **SIDE SHELF FOR A BARBEQUE GRILL**

[75] Inventors: **Richard Bird; Edward Golladay, Jr.; Donald Payne**, all of Louisville, Ky.; **Randy Smitley**, Corydon, Ind.; **Calvin Sprinkle**, Borden, Ind.; **Marine Walls**, Jeffersonville, Ind.

[73] Assignee: **Porcelain Metals Corporation**, Louisville, Ky.

[**] Term: **14 Years**

[21] Appl. No.: **27,087**

[22] Filed: **Aug. 12, 1994**

[52] U.S. Cl. **D7/402; D6/511**

[58] Field of Search **D7/332, 334, 336, D7/402, 406, 698, 550; D6/511, 482, 396, 406; 126/25 R, 25 A, 25 AA; 211/88, 90, 104; 108/65, 69, 152, 155, 159; 297/135, 148, 182**

[56] **References Cited**

U.S. PATENT DOCUMENTS

D. 172,797	8/1954	Long	D7/334
D. 229,660	12/1973	Gammon	D7/332
D. 322,909	1/1992	Parent et al.	D7/334
D. 325,316	4/1992	Parent et al.	D7/334
D. 325,318	4/1992	Parent et al.	D7/334
D. 327,805	7/1992	Parent et al.	D7/334
D. 341,507	11/1993	Harvey et al.	D6/482
D. 361,466	8/1995	Peterson et al.	D7/334

2,768,042	10/1956	Persinger et al.	126/25 R
2,787,995	4/1957	Alter	D7/332 X
2,886,386	5/1959	Spitzer	126/25 R X
4,331,123	5/1982	Alles et al.	D7/402 X
4,337,751	7/1982	Sampson et al.	126/25 R
4,677,964	7/1987	Lohmeyer et al.	126/41 R
4,762,114	8/1988	Blankemeyer	126/373
4,966,125	10/1990	Stephen et al.	126/25 R
5,016,607	5/1991	Doolittle et al.	126/25 R
5,165,385	11/1992	Doolittle et al.	126/25 R

Primary Examiner—Nelson C. Holtje
Assistant Examiner—Caron D. Veynar
Attorney, Agent, or Firm—Middleton & Reutlinger; David W. Carrithers

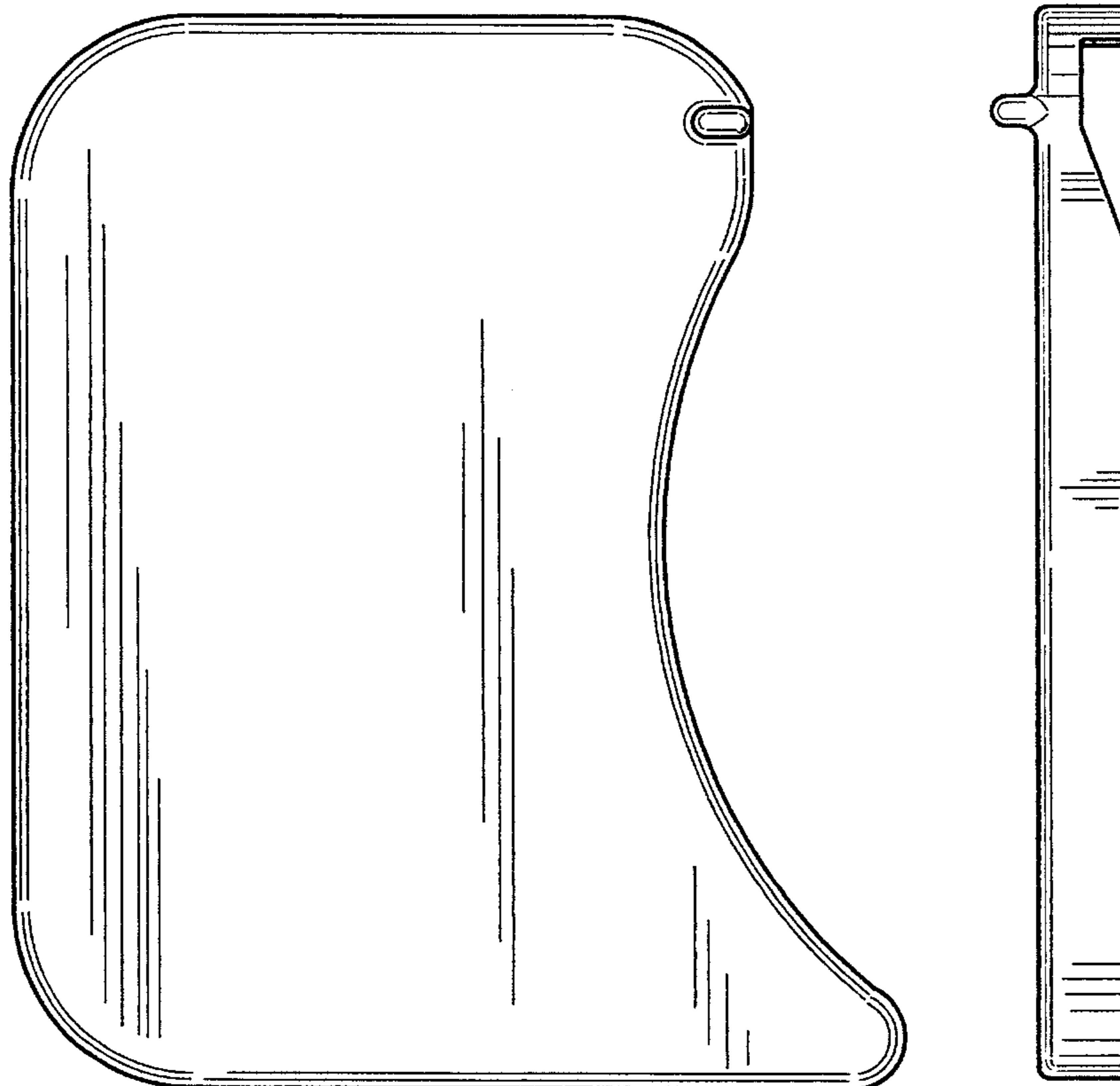
[57] **CLAIM**

The ornamental design for side shelf for a barbecue grill, as shown and described.

DESCRIPTION

FIG. 1 is a top plan view of a side shelf for a barbecue grill showing our new design;
FIG. 2 is a right side elevational view thereof;
FIG. 3 is a left side elevational view thereof;
FIG. 4 is a rear elevational view thereof;
FIG. 5 is a front elevational view thereof;
FIG. 6 is a bottom plan view thereof;
FIG. 7 is a bottom perspective view thereof; and,
FIG. 8 is a front perspective view, the broken line showing of a barbecue grill and ash sweep is for illustrative purposes only and form no part of the claimed design.

1 Claim, 3 Drawing Sheets



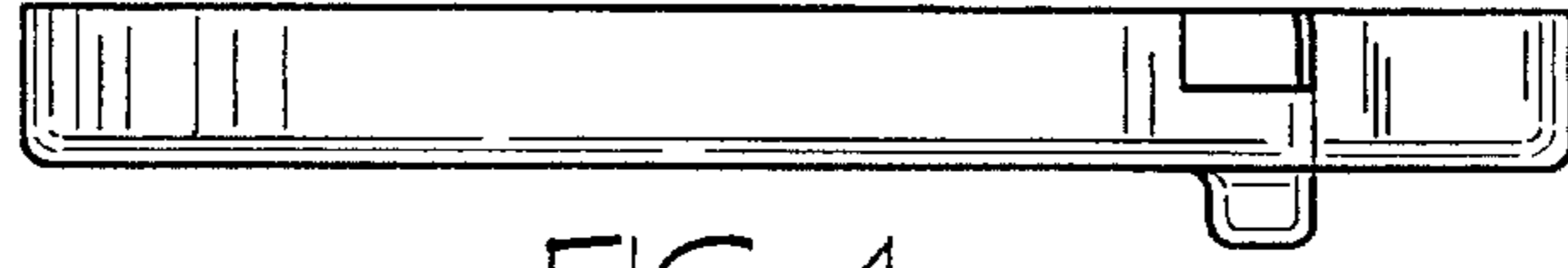


FIG. 4



FIG. 3

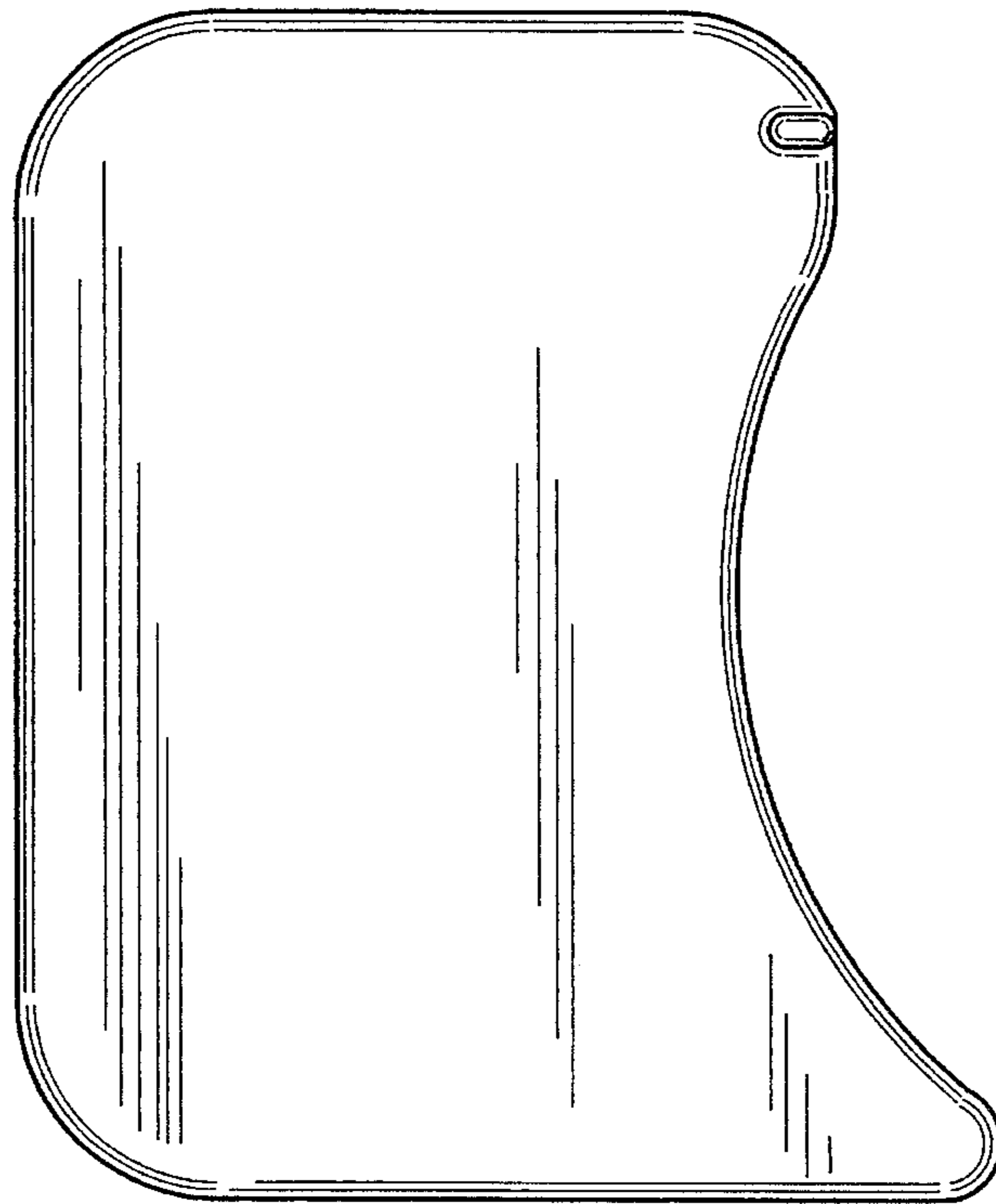


FIG. 1



FIG. 2

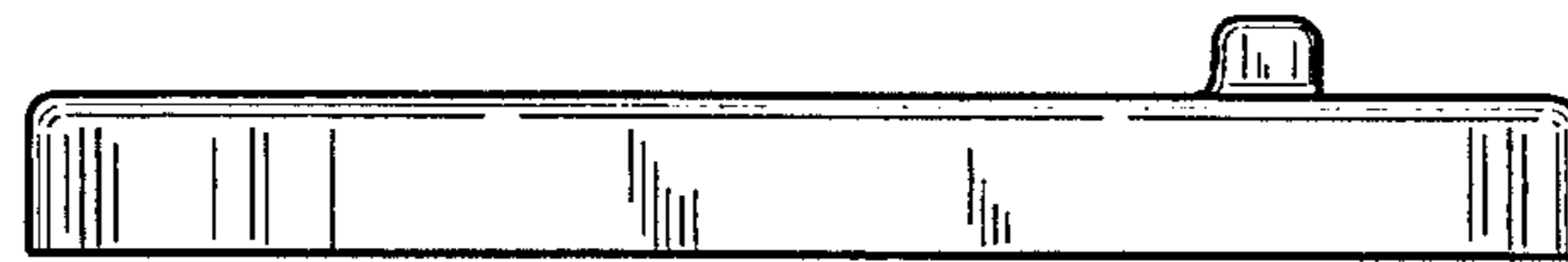


FIG. 5

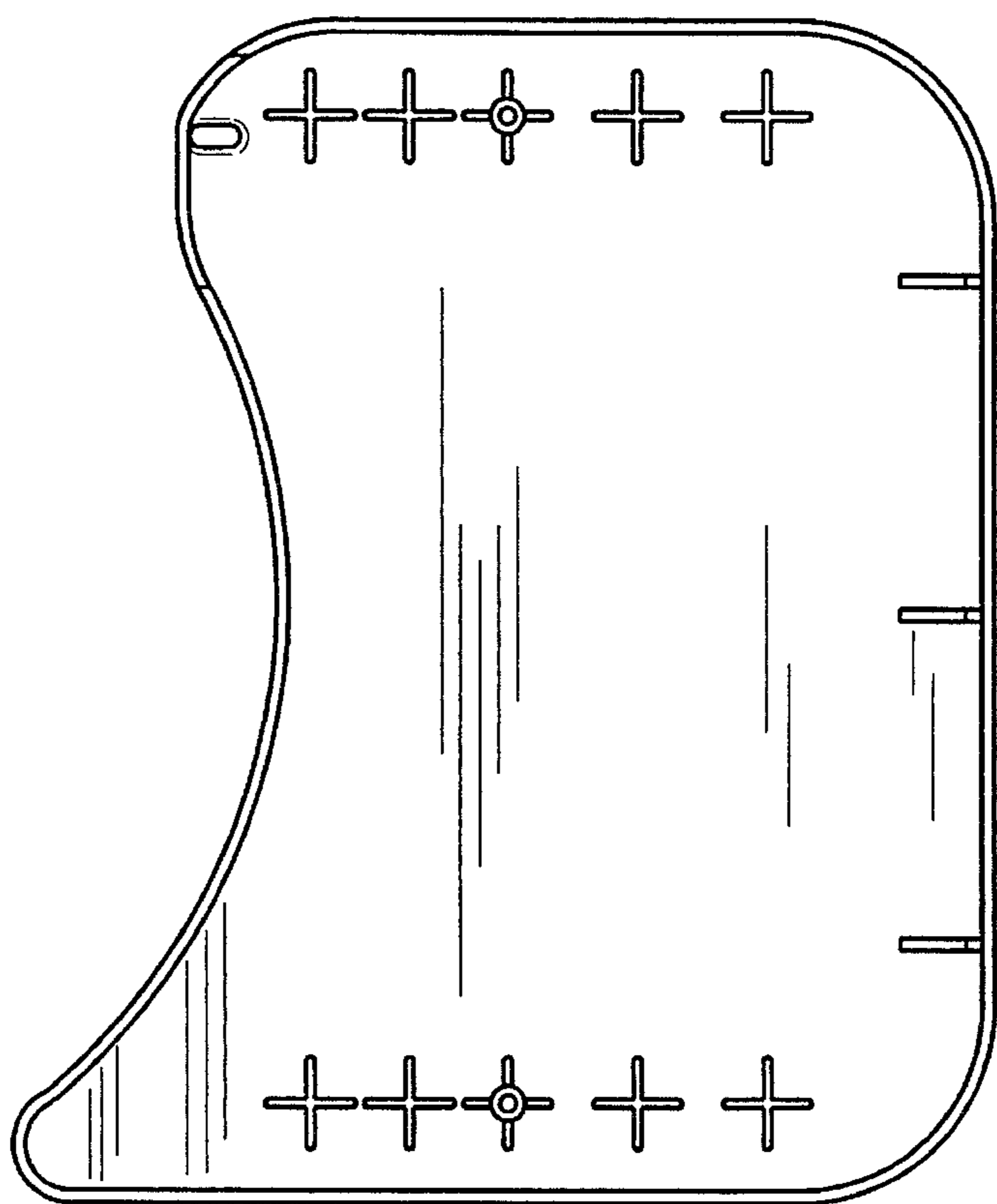


FIG. 6

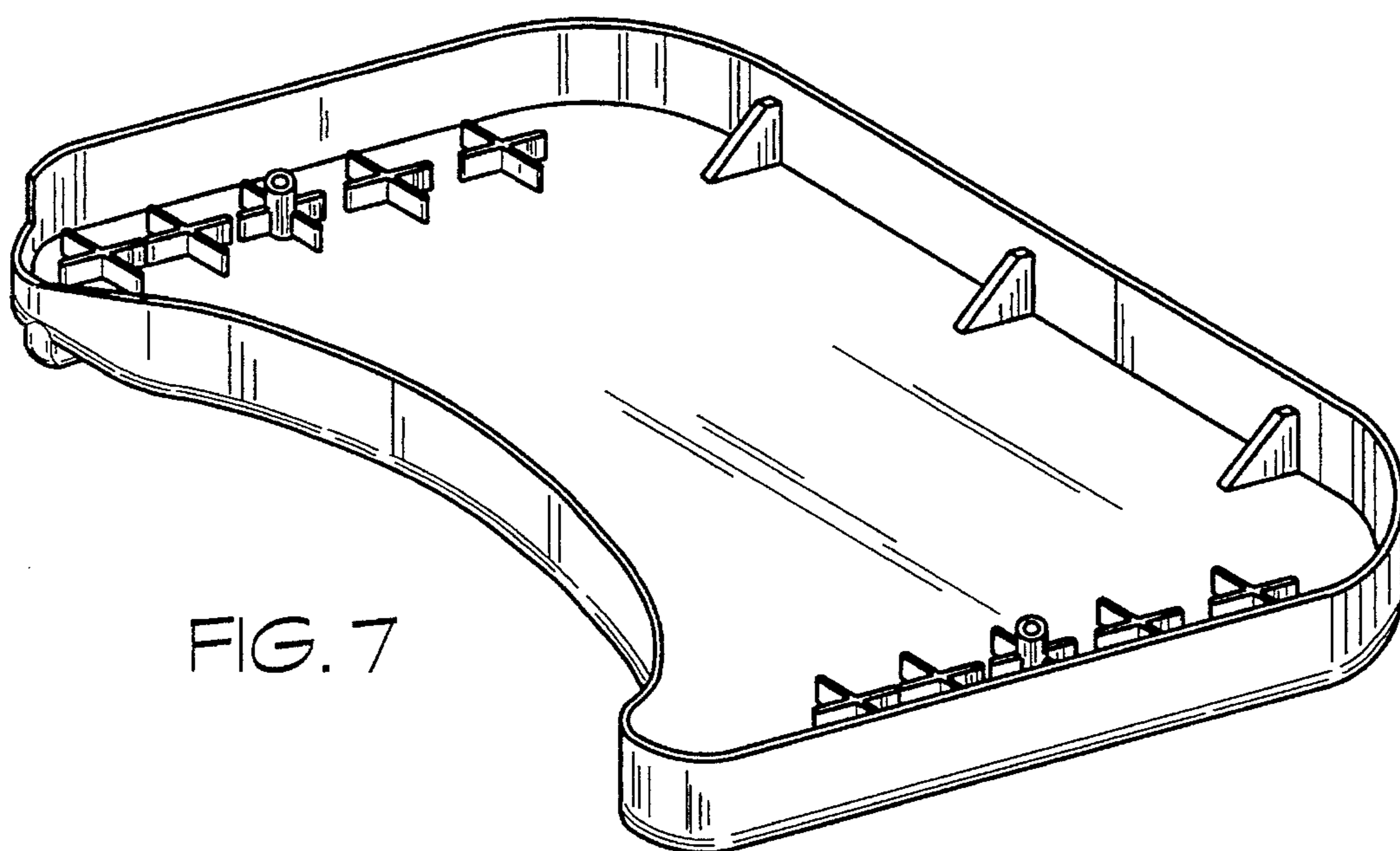


FIG. 7

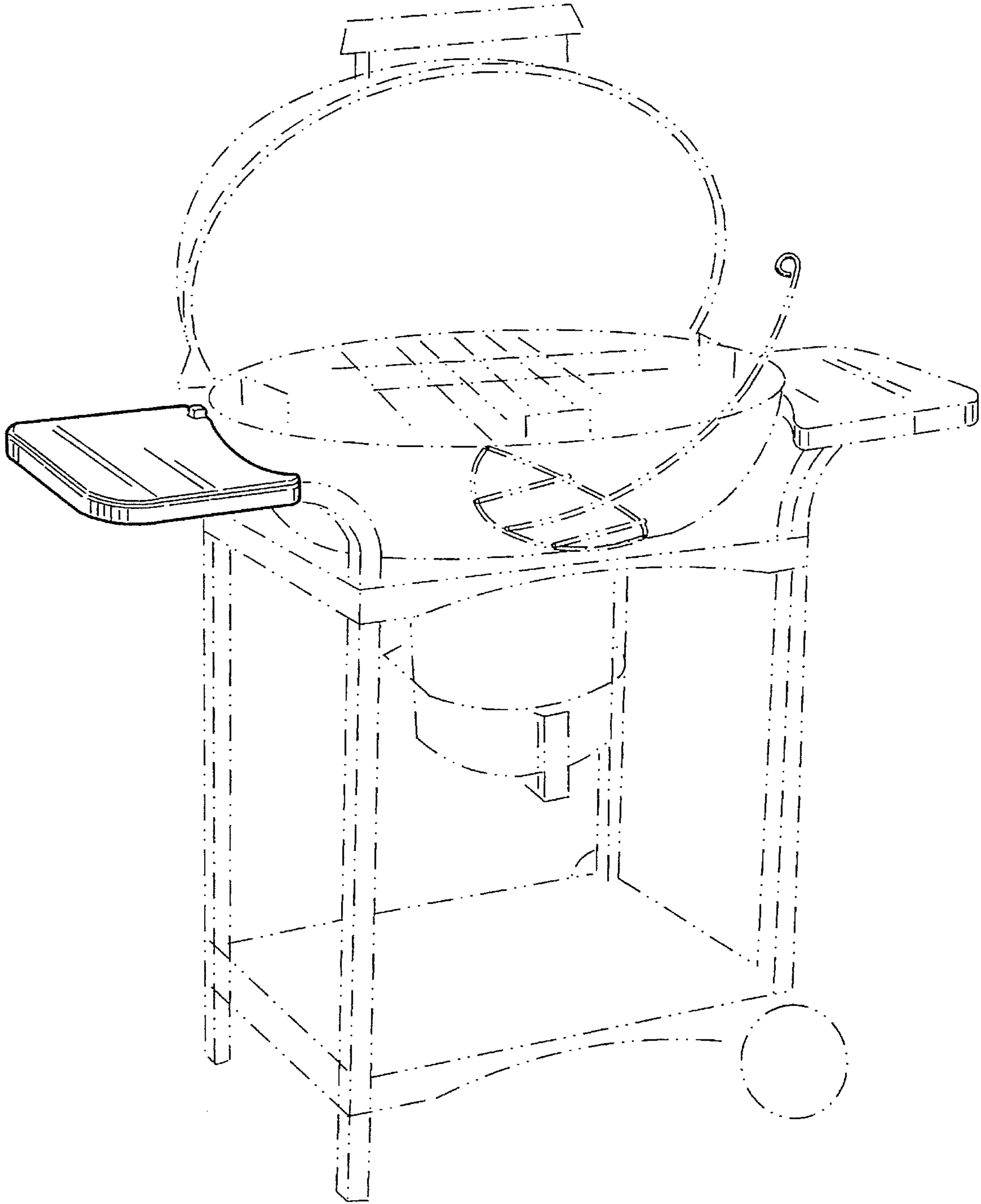


FIG. 8