



US00D377732S

United States Patent [19]

Ahern, Jr.

[11] Patent Number: **Des. 377,732**

[45] Date of Patent: ****Feb. 4, 1997**

[54] **CANISTER TOP**

[75] Inventor: **Richard B. Ahern, Jr.**, Akron, Ohio

[73] Assignee: **Rubbermaid Incorporated**, Wooster, Ohio

[**] Term: **14 Years**

[21] Appl. No.: **51,572**

[22] Filed: **Mar. 13, 1996**

[52] U.S. Cl. **D7/391**; D7/392.1

[58] Field of Search D7/391, 392.1, D7/612, 538, 540, 542; D9/435, 454, 452

[56] **References Cited**

U.S. PATENT DOCUMENTS

| | | | |
|------------|---------|---------------------|------------|
| D. 123,648 | 11/1940 | Holdren . | |
| D. 173,807 | 1/1955 | Livermore | D7/391 |
| D. 228,867 | 10/1973 | Mallon | D7/131 |
| D. 229,737 | 12/1974 | Taylor | D7/131 |
| D. 230,342 | 2/1974 | Mallon | D7/131 |
| D. 230,343 | 2/1974 | Mallon | D7/131 |
| D. 230,344 | 2/1974 | Taylor | D7/131 |
| D. 230,556 | 3/1974 | Mallon | D7/131 |
| D. 230,574 | 3/1974 | Commisso | D7/392.1 X |
| D. 238,148 | 12/1974 | Dilot | D9/219 |
| D. 253,935 | 1/1980 | Daenen | D9/254 |
| D. 268,394 | 3/1983 | MacEwen | D9/454 |
| D. 272,324 | 1/1984 | Mumford et al. | D9/452 |
| D. 274,030 | 5/1984 | Daenen et al. | D7/391 |
| D. 277,724 | 2/1985 | Daenen et al. | D7/392 |
| D. 288,667 | 3/1987 | Miner | D9/443 |
| D. 308,169 | 5/1990 | Anman | D9/446 |
| D. 309,554 | 7/1990 | Meisner | D7/602 |
| D. 315,103 | 3/1991 | Bennett | D9/447 |
| D. 320,559 | 10/1991 | Olson | D9/439 |
| D. 329,572 | 9/1992 | Krupa | D7/542 |
| D. 331,878 | 12/1992 | Forsyth | D9/449 |
| D. 332,379 | 1/1993 | Murphy | D7/391 |

(List continued on next page.)

OTHER PUBLICATIONS

Pp. 20, 25, 27 and 29, Food storage container lids; Tupperware, Orlando, Florida. Publication date 1995.

P. 35, Food storage container lids; Tupperware, Orlando, Florida, Publication date 1994.

Label, Food storage container lids; Anchor Hocking Plastics, St. Paul, Minnesota 55102, Publication date 1994.

Catalog page, Food storage container lids; Anchor Hocking Plastics, St. Paul, Minnesota 55102. Publication date 1993.

Advertisement, Food storage container lids; Home Economics, address unknown. Publication date Jun., 1988.

Catalog page, Food storage container lids; Fratelli Guzzini S.p.A., c.da Mattonata, 60-62019 Recanati, Italy. Published at least as early as Aug., 1995.

P. 4, Food storage container lids; Decora American Incorporated, 250 West Artesia Boulevard, Compton, California 90220. Publication date 1991.

P. 17, Food storage container lids; Injecta Plastics, B.P. 99-01103 Oyonnax Cedex, France. Published at least as early as 1995.

P. 20, Food storage container lids; Dupol-Rubbermaid GmbH, An der Trift 63, D-6072 Dreieich, West Germany. Publication date 1989.

P. 12, Food storage container lids; Rubbermaid Incorporated, 1147 Akron Road, Wooster, Ohio 44691. Publication date 1986.

Catalog page, Food storage container lids; Rubbermaid Incorporated, 1147 Akron Road, Wooster, Ohio 44691. Publication date 1991.

Primary Examiner—M. N. Pandozzi

Attorney, Agent, or Firm—Richard B. O'Planick; Lisa B. Riedesel

[57] **CLAIM**

The ornamental design for a canister top, as shown and described.

DESCRIPTION

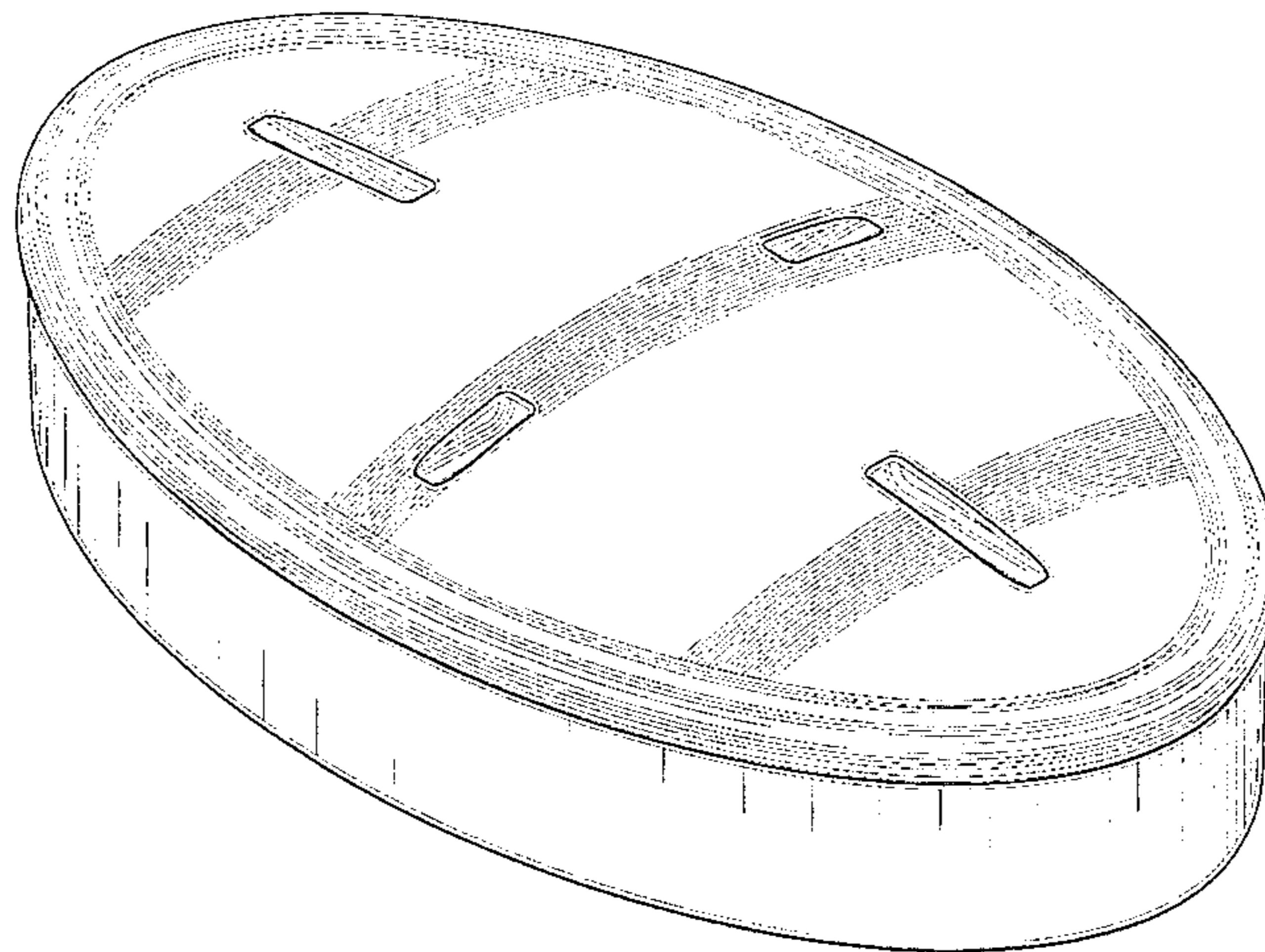
FIG. 1 is a top left front perspective view of a canister top showing my new design;

FIG. 2 is a top plan view thereof;

FIG. 3 is a front elevational view thereof; the rear elevational view being a mirror image; and,

FIG. 4 is a right side elevational view thereof; the left side elevational view being a mirror image.

1 Claim, 4 Drawing Sheets



U.S. PATENT DOCUMENTS

| | | | | | | | |
|------------|---------|----------------------------|----------|------------|---------|---------------------|------------|
| D. 333,065 | 2/1993 | Murphy | D7/391 | D. 363,638 | 1/1995 | Feer | D7/391 |
| D. 333,754 | 8/1973 | Conti | D7/392.1 | 1,973,449 | 9/1934 | Tighe, Jr. | D7/392.1 X |
| D. 334,341 | 3/1993 | Brown et al. | D9/447 | 3,128,903 | 4/1964 | Crisci | 220/60 |
| D. 339,065 | 9/1993 | Forsyth et al. | D9/447 | 3,297,208 | 1/1967 | Swett | 222/111 |
| D. 339,958 | 10/1993 | Olsen et al. | D7/392.1 | 3,369,691 | 2/1968 | Wei | 220/1 |
| D. 340,187 | 10/1993 | Forsyth | D7/449 | 3,760,972 | 9/1973 | McKirnan | 220/9 R |
| D. 340,188 | 10/1993 | Forsyth | D7/449 | 3,982,651 | 9/1976 | Braun et al. | 220/4 B |
| D. 346,720 | 5/1994 | Onneweer | D7/629 | 4,163,496 | 8/1979 | Dogliotti | 206/538 |
| D. 350,843 | 9/1994 | Van Valkenburg et al. | D7/614 | 4,341,324 | 7/1982 | Ramirez | 220/306 |
| D. 352,423 | 11/1994 | Laib | D7/538 | 4,369,901 | 1/1983 | Hidding | 222/480 |
| D. 355,814 | 2/1995 | Van Valkenburg et al. | D7/629 | 4,493,432 | 1/1985 | Smith | 220/270 |
| D. 357,161 | 4/1995 | Booten | D7/605 | 4,561,562 | 12/1985 | Trombly | 220/306 |
| D. 360,105 | 7/1995 | Doxey | D7/391 | 4,693,399 | 9/1987 | Hickman et al. | 222/480 |
| D. 361,265 | 8/1995 | Doxey | D7/435 | 4,765,506 | 8/1988 | Fishman et al. | 220/355 |
| D. 362,389 | 9/1995 | Frye | D9/452 X | 4,795,056 | 1/1989 | Meyers | 220/306 |
| D. 363,635 | 10/1995 | Castin et al. | D7/354 | 4,993,603 | 2/1991 | Polemus | 222/472 |
| | | | | 5,518,133 | 5/1996 | Hayes et al. | 270/356 X |

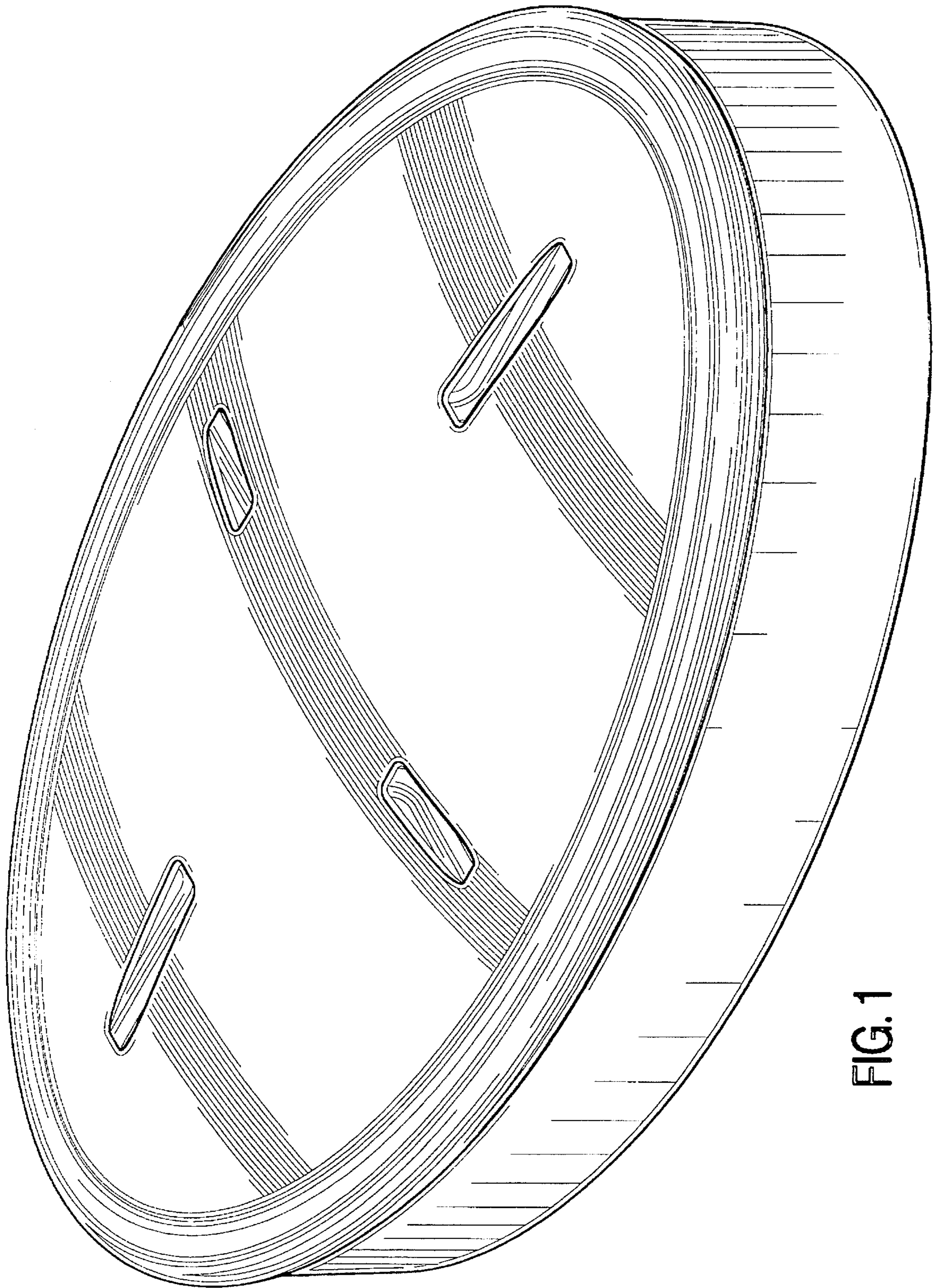


FIG. 1

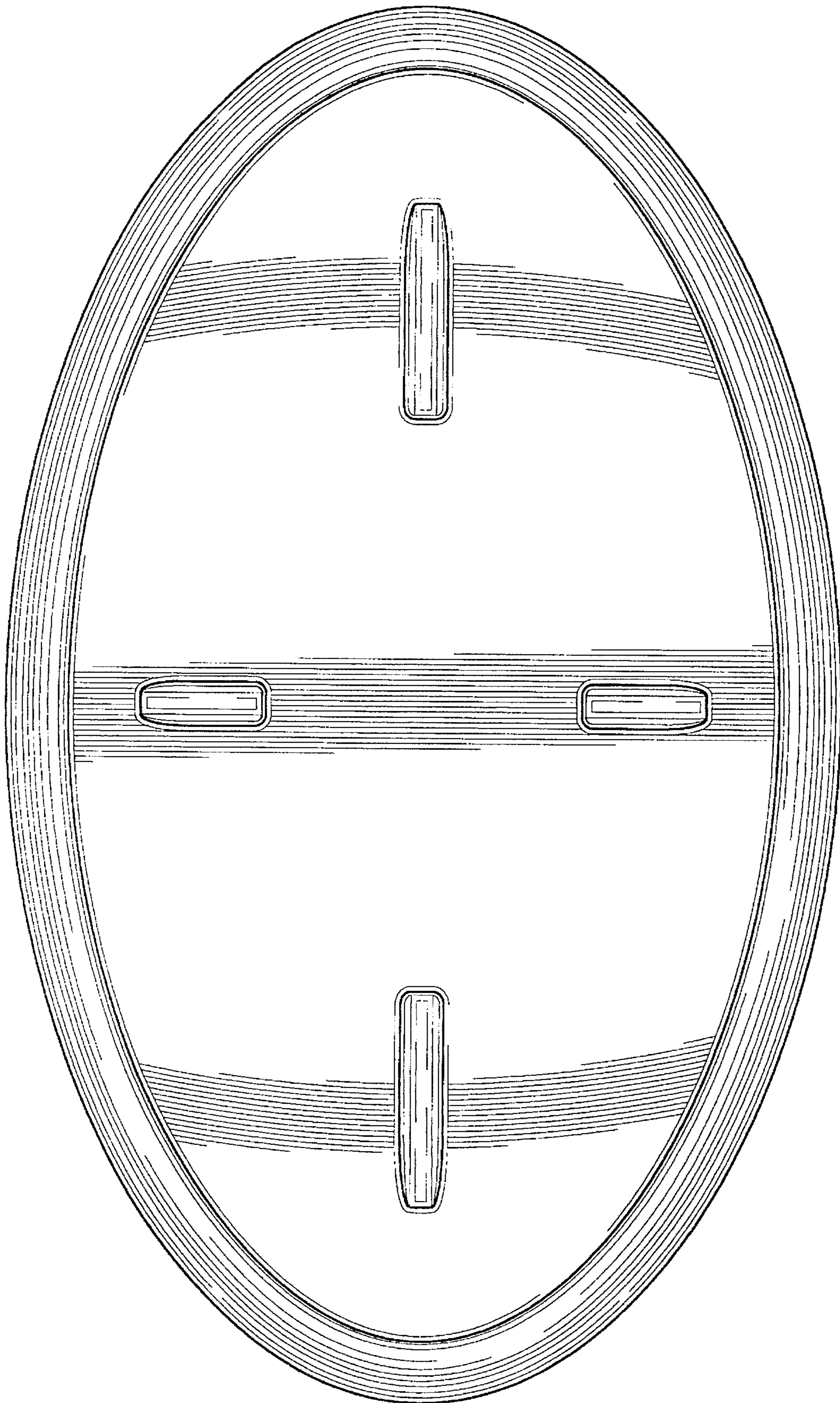


FIG. 2

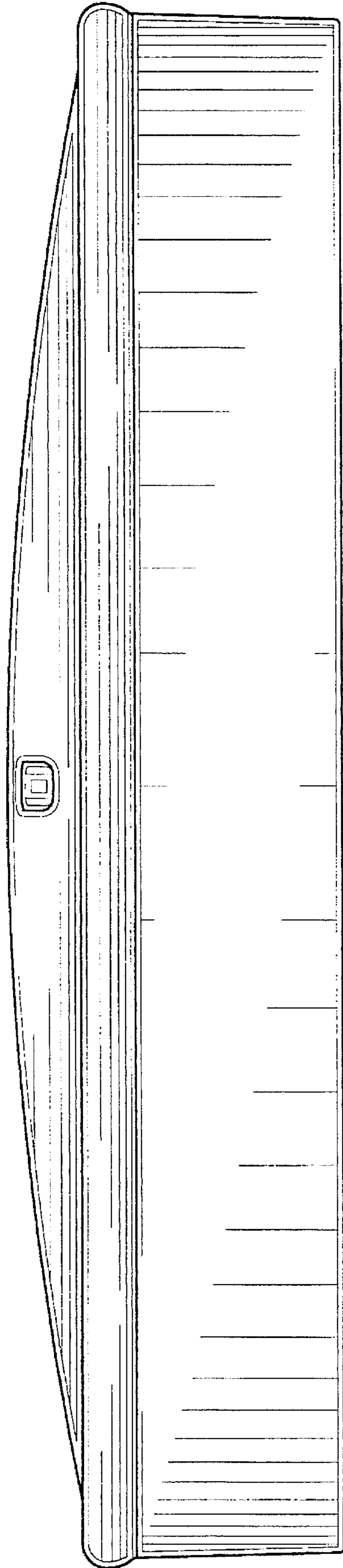


FIG. 3

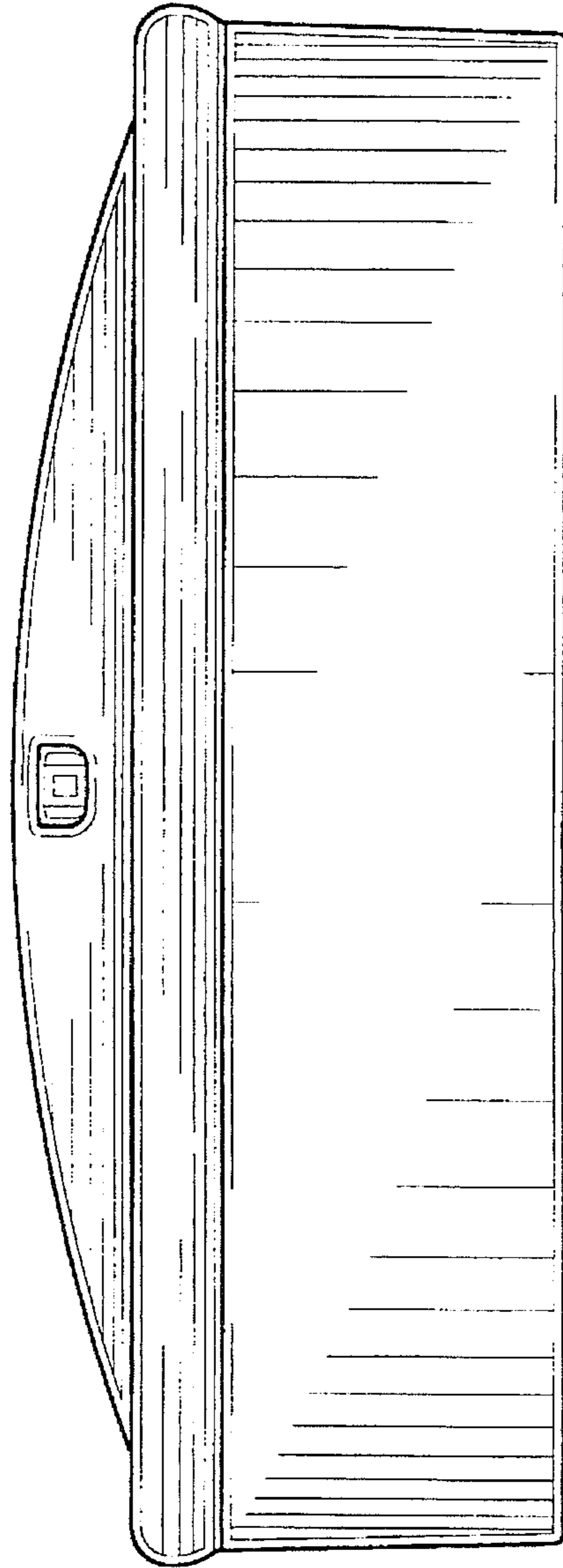


FIG. 4