



US00D377728S

United States Patent [19]

Klein et al.

[11] Patent Number: **Des. 377,728**

[45] Date of Patent: ****Feb. 4, 1997**

[54] **HANGING SHOE RACK**

3,913,745 10/1975 Weiss 211/119

[75] Inventors: **Richard B. Klein**, Overland Park;
Chris Serslev, Leawood, both of Kans.

Primary Examiner—Brian N. Vinson
Attorney, Agent, or Firm—Kokjer, Kircher, Bowman & Johnson

[73] Assignee: **Lynk, Inc.**, Shawnee Mission, Kans.

[57] **CLAIM**

[**] Term: **14 Years**

The ornamental design for a hanging shoe rack, as shown and described.

[21] Appl. No.: **47,147**

DESCRIPTION

[22] Filed: **Nov. 28, 1995**

[52] U.S. Cl. **D6/570**

[58] Field of Search D6/513, 514, 566,
D6/567, 569-570, 315, 317, 320; 211/34,
35, 13, 87, 119; 248/214

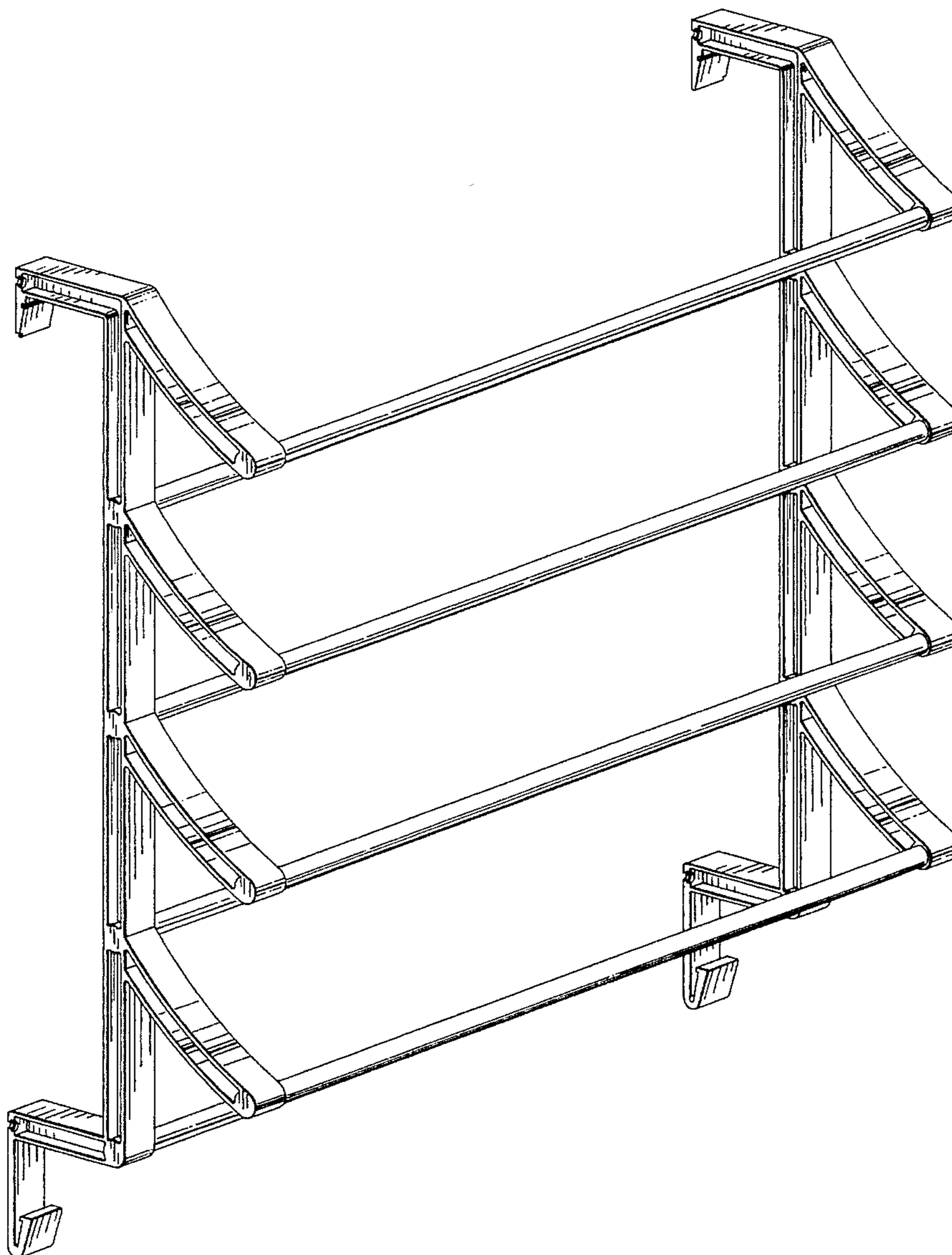
FIG. 1 is a left frontal perspective view of a hanging shoe rack in accordance to the present invention;
FIG. 2 is a top plan view thereof;
FIG. 3 is a front elevational view thereof;
FIG. 4 is a left side elevational view thereof, with the opposite end being a mirror image thereof;
FIG. 5 is a rear elevational view thereof; and,
FIG. 6 is a bottom plan view thereof.

[56] **References Cited**

U.S. PATENT DOCUMENTS

- D. 287,550 1/1987 Tocci D6/320
- D. 354,412 1/1995 Emery D6/514 X

1 Claim, 3 Drawing Sheets



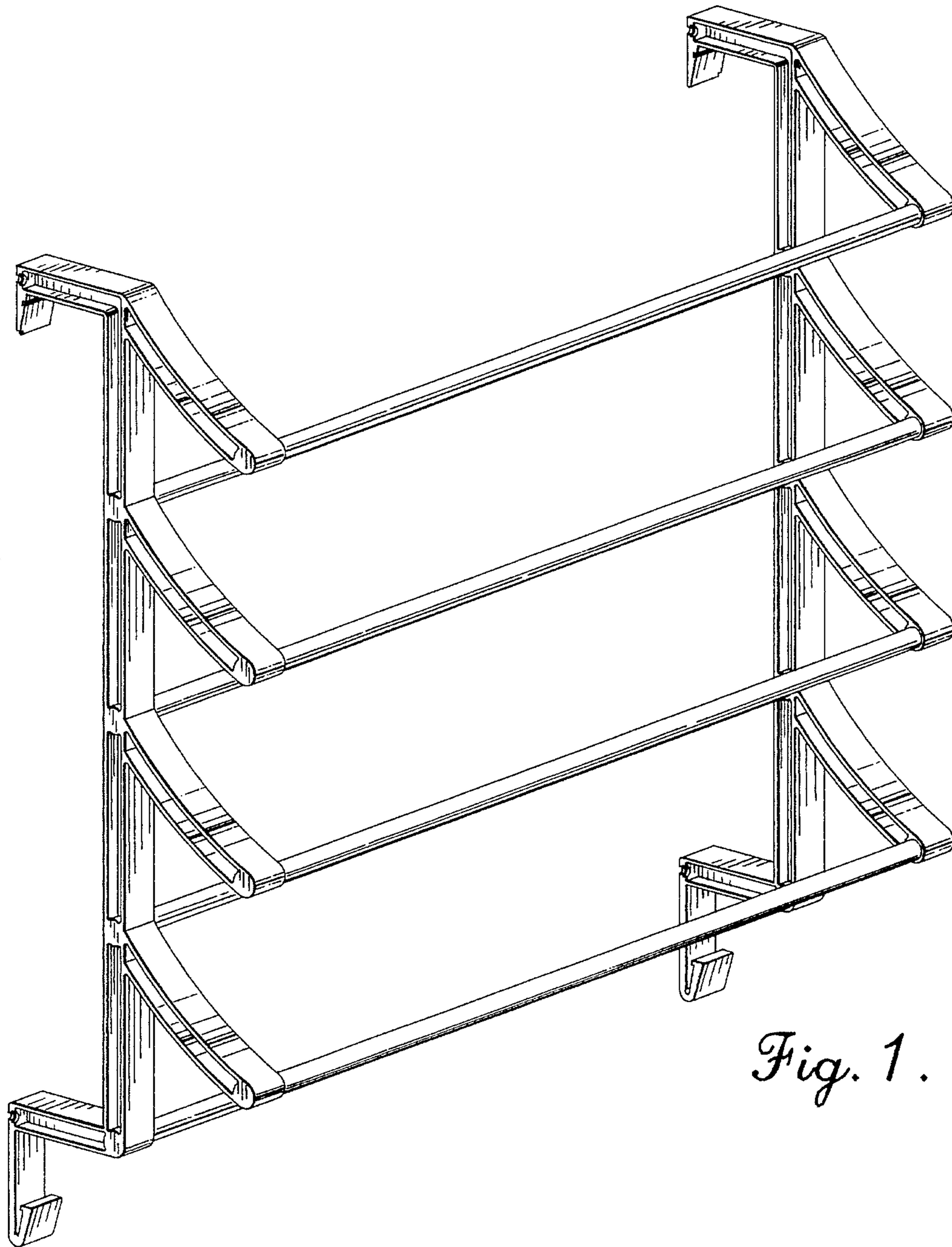


Fig. 1.

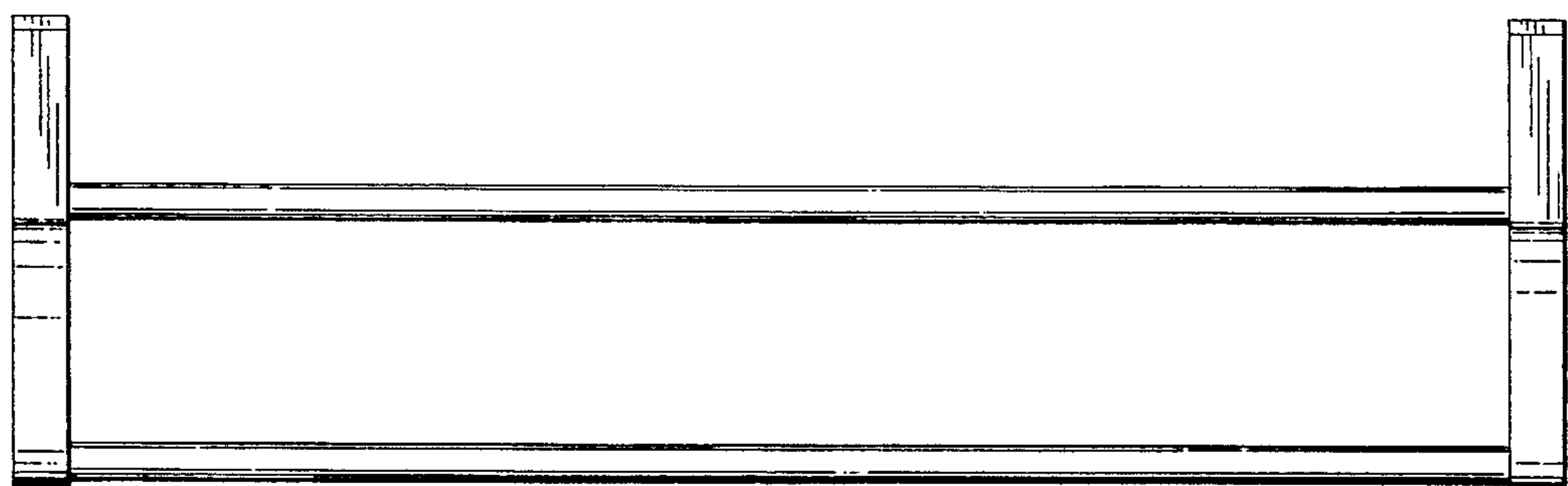


Fig. 2.

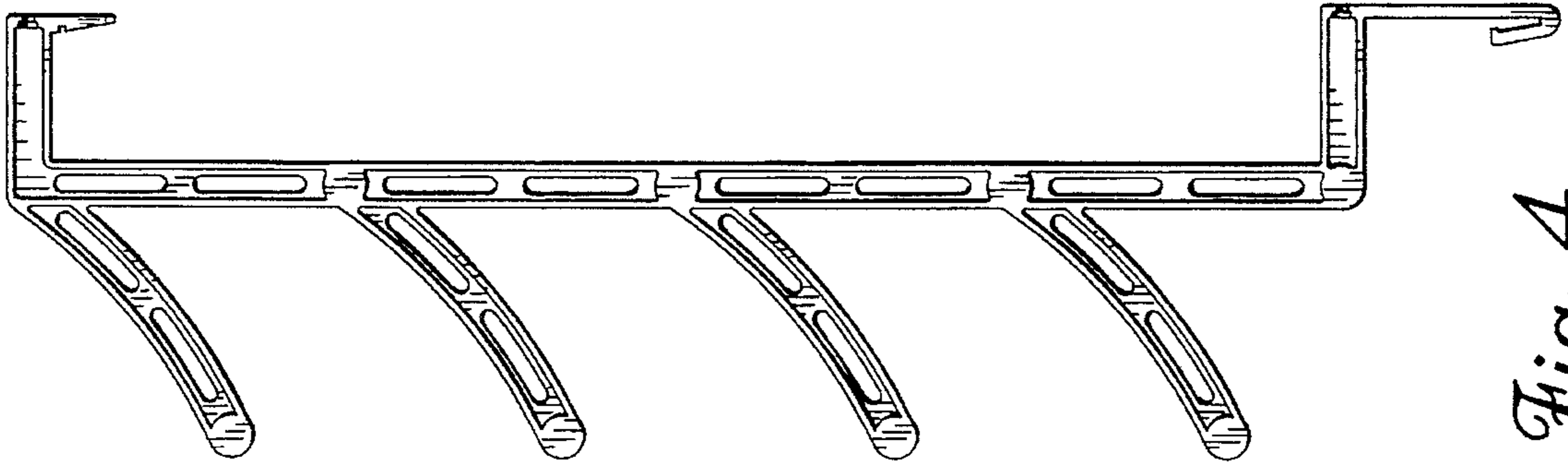


Fig. 4.

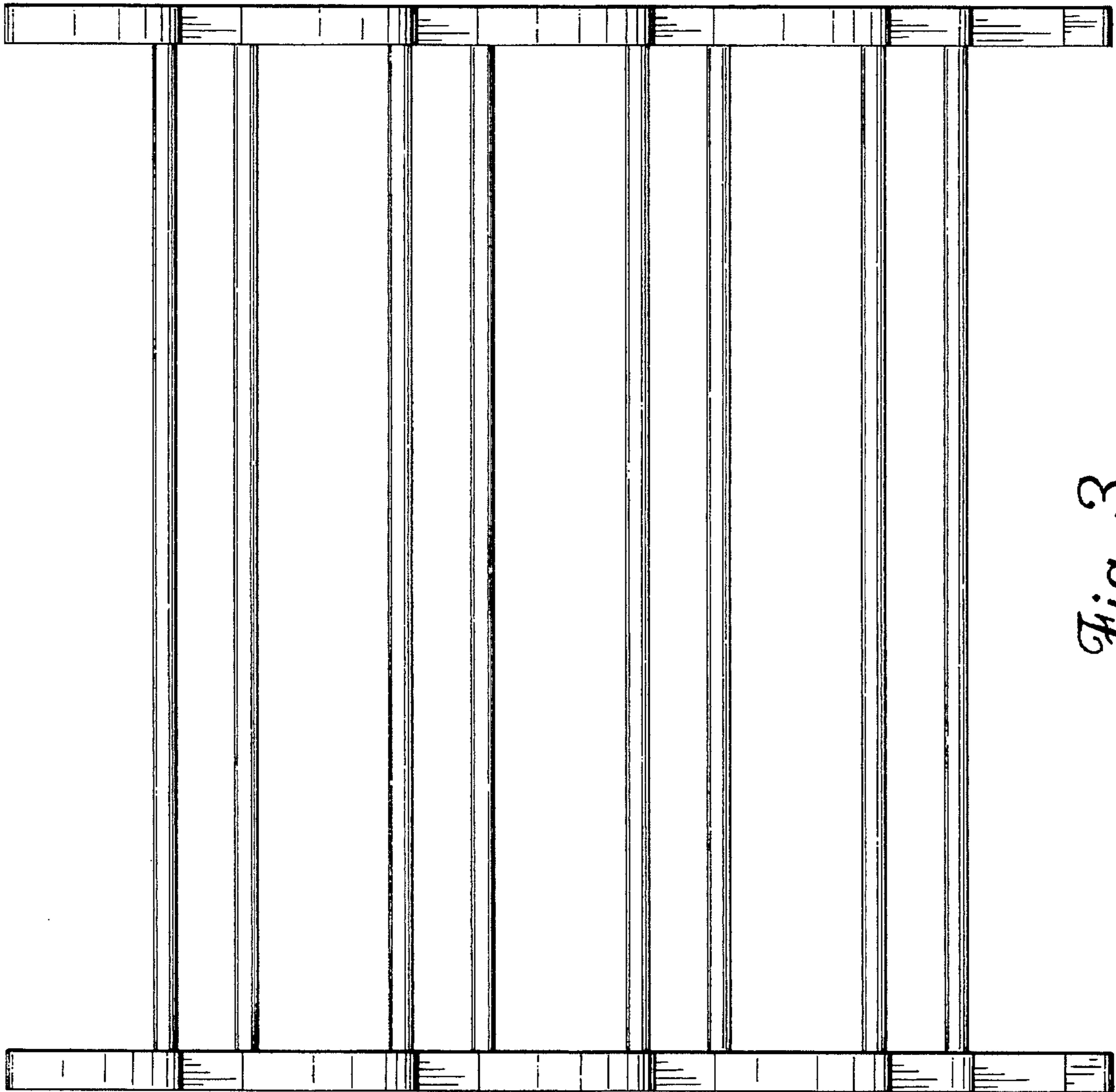


Fig. 3.

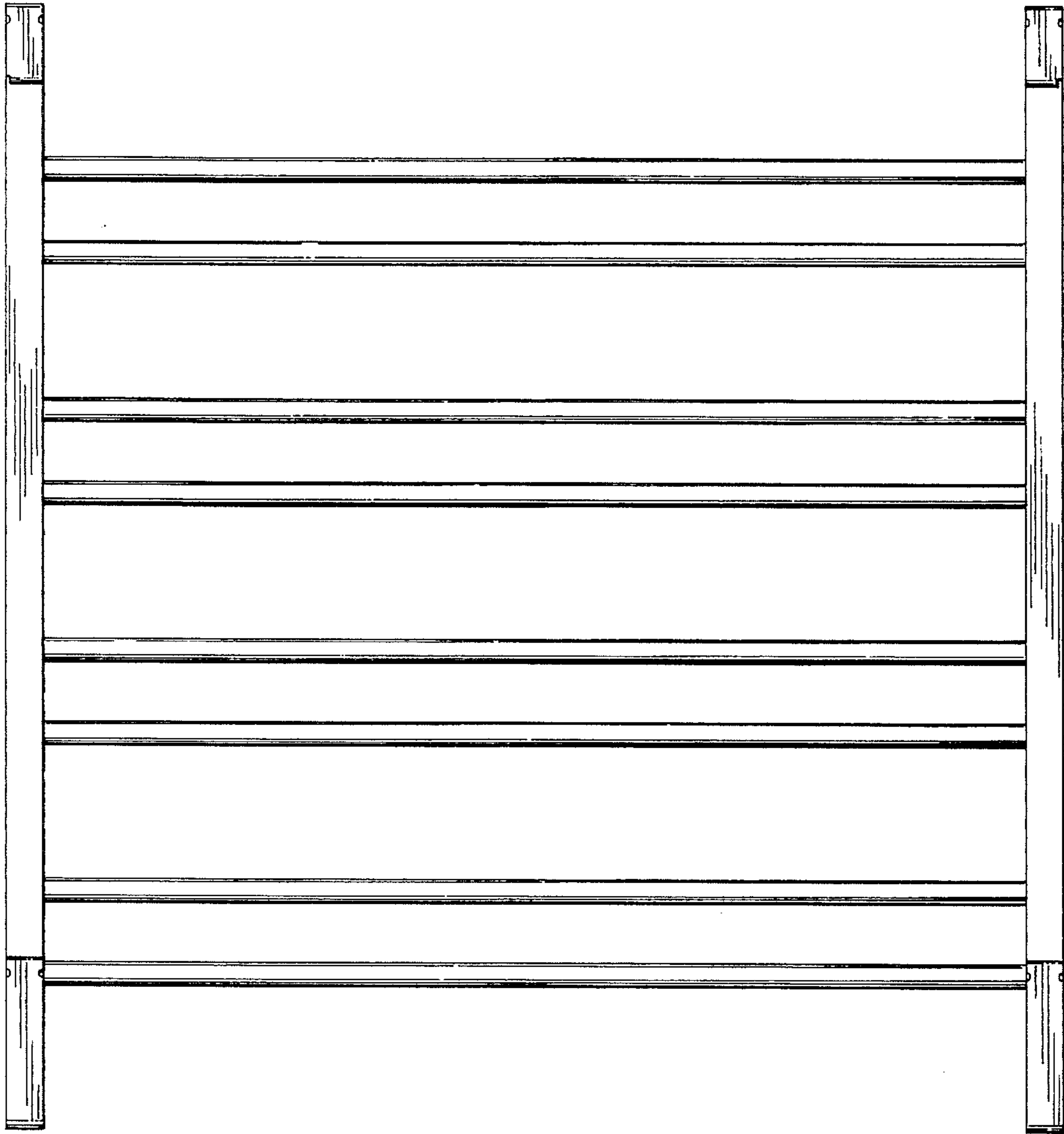


Fig. 5.

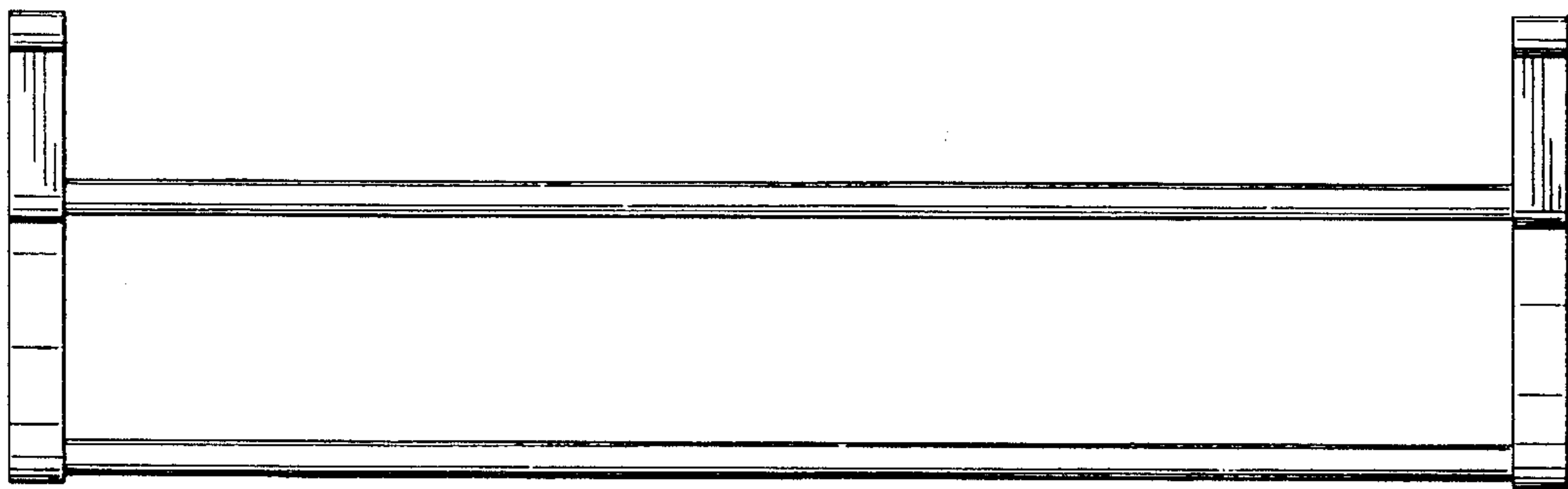


Fig. 6.