



US00D377726S

United States Patent [19]
Steinfeld

[11] **Patent Number:** **Des. 377,726**

[45] **Date of Patent:** ****Feb. 4, 1997**

[54] **CHAIR/STOOL BACK**

[75] **Inventor:** **Manfred Steinfeld, Cook County, Ill.**

[73] **Assignee:** **Shelby Williams Industries, Inc.,
Morristown, Tenn.**

[**] **Term:** **14 Years**

[21] **Appl. No.:** **48,555**

[22] **Filed:** **Jan. 3, 1996**

[52] **U.S. Cl. D6/502**

[58] **Field of Search D6/334, 349, 369,
D6/376, 379, 380, 500, 501, 502; 297/452.18**

[56] **References Cited**

U.S. PATENT DOCUMENTS

D. 182,844	5/1958	Monroe et al.	D6/502
D. 316,491	4/1991	Frinier	D6/379
D. 340,364	10/1993	Caldwell	D6/379 X
D. 359,174	6/1995	Arthur, Jr.	D6/376

OTHER PUBLICATIONS

- Ficks Reed, p. 20, Chair at bottom left.
- Ficks Reed, p. 21, Stool/Ottoman at bottom right.
- Ficks Reed, p. 25, Stool/Bench at mid-page.
- Schöner Wohnen, Sep. 1988, p. 92, Chair at bottom right.

Primary Examiner—Gary D. Watson
Attorney, Agent, or Firm—Pitts & Brittan, P.C.

[57] **CLAIM**

The ornamental design for a chair/stool back, as shown and described.

DESCRIPTION

FIG. 1 is a perspective view of a chair/stool back showing my new design;

FIG. 2 is a top plan view thereof;

FIG. 3 is a front elevation view thereof;

FIG. 4 is a rear view thereof;

FIG. 5 is a bottom view thereof;

FIG. 6 is a left side elevation view thereof, the right side elevation view being a mirror image thereof;

FIG. 7 is a perspective view of a first alternate embodiment of a chair/stool back showing my new design;

FIG. 8 is a top plan view of the first alternate embodiment of a chair/stool back showing my new design;

FIG. 9 is a front elevation view of the first alternate embodiment of a chair/stool back showing my new design;

FIG. 10 is a rear view of the first alternate embodiment of a chair/stool back showing my new design;

FIG. 11 is a bottom view of the first alternate embodiment of a chair/stool back showing my new design;

FIG. 12 is a left side elevation view of the first alternate embodiment of a chair/stool back showing my new design, the right side elevation view being a mirror image thereof;

FIG. 13 is a perspective view of a second alternate embodiment of a chair/stool back showing my new design;

FIG. 14 is a top plan view of the second alternate embodiment of a chair/stool back showing my new design;

FIG. 15 is a front elevation view of the second alternate embodiment of a chair/stool back showing my new design;

FIG. 16 is a rear view of the second alternate embodiment of a chair/stool back showing my new design;

FIG. 17 is a bottom view of the second alternate embodiment of a chair/stool back showing my new design; and,

FIG. 18 is a left side elevation view of the second alternate embodiment of a chair/stool back showing my new design, the right side elevation view being a mirror image thereof.

The phantom lines in the Figures form no part of the claimed design.

1 Claim, 10 Drawing Sheets

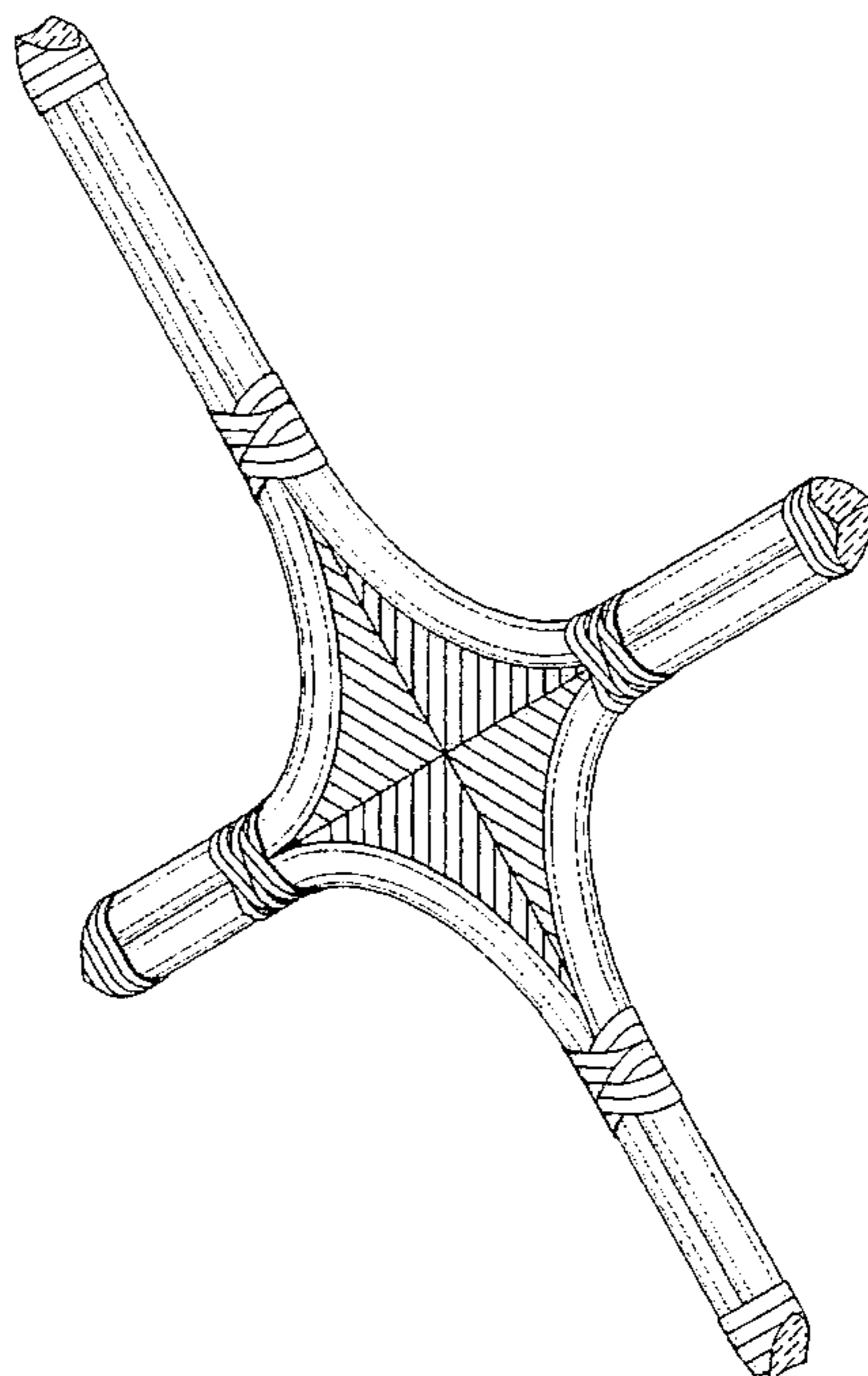
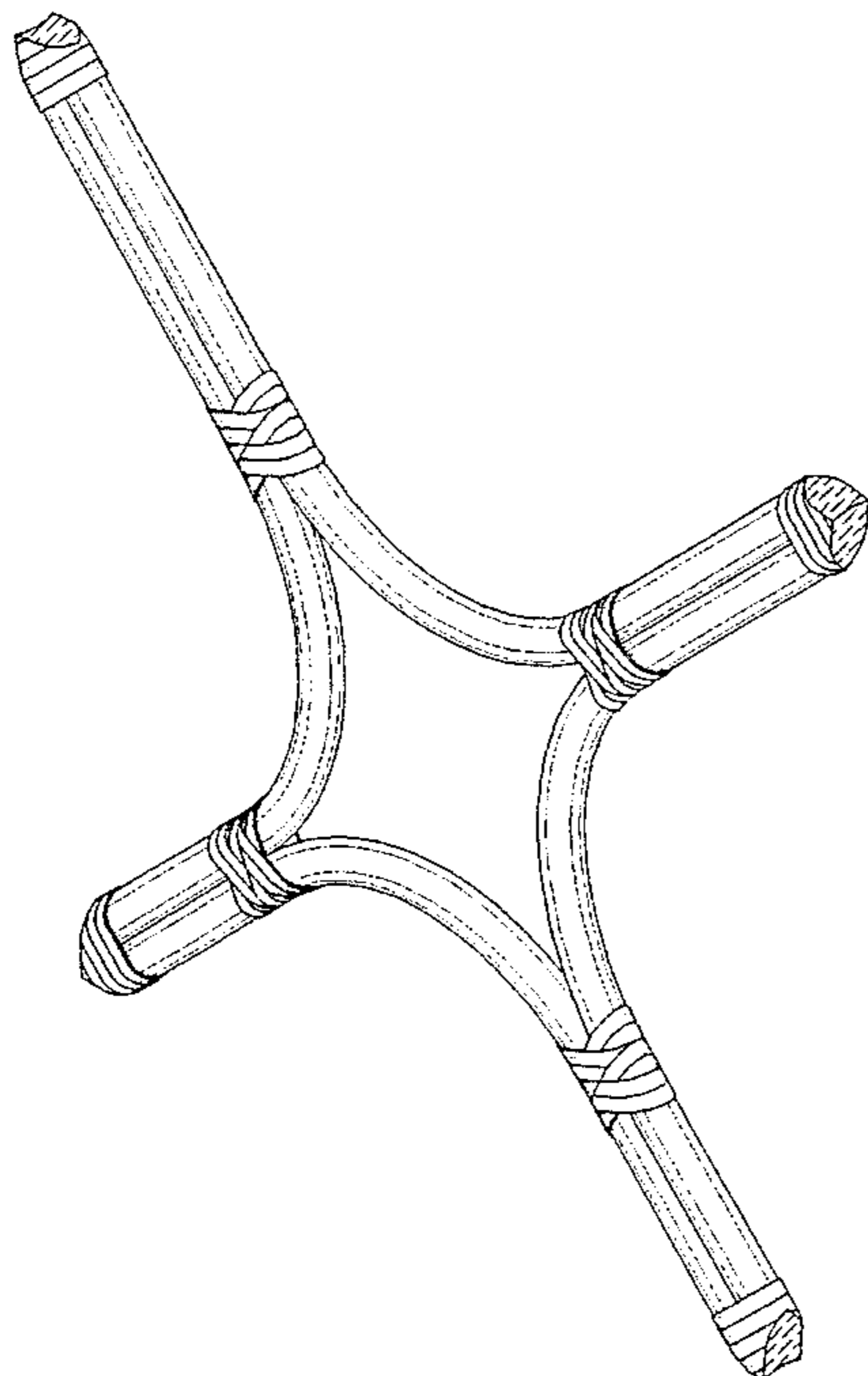
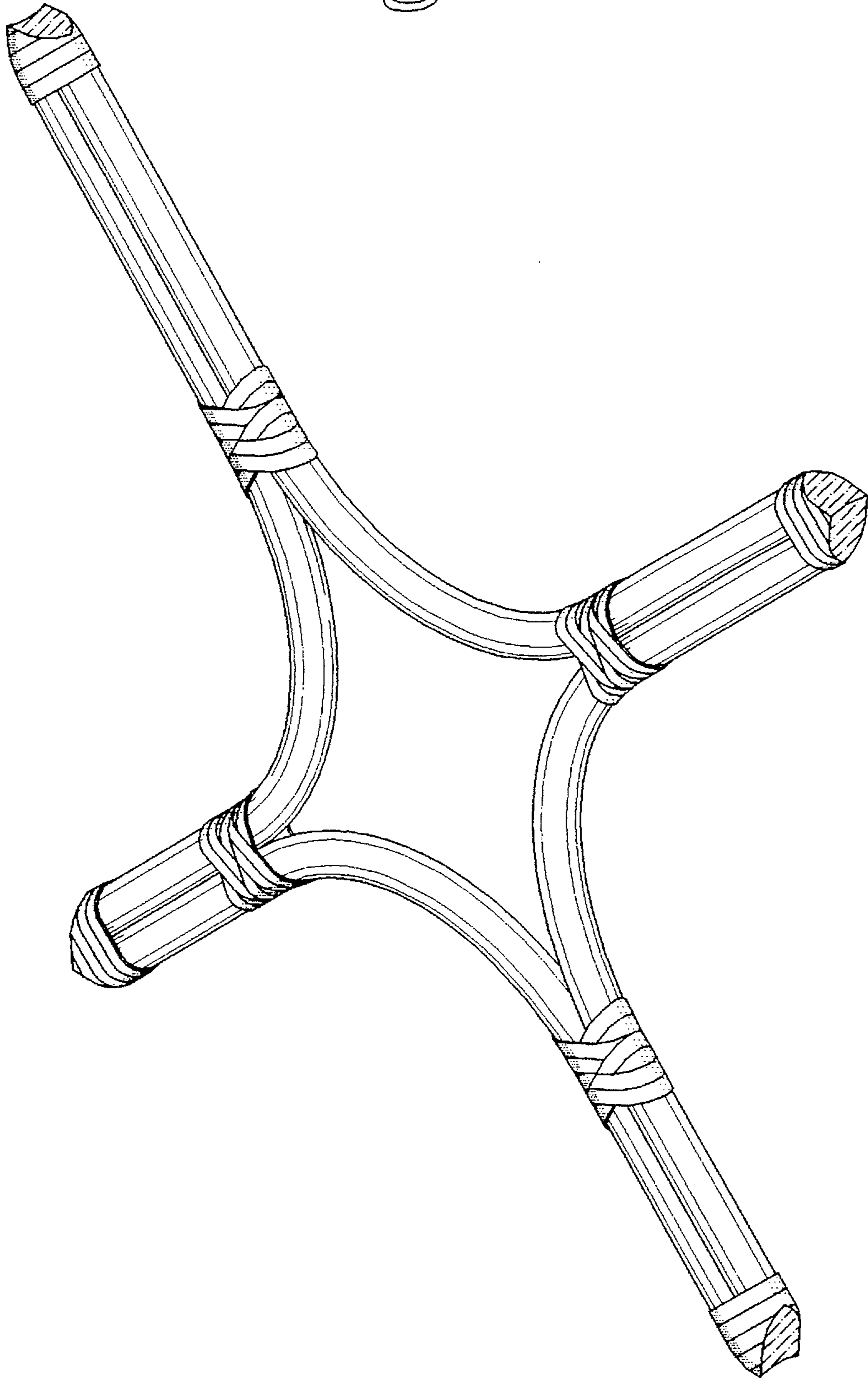


Fig. 1



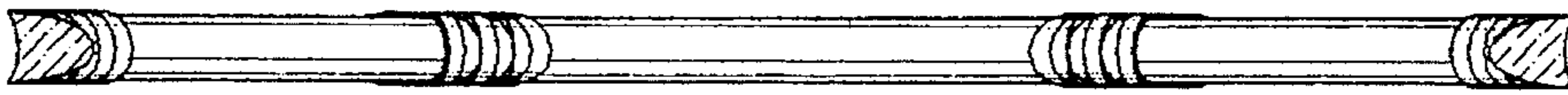


Fig. 2

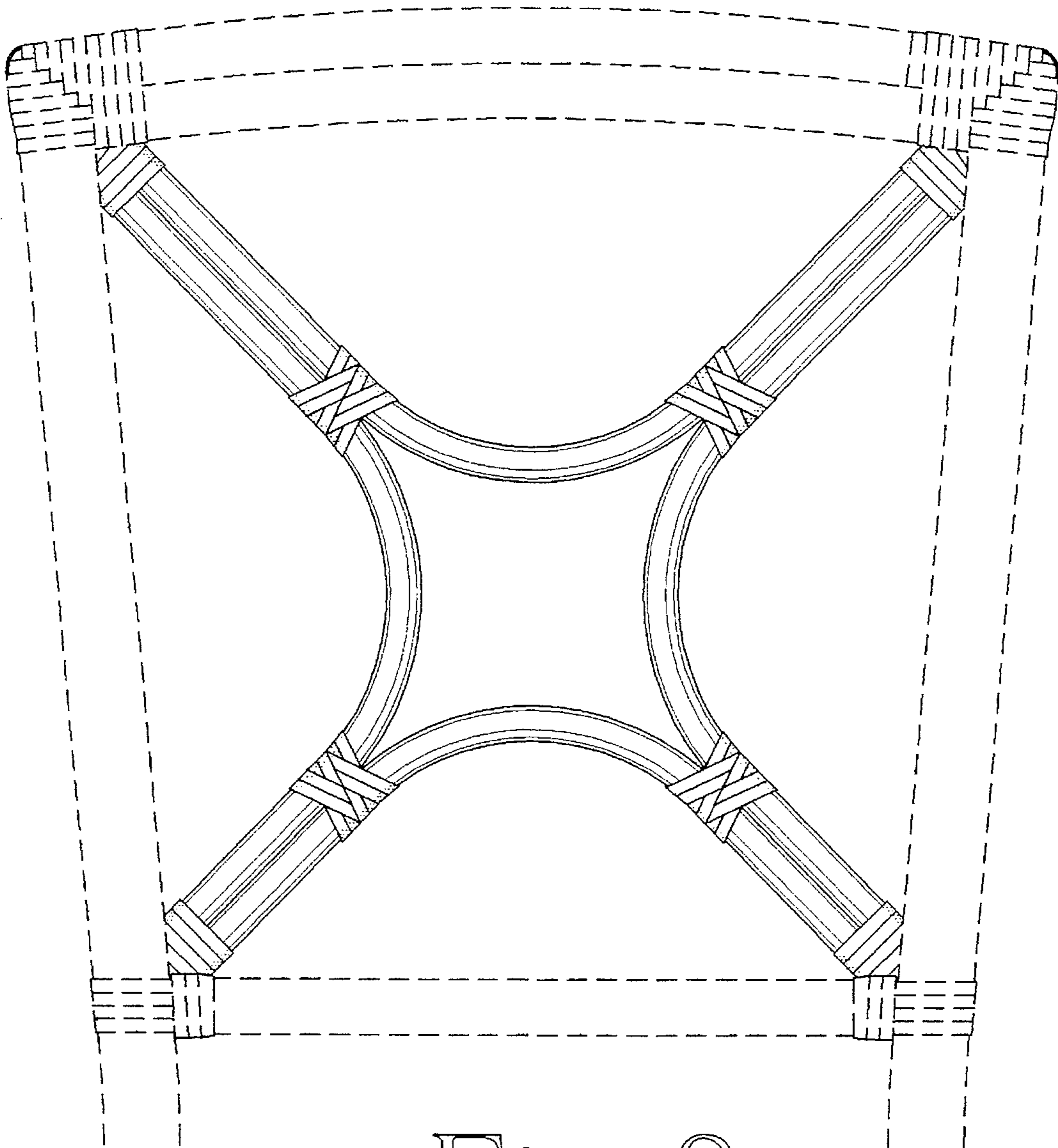


Fig. 3

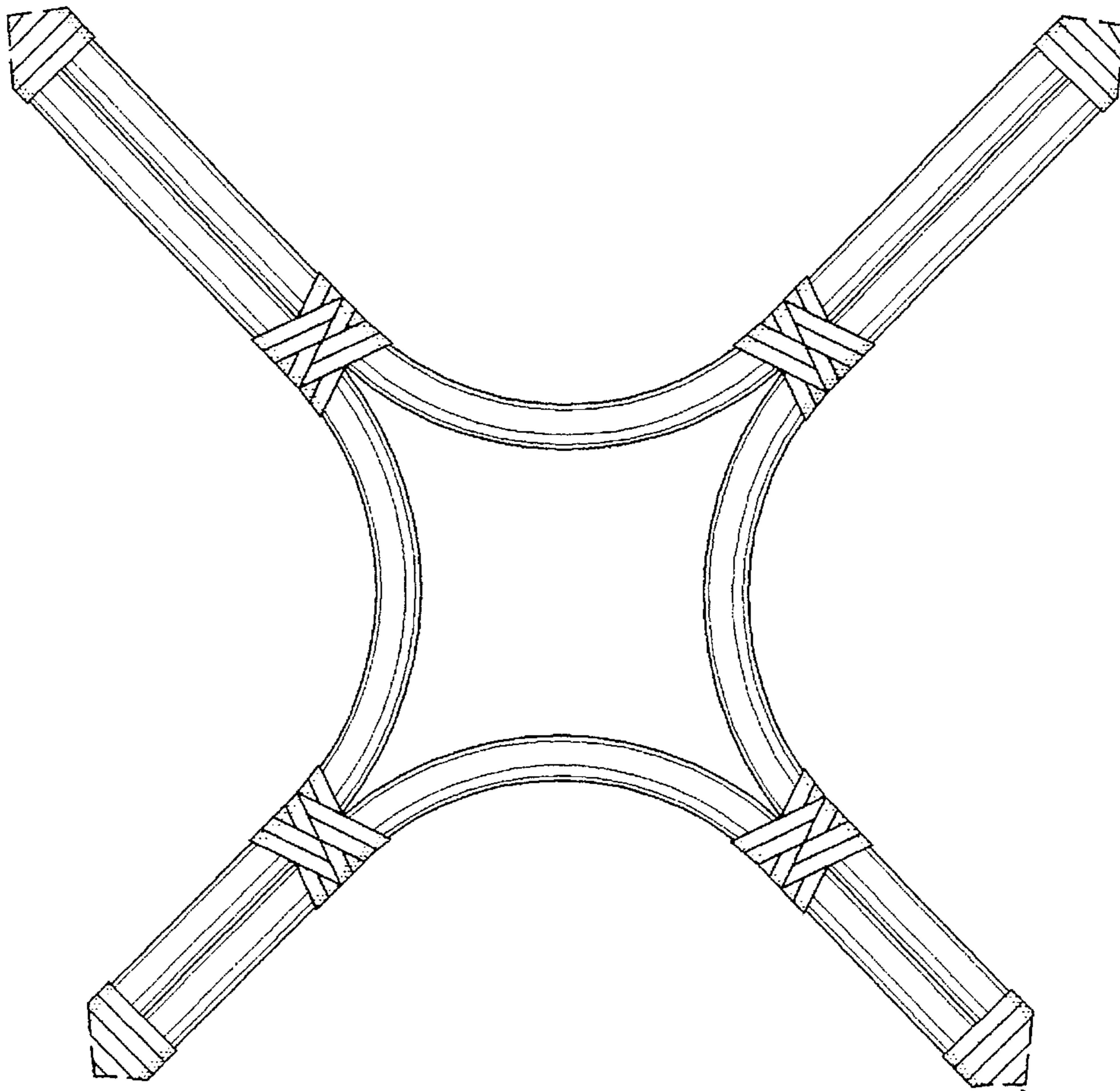


Fig. 4

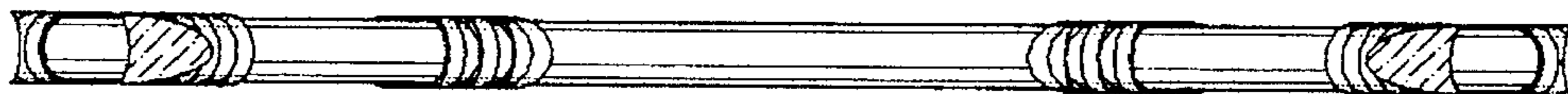


Fig. 5

Fig. 6

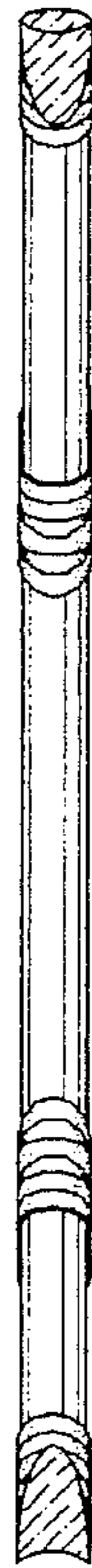
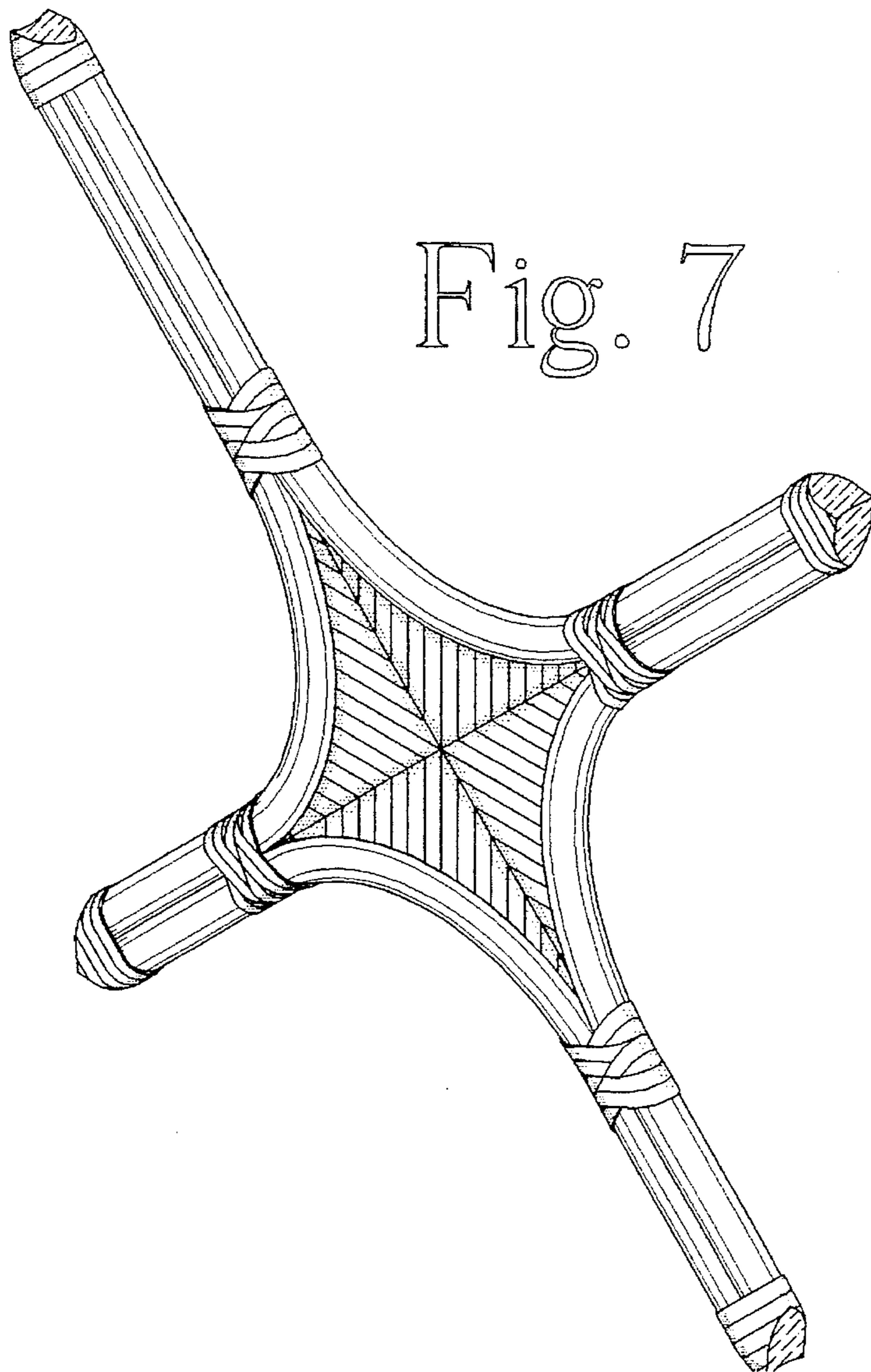


Fig. 7



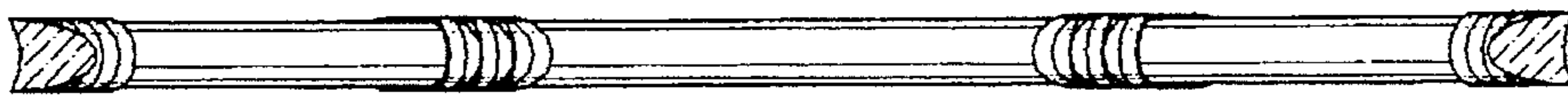


Fig. 8

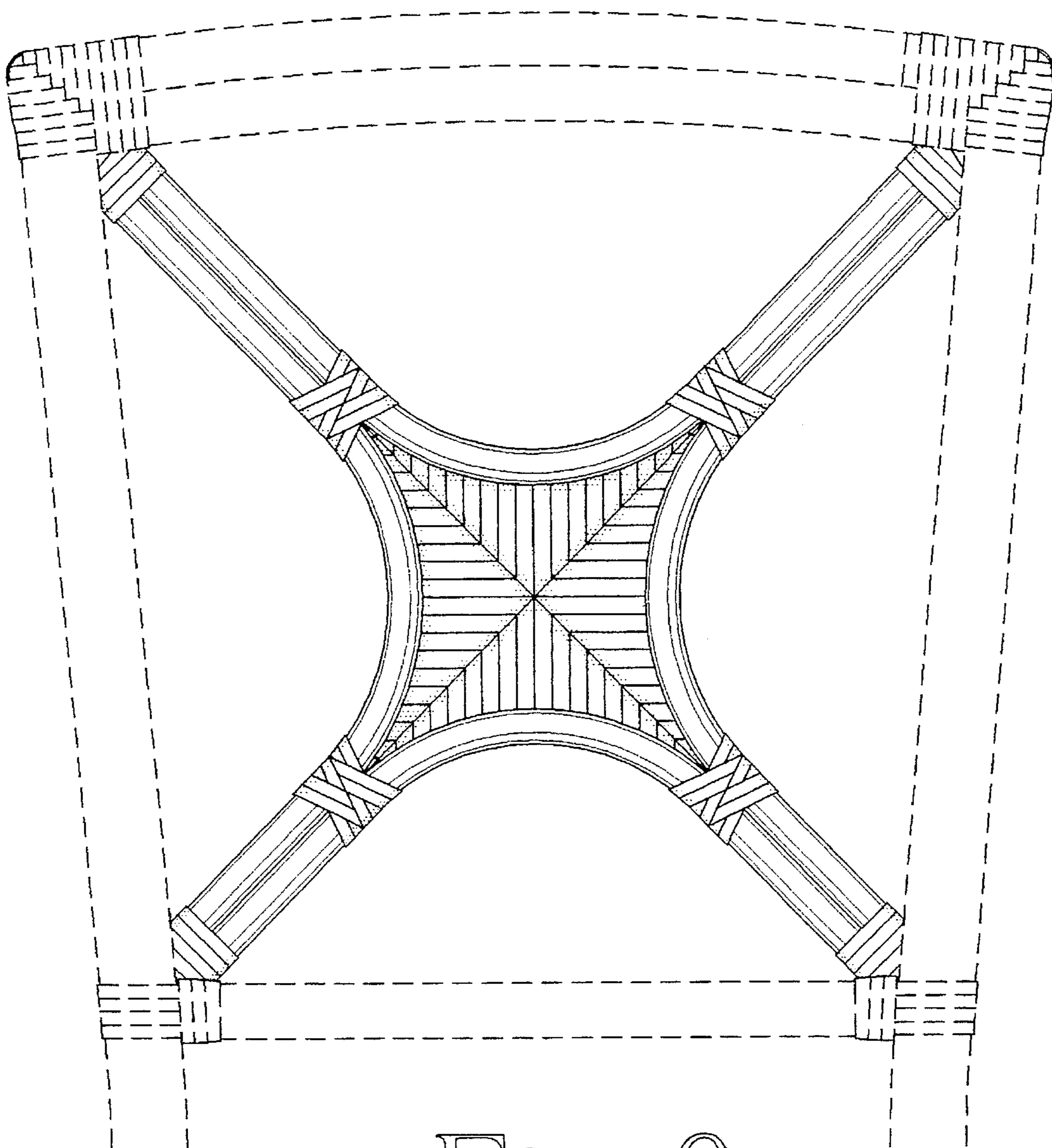


Fig. 9

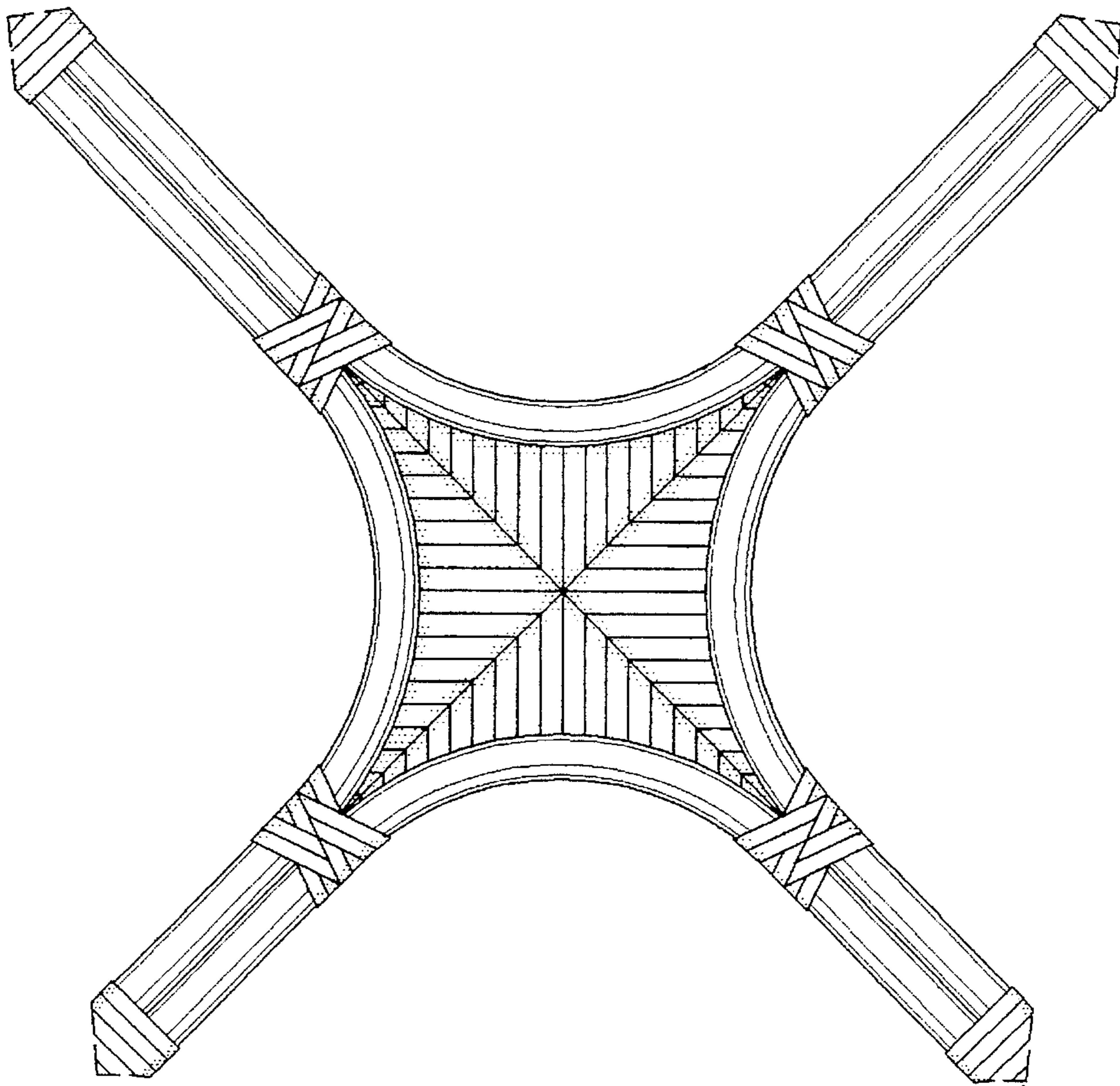


Fig. 10

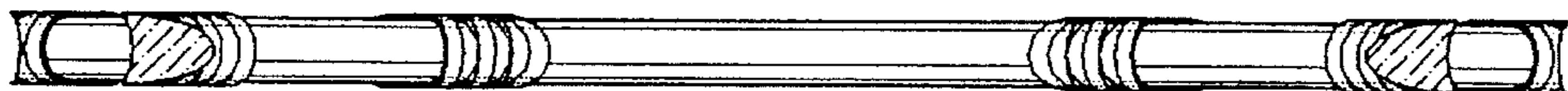
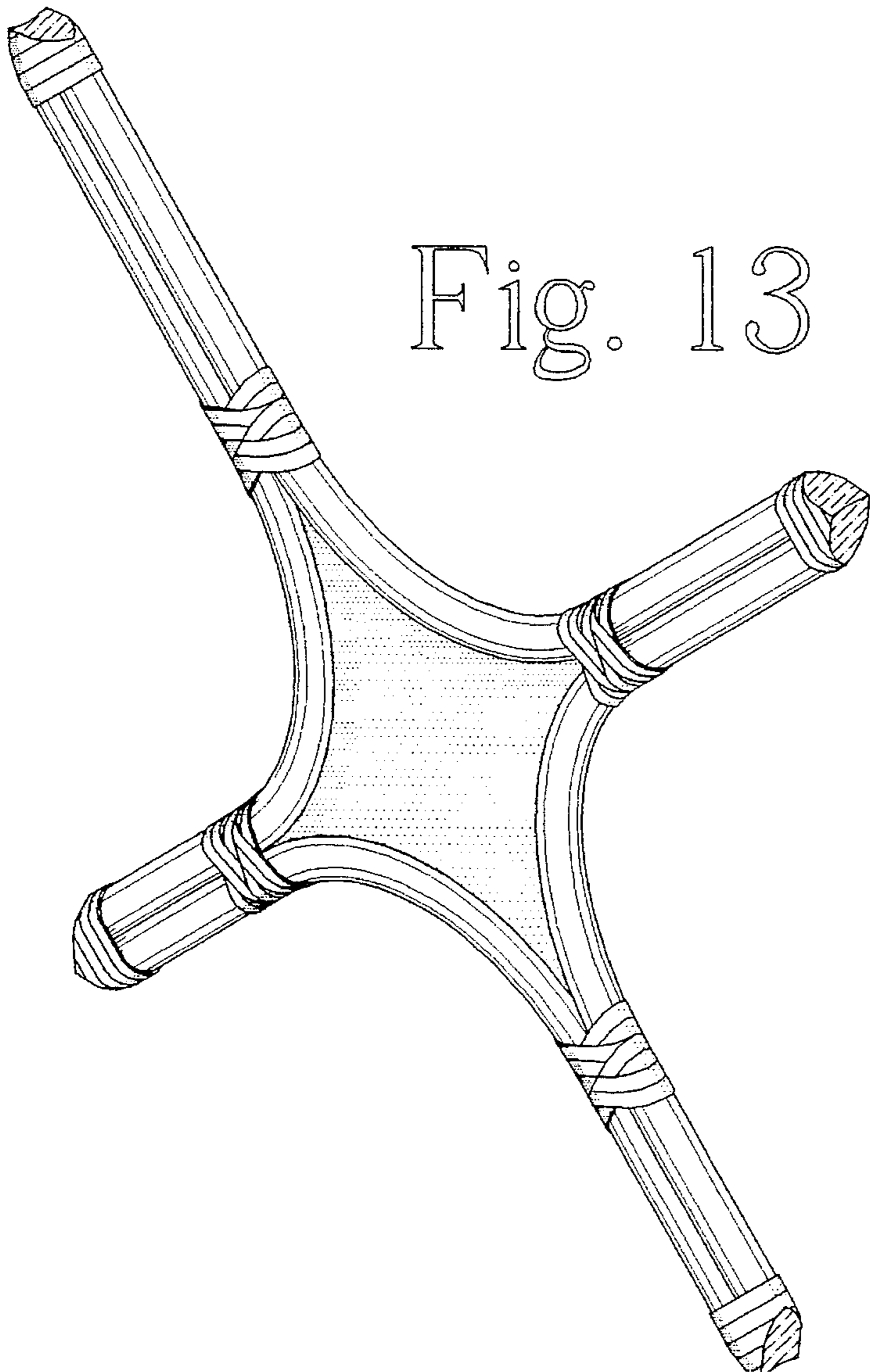


Fig. 11

Fig. 12



Fig. 13



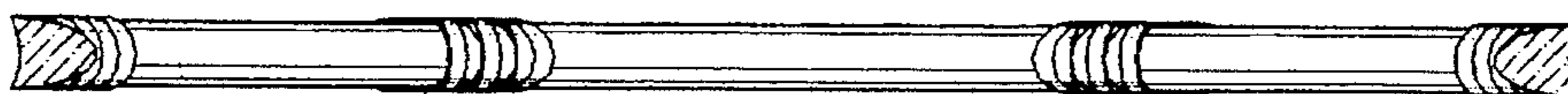


Fig. 14

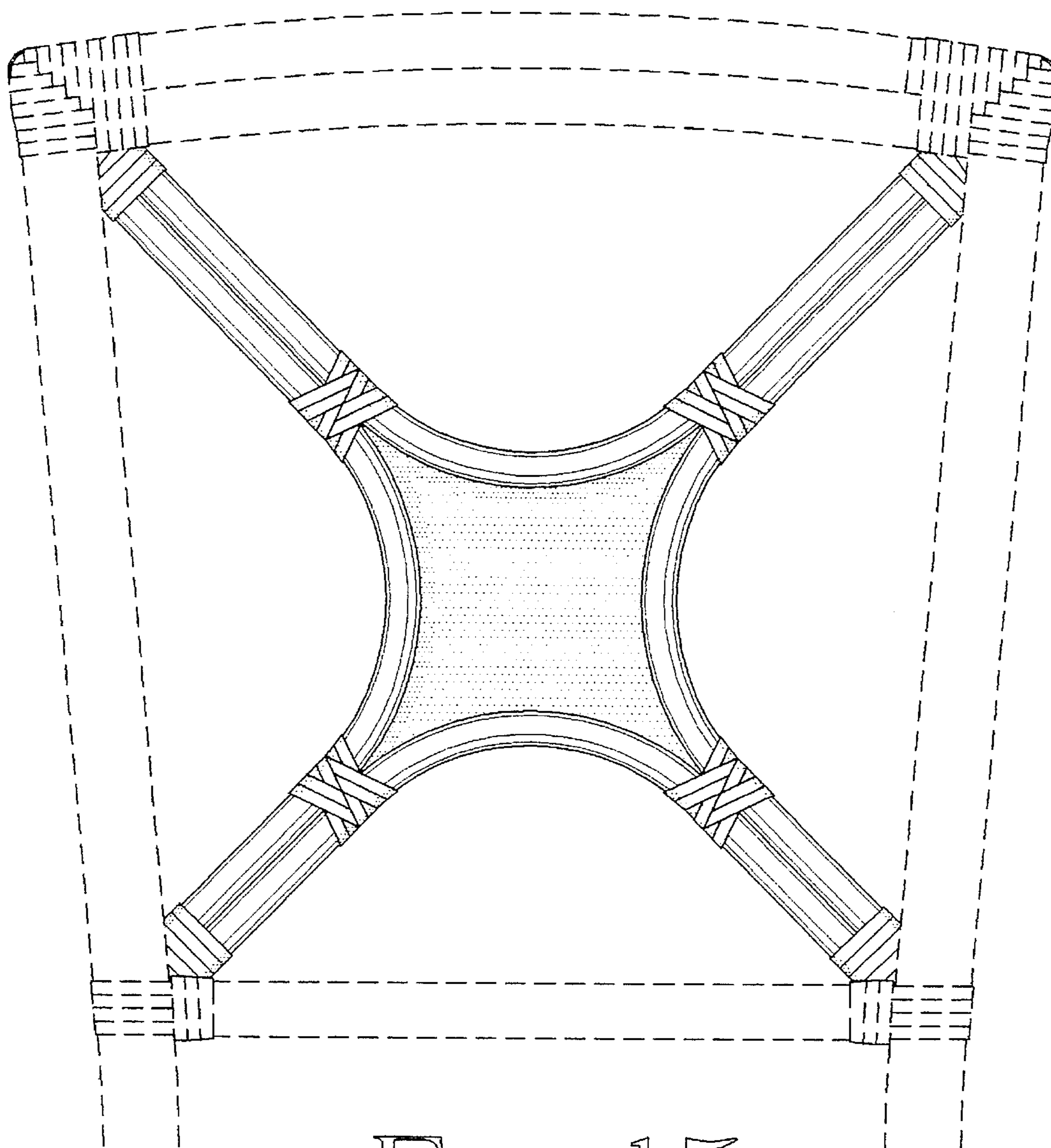


Fig. 15

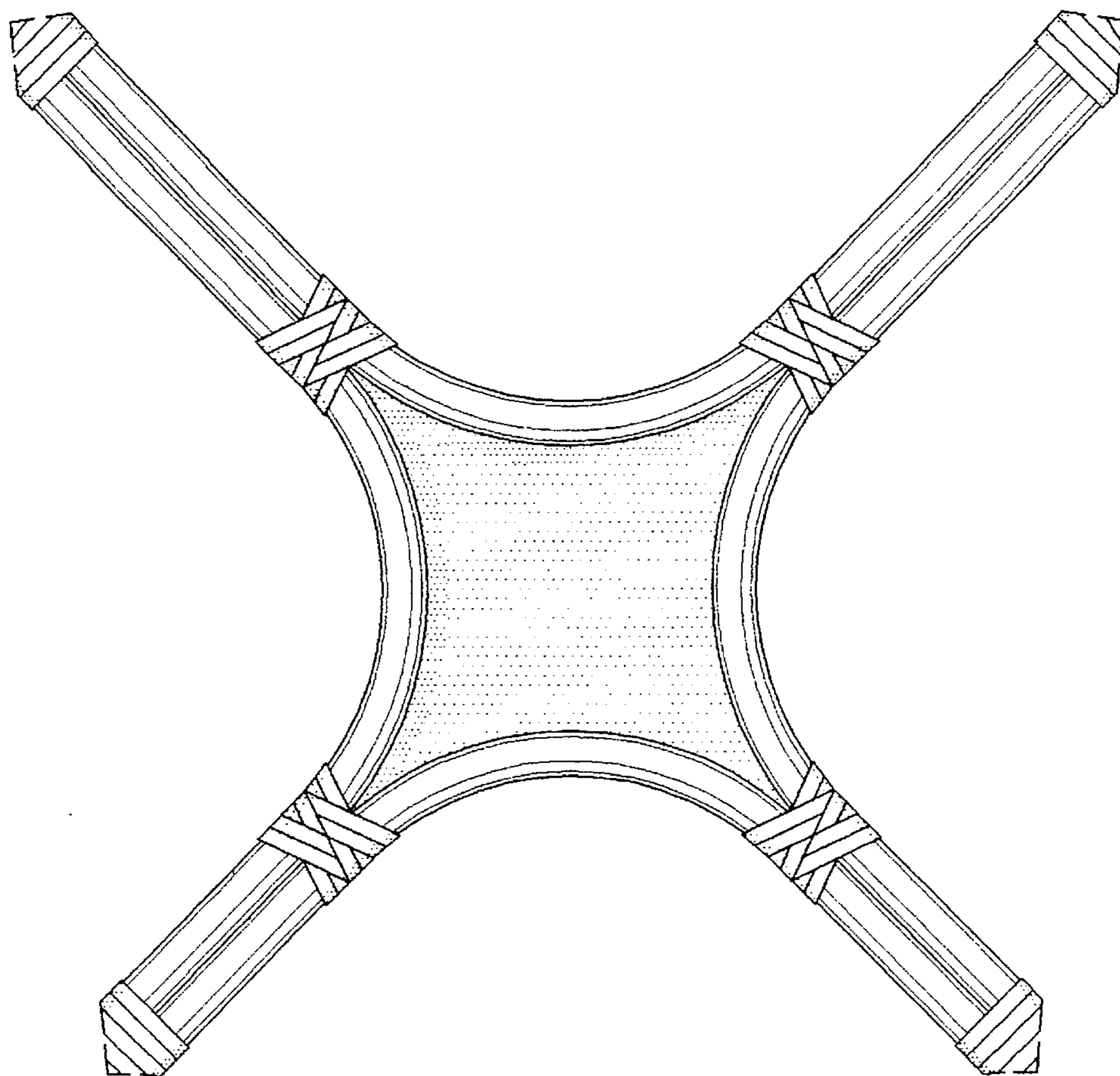


Fig. 16

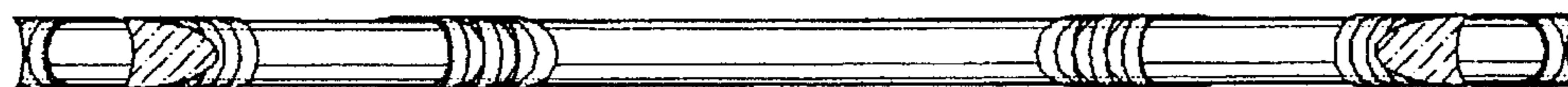


Fig. 17

Fig. 18

