



US00D377725S

United States Patent [19]
Jackson

[11] **Patent Number:** **Des. 377,725**

[45] **Date of Patent:** ****Feb. 4, 1997**

[54] **THINKING MAN'S ARMREST**

Primary Examiner—Gary D. Watson

[76] **Inventor:** **David J. Jackson**, 1307 Herbazal St.,
Sonoma, Calif. 95476

[57] **CLAIM**

[**] **Term:** **14 Years**

The ornamental design for a thinking man's armrest, as shown and described.

[21] **Appl. No.:** **48,004**

DESCRIPTION

[22] **Filed:** **Dec. 18, 1995**

[52] **U.S. Cl.** **D6/501**

FIG. 1 is a front elevational view of the thinking man's armrest showing my new design;

[58] **Field of Search** D6/500, 501, 502;
D8/349, 354; 248/118, 118.1, 118.3; 297/411.2

FIG. 2 is a rear elevational view thereof;

[56] **References Cited**

U.S. PATENT DOCUMENTS

D. 263,540 3/1982 Flanagan D6/501

FIG. 3 is a left side elevational view thereof;

OTHER PUBLICATIONS

Webster's Third New International Dictionary, 1964, p. 1716, Pillory pictured at bottom left.

FIG. 4 is a right side elevational view thereof;

Webster's New World Dictionary, ©1972, p. 1080, Pillory pictured at center left.

FIG. 5 is a top plan view thereof; and,

FIG. 6 is a bottom plan view thereof.

1 Claim, 3 Drawing Sheets

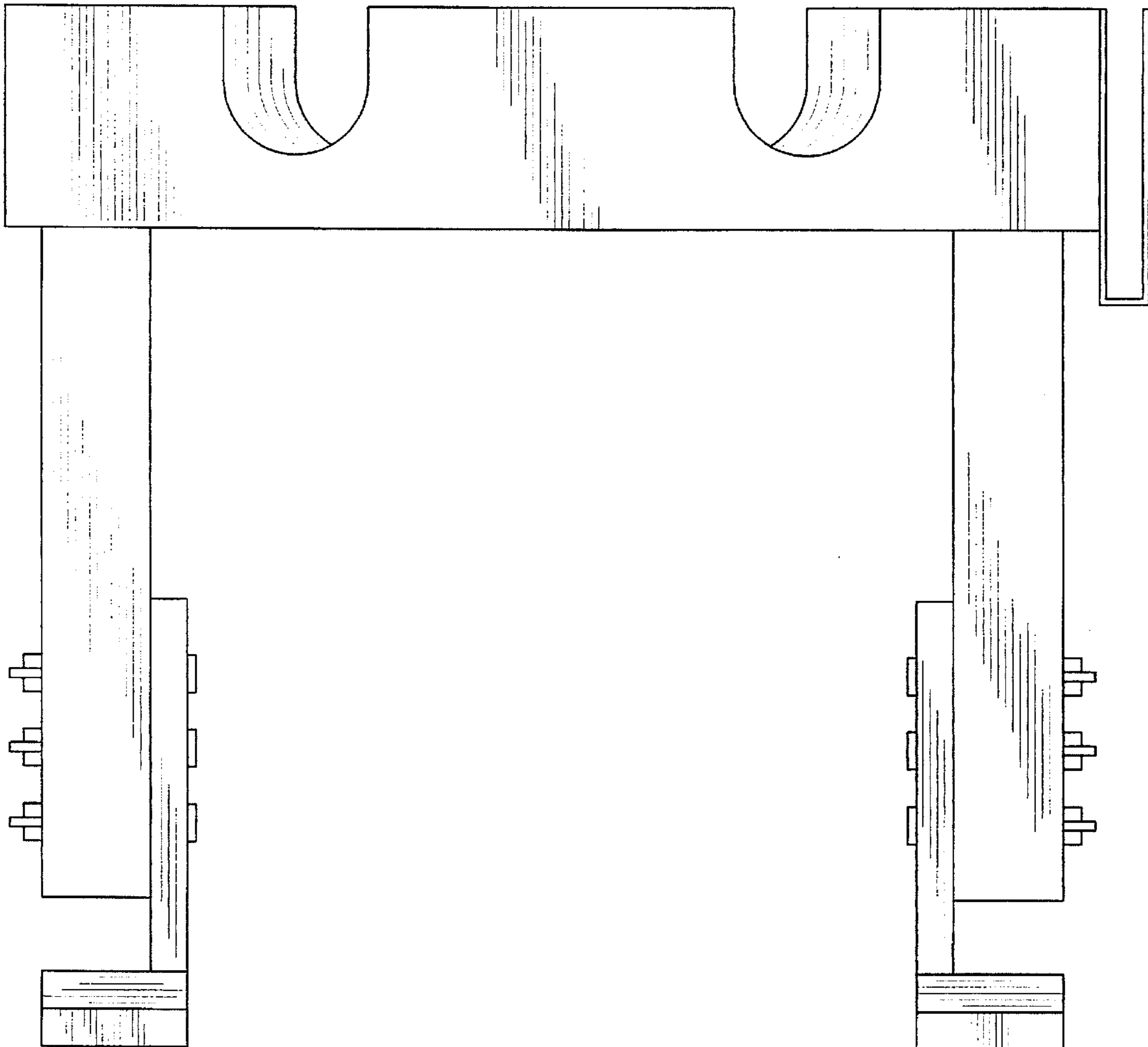


FIG. 1

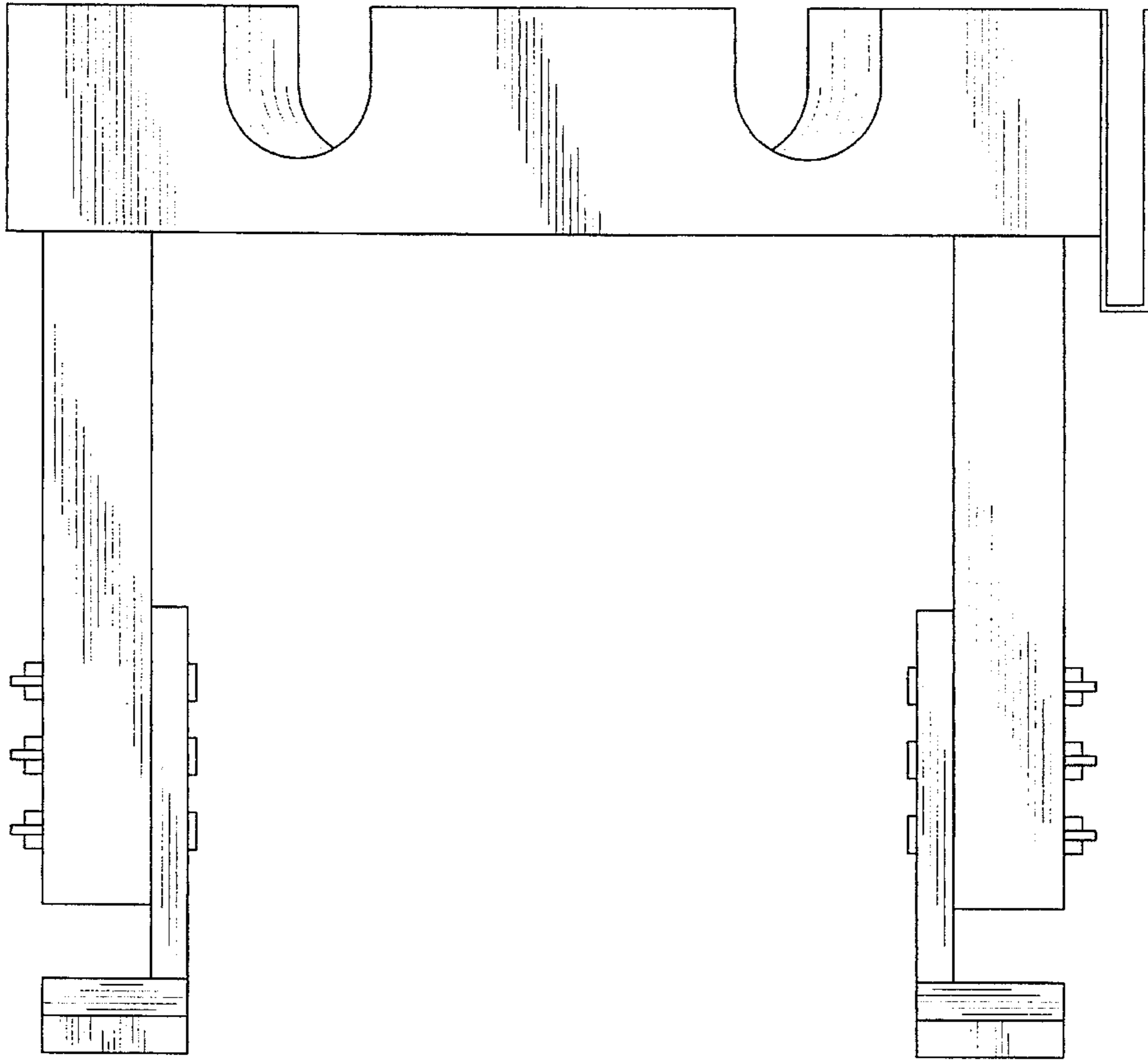


FIG. 2

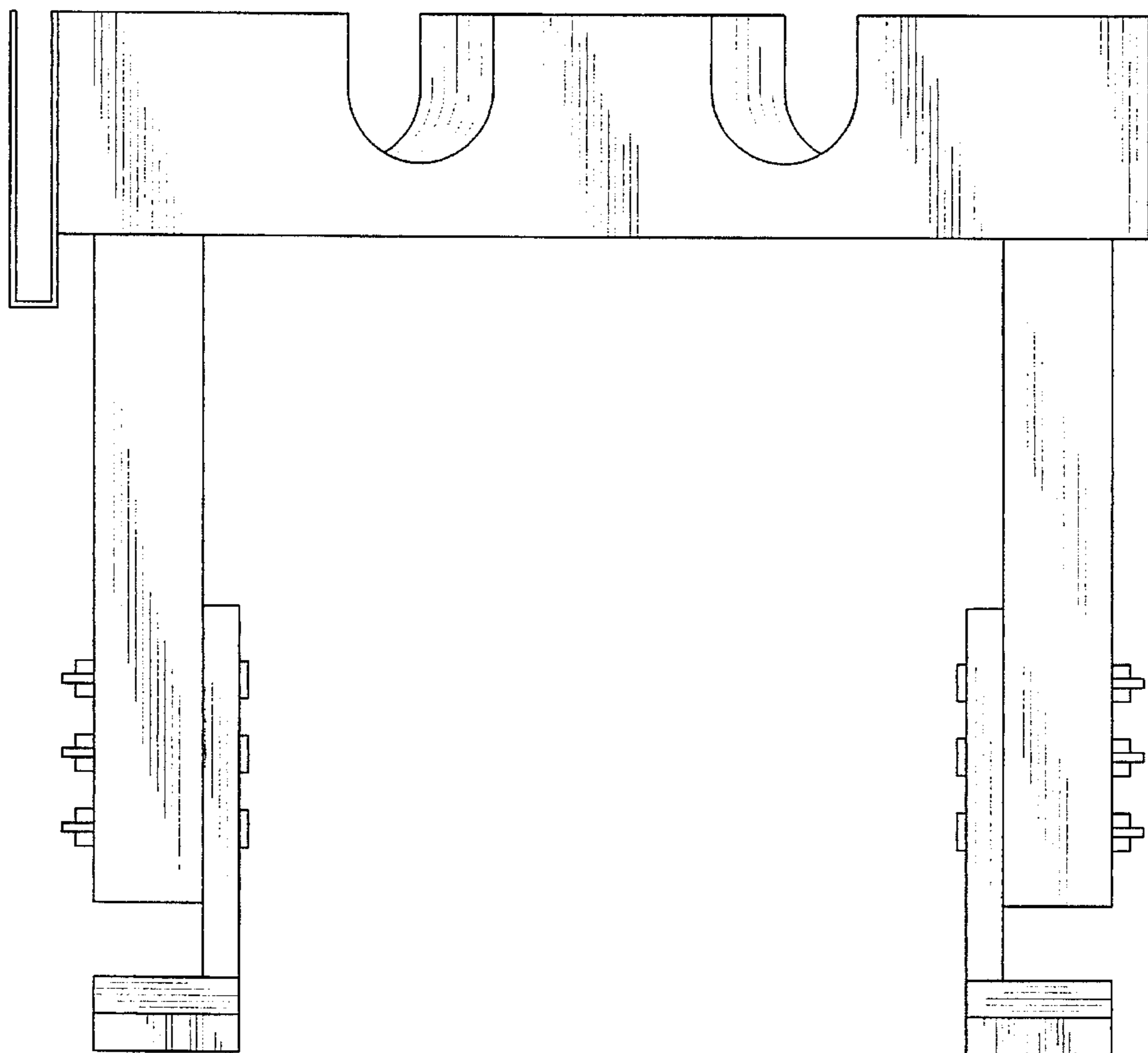


FIG. 3

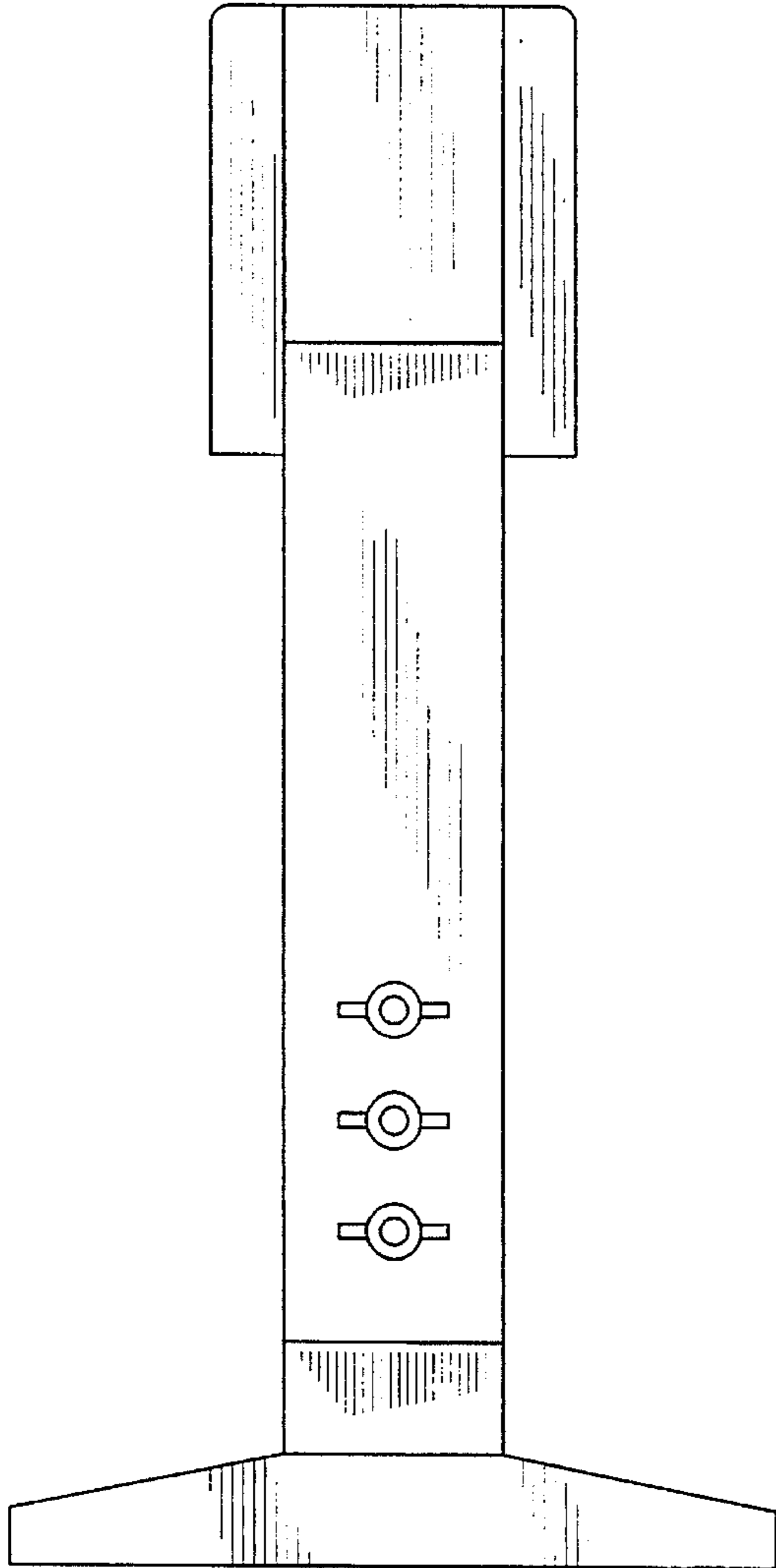


FIG. 4

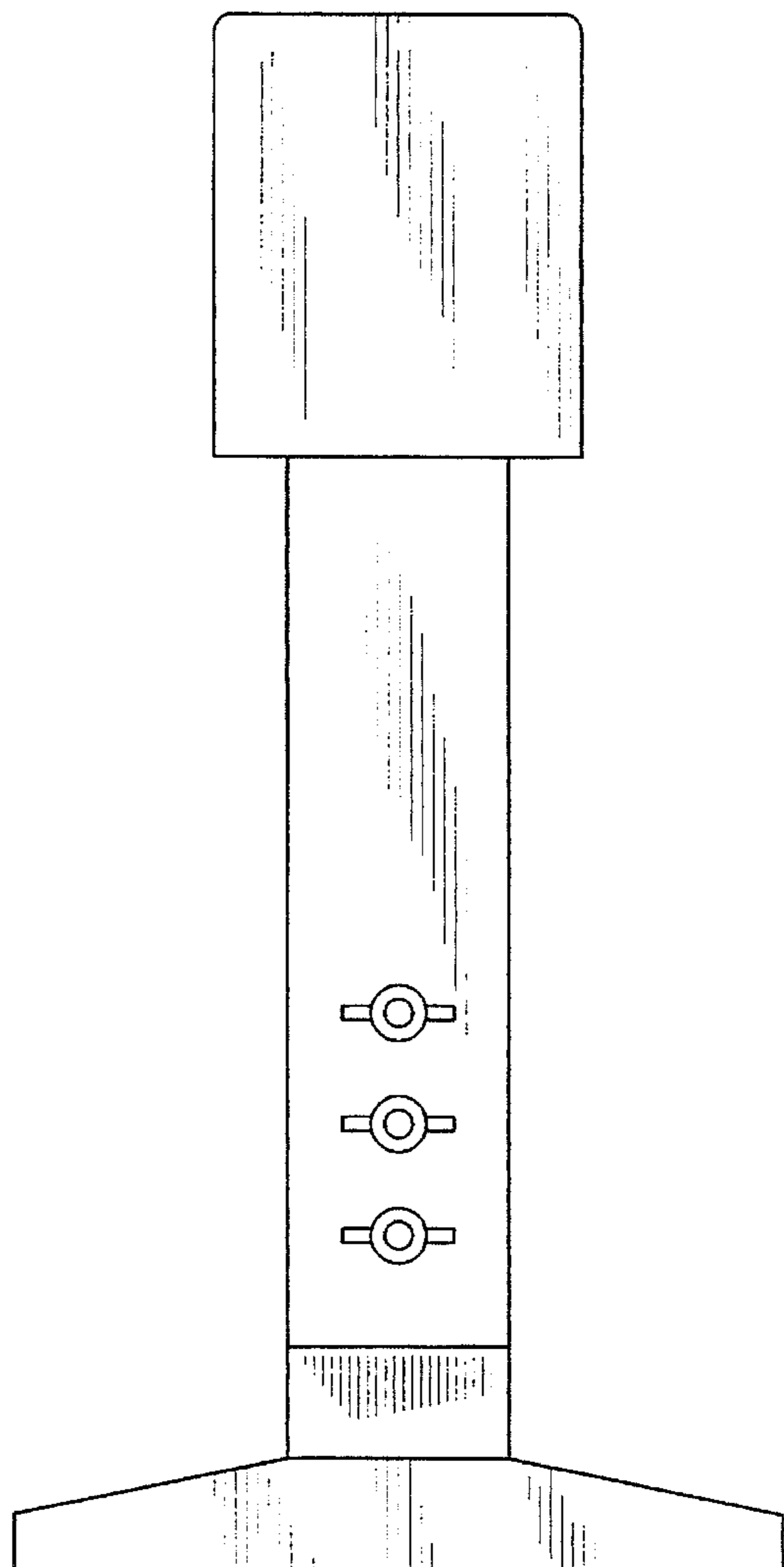


FIG. 5

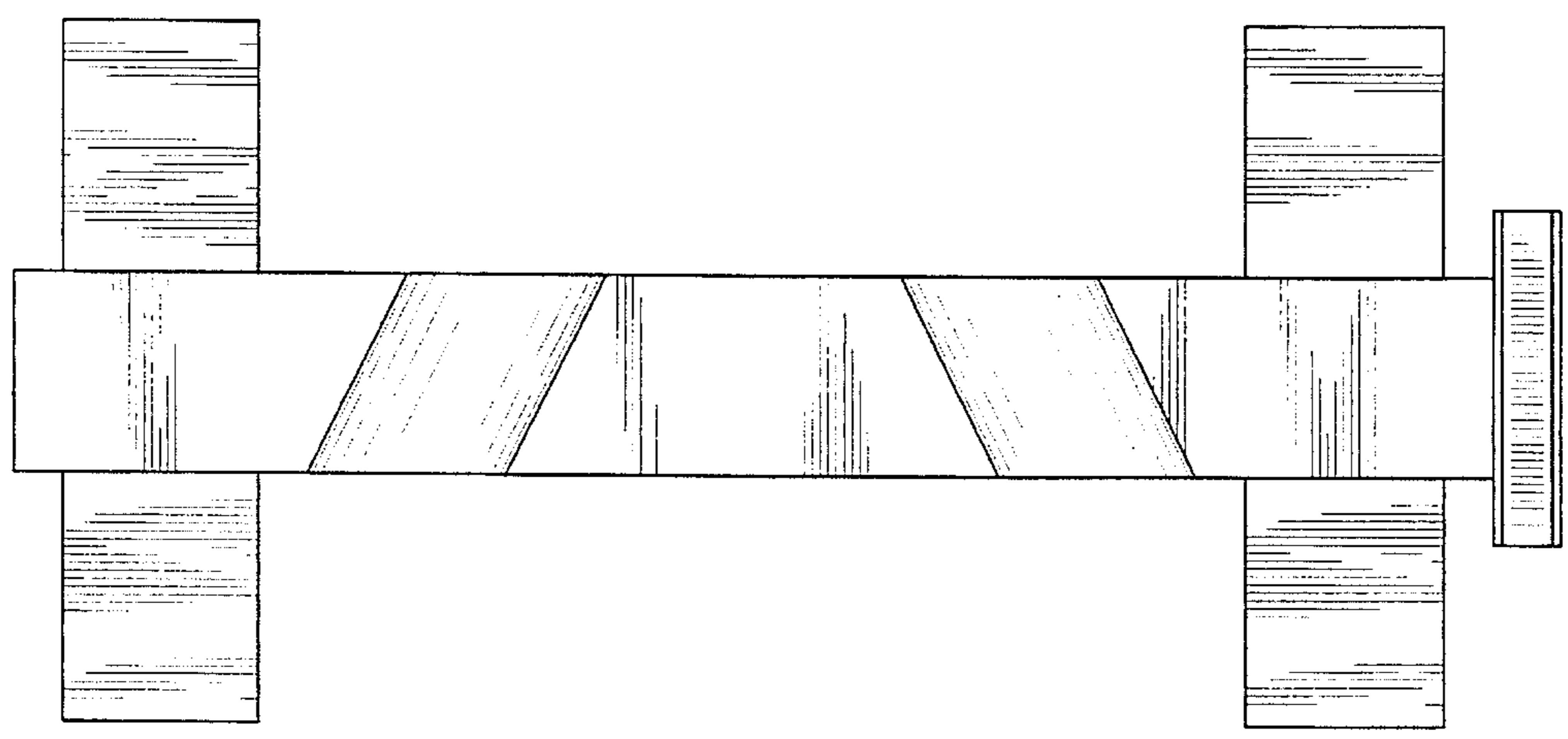


FIG. 6

