



US00D377721S

United States Patent [19]

Pohlman

[11] Patent Number: **Des. 377,721**

[45] Date of Patent: ****Feb. 4, 1997**

[54] **FILE CABINET**

[75] Inventor: **J. Kipton Pohlman**, Los Angeles, Calif.

[73] Assignee: **Rubbermaid Office Products Inc.**, Maryville, Tenn.

[**] Term: **14 Years**

[21] Appl. No.: **39,500**

[22] Filed: **May 25, 1995**

[52] U.S. Cl. **D6/436**

[58] Field of Search D6/432-448; 312/107, 312/204, 108, 290, 223.1, 223.2, 223.3

[56] **References Cited**

U.S. PATENT DOCUMENTS

D. 236,782	9/1975	Sklaroff	D6/446
D. 289,474	4/1987	Underwood et al.	D6/419
D. 297,141	8/1988	Goodlander	D14/114
D. 306,240	2/1990	Newhouse	D6/448
D. 328,203	7/1992	Allen	D6/437
D. 328,824	8/1992	Bellini et al.	D6/445
D. 340,820	11/1993	Frischer	D6/441
D. 365,224	12/1995	Pohlman	D6/445
D. 368,604	4/1996	Gotham et al.	D6/436
4,443,046	4/1984	Hannah	312/183
4,889,396	12/1989	Mitchell et al.	312/221

OTHER PUBLICATIONS

P. 88, Table and cabinet. Dealers' Office Equipment, Inc., 19300 Janacek Court, Waukesha, Wisconsin, 53186. Publication date 1992.

P. 35, Stands; Devoke Computer Support Products, address unknown. Publication date Fall/Winter 1987.

Catalog page, Cabinet; Geneal, Buromobelfabrik GmbH, Worringstrabe 250, Postfach 170108, D-4300 Essen 17, West Germany. Published at least as early as Sep. 1988.

P. 32, Cabinet; Global Computer Supplies, A Division of Global Equipment Company, 2318 East Del Amo Boulevard, Compton, California 90220. Publication date Jul., 1984.

Pp. 160 and 163, Workstation, cabinet and stand; Global Computer Supplies, A Division of Global Equipment Company, 2318 East Del Amo Boulevard, Compton, California 90220. Publication date Jan., 1992.

Catalog page, Cube; Inmac, 2465 Augustine Drive, P.O. Box 58031, Santa Clara, California 95052-8031. Publication date Winter/Spring 1992.

P. 67, Cabinet, Misco, One Misco Plaza, Holmdel, New Jersey 07733. Publication date 1992.

P. 75 Sound enclosure, Misco, One Misco Plaza, Holmdel, New Jersey 07733. Publication date Apr. 1992.

Primary Examiner—Carmen H. Vales-Lado

Attorney, Agent, or Firm—Richard B. O'Planick; Lisa B. Riedesel

[57] **CLAIM**

The ornamental design for a file cabinet, as shown and described.

DESCRIPTION

FIG. 1 is a top right front perspective view of a file cabinet showing my new design;

FIG. 2 is a front elevational view thereof;

FIG. 3 is a right side elevational view thereof;

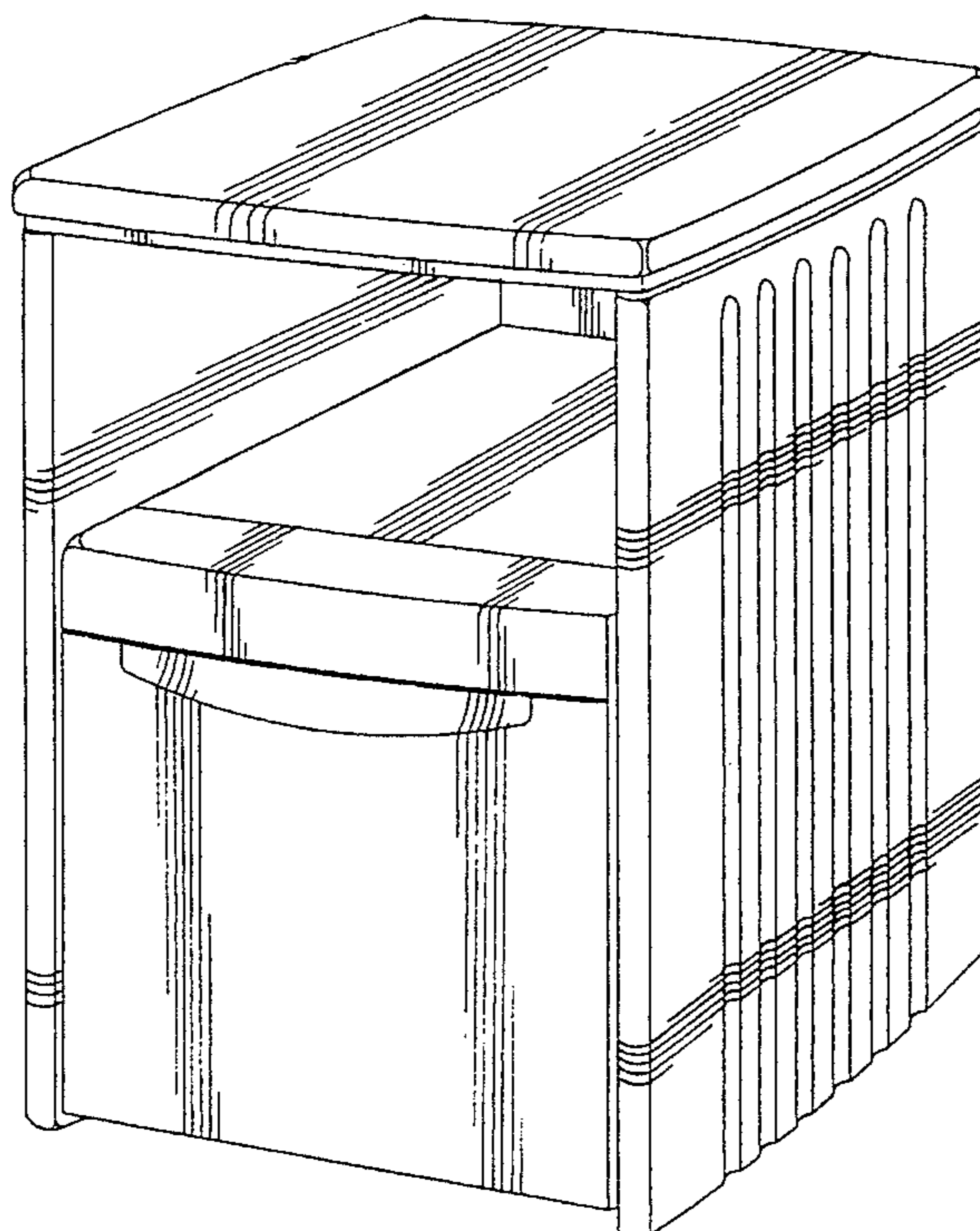
FIG. 4 is a top plan view thereof;

FIG. 5 is a rear elevational view thereof;

FIG. 6 is a bottom plan view thereof; and,

FIG. 7 is a left side elevational view thereof.

1 Claim, 4 Drawing Sheets



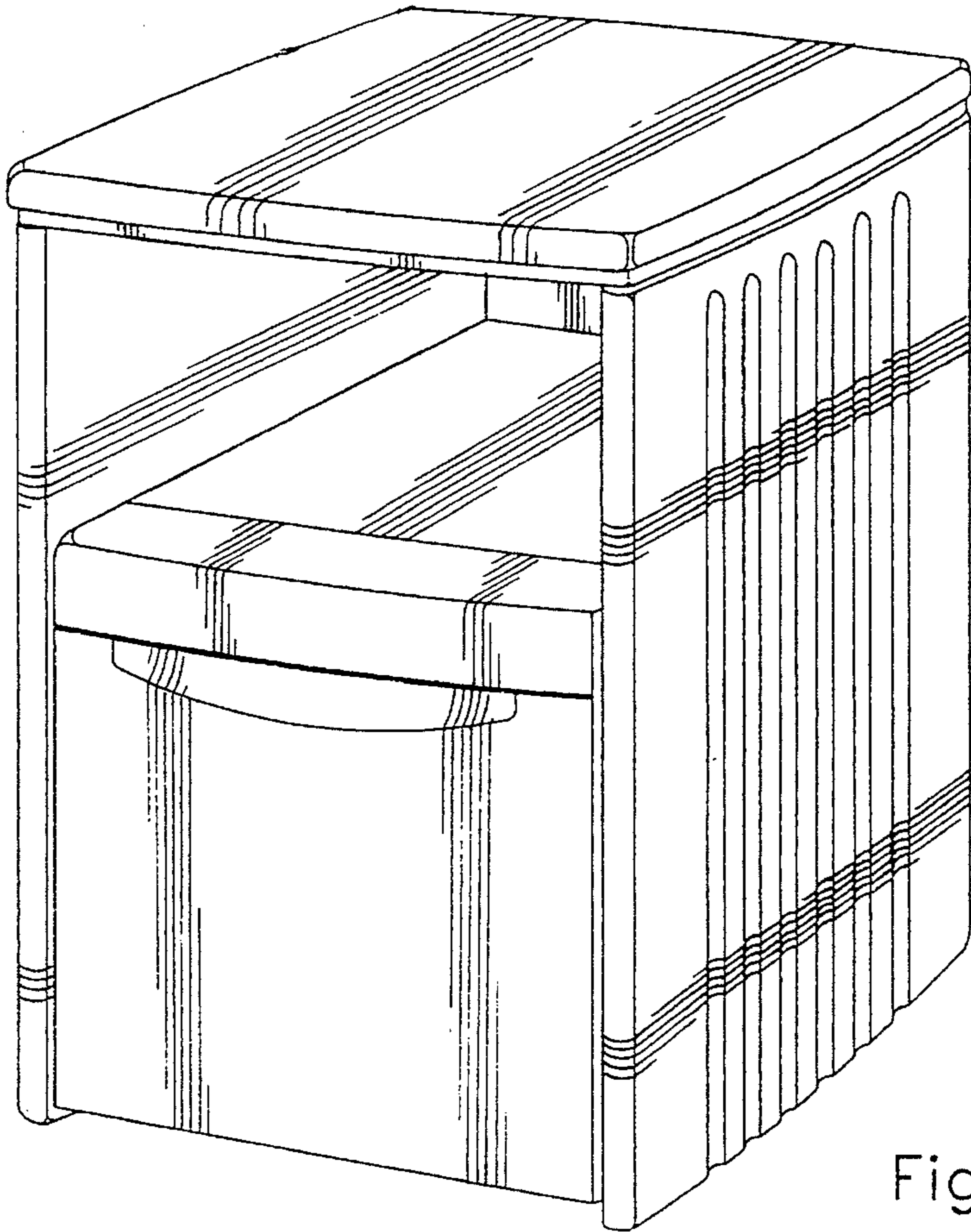


Fig-1

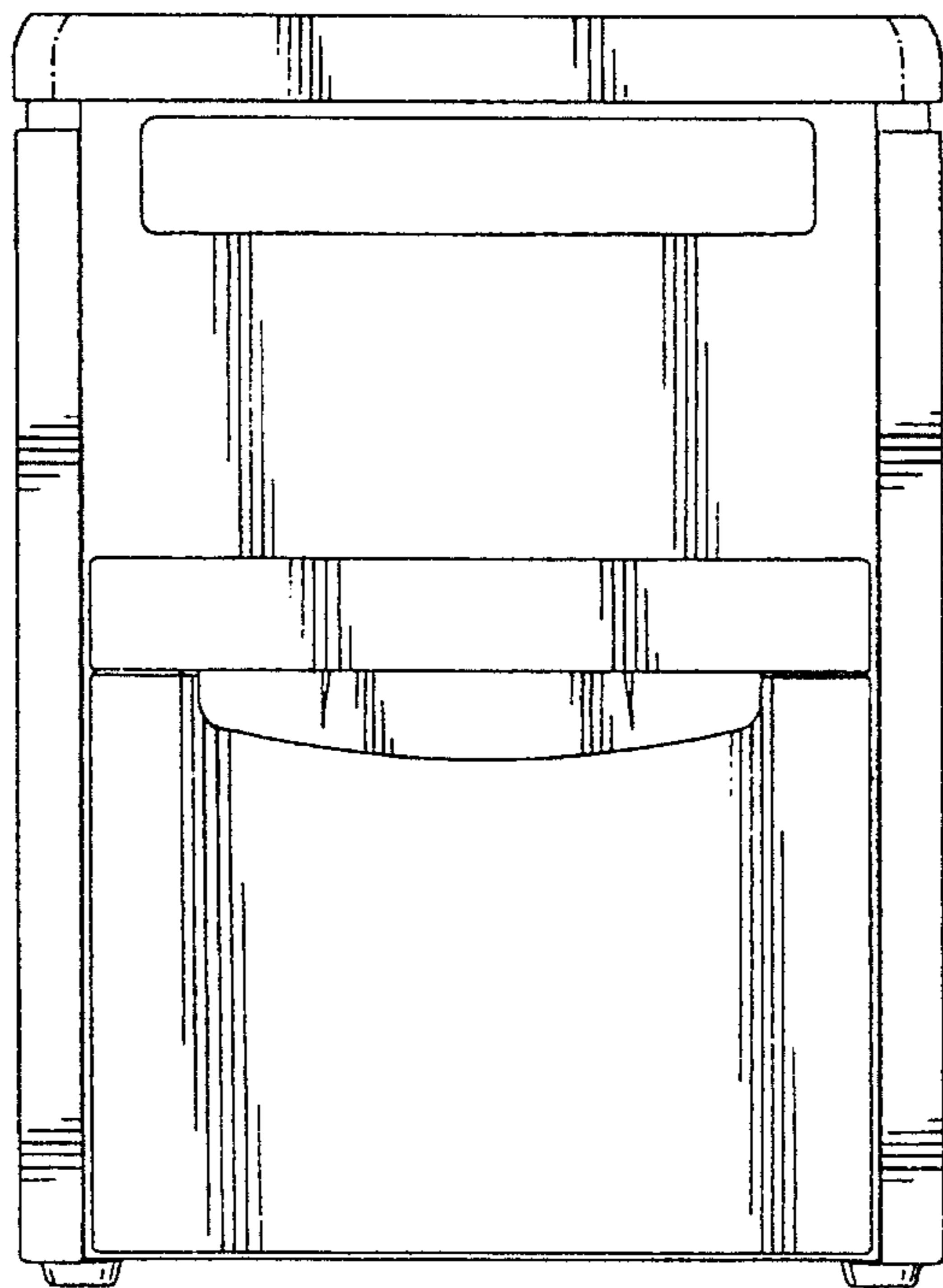


Fig-2

Fig-3

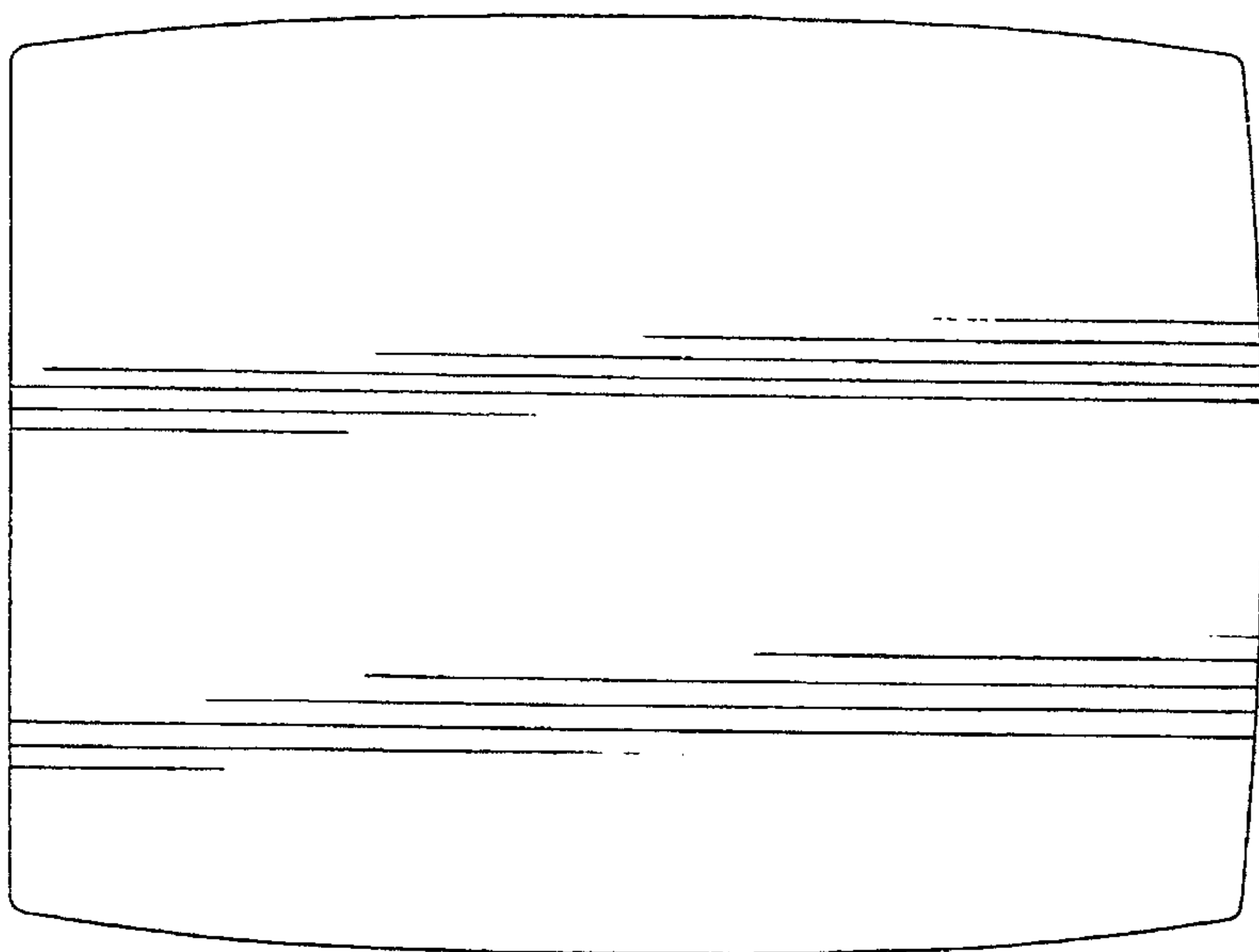
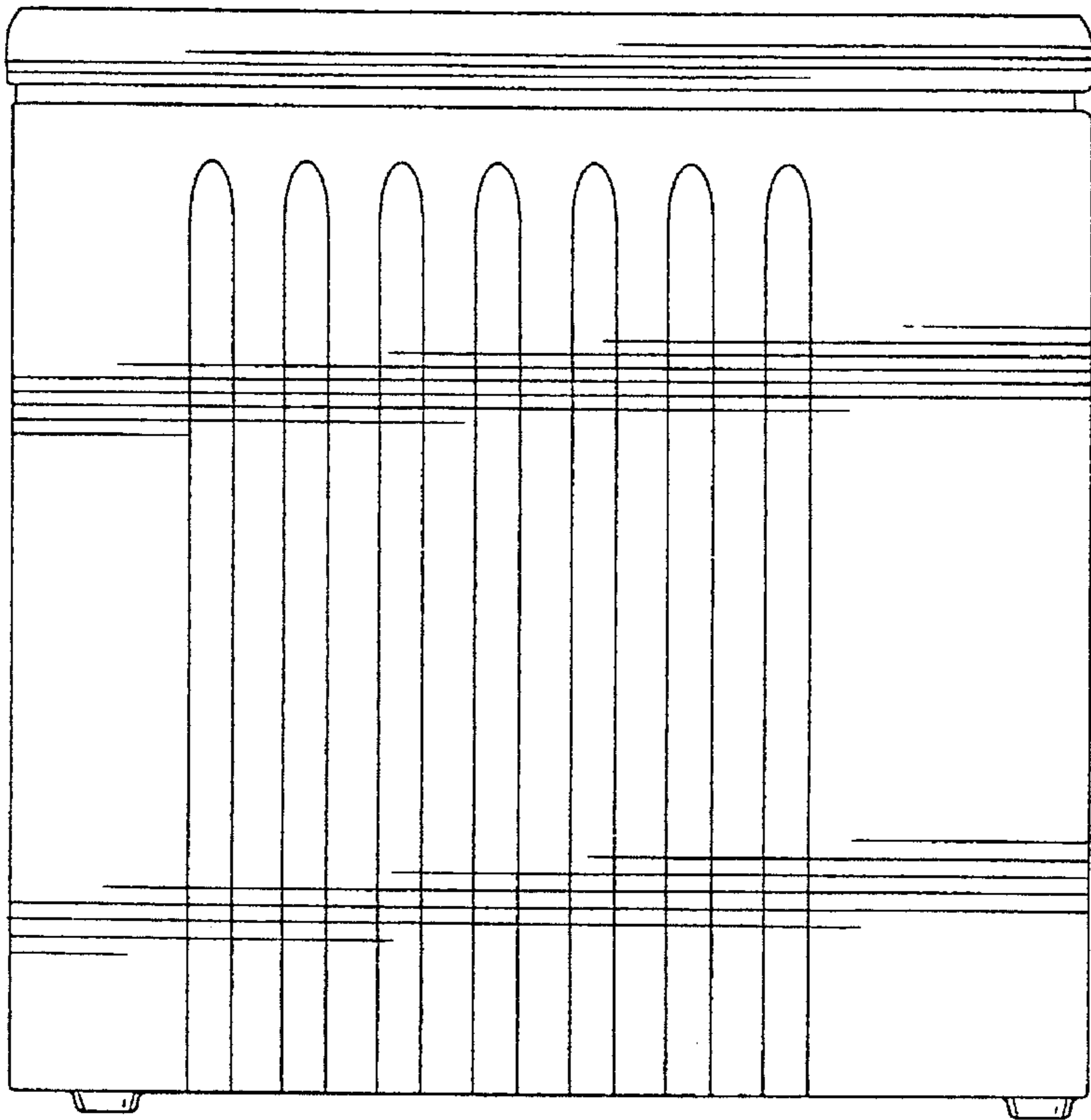


Fig-4

Fig-5

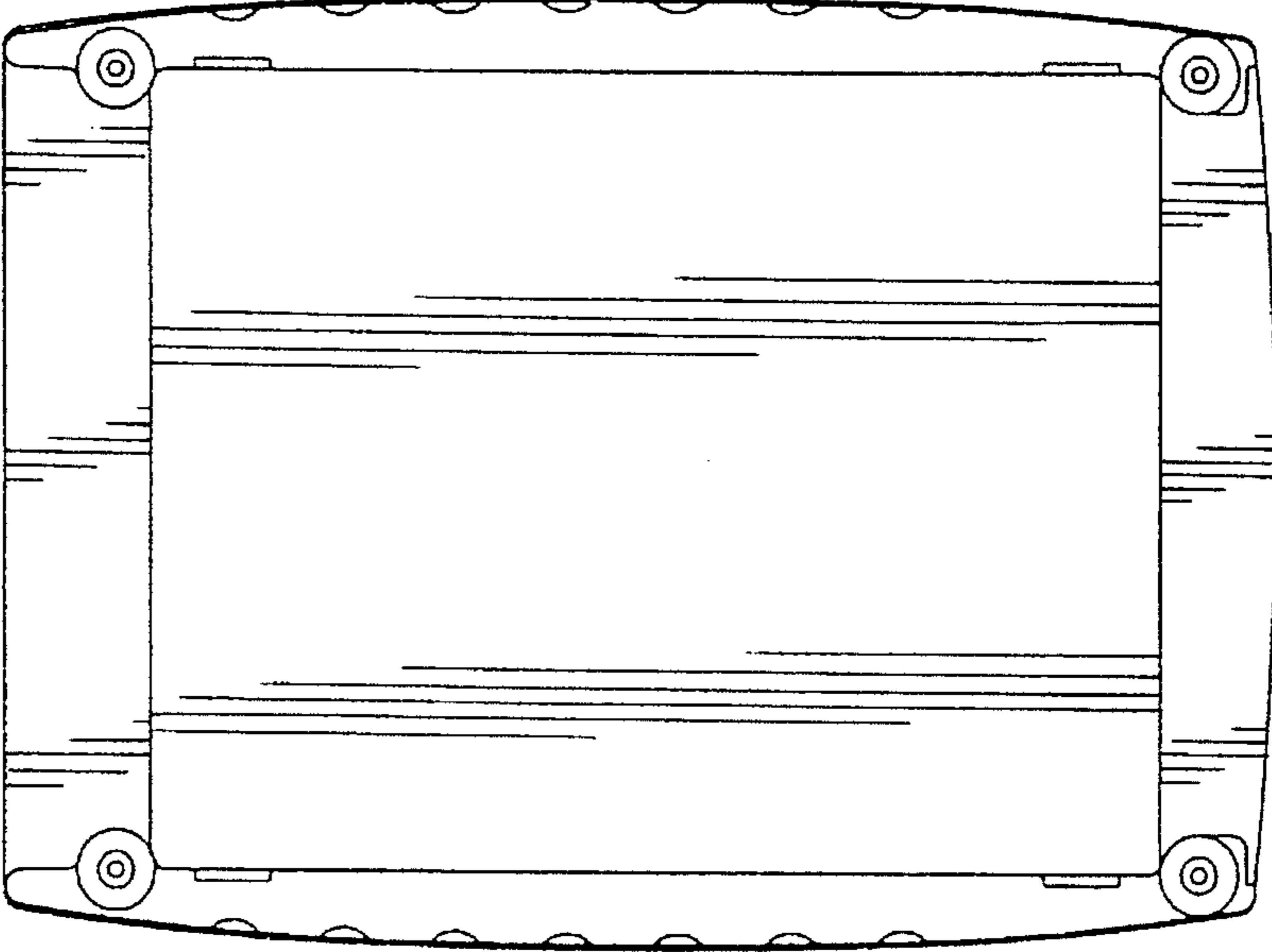
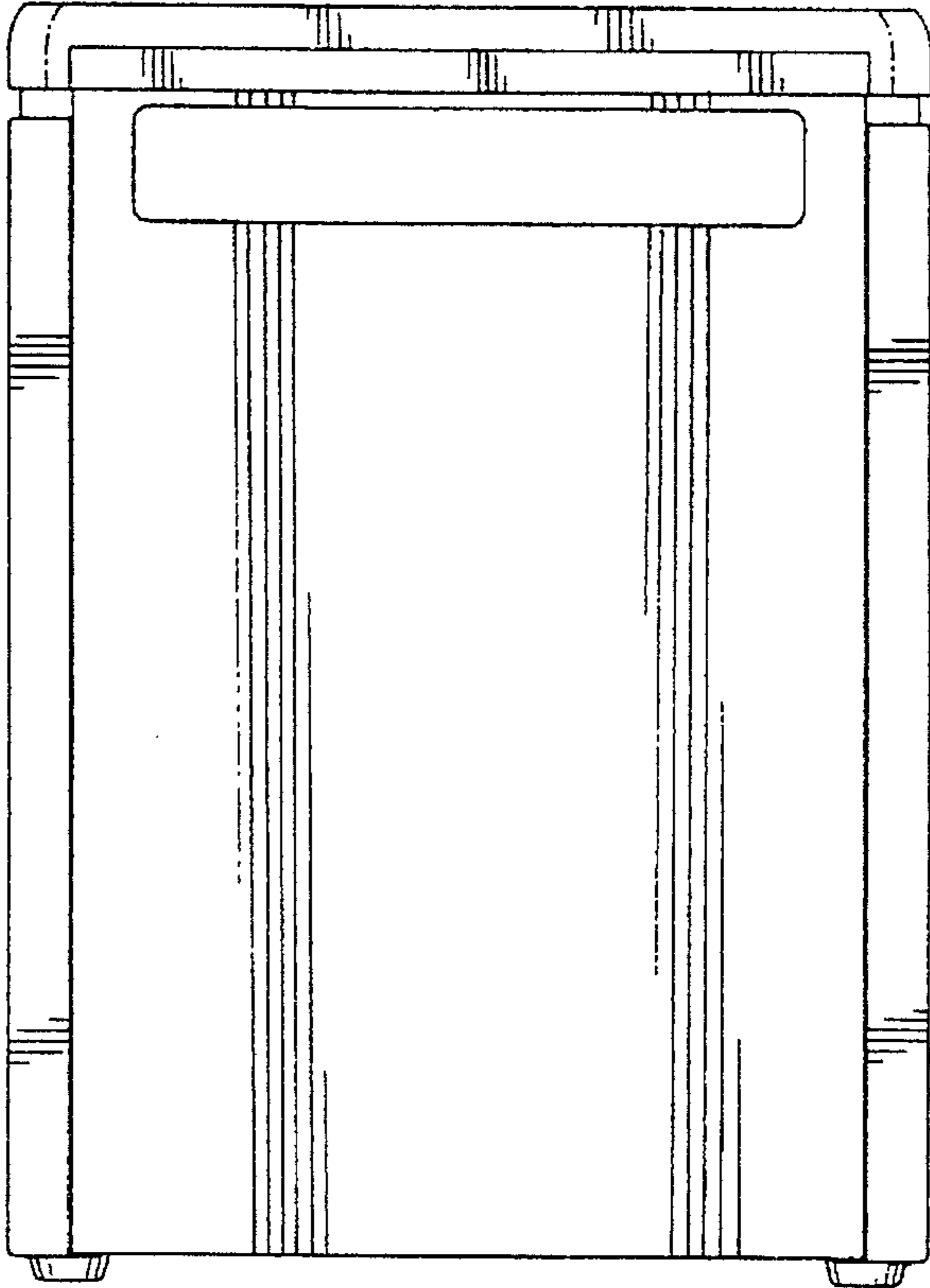


Fig-6

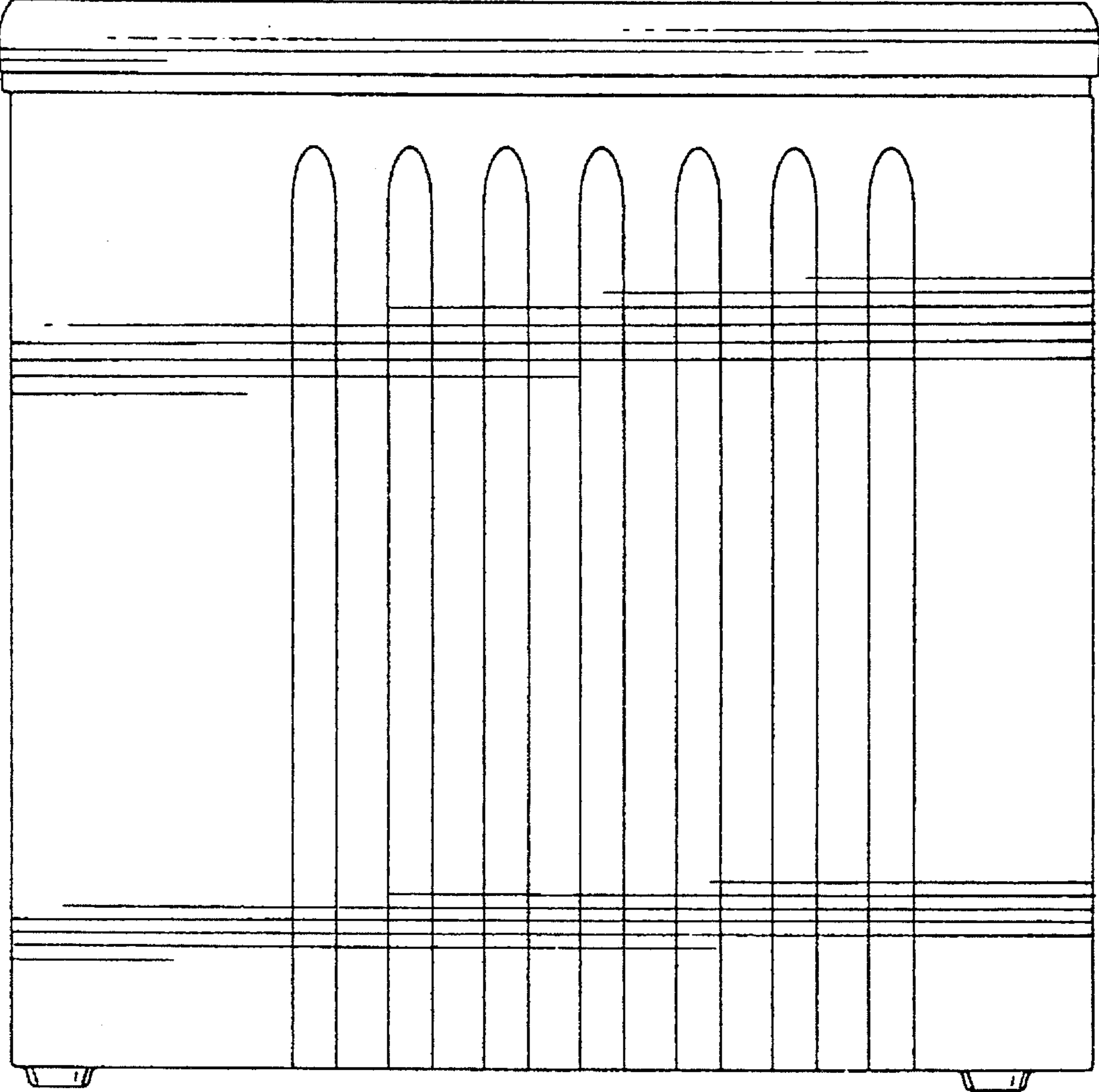


Fig-7