



US00D377720S

United States Patent [19]

Miller et al.

[11] Patent Number: **Des. 377,720**

[45] Date of Patent: ****Feb. 4, 1997**

[54] **LAPTOP COMPUTER CART**

[75] Inventors: **Joseph E. Miller**, Naples, Fla.; **James M. Holler**, Jamestown, N.Y.; **James G. Fiala**, Wayland, Mass.

[73] Assignee: **Bush Industries, Inc.**, Jamestown, N.Y.

[**] Term: **14 Years**

[21] Appl. No.: **49,498**

[22] Filed: **Jan. 26, 1996**

[52] U.S. Cl. **D6/425**

[58] Field of Search D6/422-431, 484, D6/474; 312/194-196; 108/59, 60; D34/19, 20, 21

[56] **References Cited**

U.S. PATENT DOCUMENTS

D. 281,297	11/1985	Esslinger	D6/484
D. 288,331	2/1987	Huldt	D34/21
D. 292,154	10/1987	Worrell et al.	D6/484
D. 296,143	6/1988	Battess	D34/21
D. 304,112	10/1989	Bettess	D34/21
D. 311,291	10/1990	Ugalde	D6/474
D. 314,105	1/1991	Vossoughi	D6/484
D. 352,845	11/1994	Hellwig et al.	D6/422
D. 365,709	1/1996	Leveen et al.	D6/474
D. 367,774	3/1996	Wood, Jr.	D6/422

D. 370,579 6/1996 Simon D6/484

Primary Examiner—Carmen H. Vales-Lado
Attorney, Agent, or Firm—Webb Ziesenheim Bruening
Logsdon Orkin & Hanson, P.C.

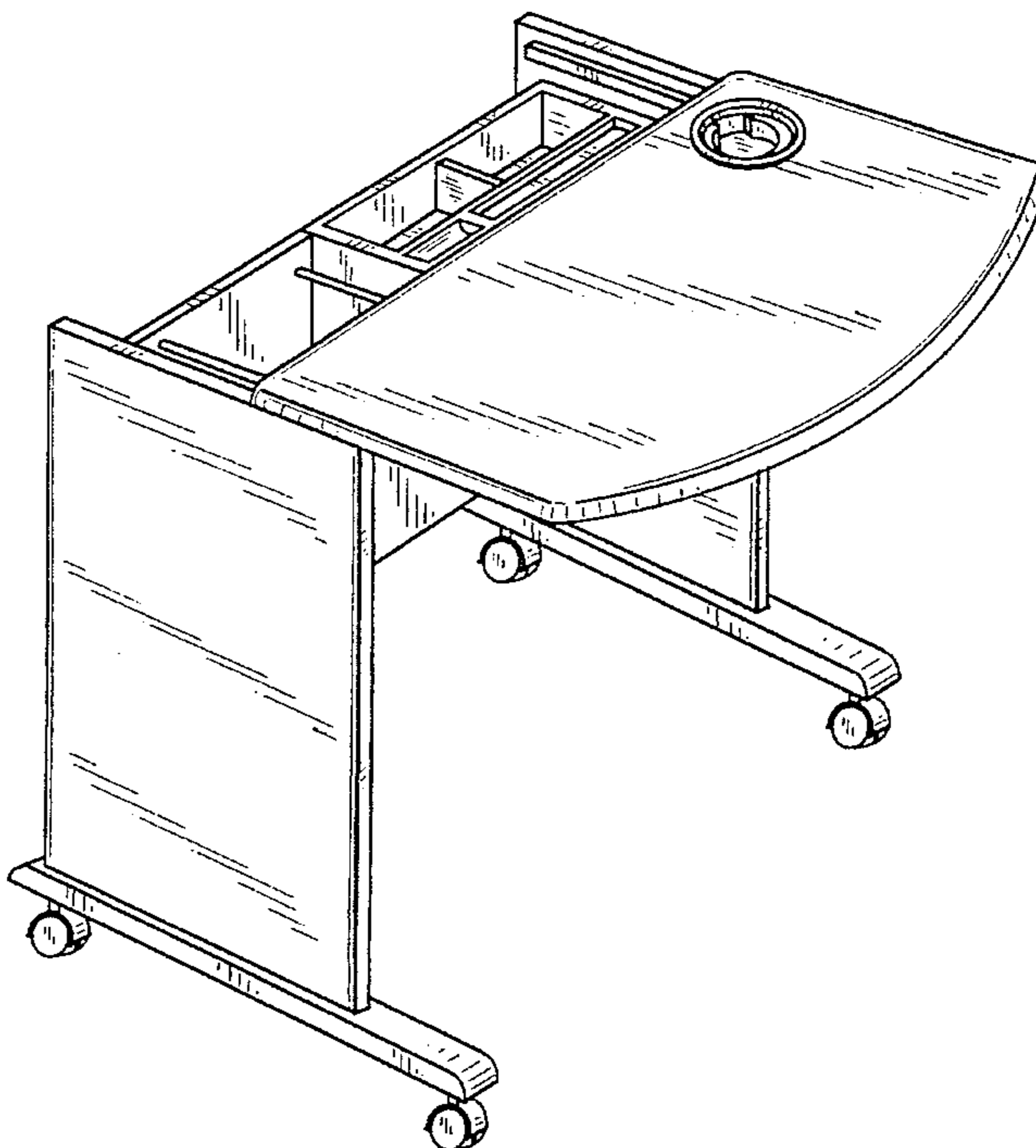
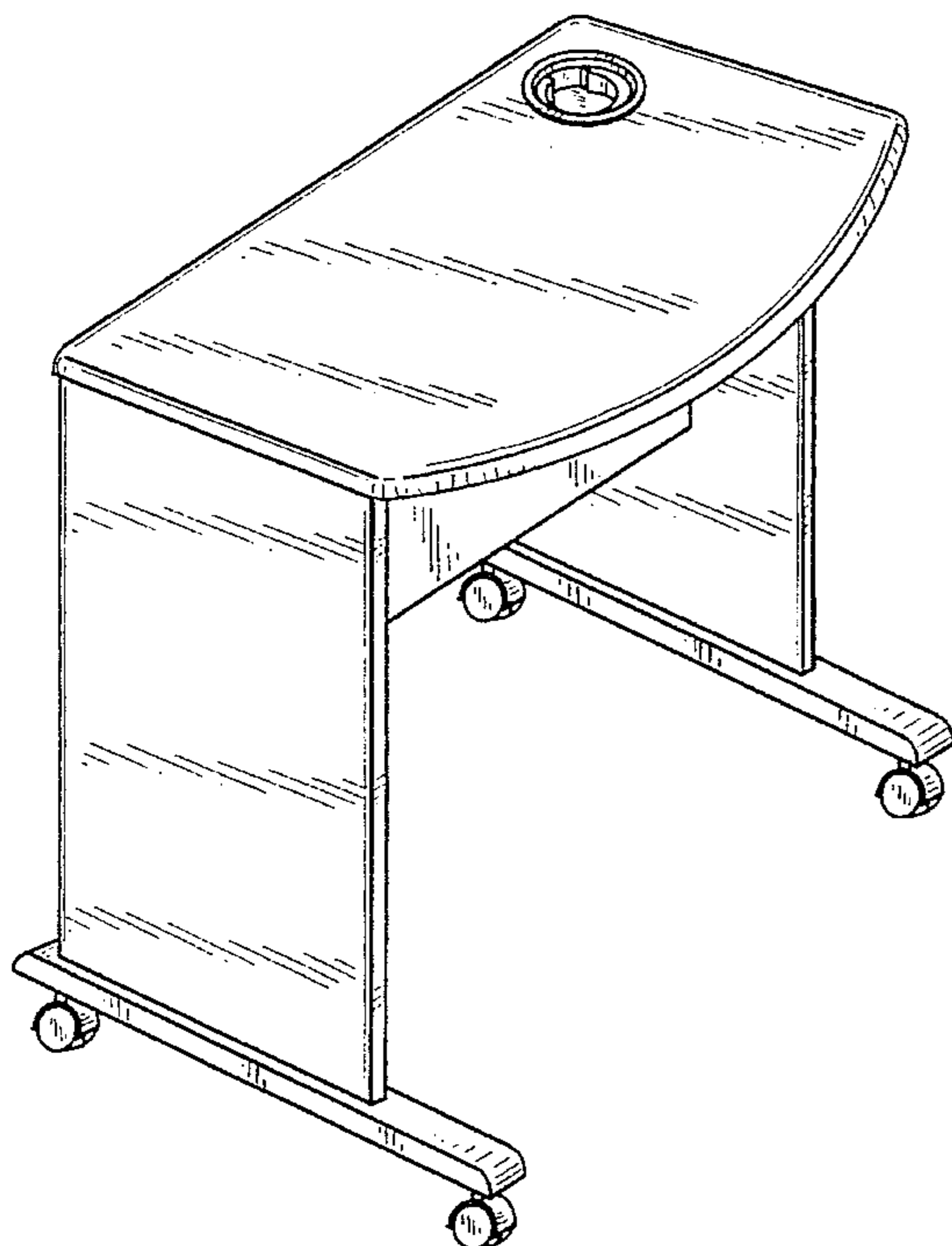
[57] **CLAIM**

The ornamental design for a laptop computer cart, as shown and described.

DESCRIPTION

FIG. 1 is a perspective view of a laptop computer cart showing our new design;
FIG. 2 is a front elevational view thereof;
FIG. 3 is a rear elevational view thereof;
FIG. 4 is a right side elevational view as seen when in use, the left side being a mirror image thereof;
FIG. 5 is a top plan view thereof;
FIG. 6 is a bottom plan view thereof;
FIG. 7 is a perspective view with the top in open position;
FIG. 8 is a right side elevational view as seen when in use, the left side being a mirror image thereof;
FIG. 9 is a top plan view thereof; and,
FIG. 10 is a bottom plan view thereof.
The front and rear views of the cart with the top in open position is identical to that shown in FIGS. 2 and 3, respectively.

1 Claim, 7 Drawing Sheets



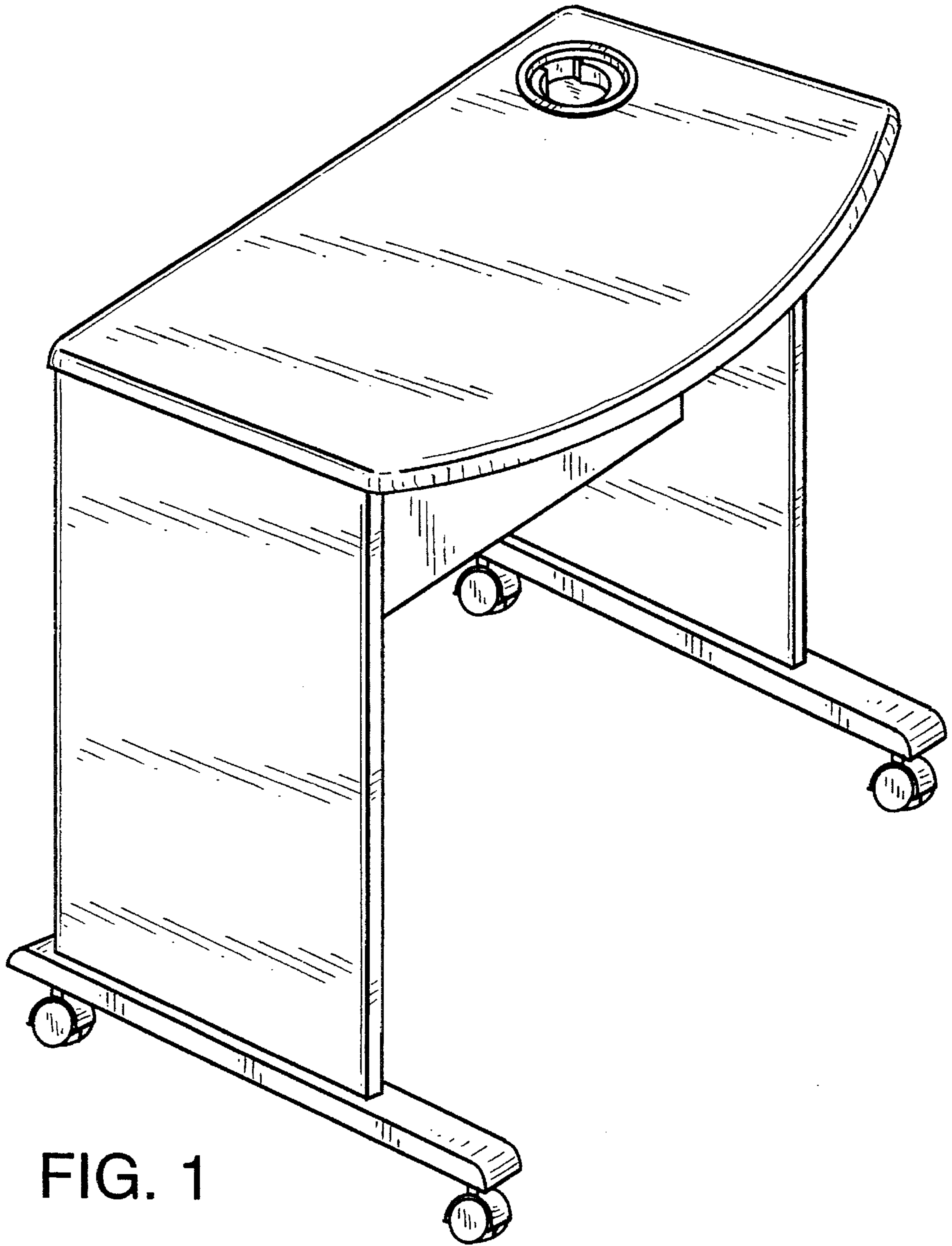


FIG. 1

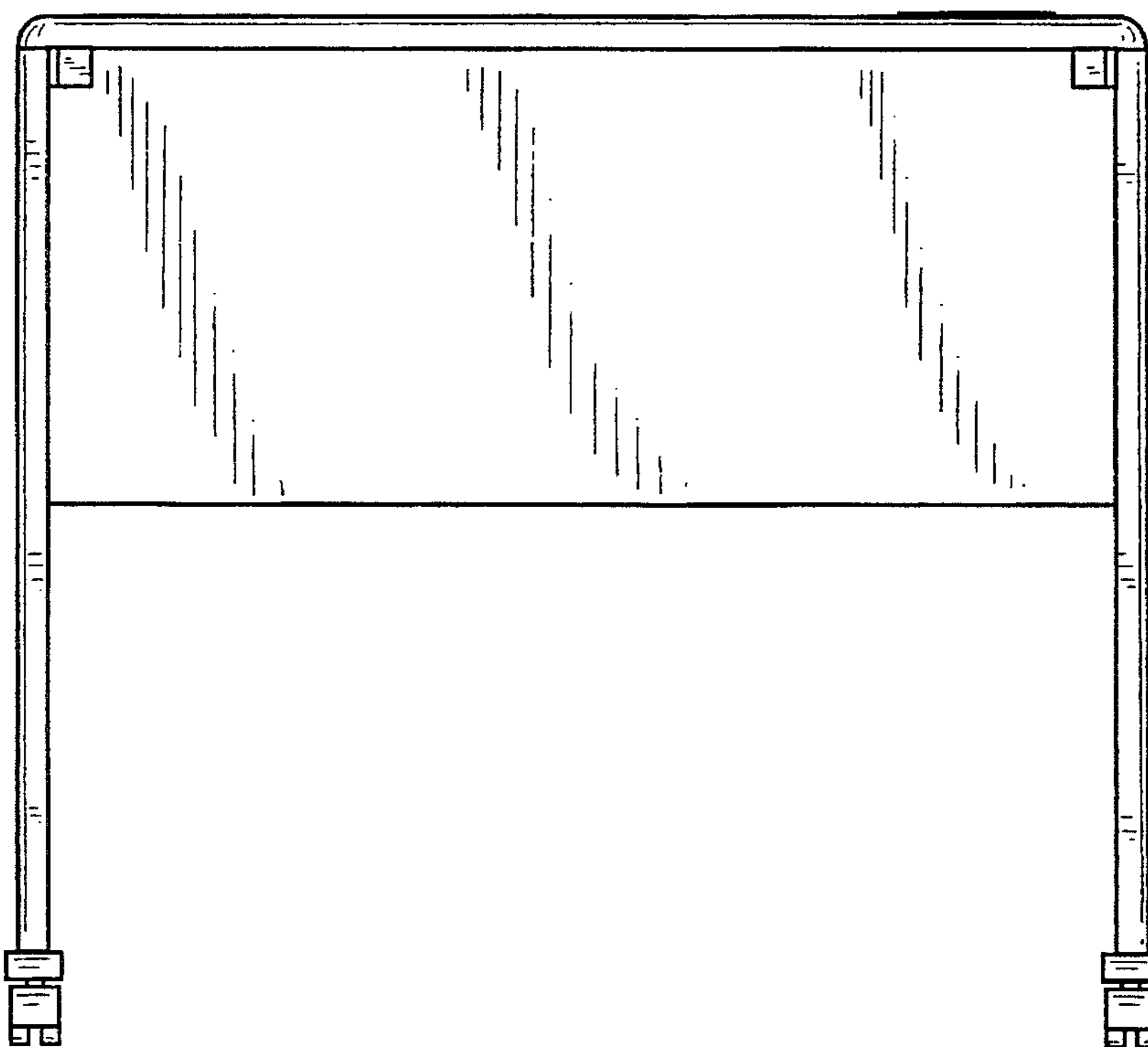


FIG. 2

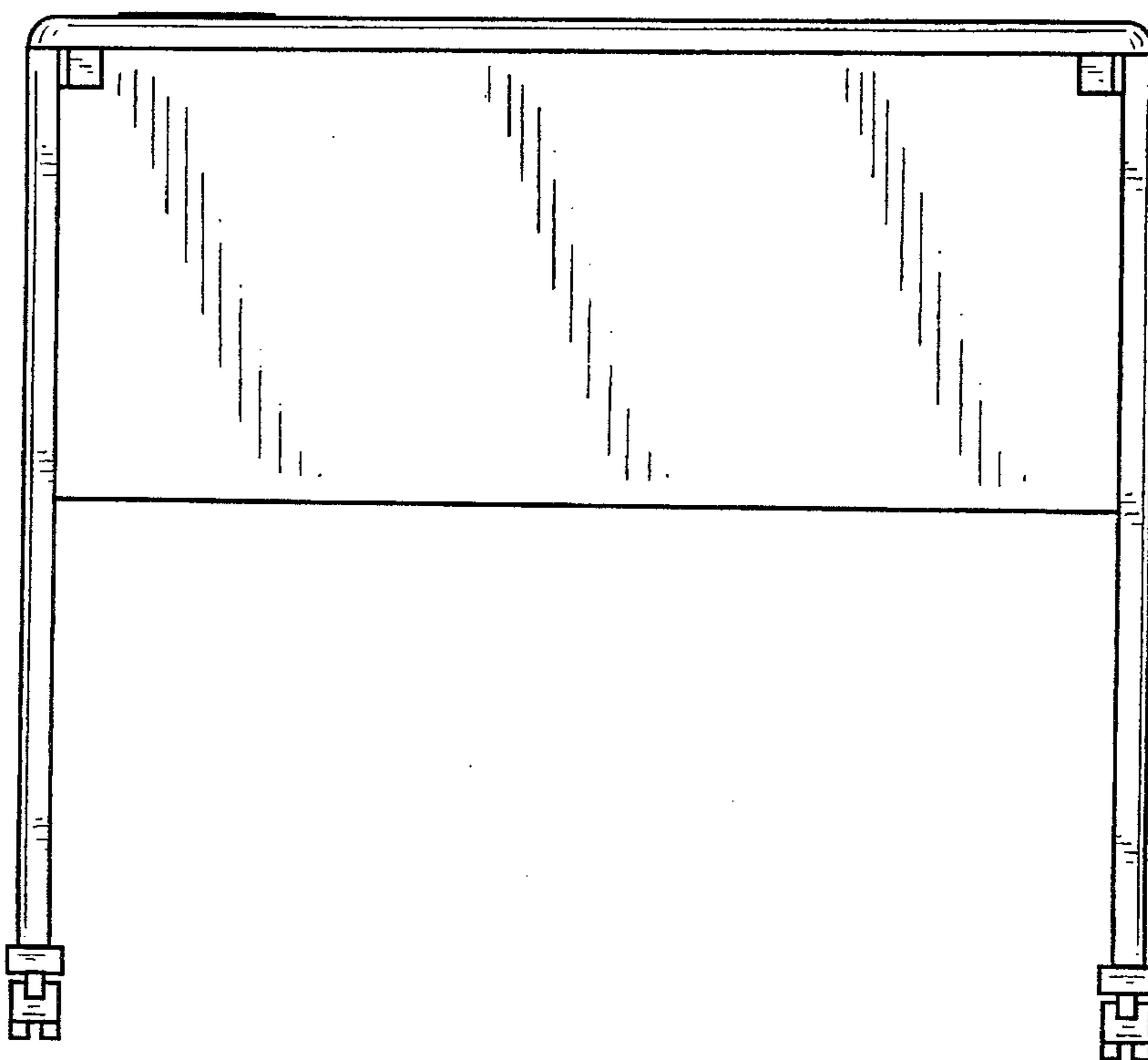


FIG. 3

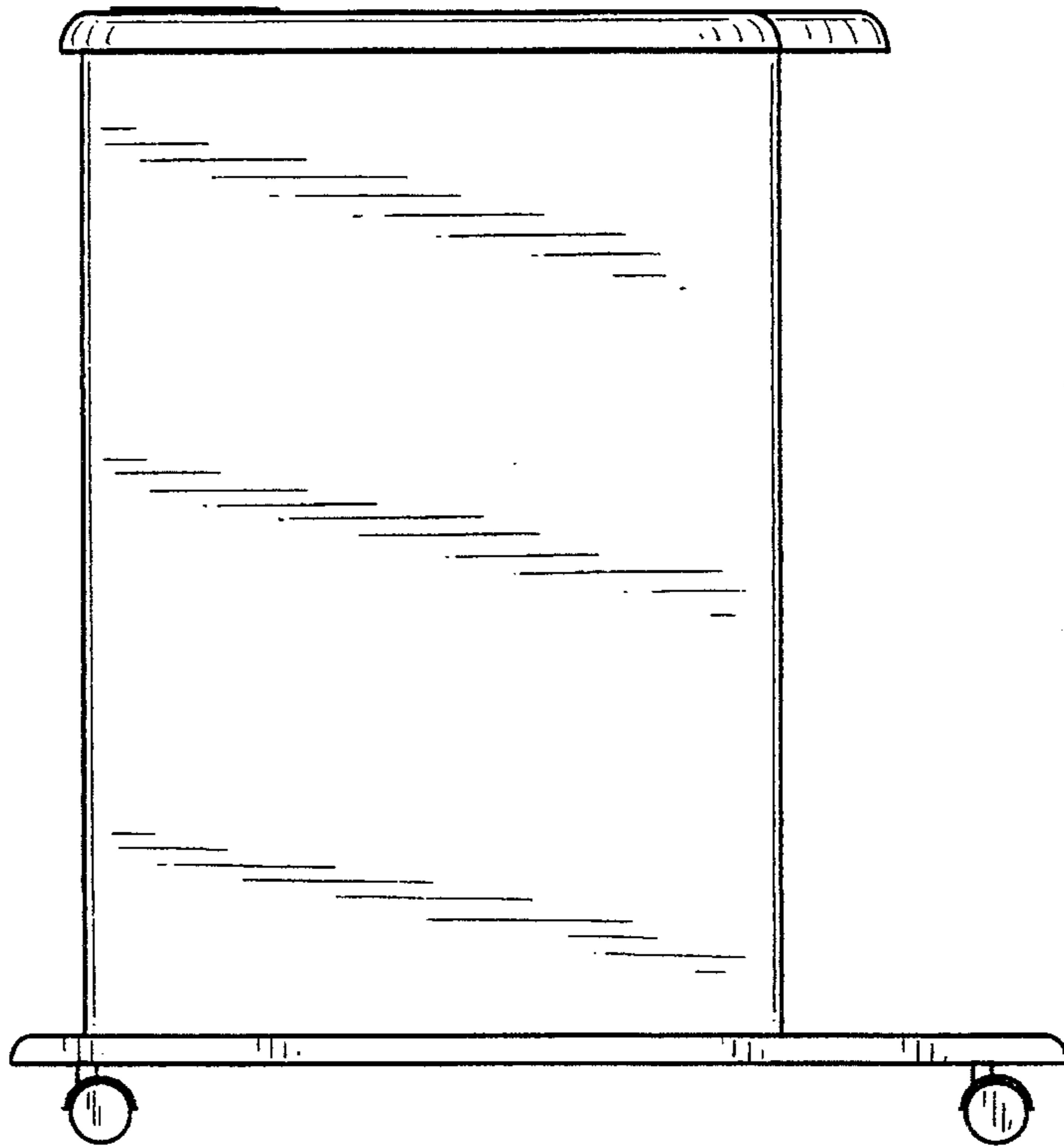


FIG. 4

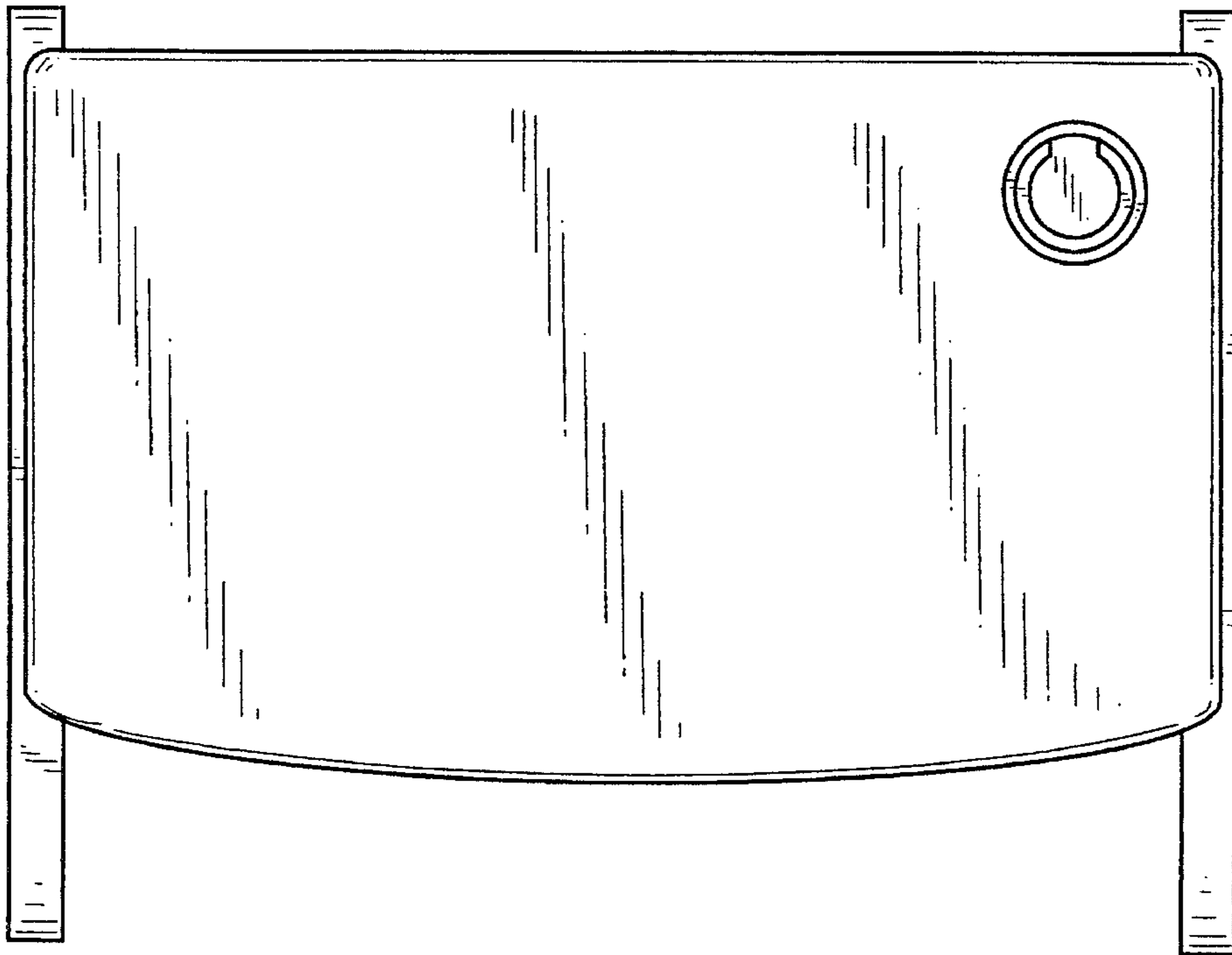


FIG. 5

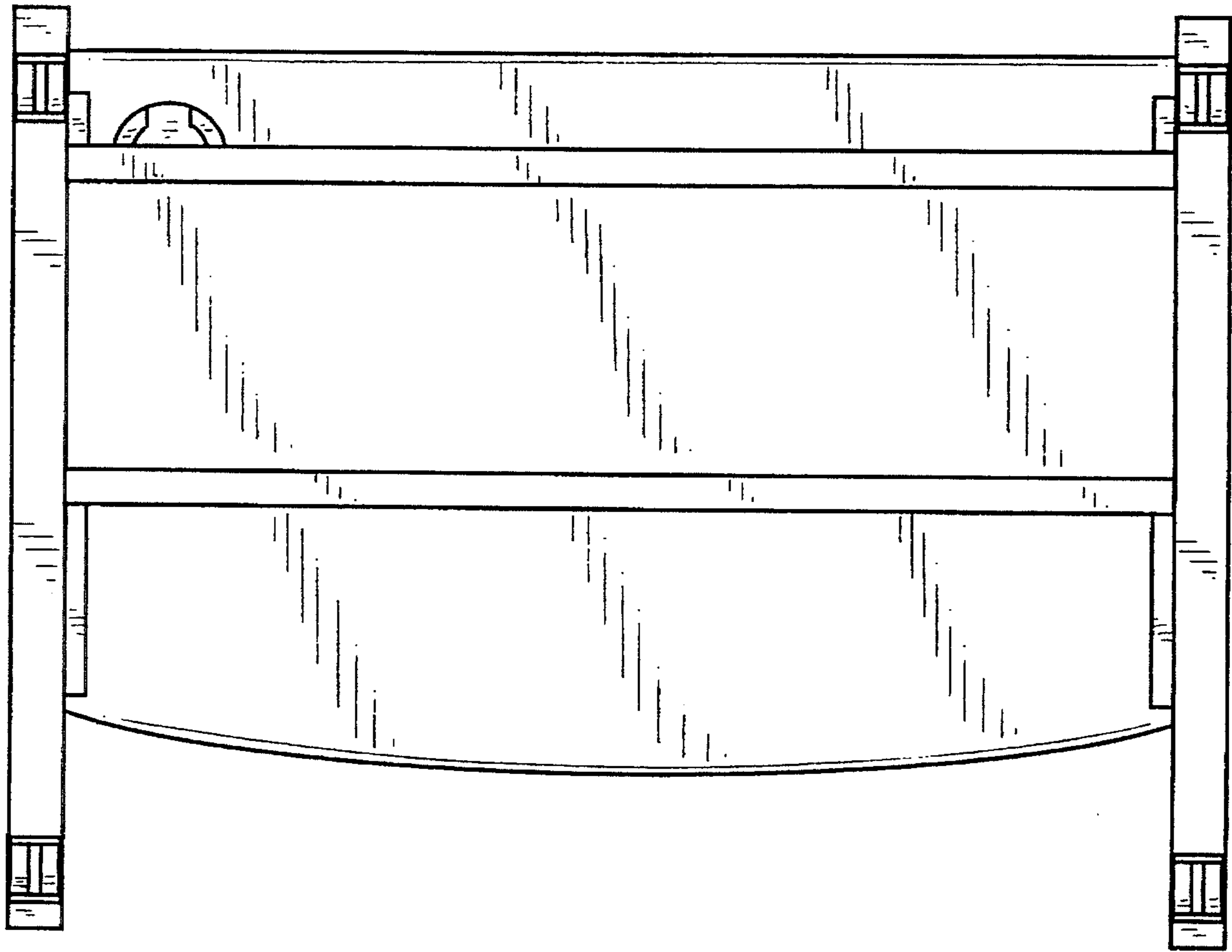


FIG. 6

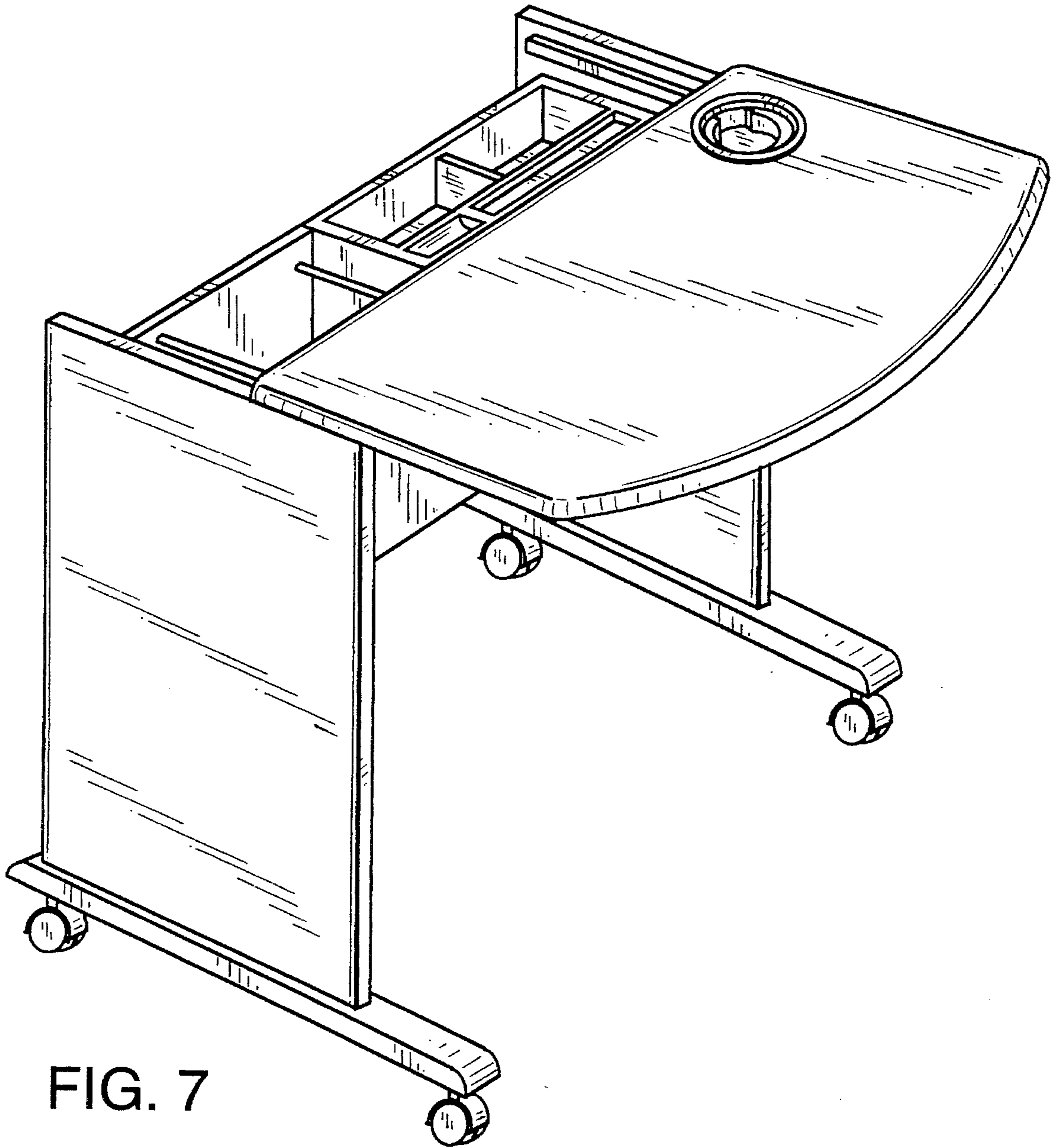


FIG. 7

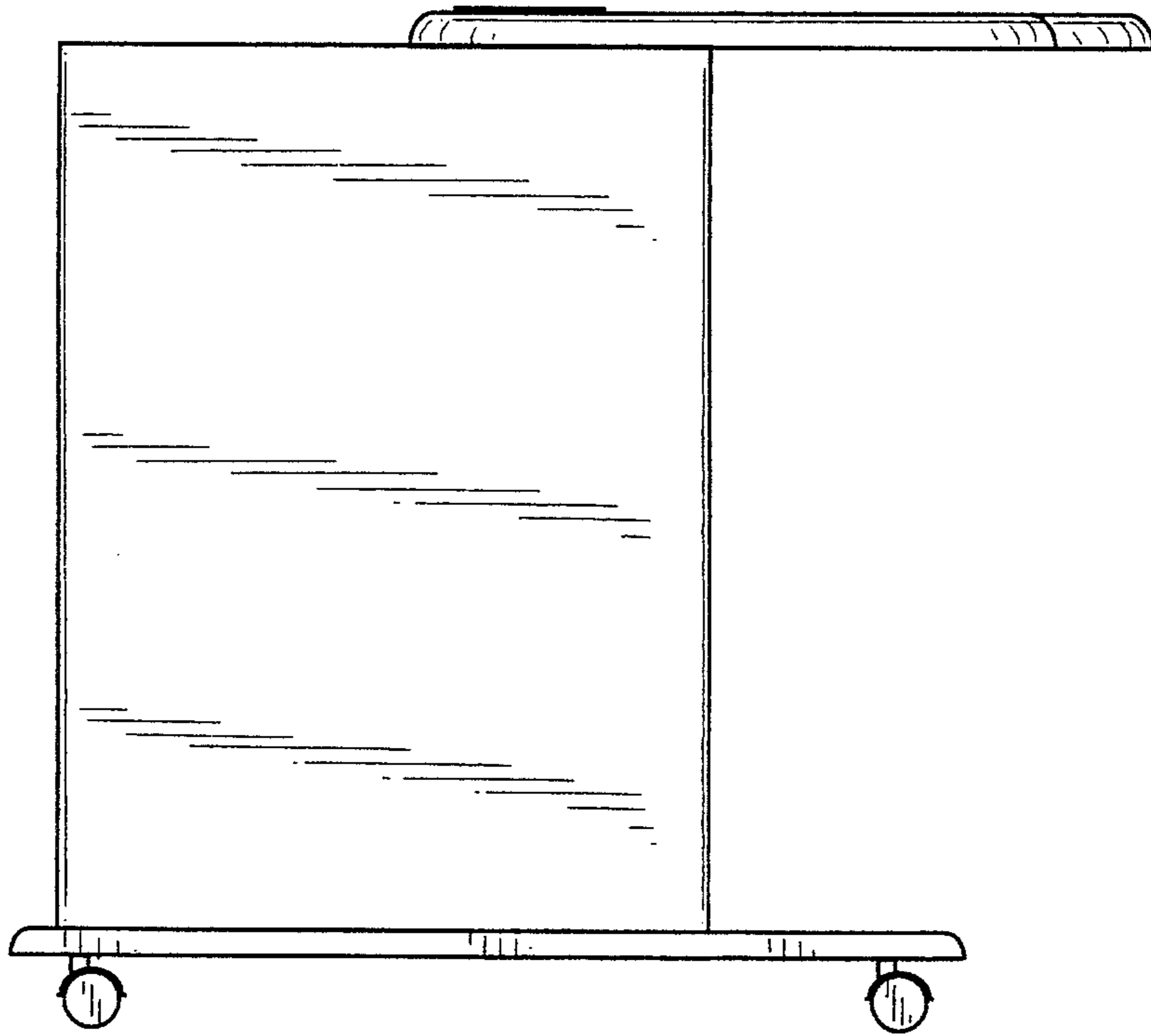


FIG. 8

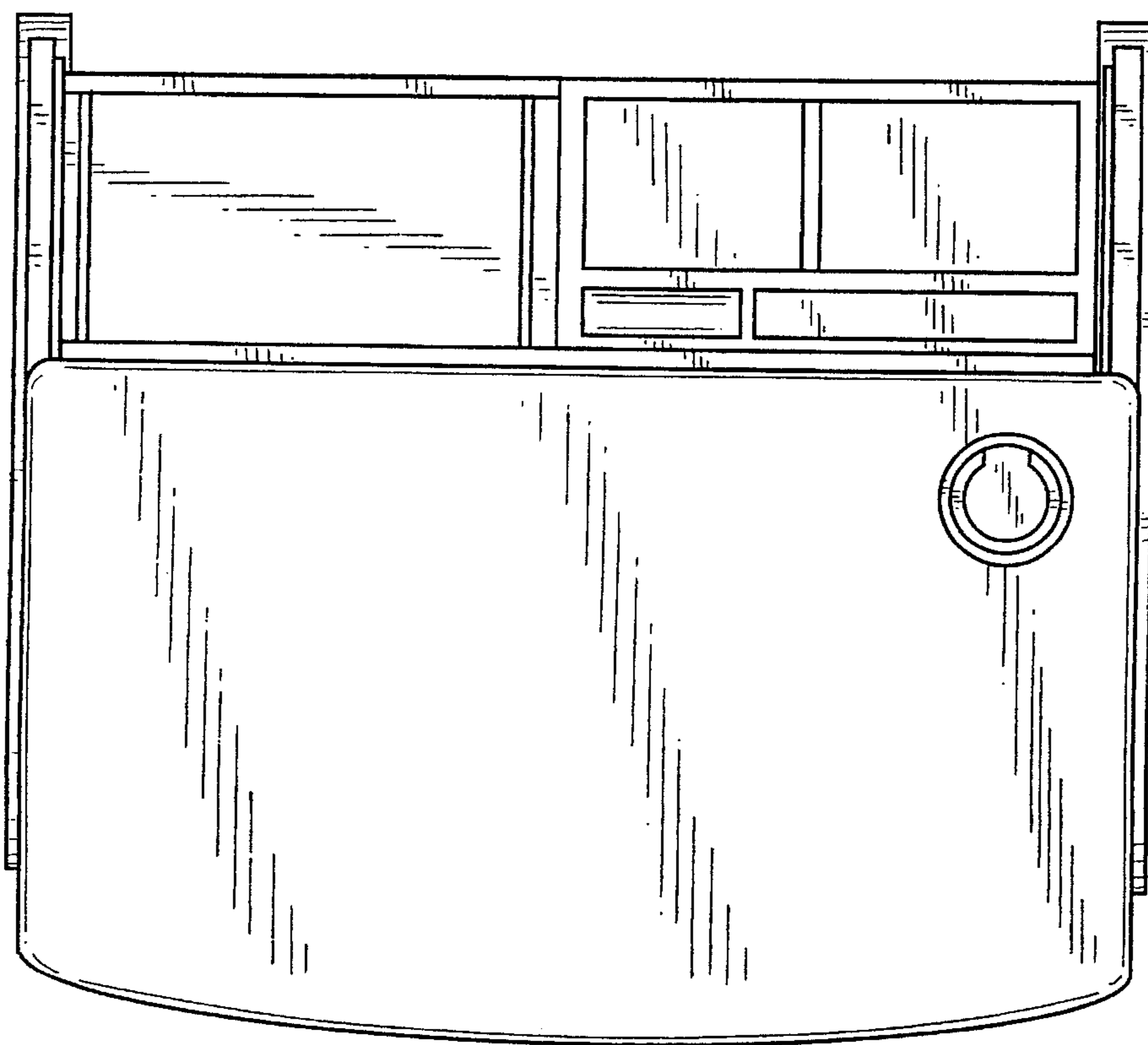


FIG. 9

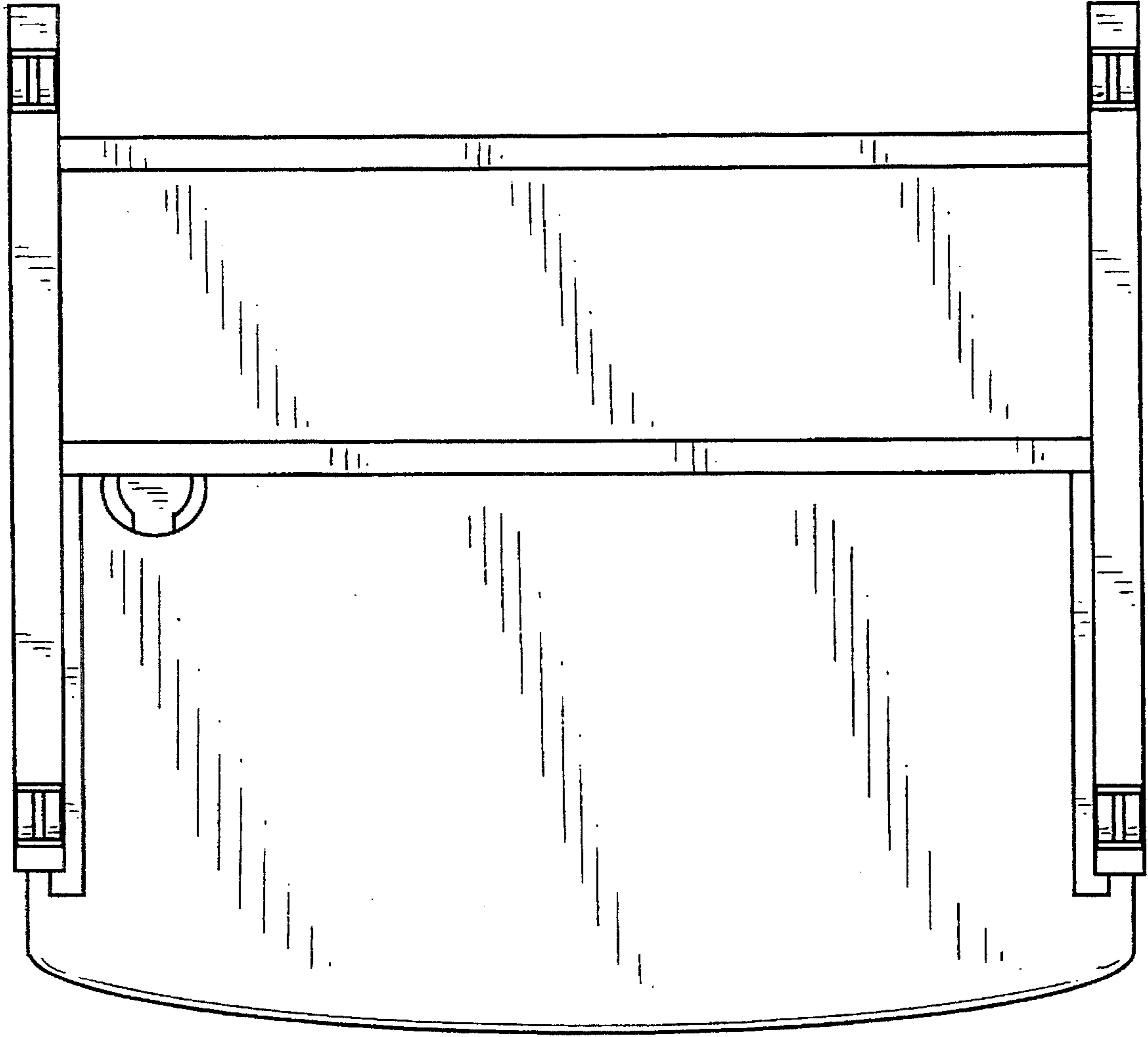


FIG. 10