



US00D377719S

# United States Patent [19]

[11] Patent Number: **Des. 377,719**

**Bloom**

[45] Date of Patent: **\*\*Feb. 4, 1997**

[54] **MULTIPLE DESK UNIT**

[75] Inventor: **Ira G. Bloom**, Dallas, Tex.

[73] Assignee: **ASR Affiliates, Inc.**, Sarasota, Fla.

[\*\*] Term: **14 Years**

[21] Appl. No.: **52,484**

[22] Filed: **Apr. 1, 1996**

[52] U.S. Cl. .... **D6/423; D6/397**

[58] Field of Search ..... **D6/421-428, 436; 312/194-196; 108/59, 60, 115, 162, 11; 434/432, 307 R; 52/36, 239**

[56] **References Cited**

**U.S. PATENT DOCUMENTS**

D. 172,098	5/1954	Knoll	.....	D6/421 X
D. 242,410	11/1976	Goulooge	.....	D6/423
D. 278,772	5/1985	Koguma	.....	D6/426
D. 305,706	1/1990	Mark	.....	D6/421
D. 362,761	10/1995	Hood	.....	D6/397

D. 366,165	1/1996	Holsinger et al.	.....	D6/421
D. 366,782	2/1996	Bonazza	.....	D6/427
3,233,346	2/1966	Cornberg	.....	434/432 X
3,727,328	4/1973	Valenzuela	.....	434/432
5,016,405	5/1991	Lee	.....	108/60 X

*Primary Examiner*—Carmen H. Vales-Lado  
*Attorney, Agent, or Firm*—Gregory M. Howison

[57] **CLAIM**

The ornamental design for a multiple desk unit, as shown and described.

**DESCRIPTION**

FIG. 1 is a left front perspective view of a multiple desk unit showing my new design;

FIG. 2 is a rear elevational view thereof;

FIG. 3 is a top plan view thereof;

FIG. 4 is a bottom plan view thereof; and,

FIG. 5 is a side elevational view thereof.

**1 Claim, 3 Drawing Sheets**

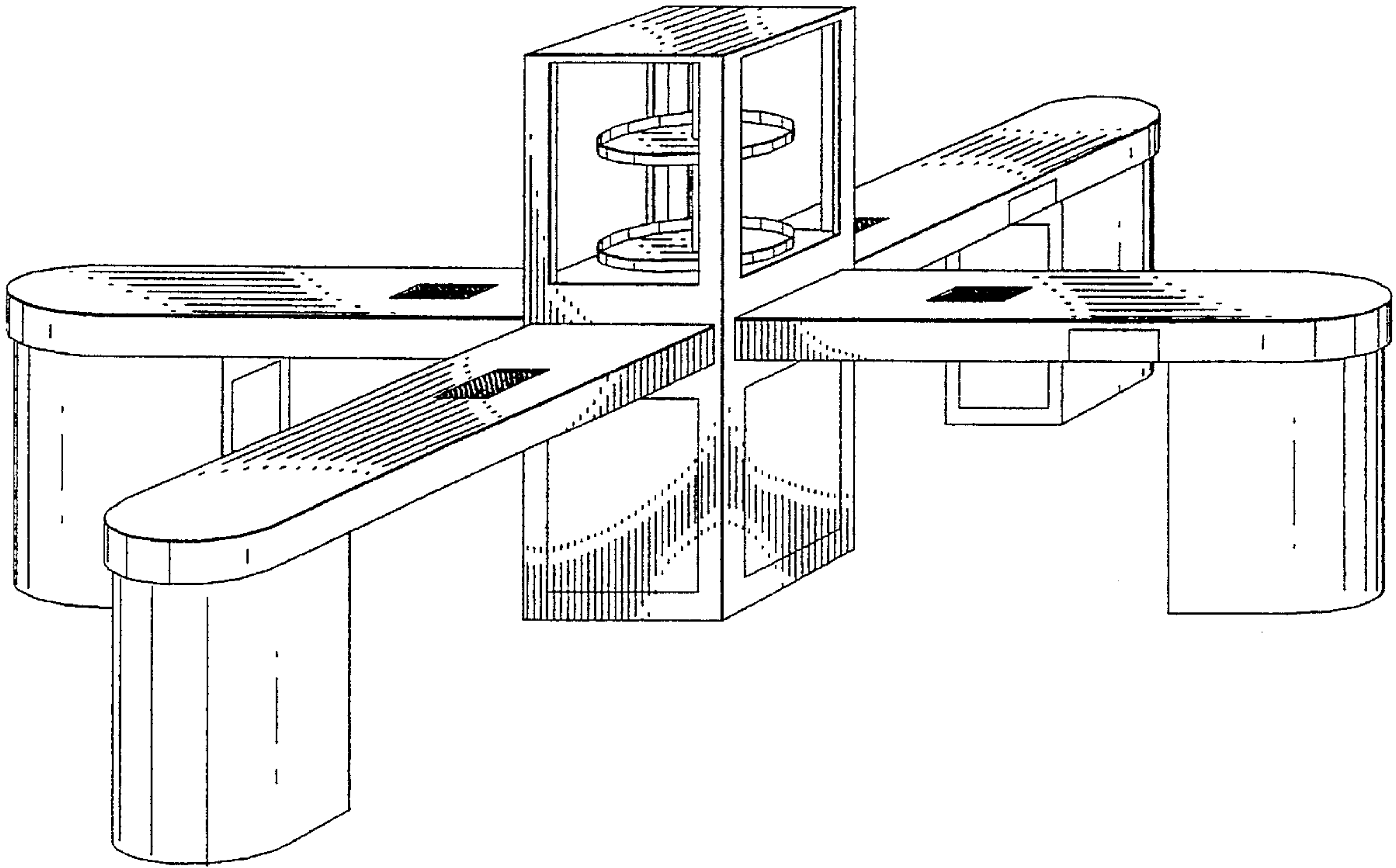


FIG. 1

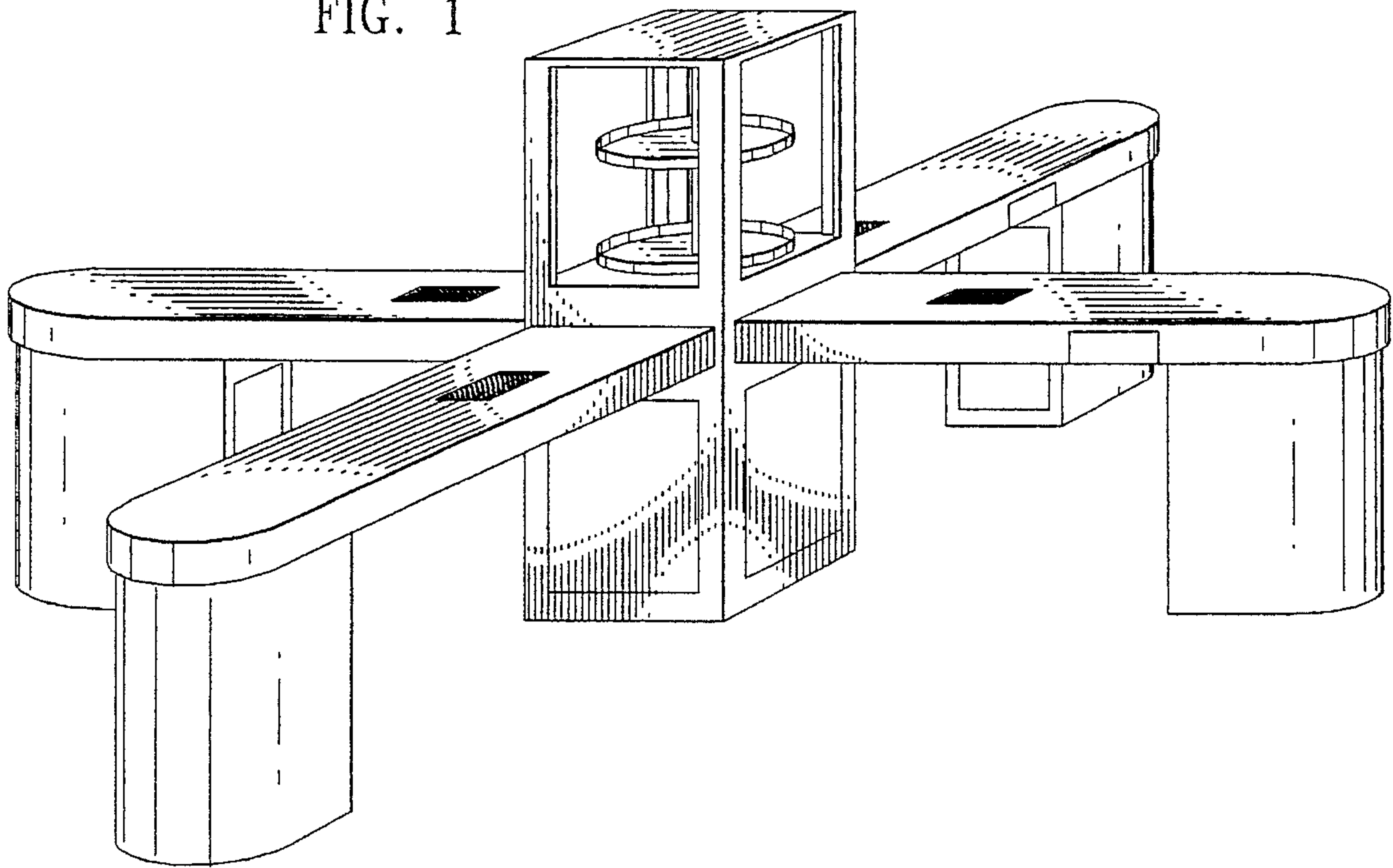


FIG. 2

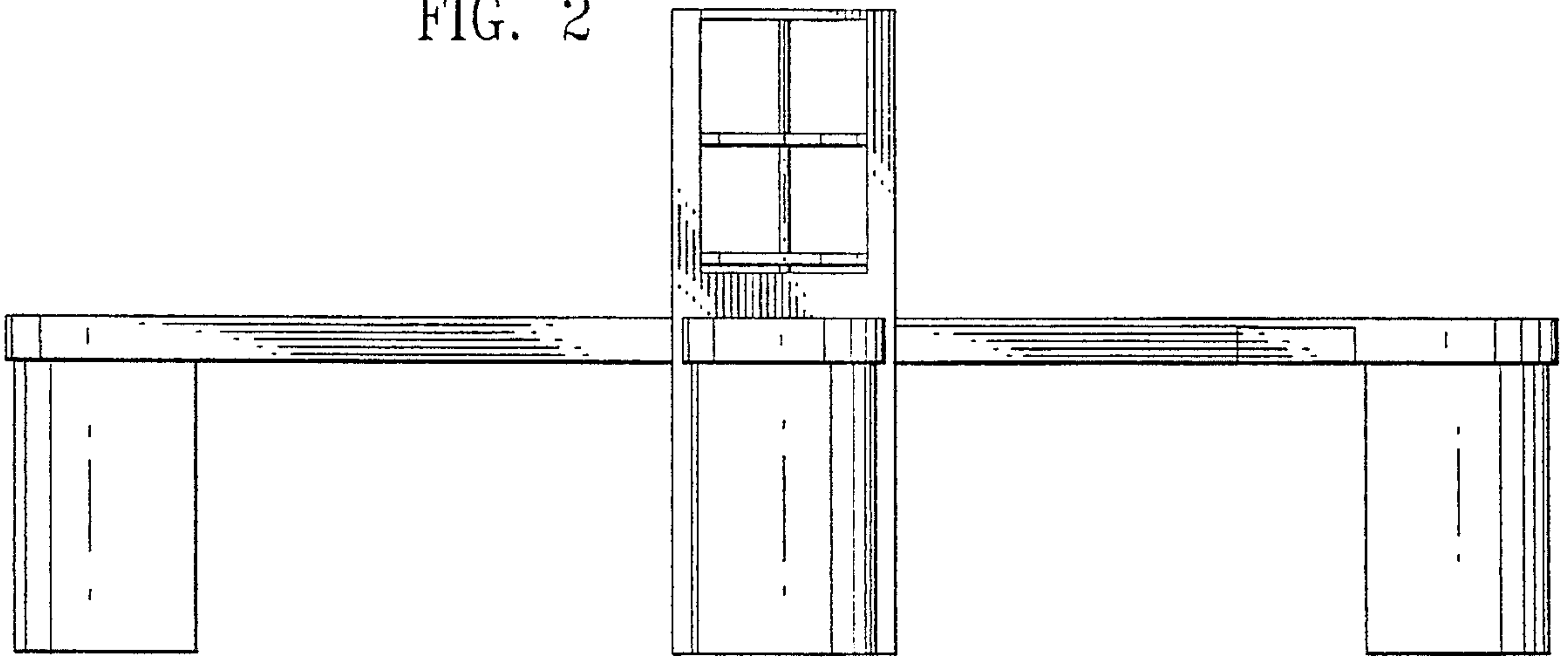


FIG. 3

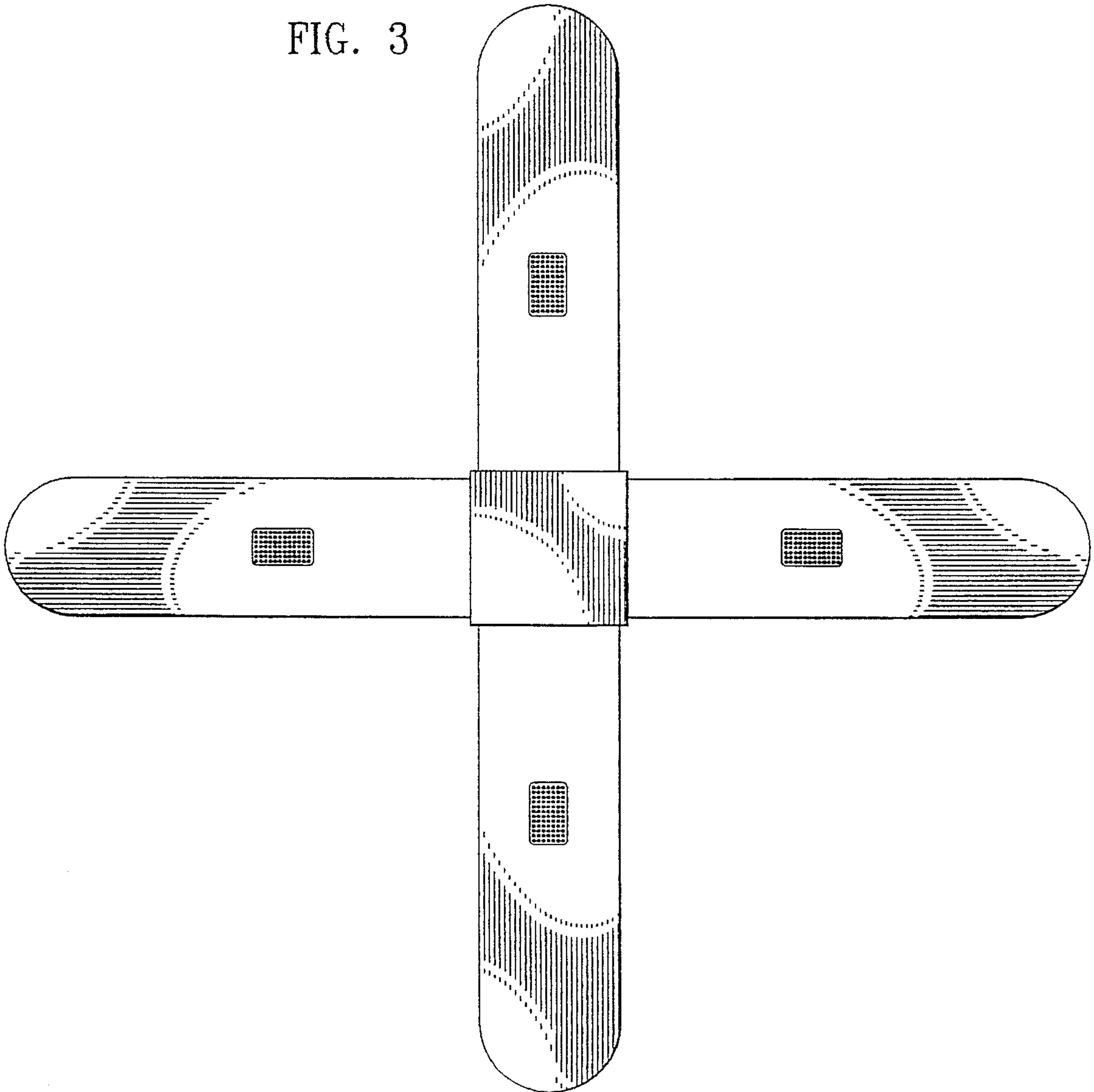


FIG. 4

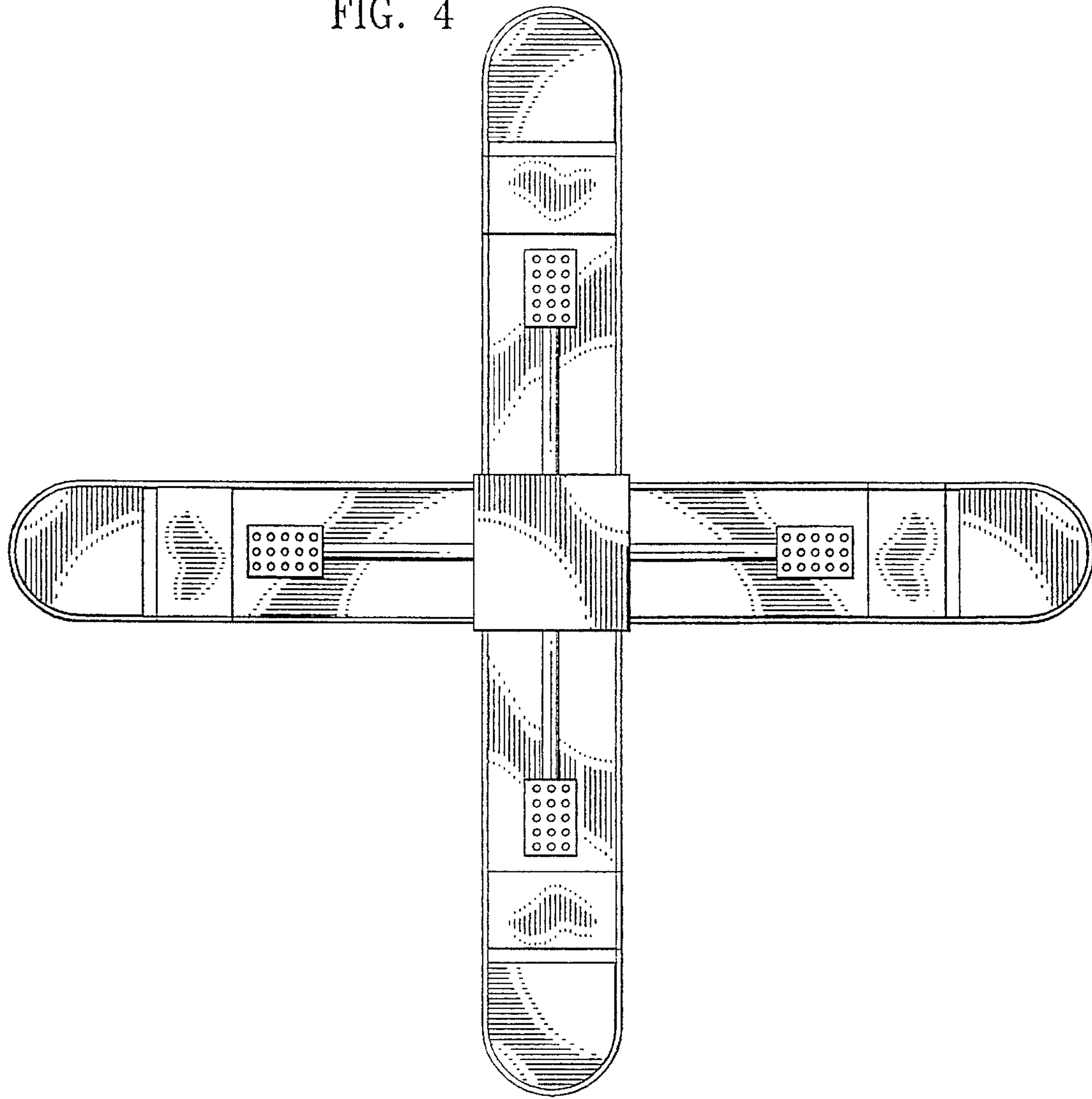


FIG. 5

