



US00D377718S

# United States Patent [19]

Abdi

[11] **Patent Number:** **Des. 377,718**

[45] **Date of Patent:** **\*\*Feb. 4, 1997**

[54] **CLOTHES HANGER STRAP**

[75] Inventor: **Roksana Abdi**, Corona, Calif.

[73] Assignee: **Precise Plastic Products, Inc.**, Garden Grove, Calif.

[\*\*] Term: **14 Years**

3,197,830 8/1965 Hoadley ..... 24/16 PB  
 3,554,417 1/1971 Yorty ..... 294/150  
 4,631,783 12/1986 Hayashi ..... 24/16 PB  
 4,924,557 5/1990 Heckerman ..... 24/16 PB  
 5,096,248 3/1992 Ryan ..... 294/150

*Primary Examiner*—B. J. Bullock  
*Attorney, Agent, or Firm*—Stetina Brunda & Buyan

[21] Appl. No.: **48,547**

[22] Filed: **Jan. 3, 1996**

[52] U.S. Cl. .... **D6/328; D8/394; D8/396**

[58] Field of Search ..... D6/328; D3/201,  
 D3/315; 223/98, DIG. 4; 294/137, 149,  
 150, 165; 24/16 PB; D8/394, 396

### [57] CLAIM

The ornamental design for a clothes hanger strap, as shown and described.

### DESCRIPTION

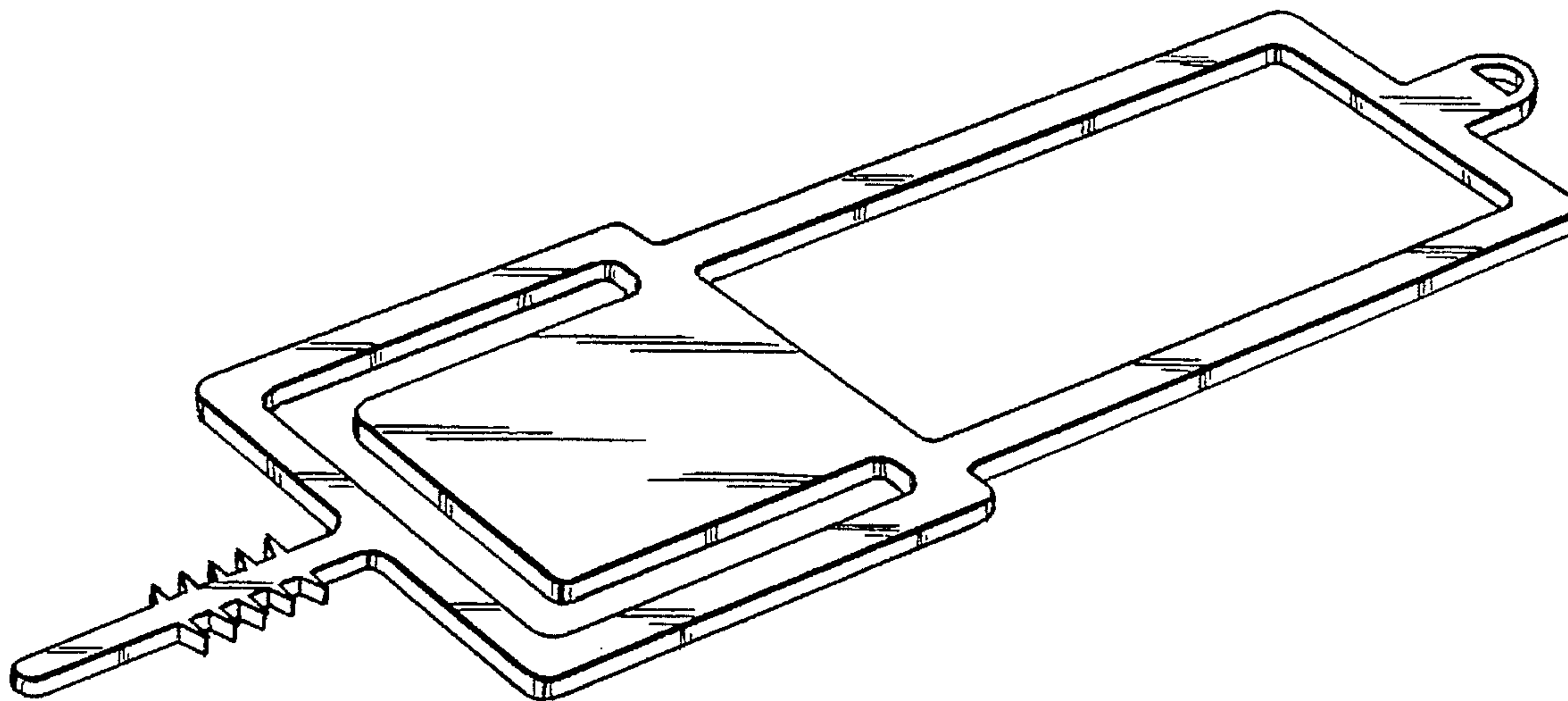
FIG. 1 is a top perspective view of the clothes hanger strap of the present invention showing my new design;  
 FIG. 2 is a top plan view thereof, the bottom being a mirror image; and,  
 FIG. 3 is a side elevational view thereof.

[56] **References Cited**

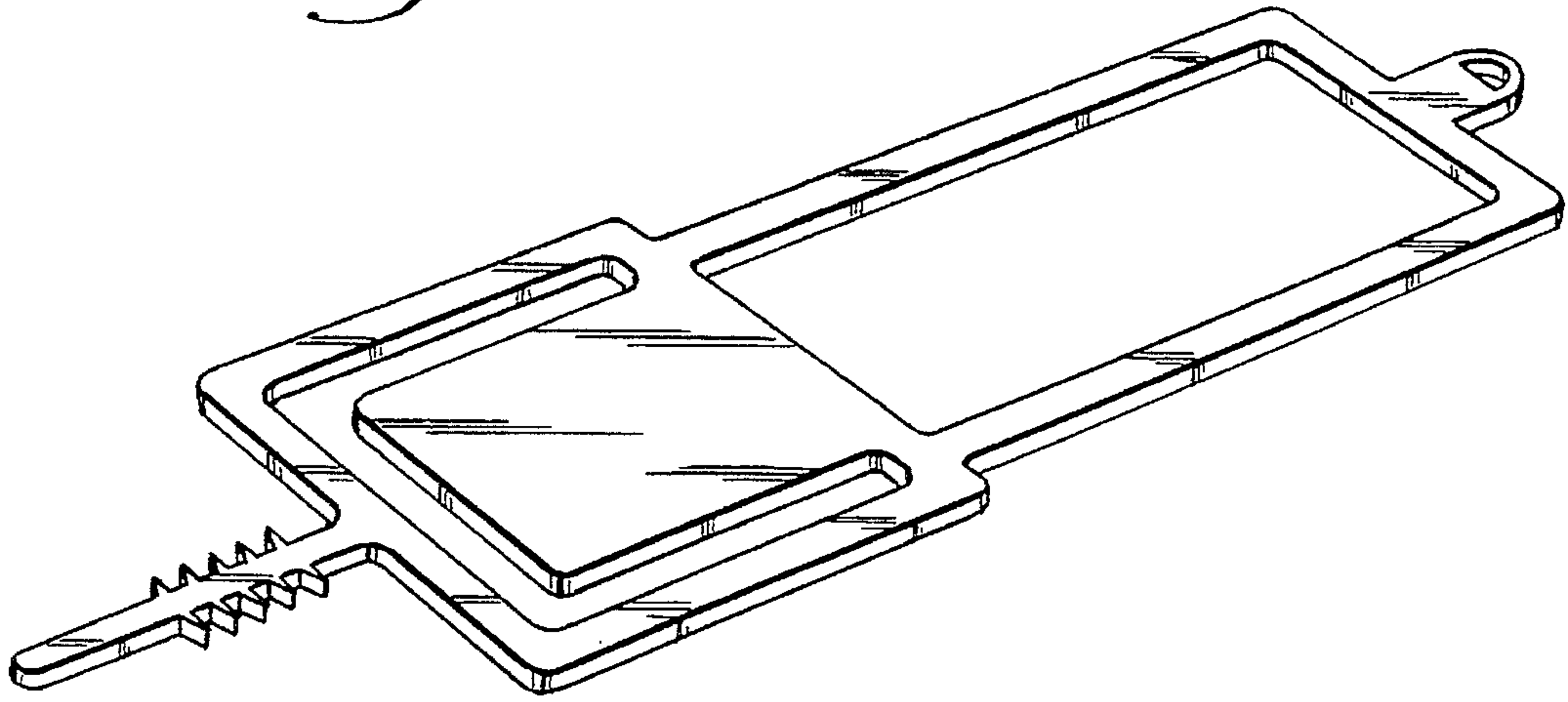
U.S. PATENT DOCUMENTS

D. 265,175 6/1982 Lloyd ..... D8/394

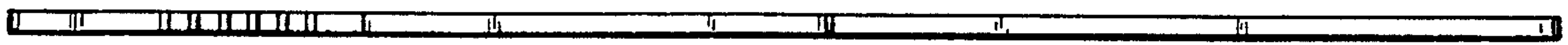
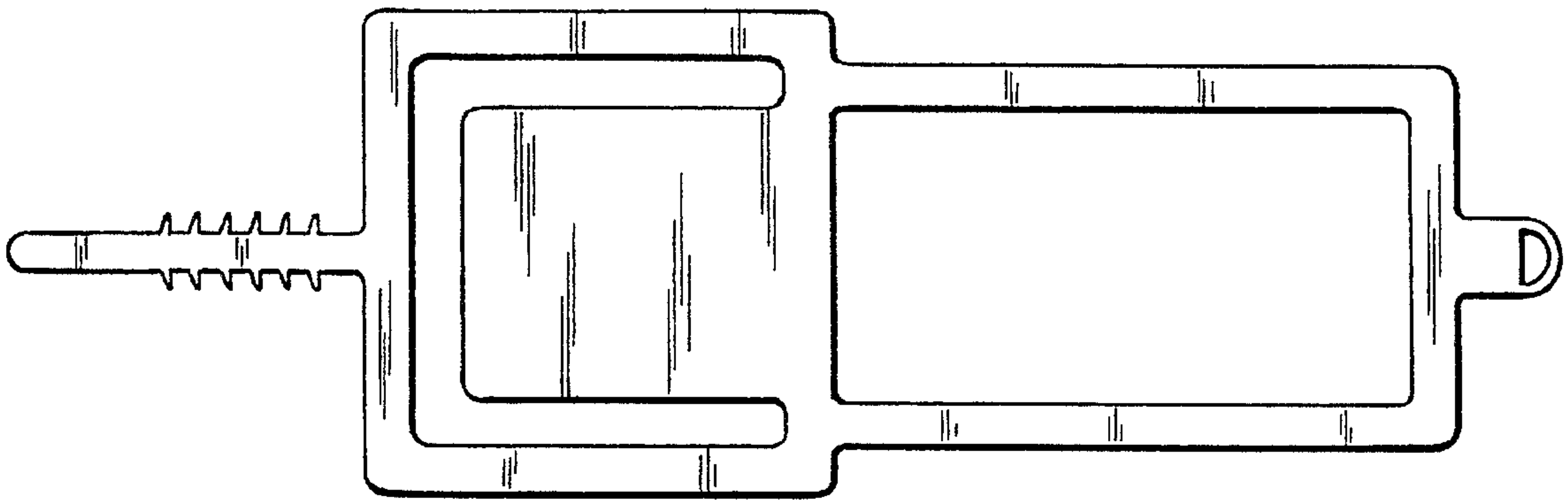
1 Claim, 1 Drawing Sheet



*Fig. 1*



*Fig. 2*



*Fig. 3*