



US00D377716S

United States Patent [19]

Karon

[11] **Patent Number: Des. 377,716**

[45] **Date of Patent: **Feb. 4, 1997**

[54] **JEWELRY BUFFER AND POLISHER HEAD AND HANDLE UNIT**

[75] Inventor: **Douglas M. Karon**, Plymouth, Minn.

[73] Assignee: **Jewelers Laboratories, Inc.**, Golden Valley, Minn.

[**] Term: **14 Years**

[21] Appl. No.: **39,298**

[22] Filed: **May 22, 1995**

[52] U.S. Cl. **D4/138; D4/102**

[58] **Field of Search** D4/100, 102; D8/62; D24/113, 146; 15/23, 25-27, 28, 230; 433/99, 114, 125; 451/523, 524, 526, 557, 913, 921; 601/136-139, 142

[56] **References Cited**

U.S. PATENT DOCUMENTS

D. 250,662	12/1978	Rieselmann	D24/146
2,051,270	8/1936	Palla	15/28
3,466,687	9/1969	Pasculli	15/23 X
4,062,082	12/1977	Azzopardi	15/28

Primary Examiner—A. Hugo Word
Assistant Examiner—Lavone D. Tabor
Attorney, Agent, or Firm—Kinney & Lange, P.A.

[57] **CLAIM**

The ornamental design for a jewelry buffer and polisher head and handle unit, as shown and described.

DESCRIPTION

FIG. 1 is a perspective view as seen from a front, side, and top of the jewelry buffer and polisher head and handle unit according to my new design;

FIG. 2 is a side elevational view thereof;

FIG. 3 is a side elevational view thereof taken from a side opposite that of FIG. 2;

FIG. 4 is a front elevational view thereof;

FIG. 5 is a rear elevational view thereof;

FIG. 6 is a top plan view thereof;

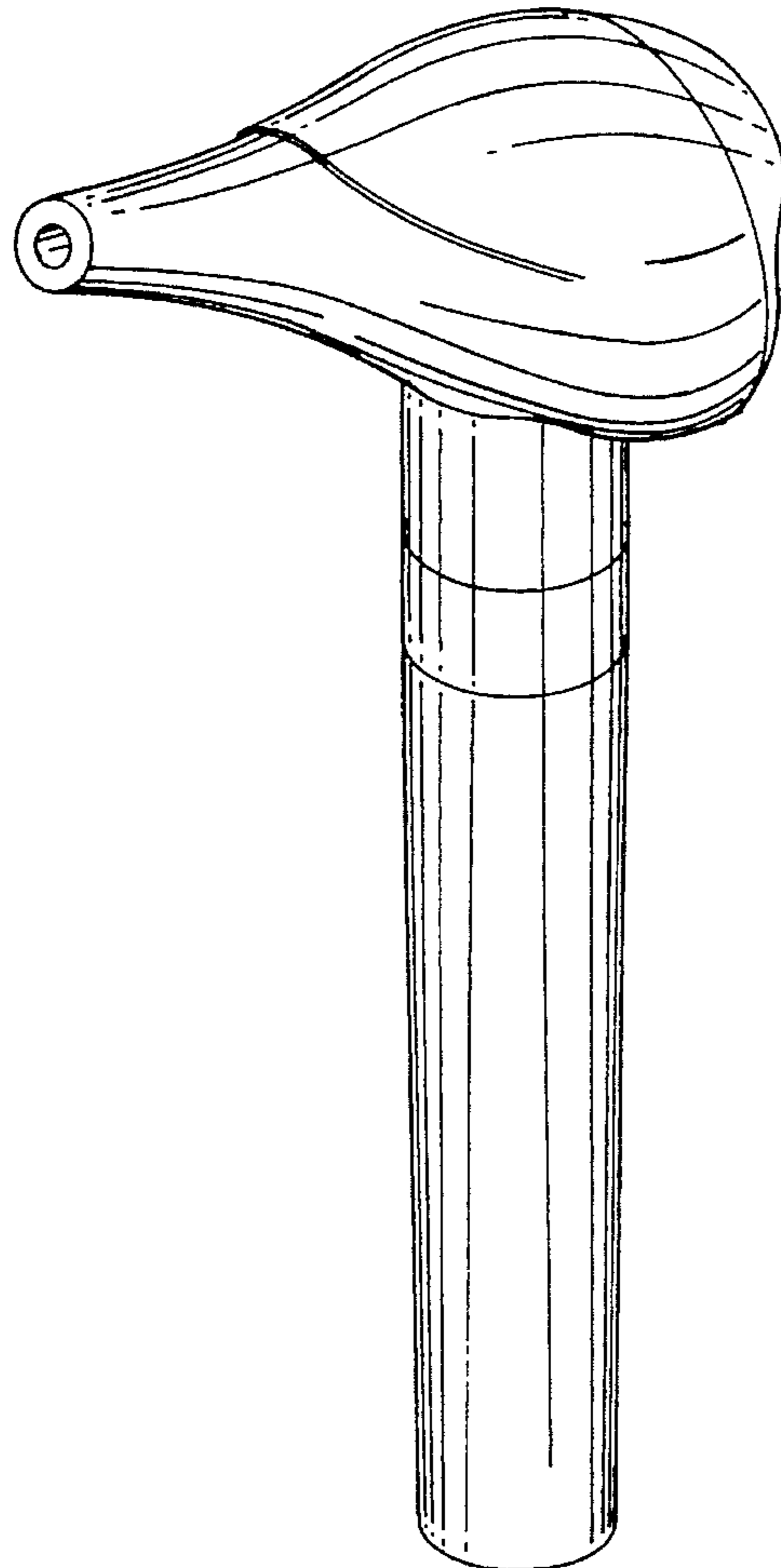
FIG. 7 is a bottom plan view thereof;

FIG. 8 is a perspective view of the jewelry buffer and polisher head and handle unit as in FIG. 1 with a circular polishing tip shown in phantom lines; and,

FIG. 9 is a perspective view of the jewelry buffer and polisher head and handle unit as in FIG. 1 with a pointed polishing tip shown in phantom lines.

The broken lines showing a circular polishing tip and a pointed polishing tip are for illustrative purposes only and form no part of the claimed design.

1 Claim, 4 Drawing Sheets



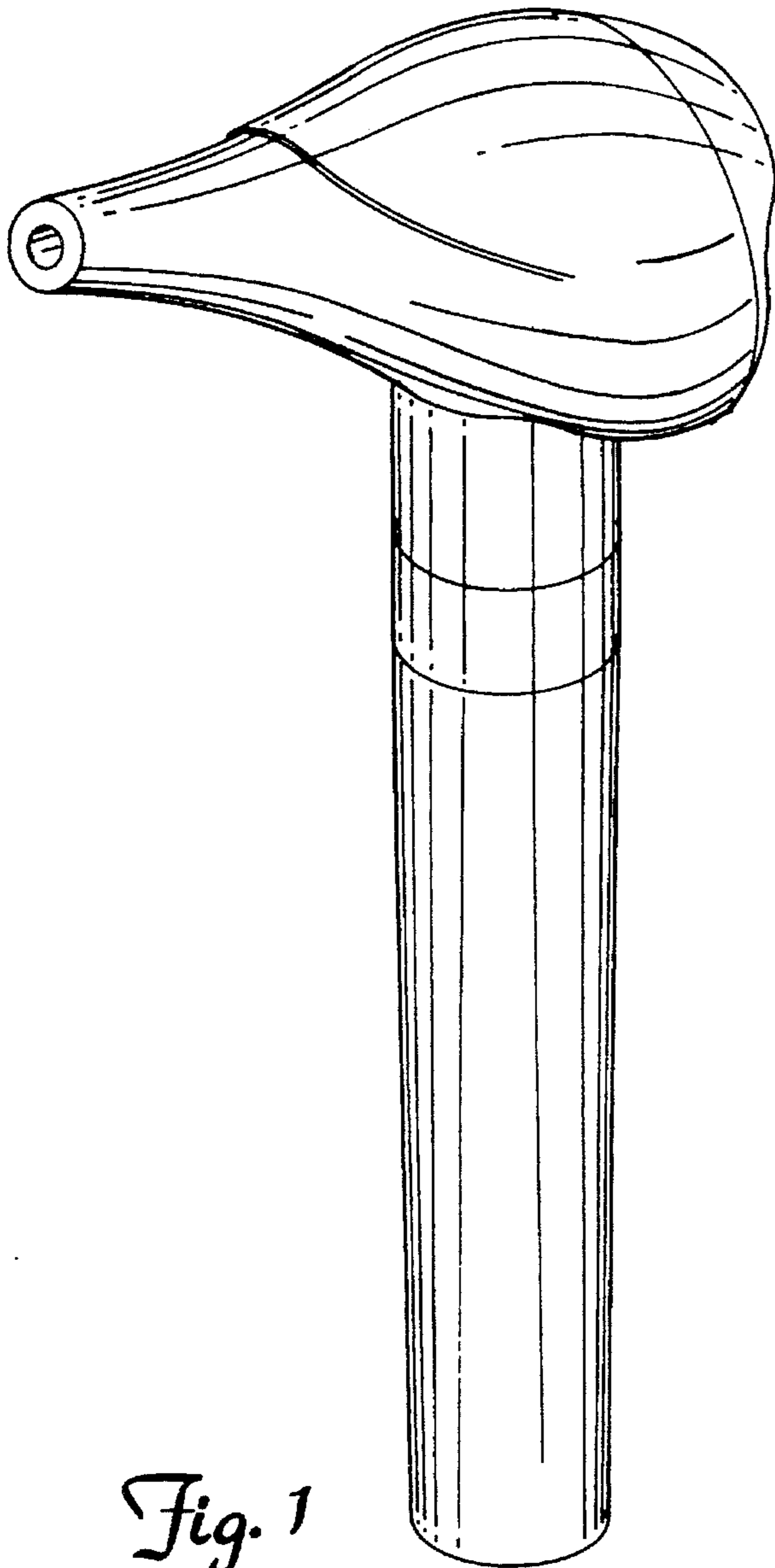


Fig. 1

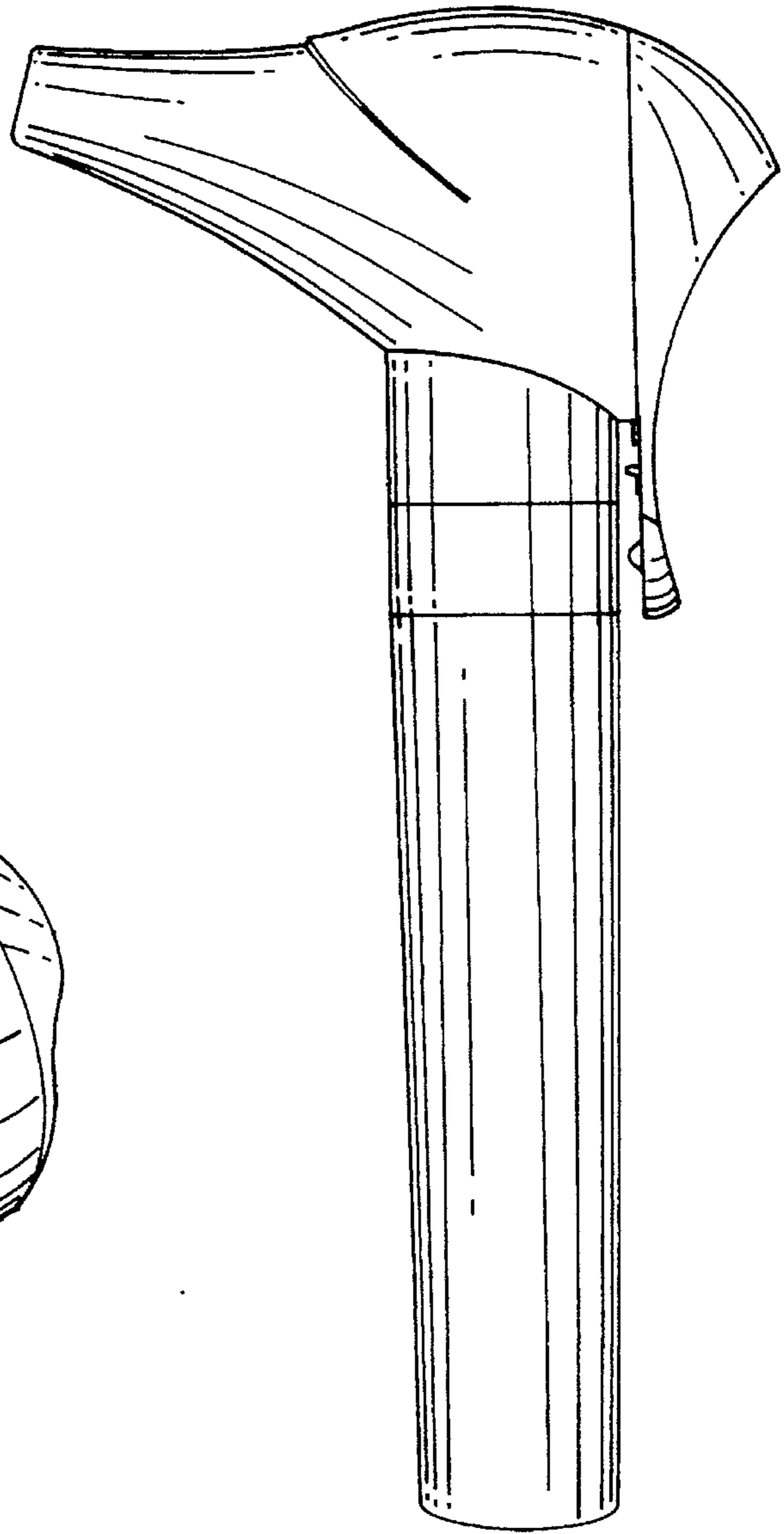


Fig. 2

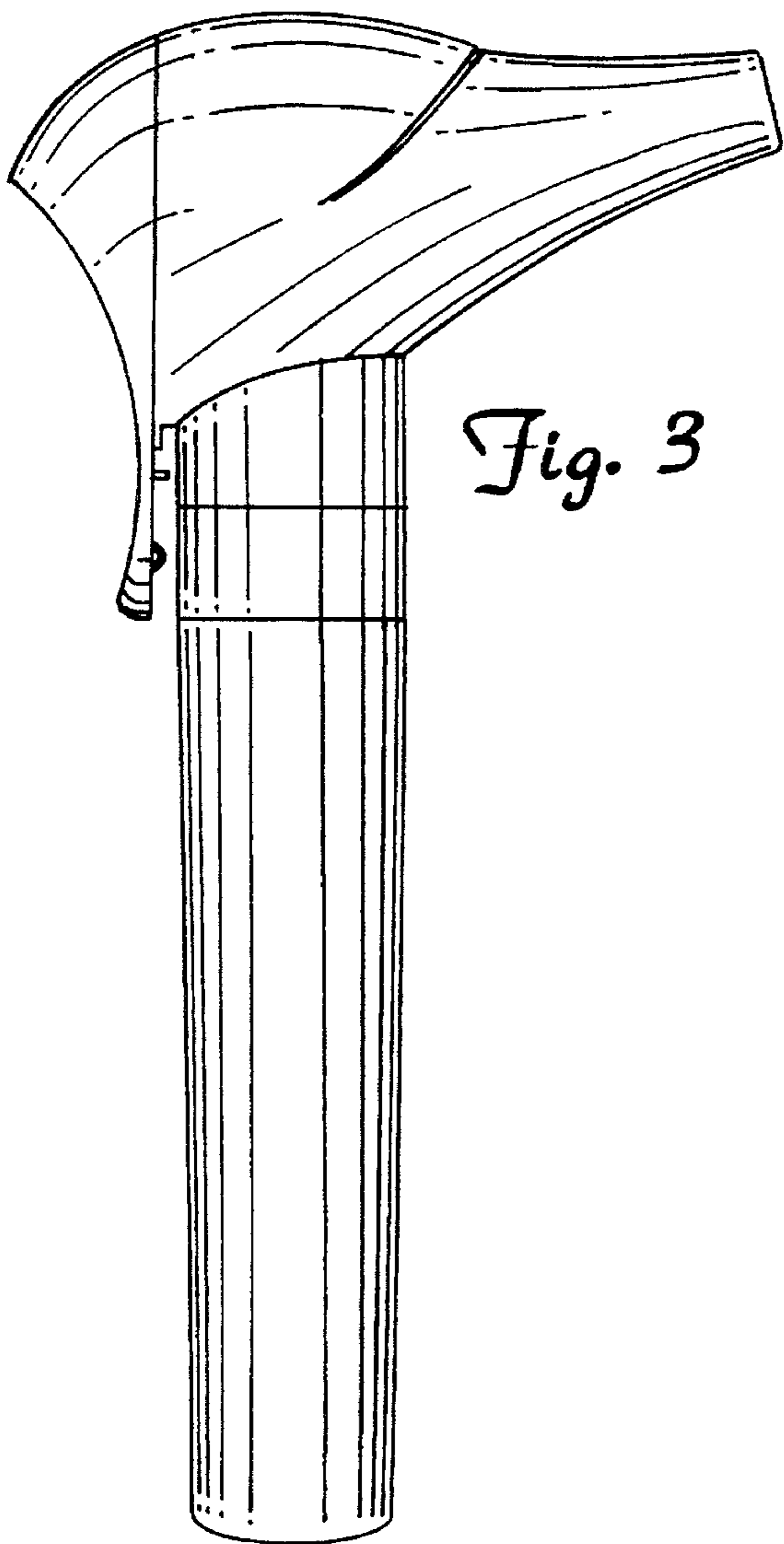


Fig. 3

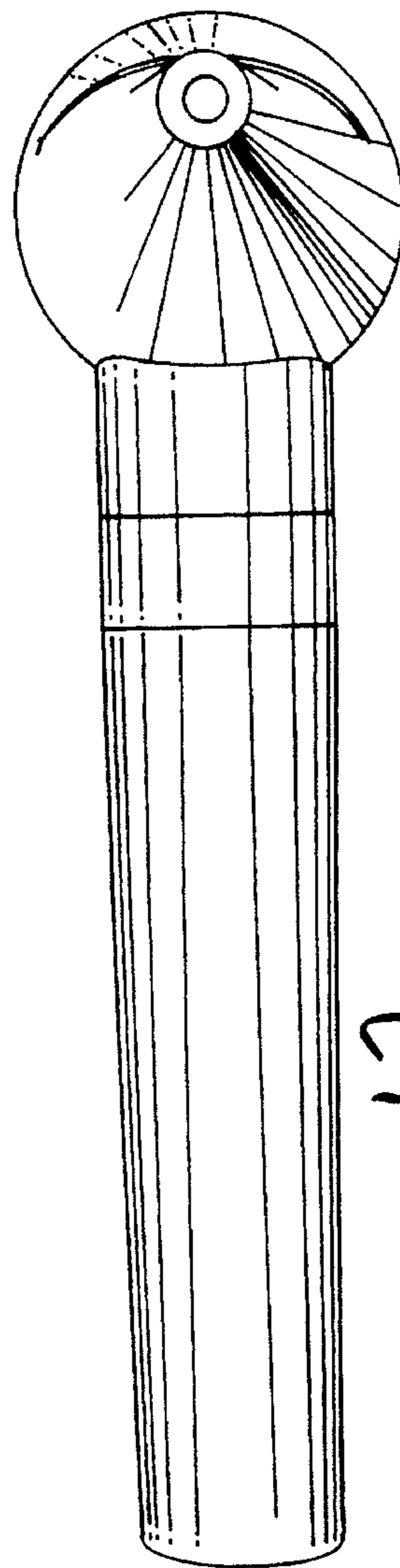


Fig. 4

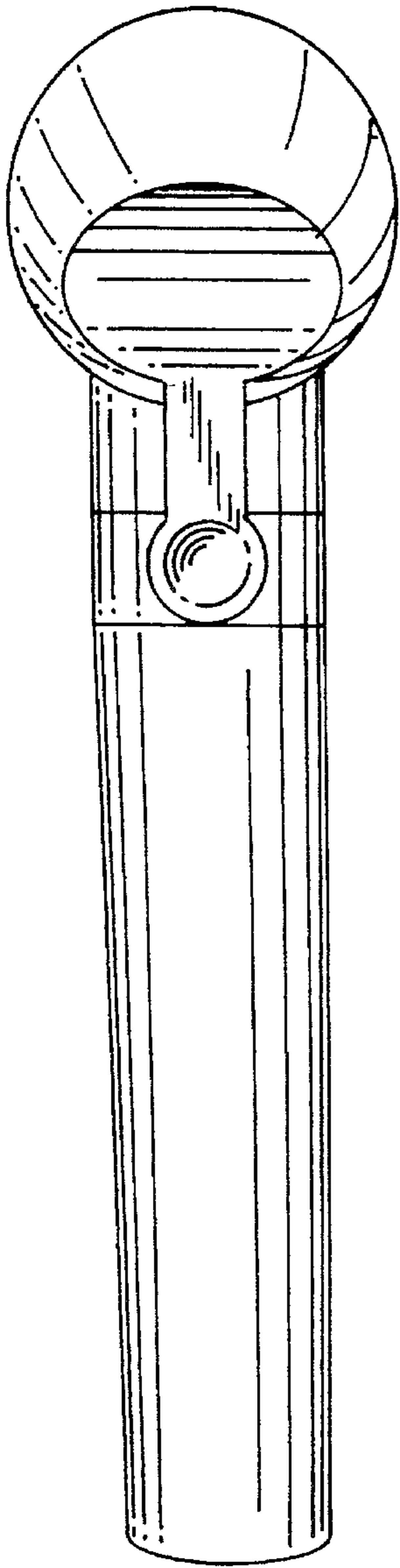


Fig. 5

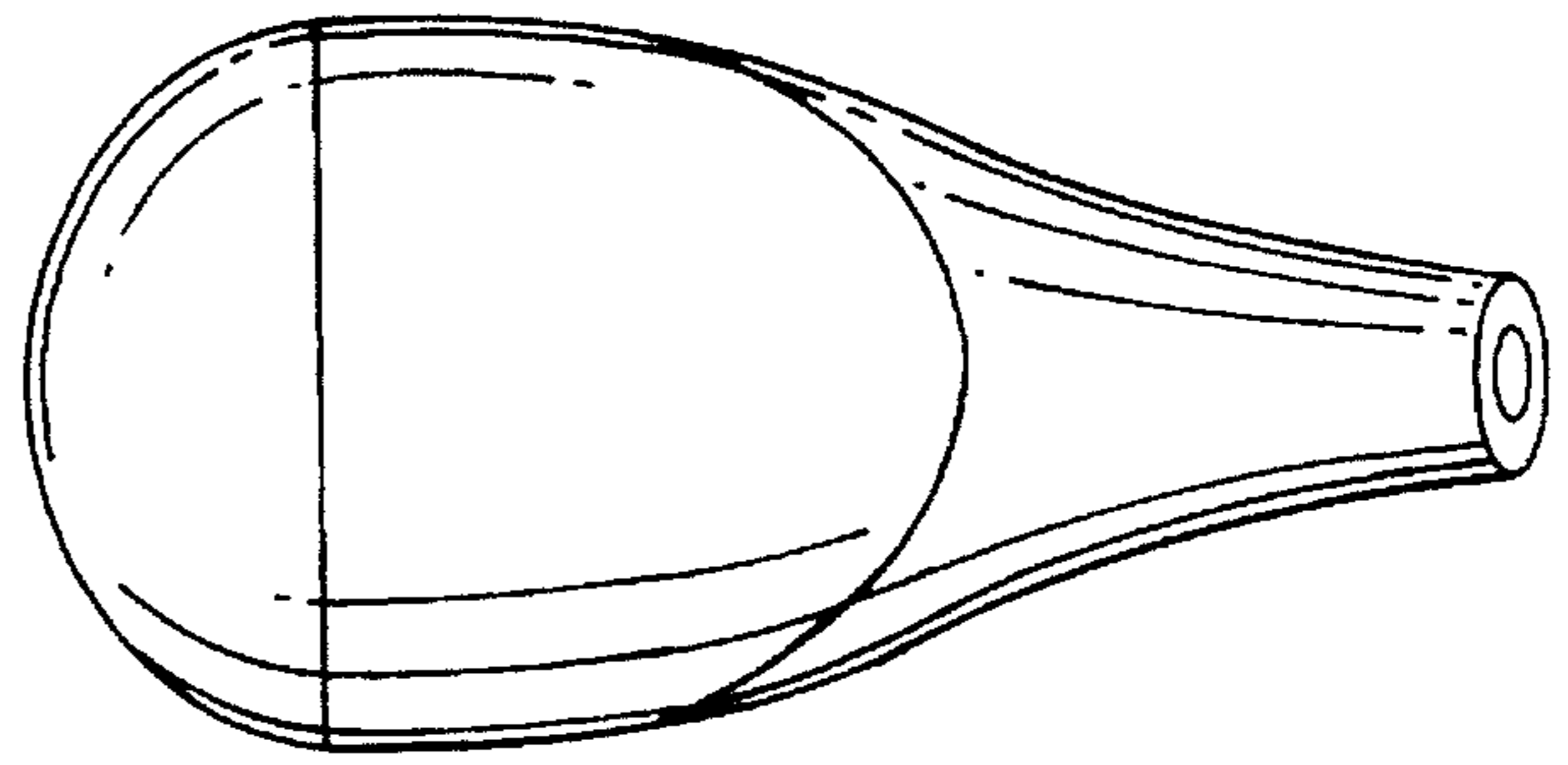


Fig. 6

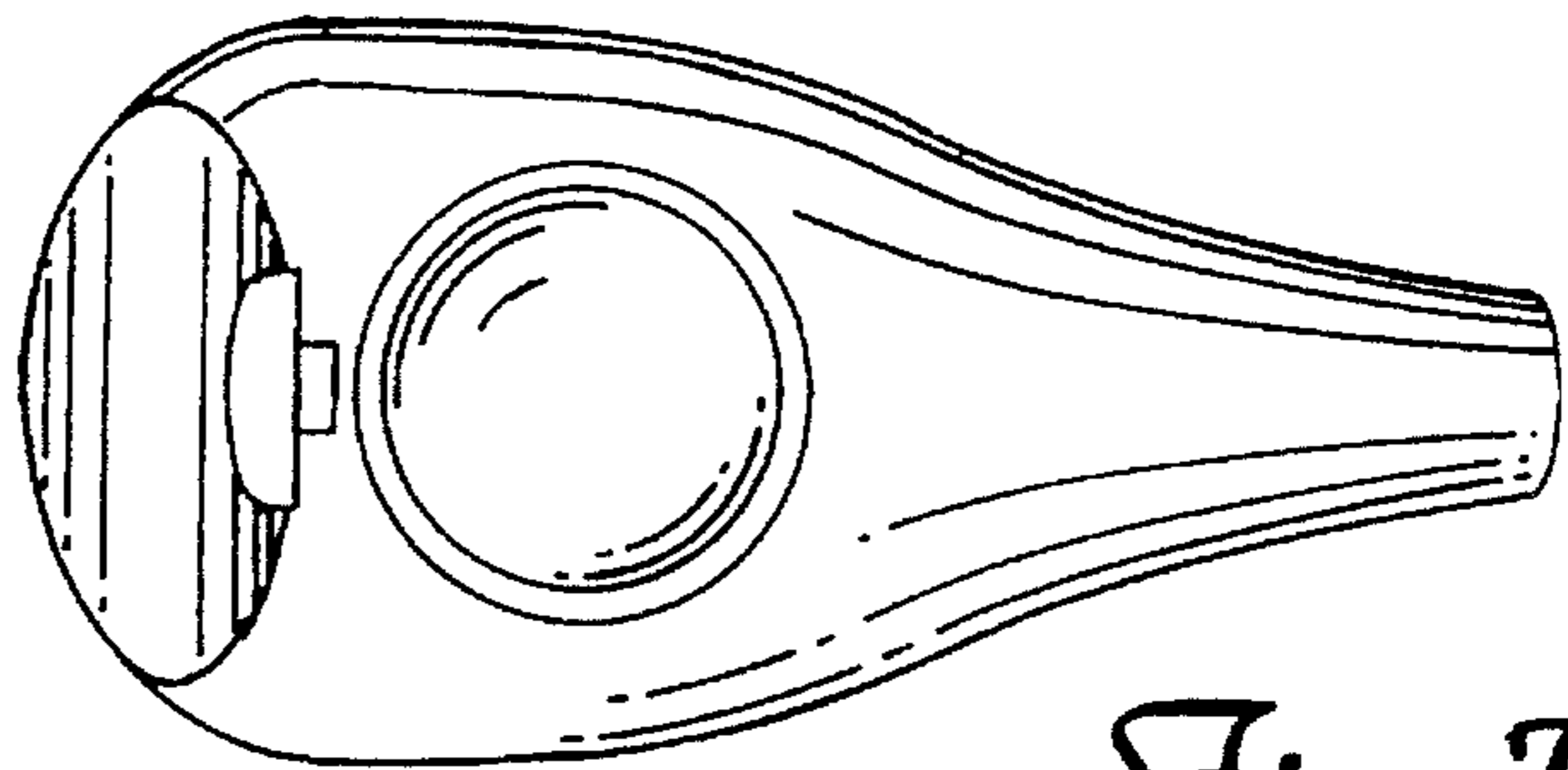


Fig. 7

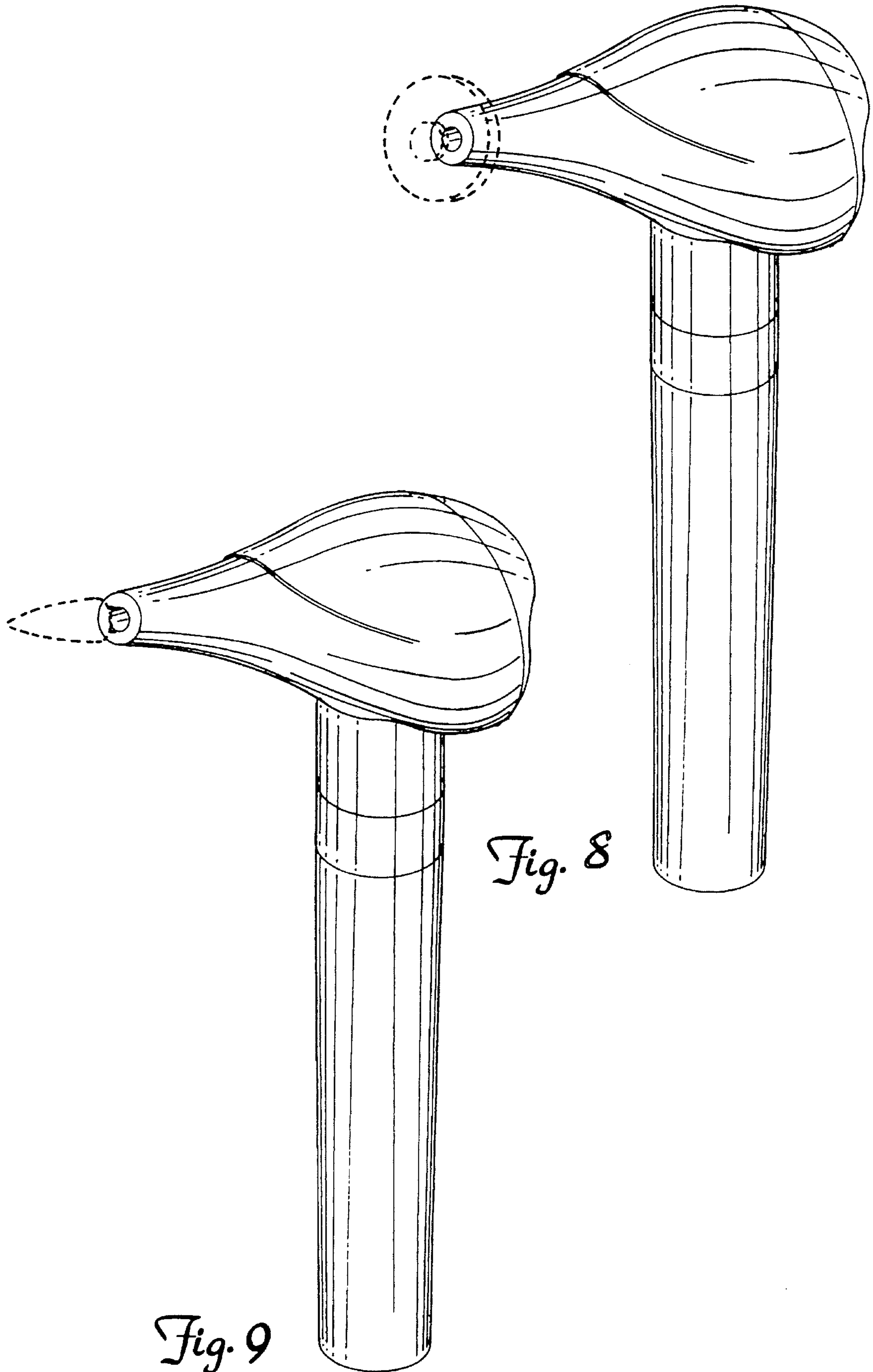


Fig. 8

Fig. 9