



US00D377714S

United States Patent [19]

Fenton et al.

[11] Patent Number: **Des. 377,714**

[45] Date of Patent: ****Feb. 4, 1997**

[54] TACKLE BOX

[75] Inventors: **Timothy J. Fenton**, Wooster, Ohio;
James A. Schillinger, Augusta, Kans.

[73] Assignee: **Rubbermaid Specialty Products Inc.**,
Wooster, Ohio

[**] Term: **14 Years**

[21] Appl. No.: **27,374**

[22] Filed: **Aug. 19, 1994**

[52] U.S. Cl. **D3/260; D3/905**

[58] Field of Search **D3/260, 254, 273,**
D3/259, 900, 902, 904, 905; 43/25.2, 26,
54.1, 57.1; 206/315.11

[56] **References Cited**

U.S. PATENT DOCUMENTS

D. 242,083	10/1976	Jean	D3/260
D. 254,122	2/1980	Wintz	D9/341
D. 279,623	7/1985	Blomquist et al.	D3/260 X
D. 299,586	1/1989	Lanius	D3/281
D. 308,915	7/1990	Lanius	D3/284
D. 340,803	11/1993	Bradford et al.	D3/283
3,305,076	2/1967	Fleenor	.	
3,583,556	6/1971	Wagner	.	
4,118,086	10/1978	Kneler	312/270
4,344,646	8/1982	Michel	.	
4,768,651	9/1988	Lanius	206/315.11
4,890,414	1/1990	Bridenthal et al.	43/54.1
5,042,193	8/1991	Steiner	43/54.1
5,176,281	1/1993	Fiore	206/315.11 X
5,185,952	2/1993	Bruce	43/54.1 X

OTHER PUBLICATIONS

Pp. 6 and 10, Tackle boxes; Plano Molding Company, 431 East South Street, Plano, Illinois 60545-1601. Publication date 1991.

Catalog page, Tackle boxes; Flambeau Products Corporation, 15981 Valplast Road, Middlefield, Ohio 44062. Publication date Aug., 1991.

Catalog page, Tackle boxes; Flambeau Products Corporation, 15981 Valplast Road, Middlefield, Ohio 44062. Publication date Aug., 1991.

Catalog page, Tackle boxes; Flambeau Products Corporation, 15981 Valplast Road, Middlefield, Ohio 44062. Publication date Aug., 1991.

Catalog page, Tackle boxes; Flambeau Products Corporation, 15981 Valplast Road, Middlefield, Ohio 44062. Publication date Aug., 1991.

P. 21, Tackle boxes; Rubbermaid Specialty Products Inc., 1147 Akron Road, Wooster, Ohio 44691, Publication date 1993.

Primary Examiner—Doris V. Coles

Assistant Examiner—Catherine R. Oliver

Attorney, Agent, or Firm—Richard B. O'Planick; Lisa B. Riedesel

[57] **CLAIM**

The ornamental design for a tackle box, as shown and described.

DESCRIPTION

FIG. 1 is a top left front perspective view of a tackle box showing our new design;

FIG. 2 is a front elevational view thereof;

FIG. 3 is a rear elevational view thereof;

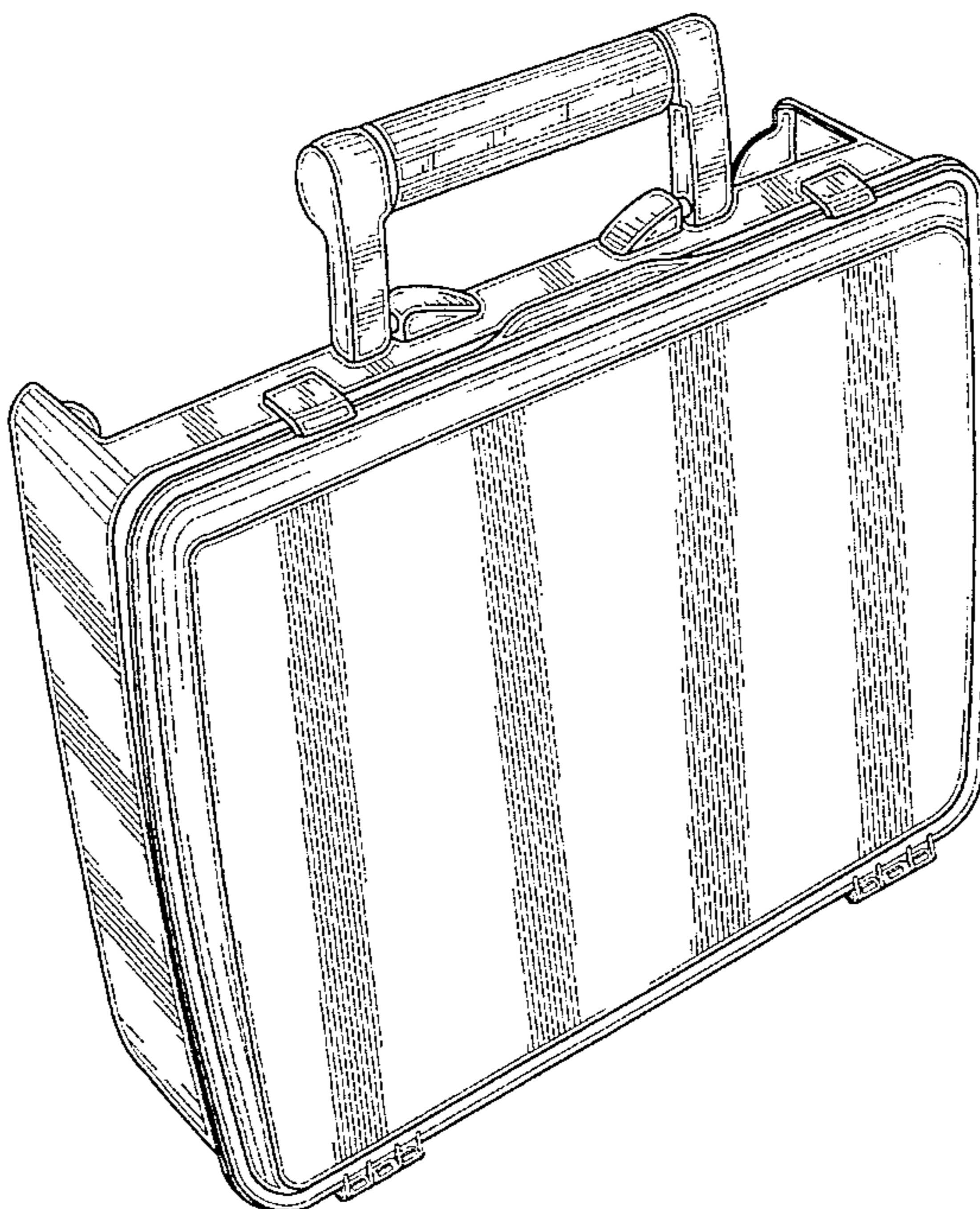
FIG. 4 is a right side elevational view thereof; the left side elevational view being a mirror image;

FIG. 5 is a top plan view thereof;

FIG. 6 is a bottom plan view thereof and,

FIG. 7 is a top right rear side perspective view thereof.

1 Claim, 6 Drawing Sheets



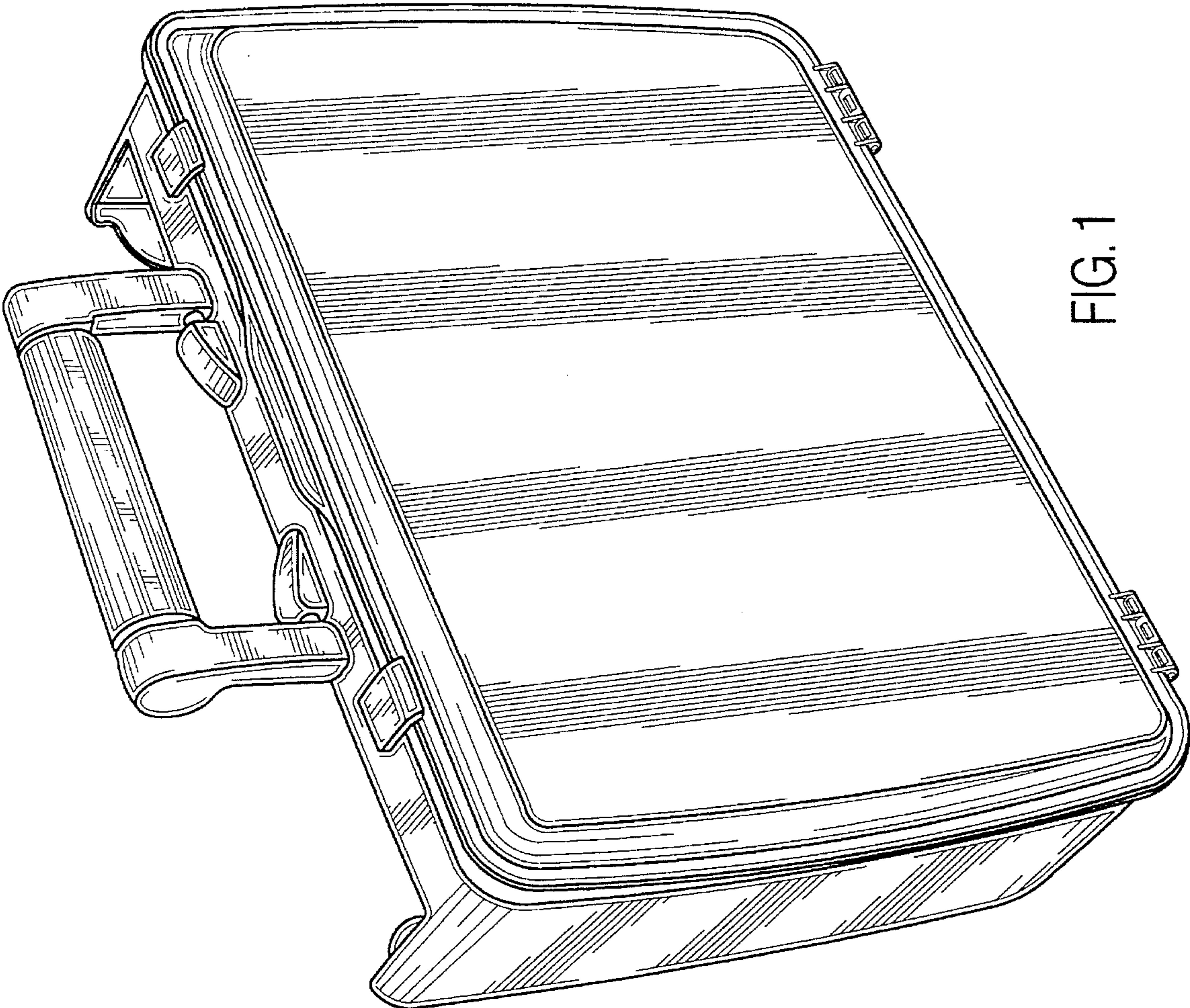


FIG. 1

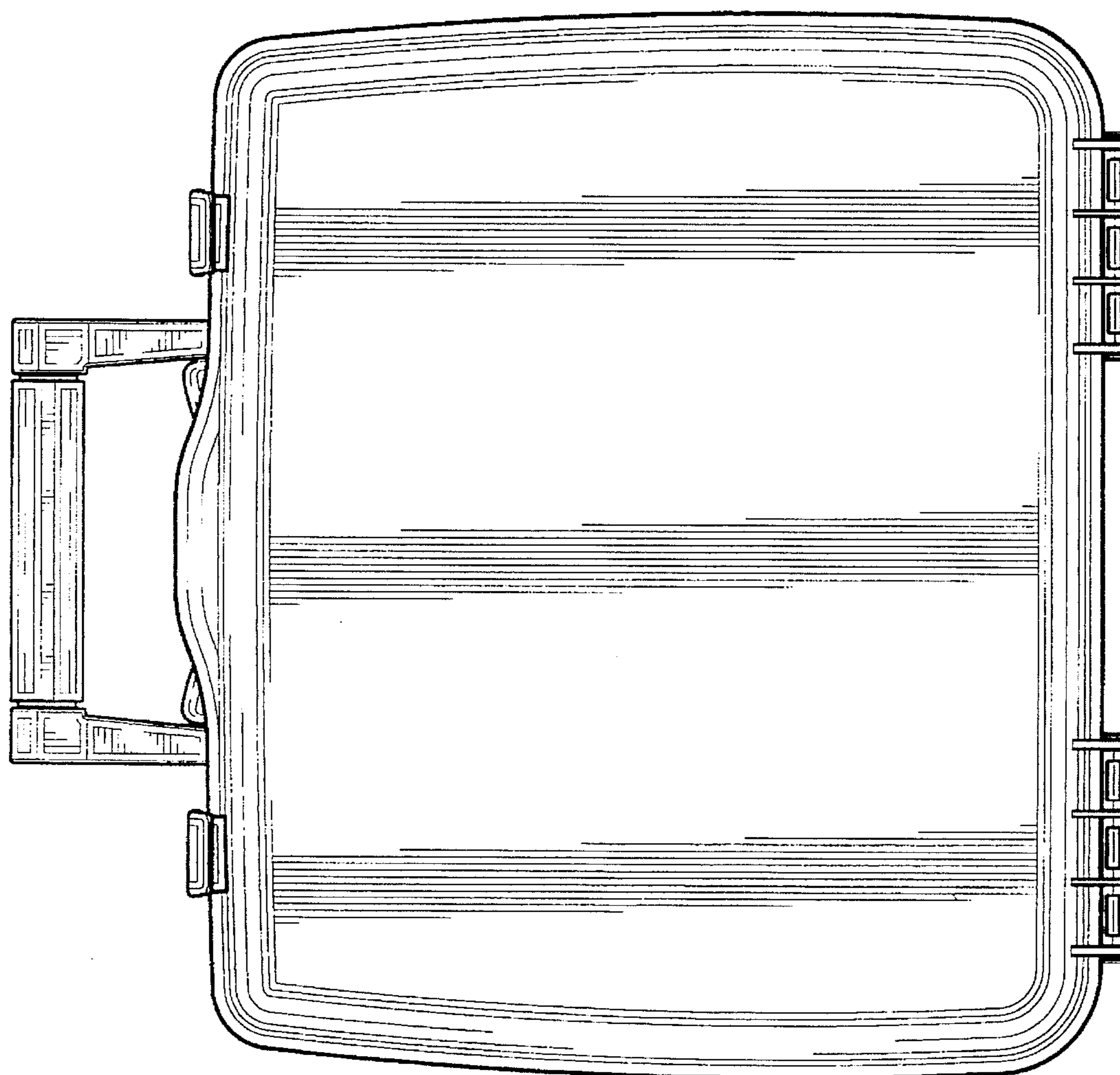


FIG. 2

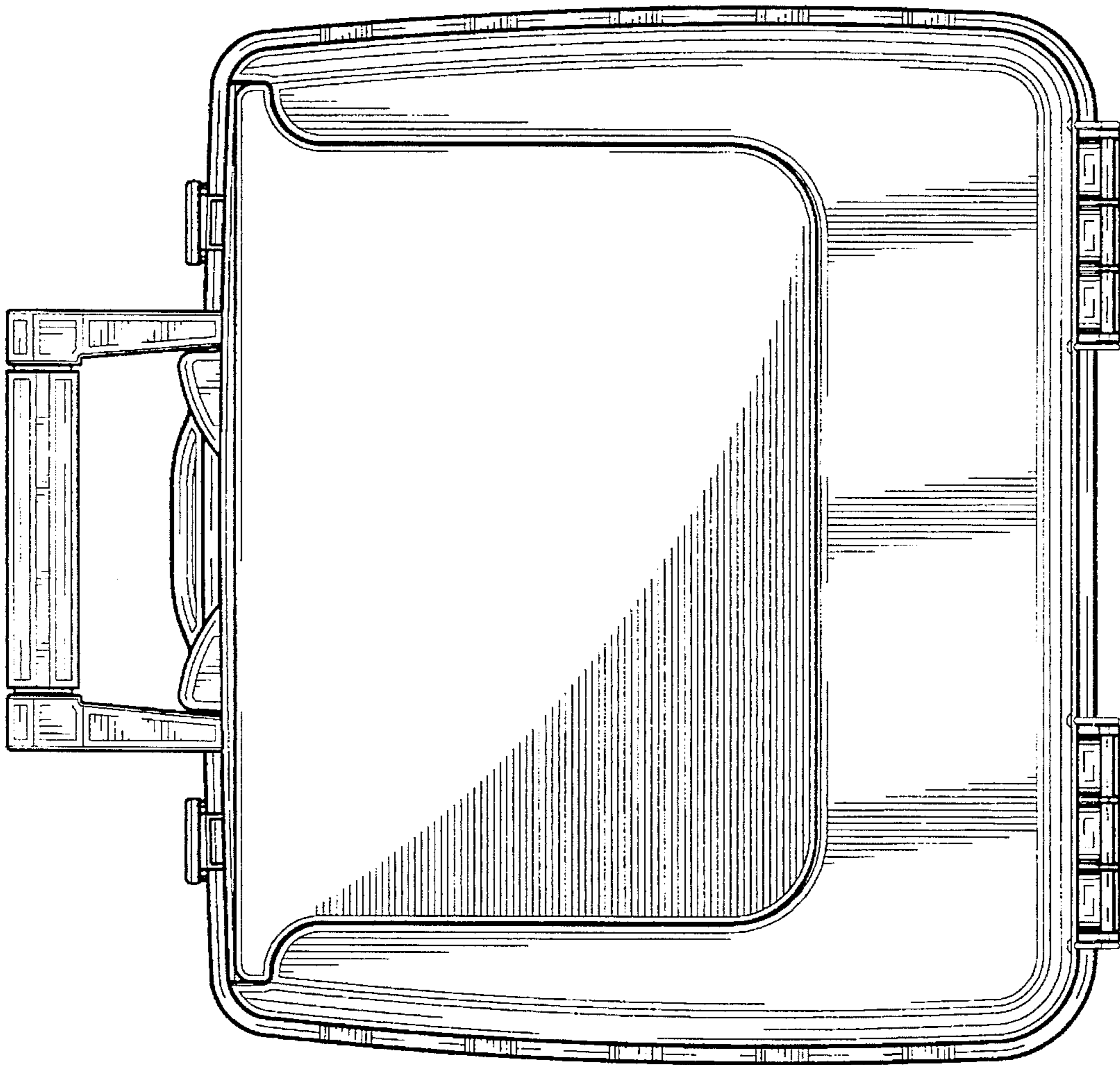


FIG. 3

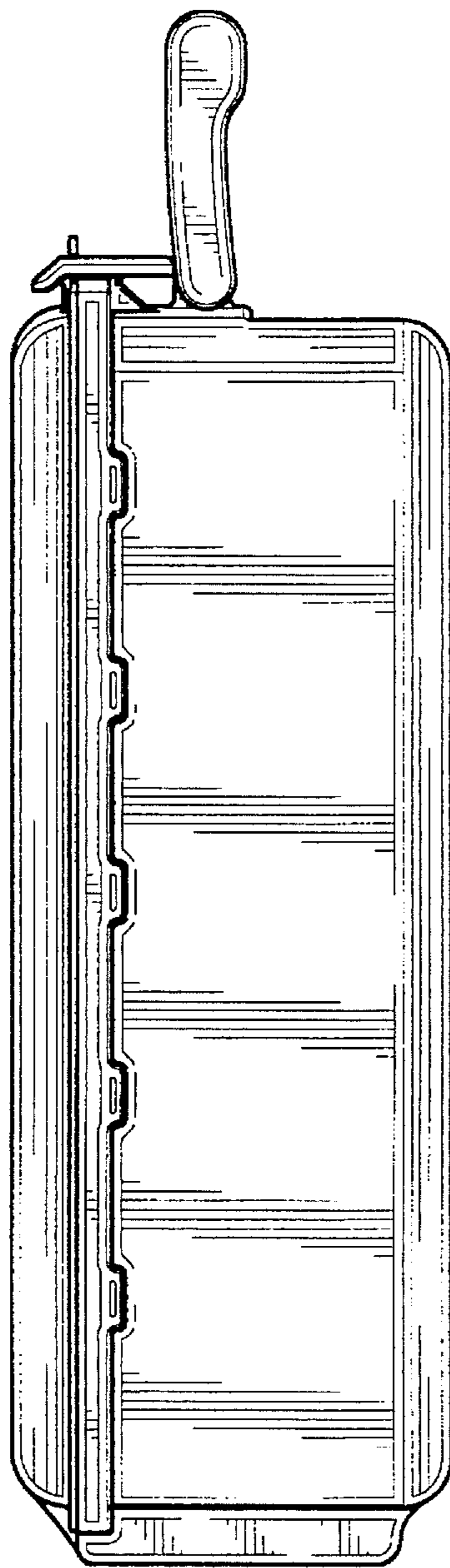


FIG. 4

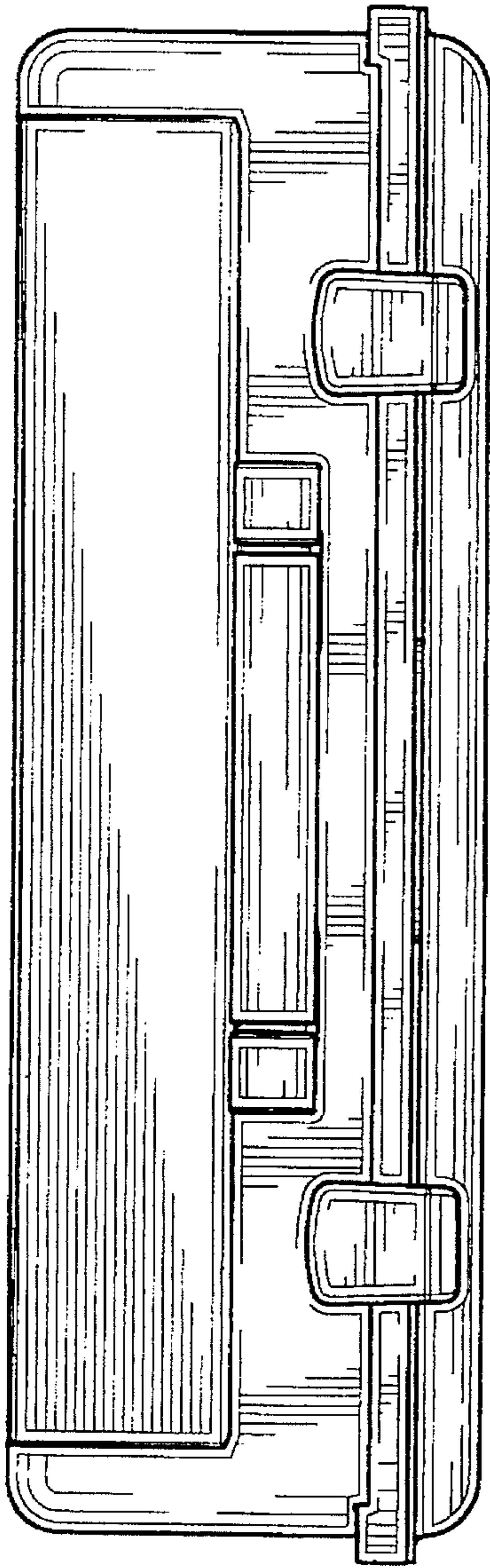


FIG. 5

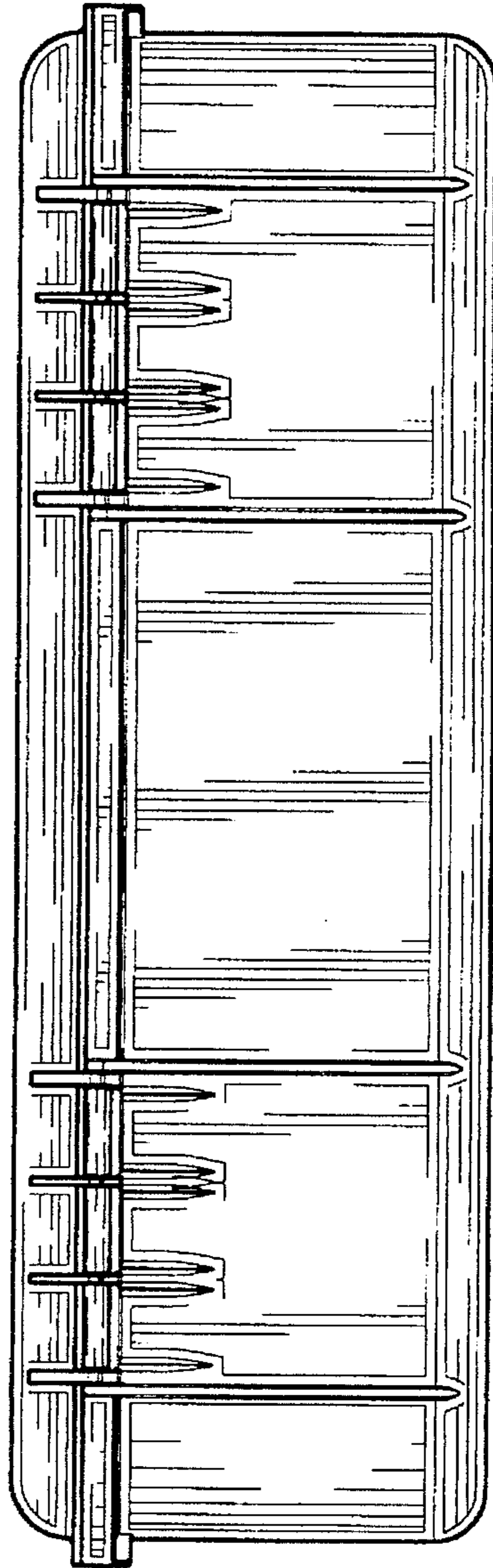


FIG. 6

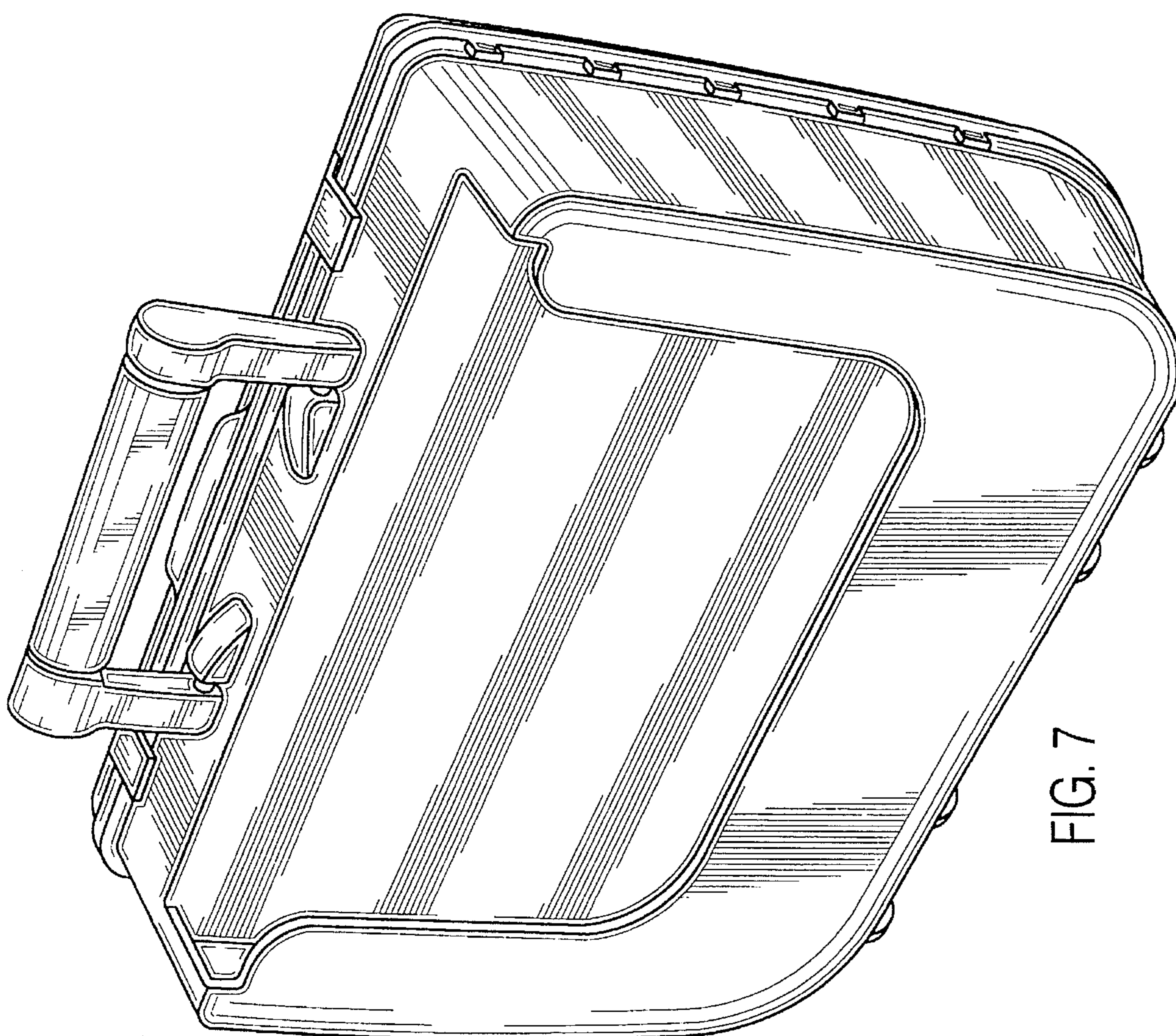


FIG. 7