



US00D377702S

United States Patent [19]

Monosov

[11] Patent Number: **Des. 377,702**

[45] Date of Patent: ****Jan. 28, 1997**

[54] TALISMAN

2,983,354 5/1961 Ember et al. 40/27.5 X

[76] Inventor: **Susanna Monosov**, 98 Glenmanor Way,
Thornhill, Ontario, Canada, L4J 3E5

OTHER PUBLICATIONS

Webster's II New Riverside Dictionary, copyright 1984, p. 1536.

[**] Term: **14 Years**

Primary Examiner—James M. Gandy
Assistant Examiner—Caron D. Veynar
Attorney, Agent, or Firm—Mark B. Eisen

[21] Appl. No.: **47,213**

[22] Filed: **Nov. 29, 1995**

[52] U.S. Cl. **D99/25**

[57] CLAIM

[58] Field of Search D99/25; D21/51,
D21/53; D11/62, 108, 110, 95-99, 43, 81;
63/2, 20; 40/27.5; 428/3

The ornamental design for a talisman, as shown and described.

DESCRIPTION

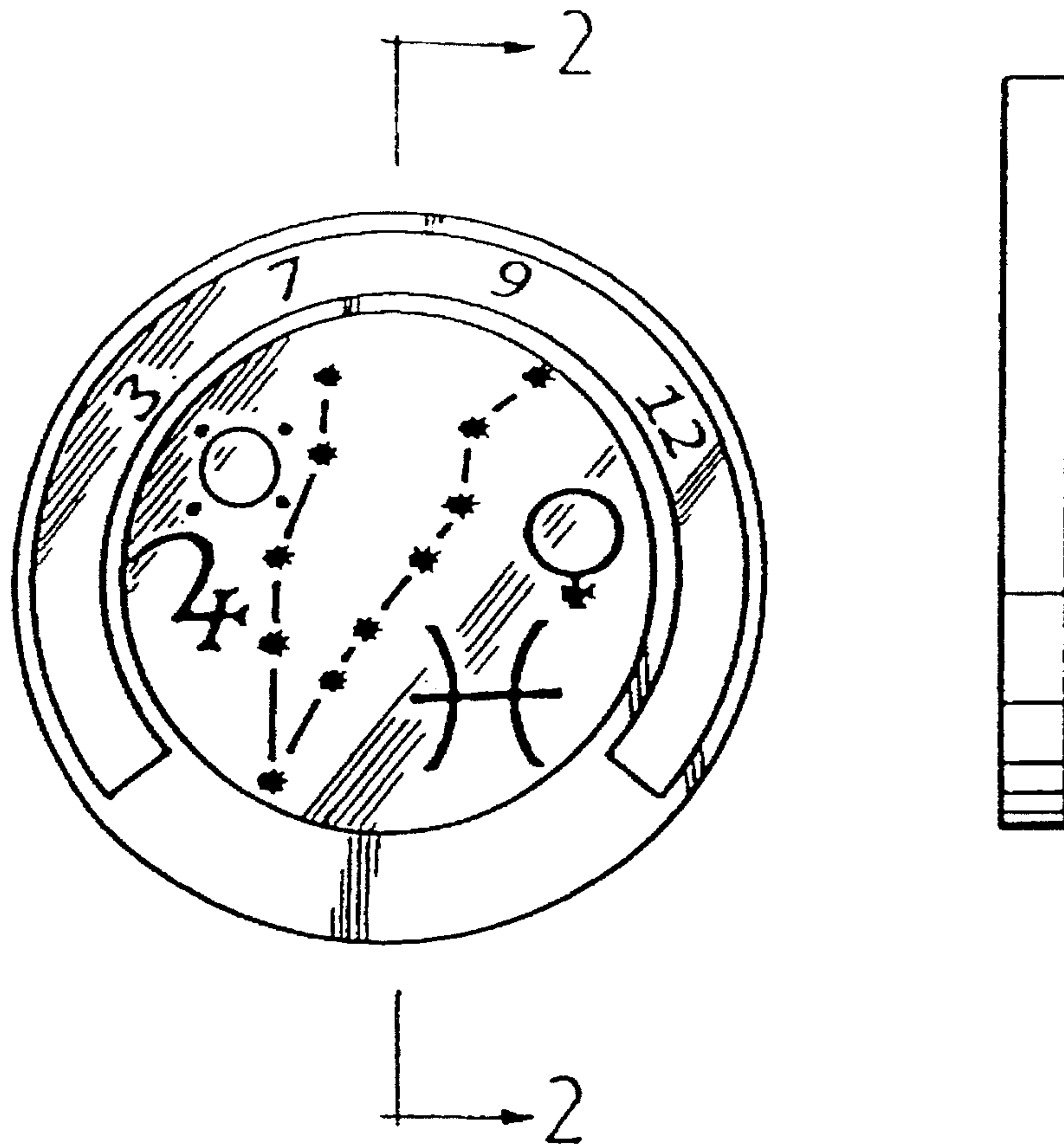
[56] References Cited

U.S. PATENT DOCUMENTS

D. 40,455	1/1910	Hudson	D11/95
D. 227,787	7/1973	Dann	D21/53 X
D. 290,821	7/1987	Deville	D11/81 X
D. 319,415	8/1991	Johnston	D11/95 X
632,938	9/1899	Greenburg	40/27.5
1,475,652	11/1923	Polizzi	40/27.5

FIG. 1 is a front elevation of the talisman;
FIG. 2 is a cross section view taken along line 2—2 in FIG. 1;
FIG. 3 is a rear elevation; and,
FIG. 4 is a side elevation view, all other side views being identical.

1 Claim, 1 Drawing Sheet



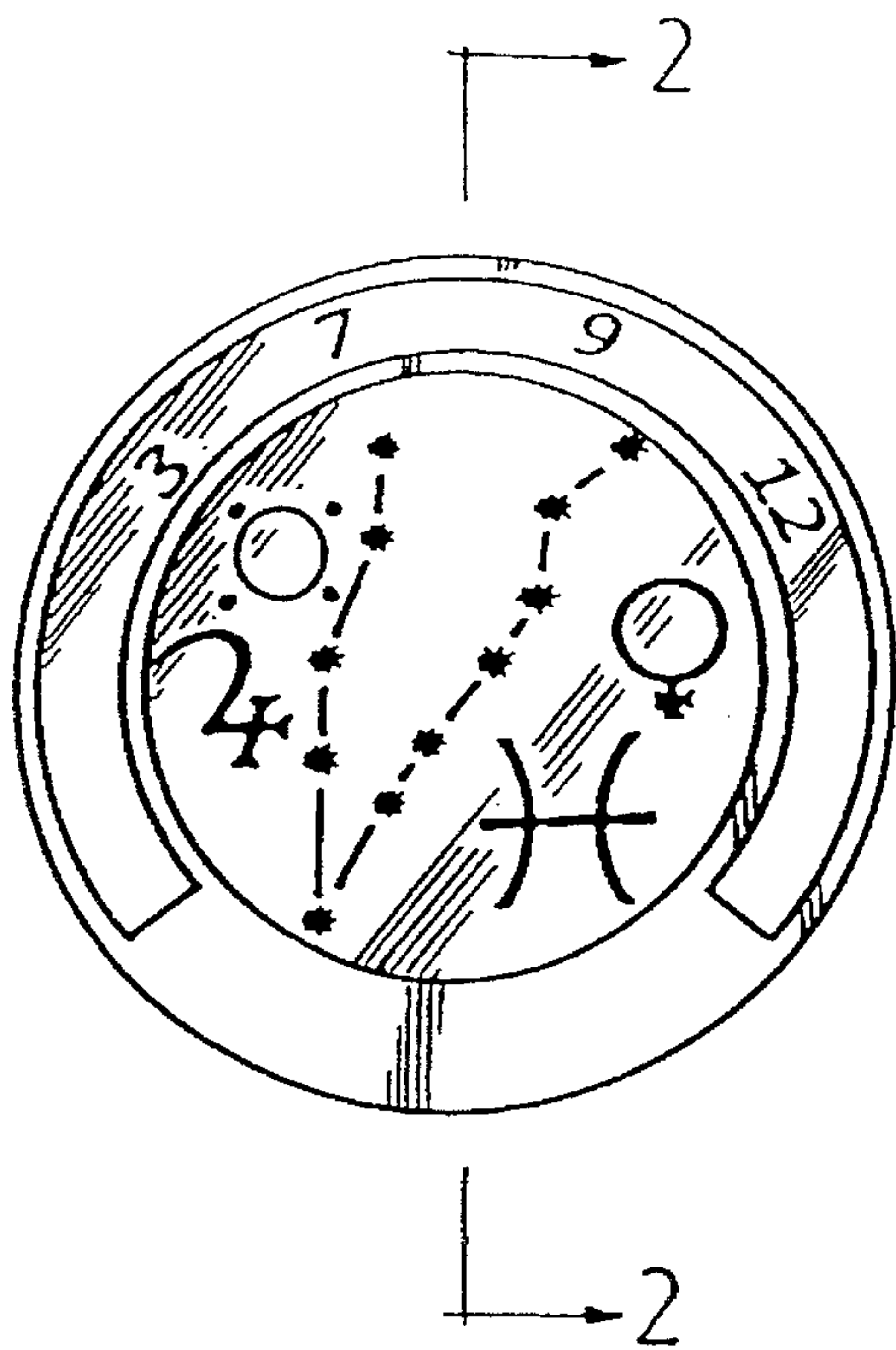


Fig. 1



Fig. 2

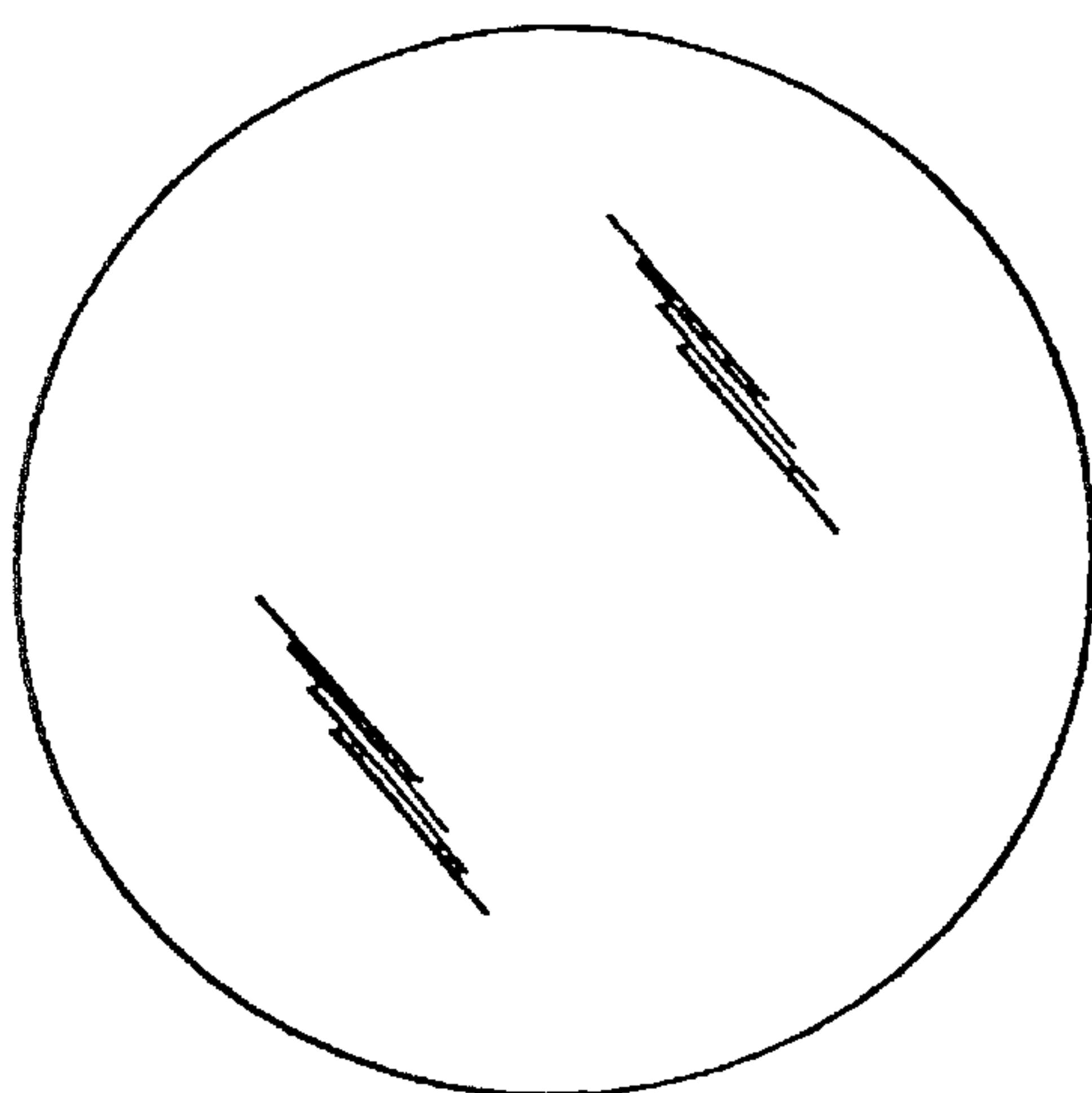


Fig. 3



Fig. 4