



US00D377699S

United States Patent [19]

McLaughlin

[11] Patent Number: **Des. 377,699**

[45] Date of Patent: ****Jan. 28, 1997**

[54] **GRILL CLEANING TOOL**

[76] Inventor: **Robert A. McLaughlin**, 8 Starboard Way, Tequesta, Fla. 33469

[**] Term: **14 Years**

[21] Appl. No.: **34,125**

[22] Filed: **Jan. 27, 1995**

[52] U.S. Cl. **D32/46; D8/14**

[58] Field of Search D32/35, 40, 46, D32/49; 15/236.01, 241, 236.05, 236.06, 236.07, 236.08, 236.09; 30/164.9, 169; D25/126, 131, 132, 122, 123, 124, 125, 131; D8/14; D23/265, 266; 52/726.2, 726.3; D21/203, 108, 210; 446/107, 126, 120

[56] **References Cited**

U.S. PATENT DOCUMENTS

D. 286,457	10/1986	Thomas	D32/49
311,710	2/1885	Annable	52/726.3 X
D. 343,811	2/1994	Weidberg	D12/119
1,075,041	10/1913	Kirkuess	D21/203 X
2,313,357	3/1943	Pajeau	D21/108 X
3,423,102	1/1969	Heldenbrand	.	
3,719,993	3/1973	Caprioli	15/104.04 X
3,913,423	10/1975	Gerst	D8/14 X
4,199,833	4/1980	Sitkins et al.	D8/18 X

4,214,342	7/1980	Amundsen	15/105 X
4,234,094	11/1980	Jorgensen	D6/566 X
4,958,403	9/1990	Martin	D32/49 X

Primary Examiner—Susan J. Lucas
Assistant Examiner—Cynthia E. Ramirez
Attorney, Agent, or Firm—McHale & Slavin, P.A.

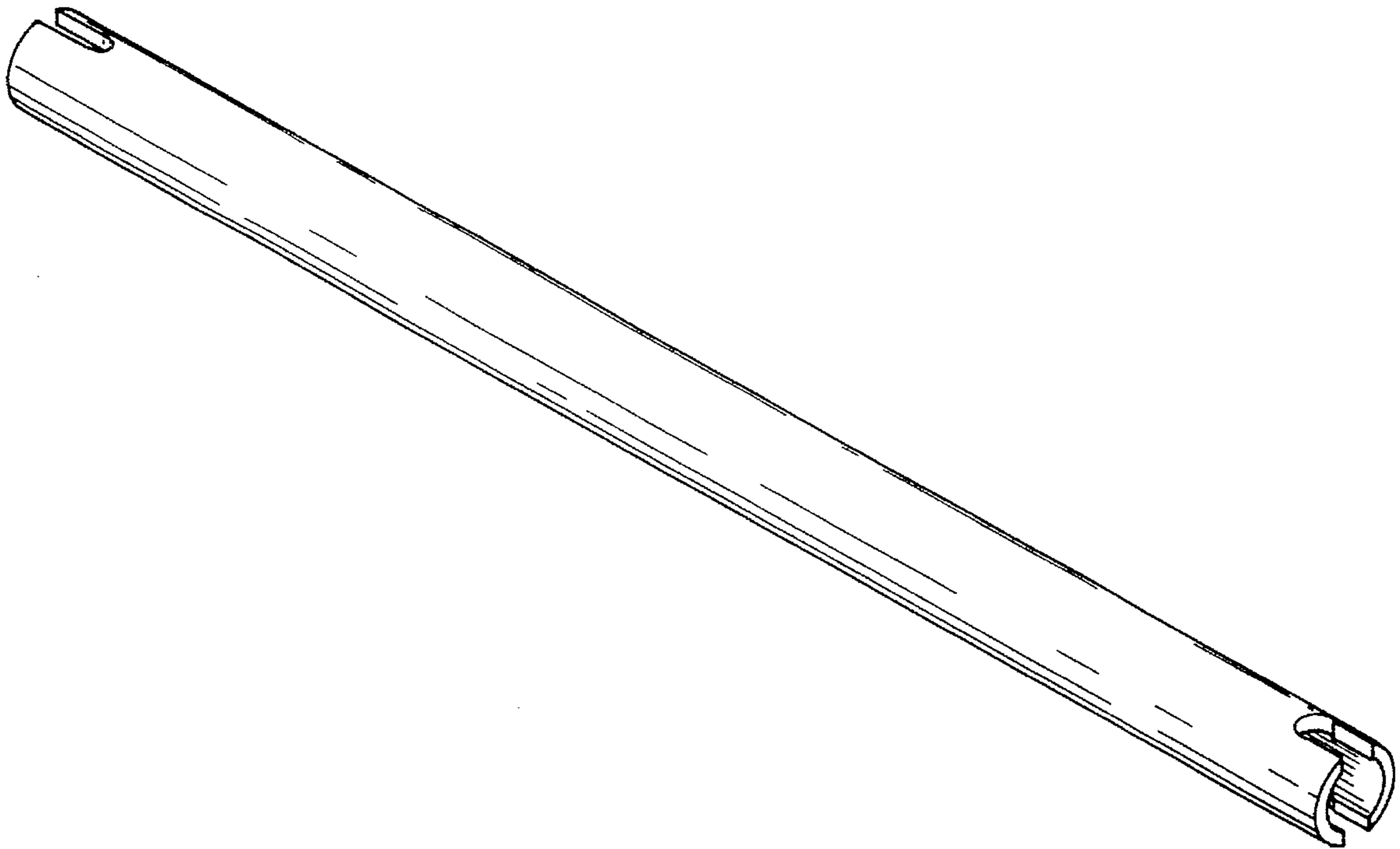
[57] **CLAIM**

The ornamental design for a grill cleaning tool, as shown and described.

DESCRIPTION

FIG. 1 is a pictorial view of the grill cleaning tool of the instant invention applied to the cooking surface of a grill; FIG. 2 is a perspective view of the device; FIG. 3 is a fragmentary side view of a first end FIG. 2; FIG. 4 is a fragmentary side view of a second end FIG. 3; FIG. 5 is a cross-section front view of a second end of FIG. 3; and, FIG. 6 is a cross-section side view of FIG. 4 illustrating the device as applied to a grill grating. The broken line showing of the person and the grill in FIG. 1 and the bars in FIGS. 5 and 6 is for illustrative purposes only and forms no part of the claimed design. The grill cleaning tool is fragmentarily shown in FIGS. 3 and 4 for convenience of illustration.

1 Claim, 3 Drawing Sheets



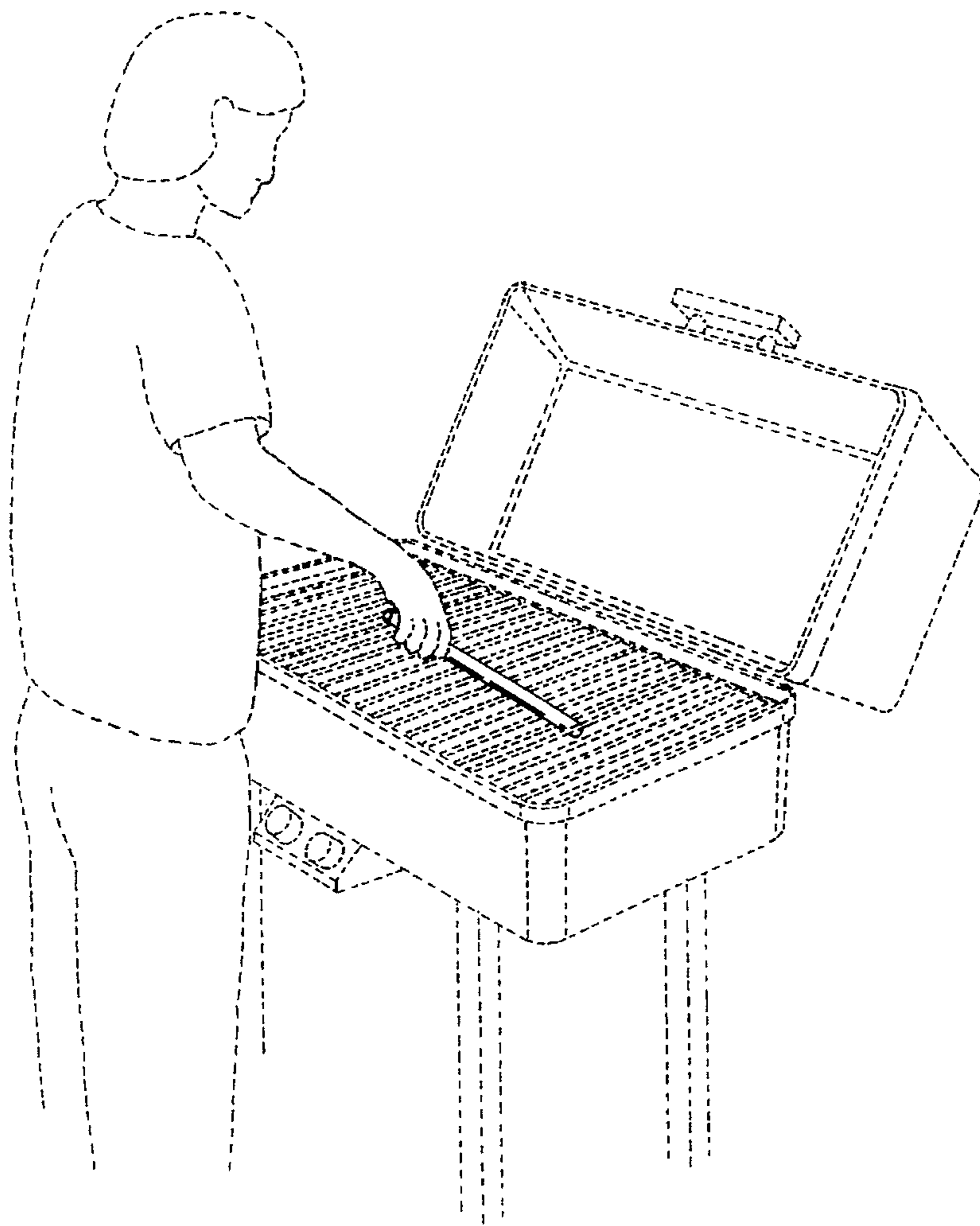


FIG. 1

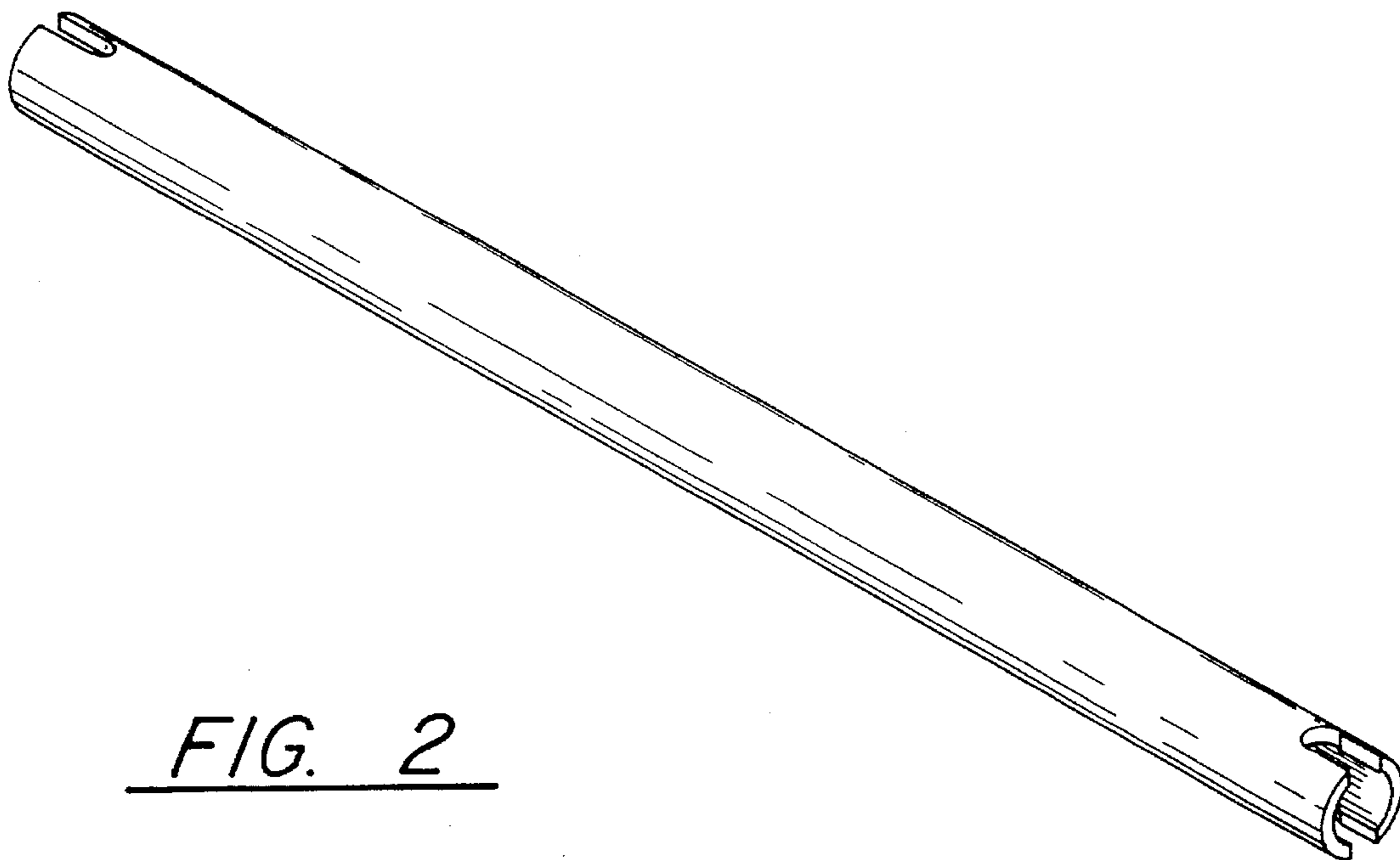


FIG. 2

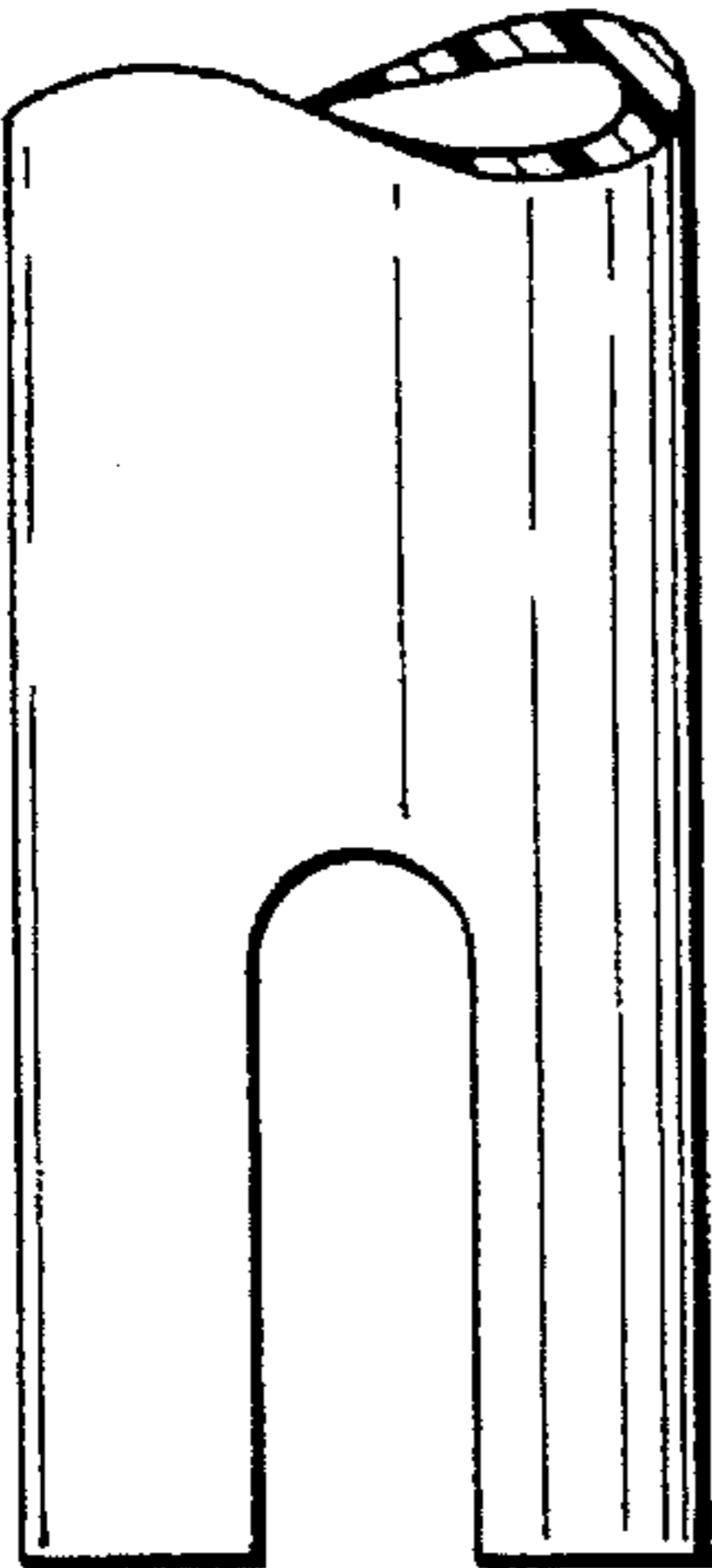


FIG. 3

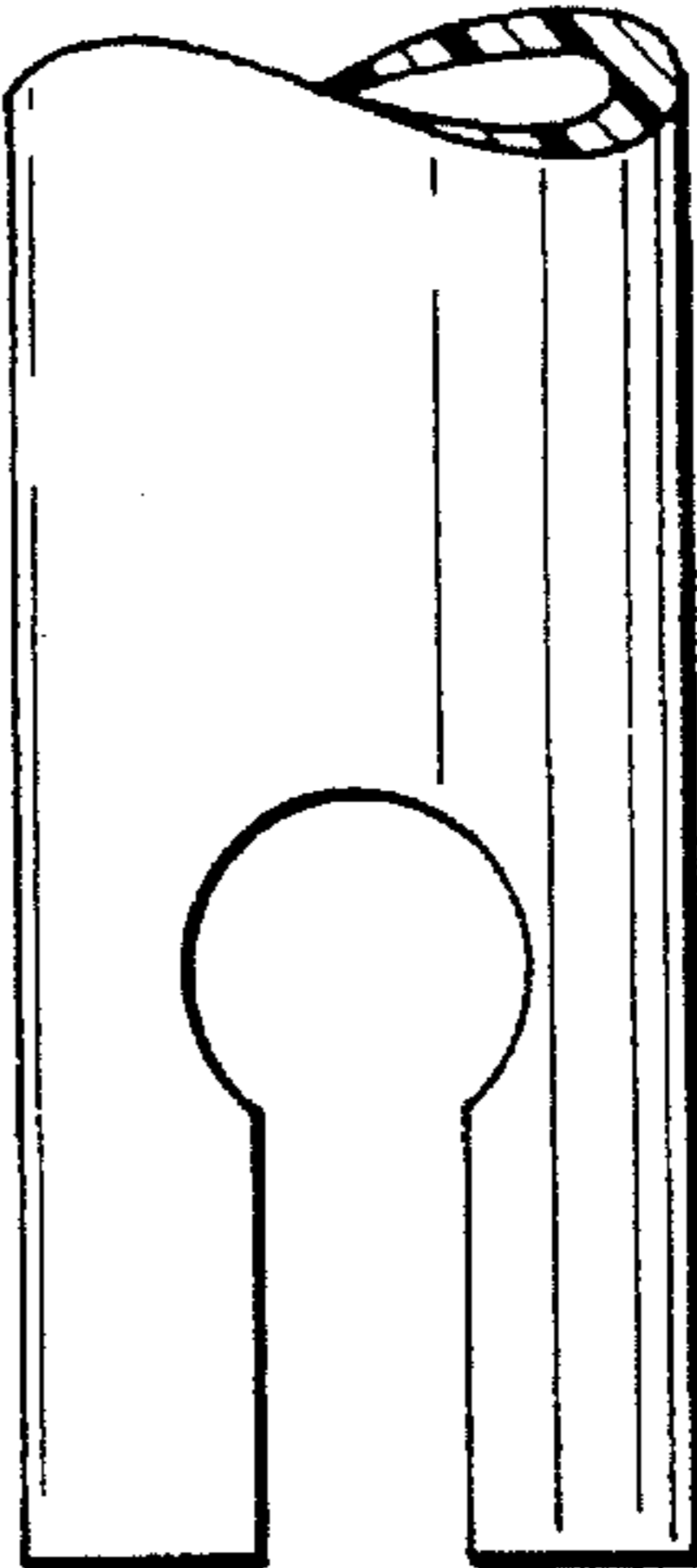


FIG. 4

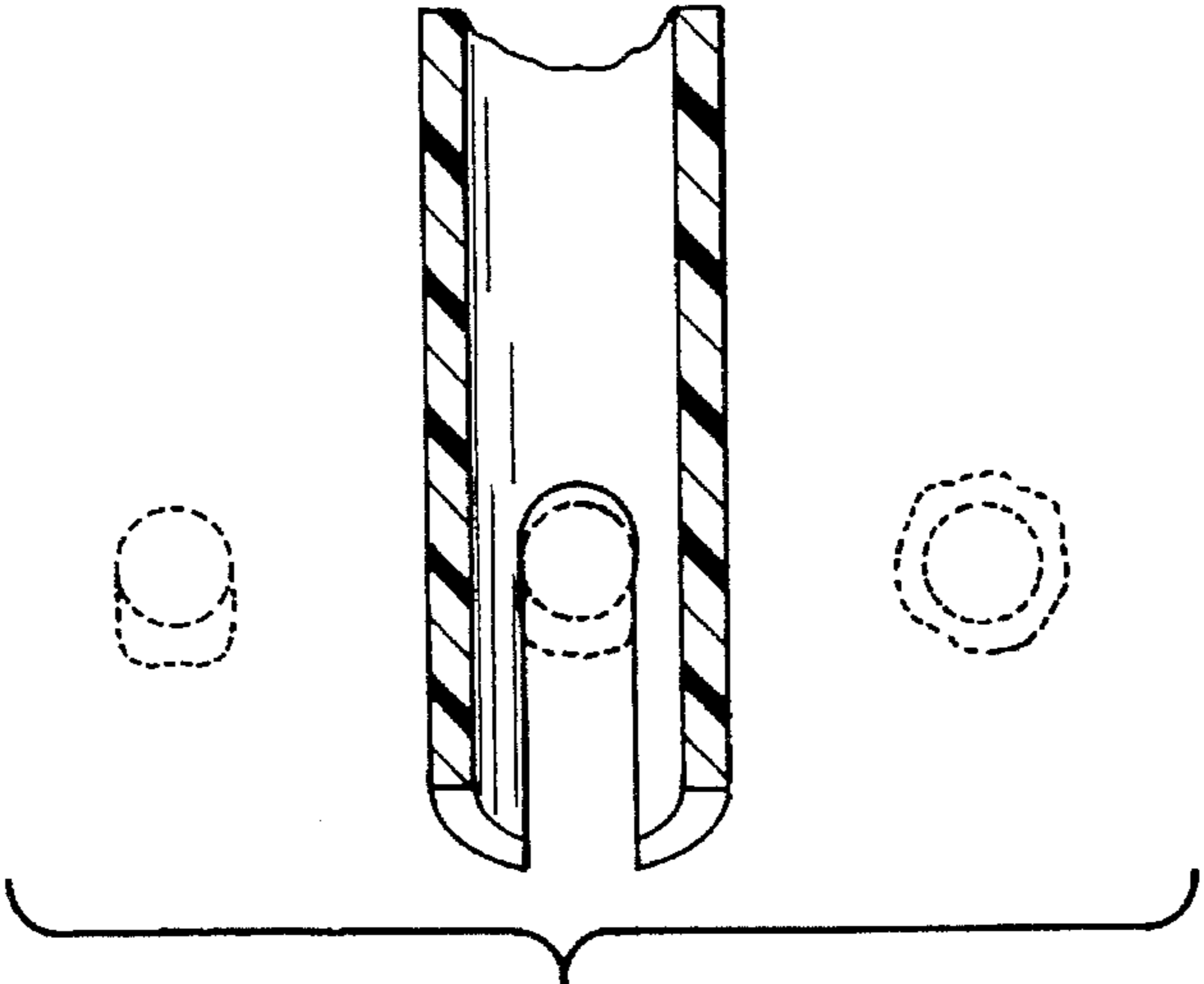


FIG. 5

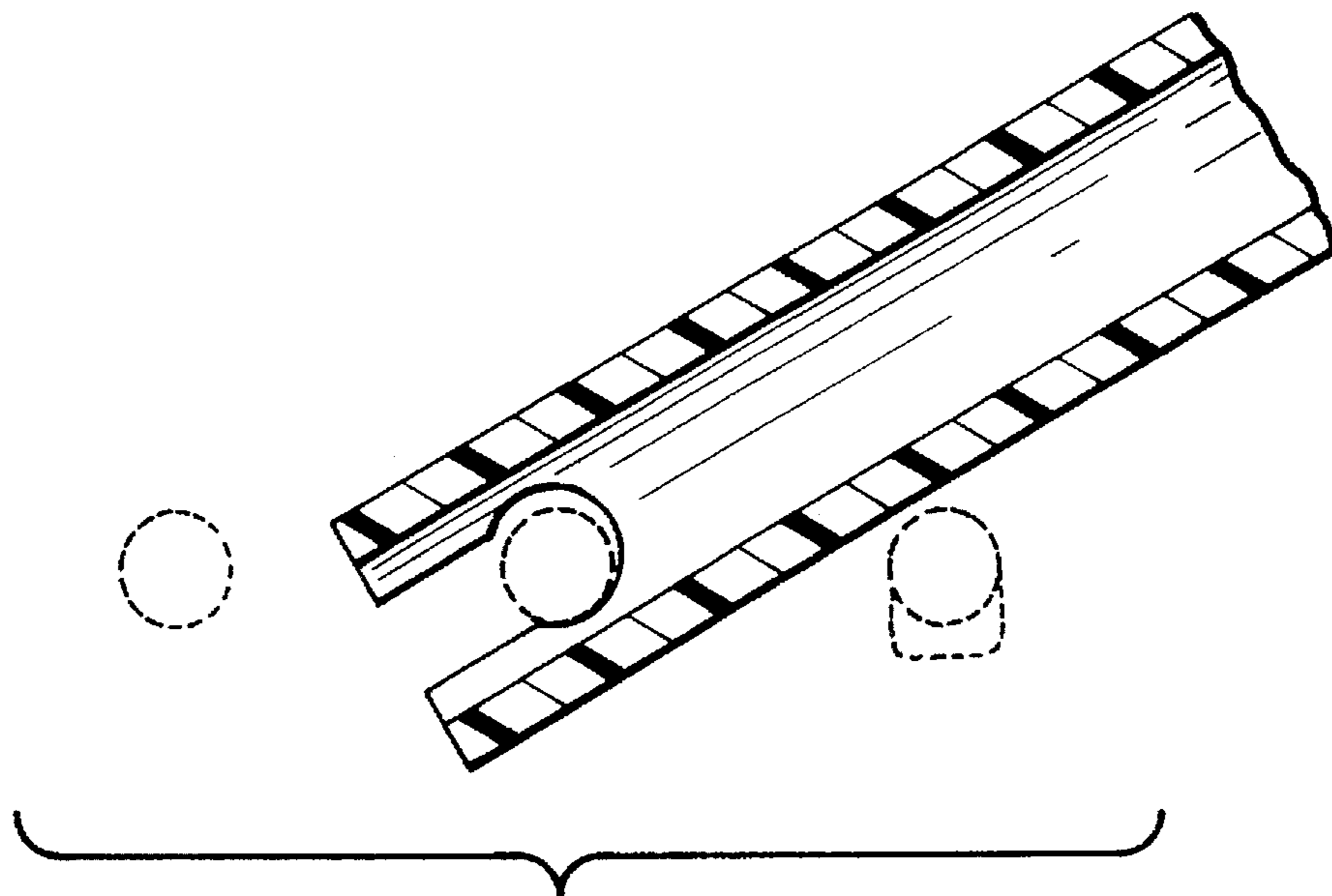


FIG. 6