



US00D377695S

United States Patent [19]
Puckett

[11] **Patent Number: Des. 377,695**
[45] **Date of Patent: **Jan. 28, 1997**

[54] **CURLING IRON RECEPTACLE**
[76] Inventor: **Leonard Puckett**, 3203 Maple La.,
Hazel Crest, Ill. 60429
[**] Term: **14 Years**
[21] Appl. No.: **46,748**
[22] Filed: **Nov. 2, 1995**
[52] **U.S. Cl. D28/38**
[58] **Field of Search D28/38, 18, 73;**
D8/71; D6/512, 553, 556, 566; D19/84;
D22/147; D24/228; 211/13, 60.1, 620, 69.1,
69.5, 69.8, 70.3, 70.6, 106, 119, 181; 248/27.8,
117.1, 117.2, 117.5, 107, 153, 302, 309.1,
314; 215/242

1,789,475 1/1931 Powell 219/242 X
3,612,454 10/1971 Linn 248/314 X
4,065,084 12/1977 Wiener 248/117.1
4,223,791 9/1980 Taggart 211/120
4,762,979 8/1988 Geoffroi D8/71 X

Primary Examiner—Ted Shooman
Assistant Examiner—C. Tuttle
Attorney, Agent, or Firm—David C. Brezina; Lee, Mann,
Smith, McWilliams, Sweeney & Ohlson

[57] **CLAIM**

The ornamental design for a curling iron receptacle, as shown and described.

DESCRIPTION

FIG. 1 is a perspective view of a curling iron receptacle showing my new design;
FIG. 2 is a left side elevational view thereof;
FIG. 3 is a top plan view thereof;
FIG. 4 is a bottom plan view thereof;
FIG. 5 is a right side elevational view thereof;
FIG. 6 is a front elevational view thereof; and,
FIG. 7 is a rear elevational view thereof.

1 Claim, 2 Drawing Sheets

[56] **References Cited**
U.S. PATENT DOCUMENTS
D. 106,536 10/1937 Heim D19/84
178,012 5/1876 Koelsch 248/314 X
D. 219,202 11/1970 Sylvester D8/71
905,944 12/1908 Southard 248/302 X
984,381 2/1911 Marshel 211/120

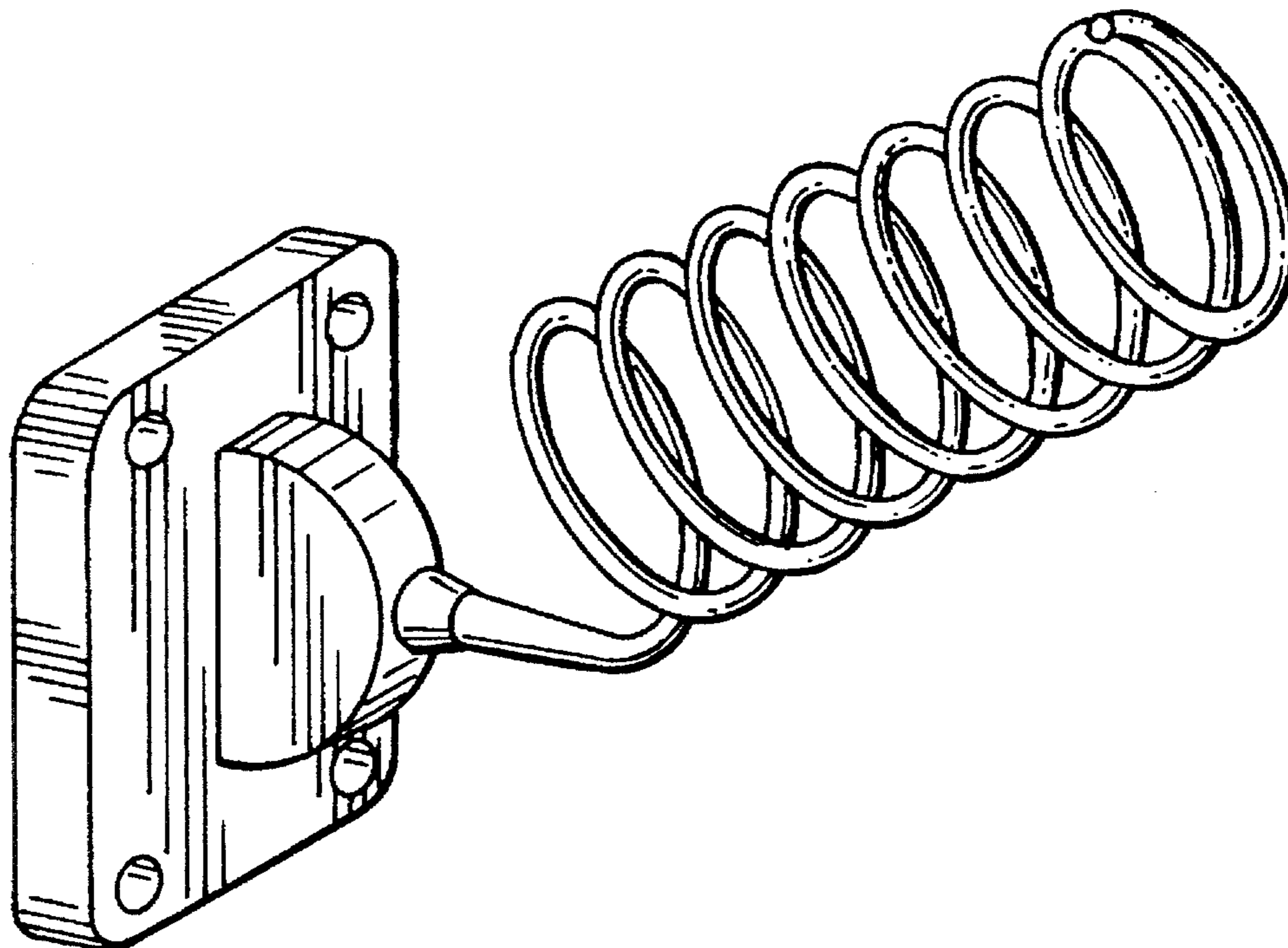


FIG. 1

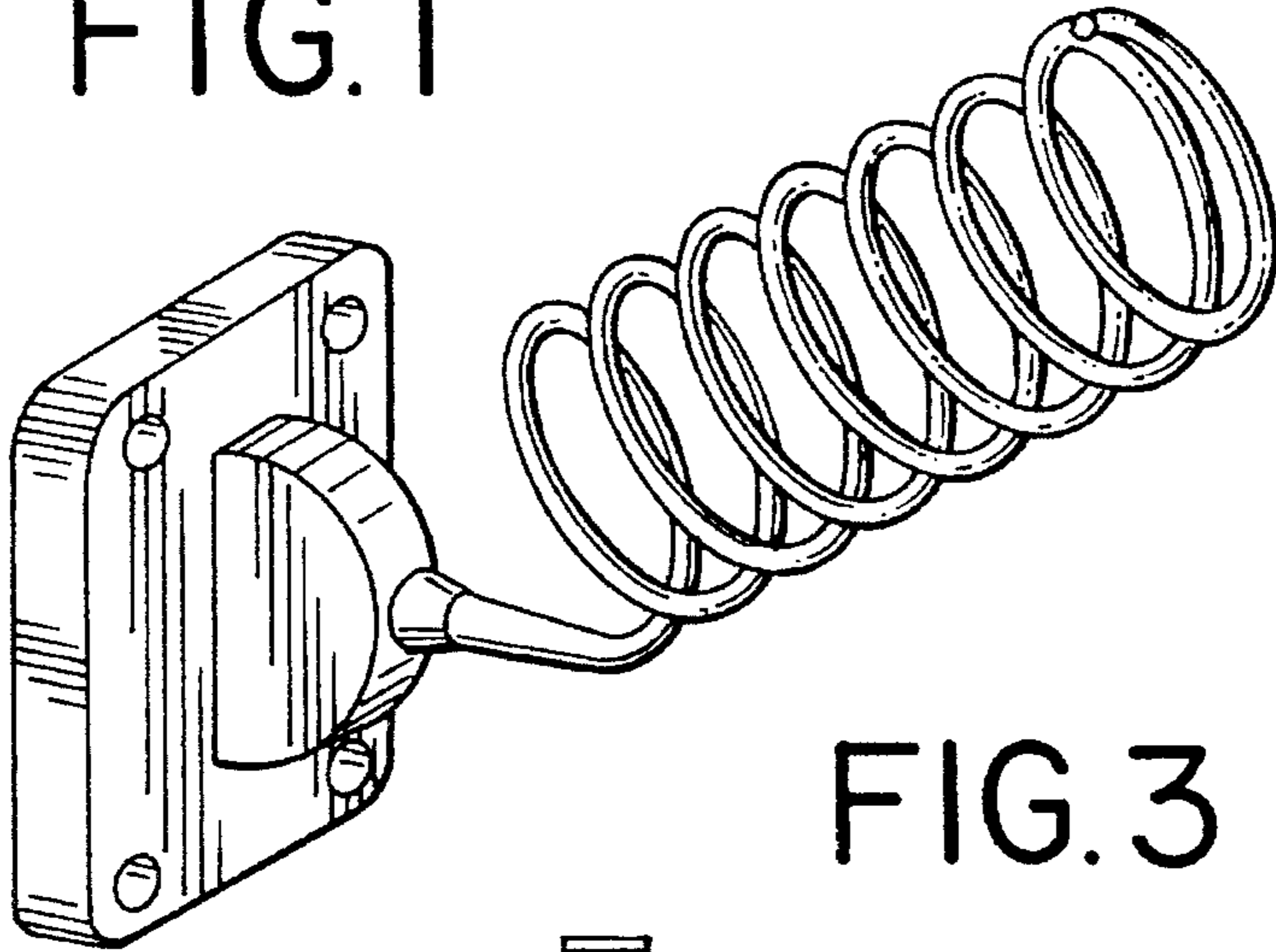


FIG. 3

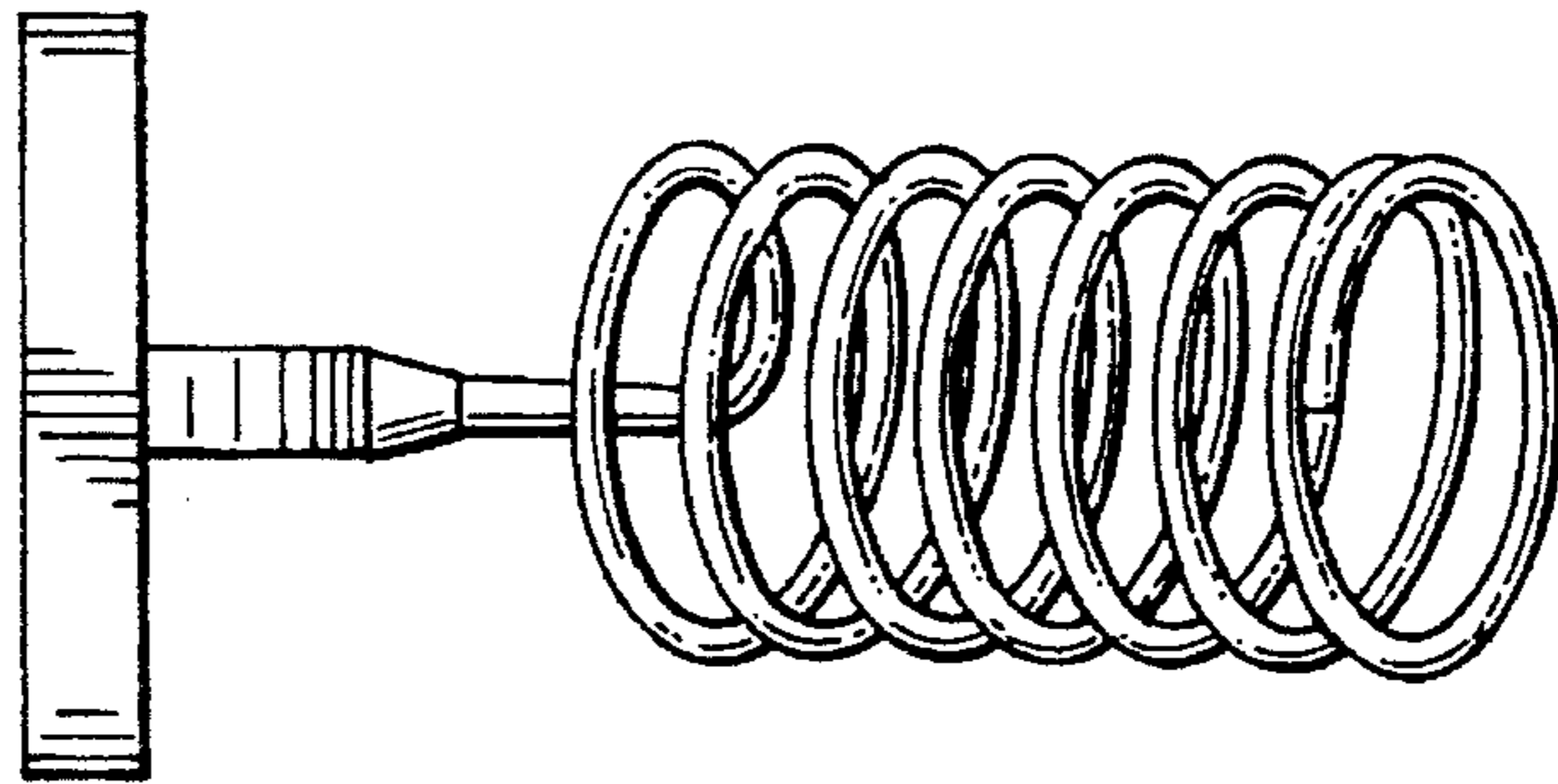


FIG. 2

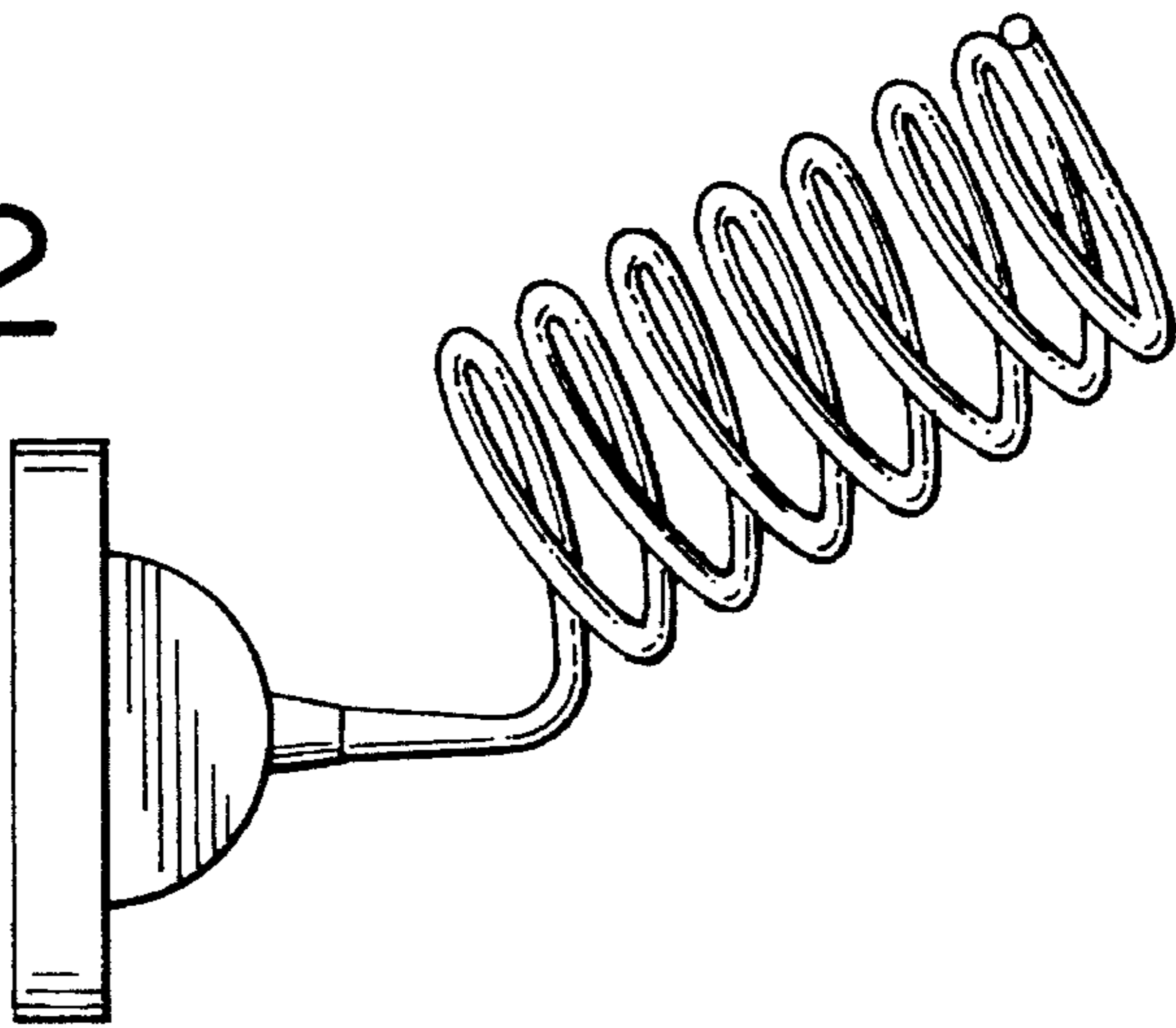


FIG. 4

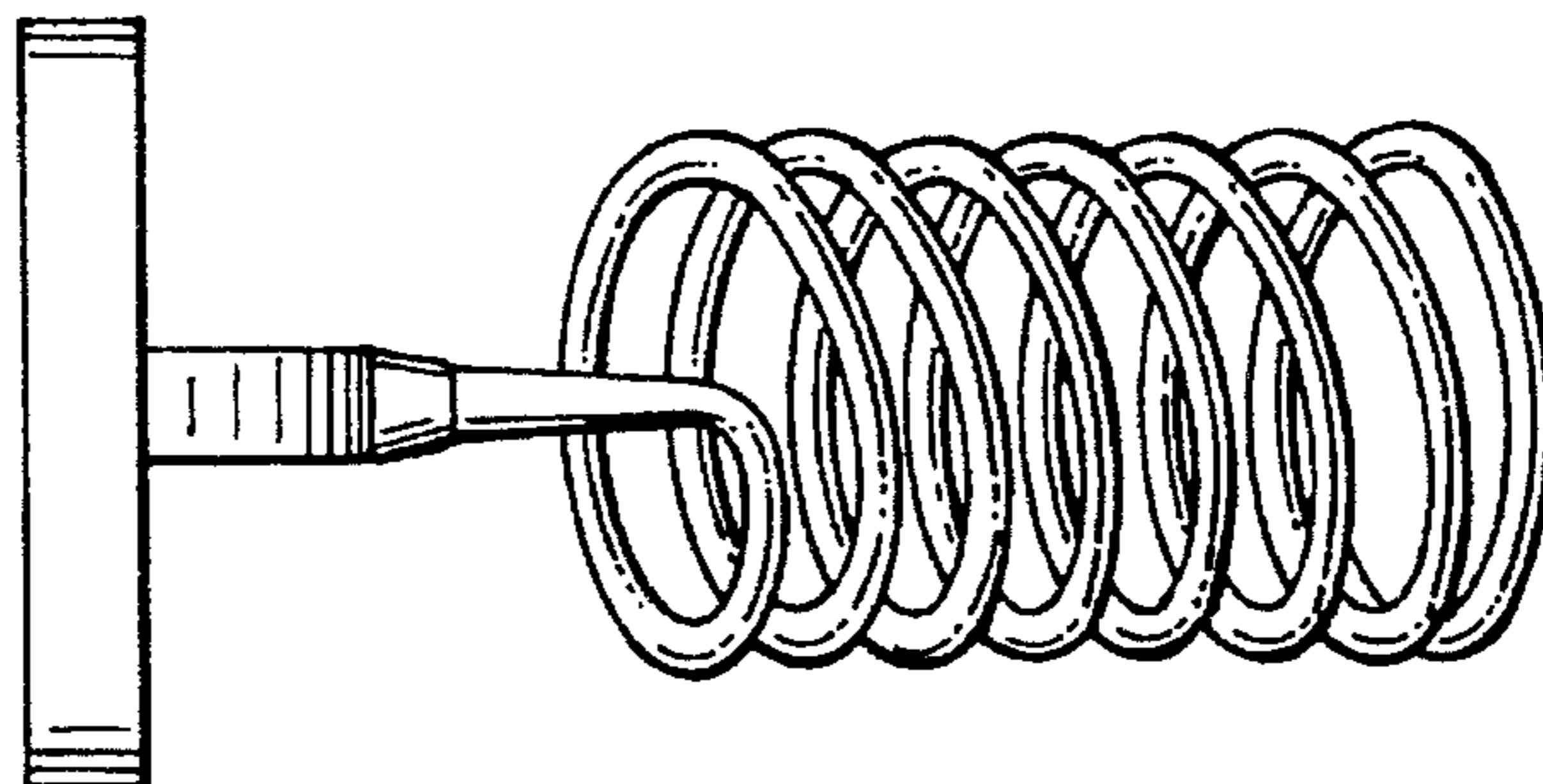


FIG. 5

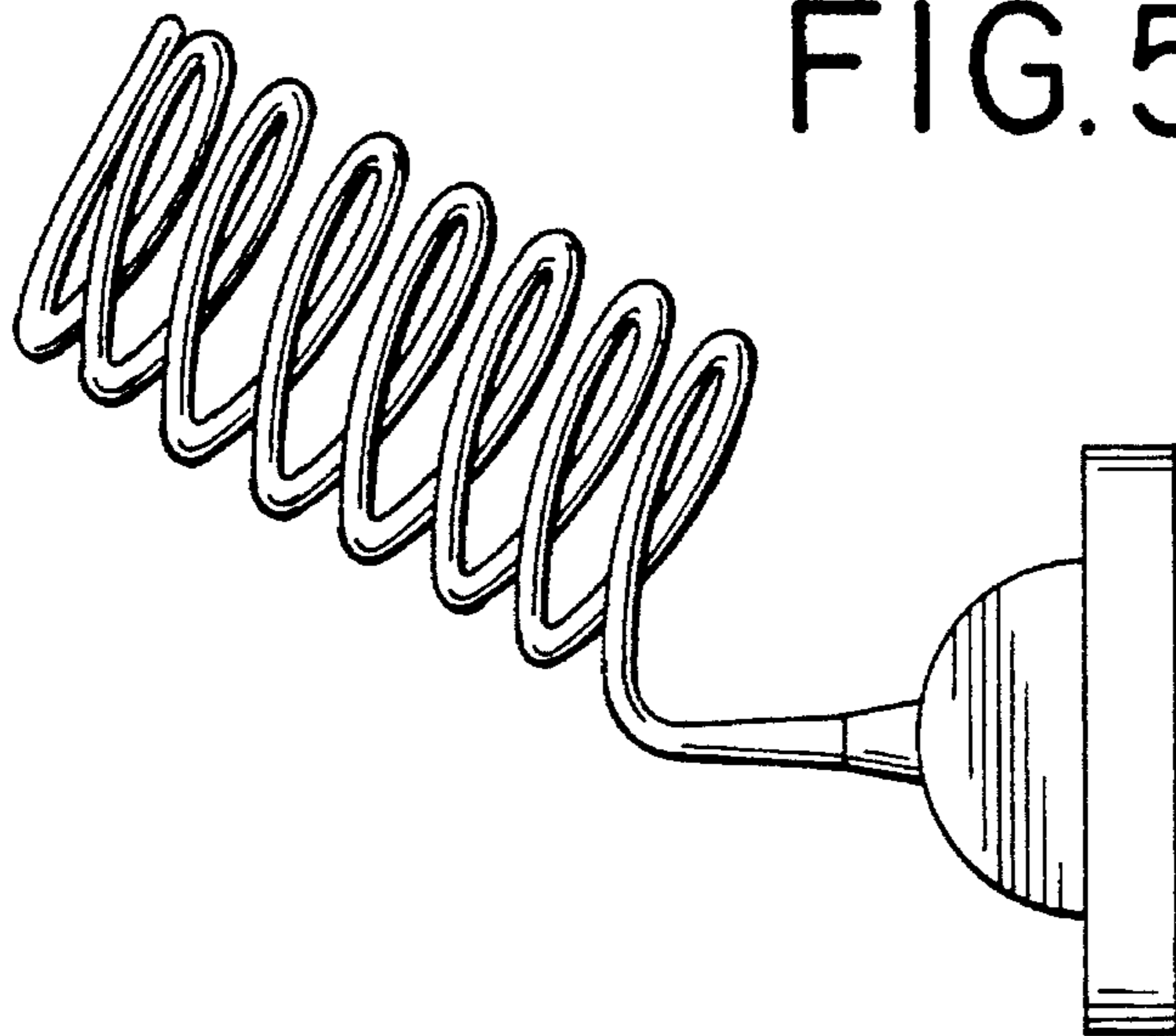


FIG. 6

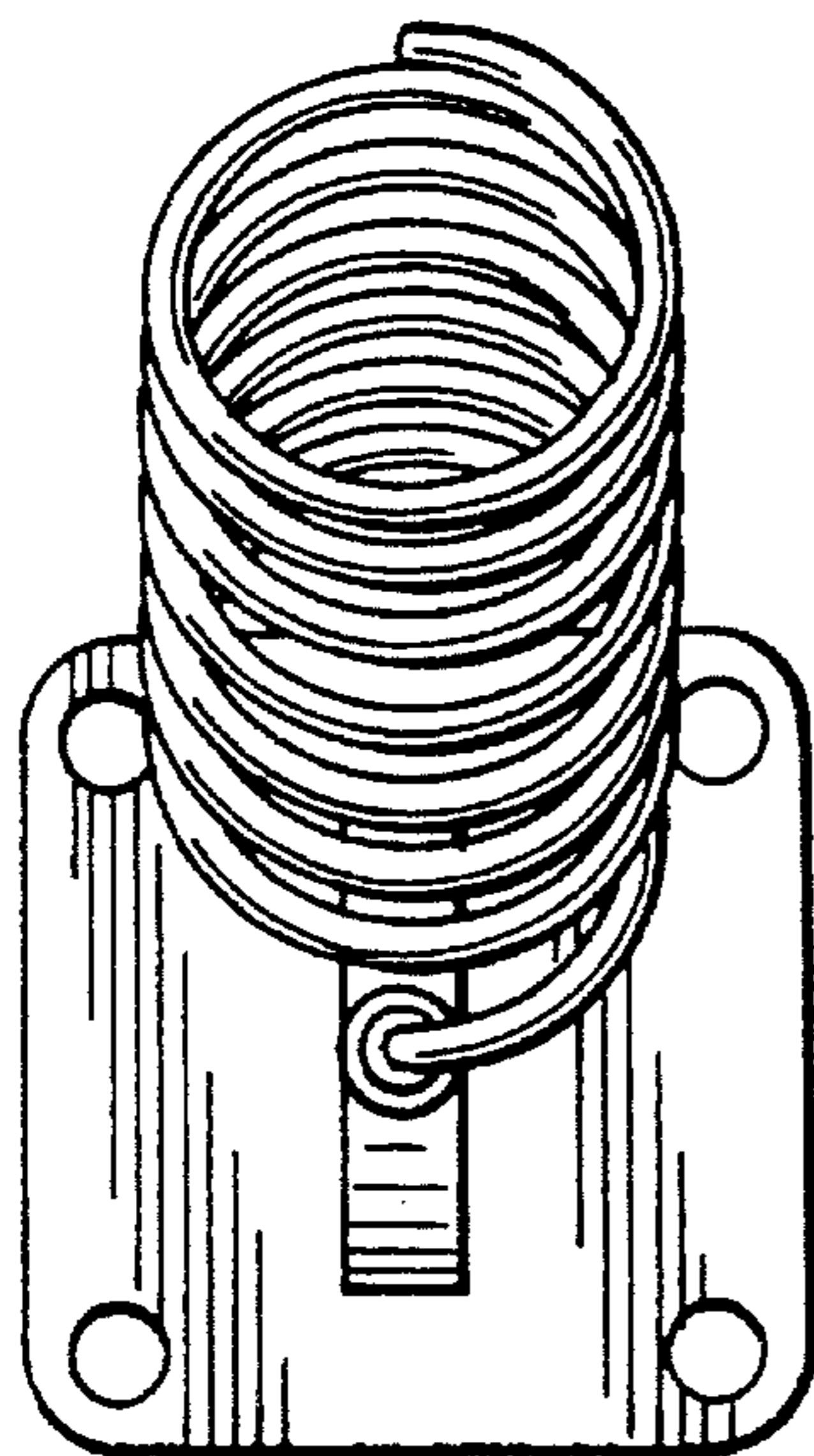


FIG. 7

