



US00D377693S

United States Patent [19]

Lecluze

[11] Patent Number: **Des. 377,693**

[45] Date of Patent: ****Jan. 28, 1997**

[54] **CEILING LAMP**

[76] Inventor: **Michel Lecluze**, 1009, rue du Parc Industriel, St-Jean-Chrysostome, Québec, Canada

[**] Term: **14 Years**

[21] Appl. No.: **38,814**

[22] Filed: **May 15, 1995**

[30] **Foreign Application Priority Data**

Apr. 19, 1995	[CA]	Canada	1995-0846
[52]	U.S. Cl.	D26/63	
[58]	Field of Search	D26/63, 65; 362/147,	
			362/404-408, 418, 419, 427, 267, 275,	
			287, 250	

[56] **References Cited**

U.S. PATENT DOCUMENTS

D. 370,076	5/1996	Lecluze	D26/63
4,199,803	4/1980	Hunt, III	362/147
5,349,513	9/1994	Taylor, III	362/404

OTHER PUBLICATIONS

Home Lighting & Accessories, Apr. 1994, p. 67, Futura & Flip Lighting Systems, spotlights (top, right).

Primary Examiner—Susan J. Lucas

Attorney, Agent, or Firm—Jean H. Dubuc

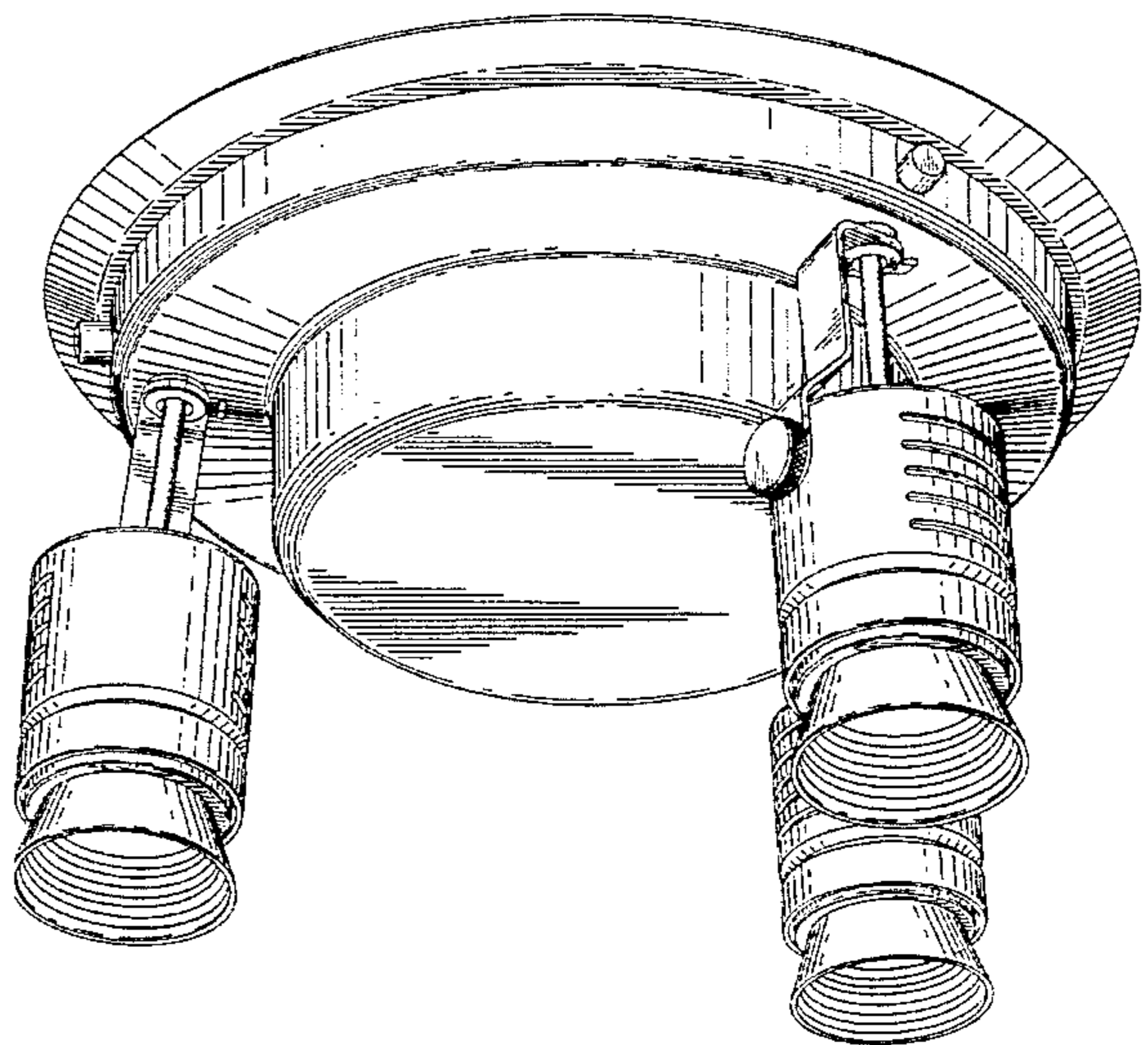
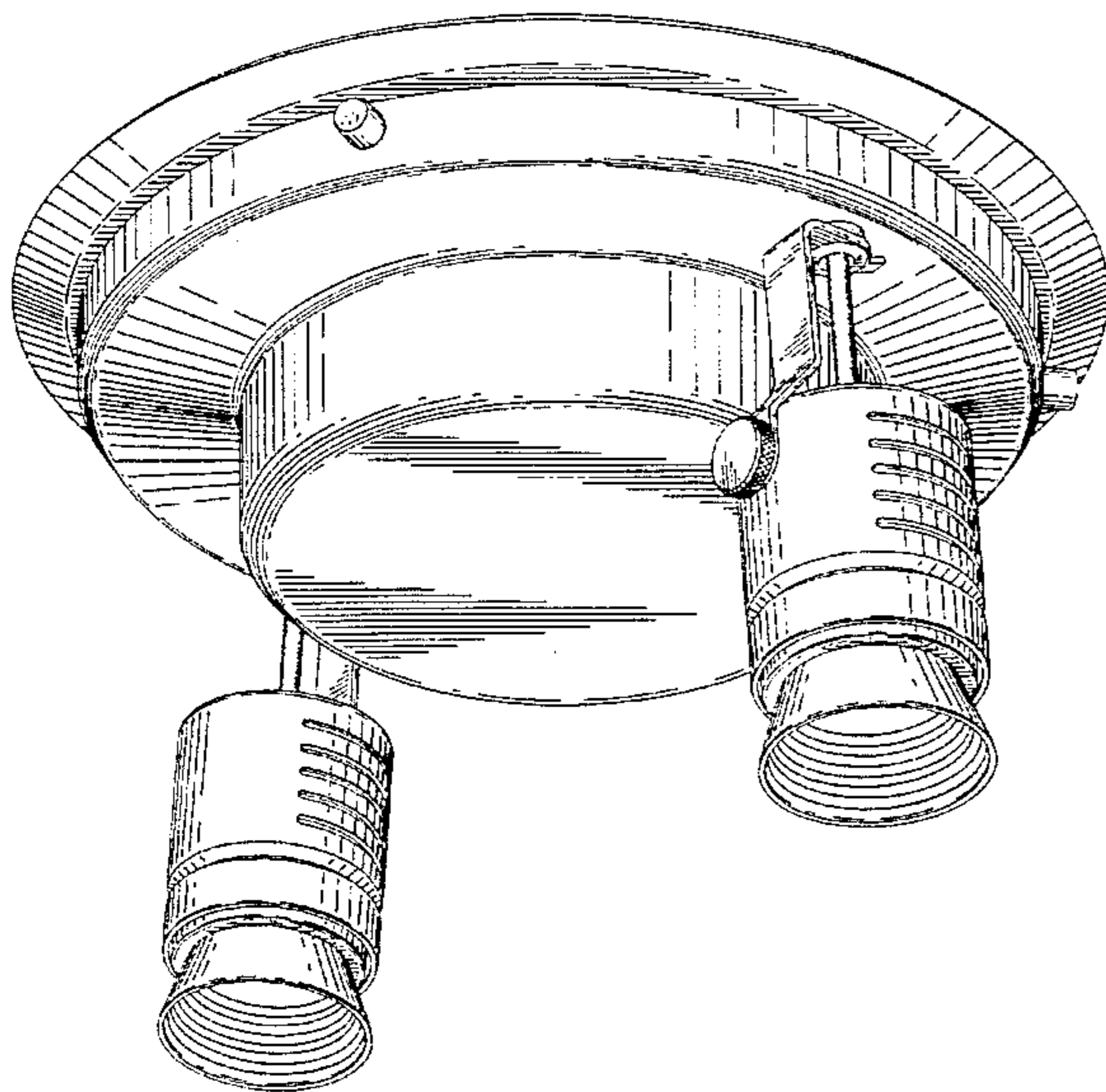
[57] **CLAIM**

The ornamental design for a ceiling lamp, as shown and described.

DESCRIPTION

FIG. 1 is a bottom perspective view of a ceiling lamp embodying my new design;
 FIG. 2 is an elevational view thereof;
 FIG. 3 is an elevational view thereof as seen 180° from that of FIG. 2;
 FIG. 4 is an elevational view thereof as seen from the right of FIG. 2;
 FIG. 5 is an elevational view thereof as seen from the left of FIG. 2;
 FIG. 6 is a bottom view thereof;
 FIG. 7 is a bottom perspective view of another embodiment of the ceiling lamp showing my new design;
 FIG. 8 is an elevational view thereof;
 FIG. 9 is an elevational view thereof as seen 180° from that of FIG. 8;
 FIG. 10 is an elevational view thereof as seen from the right of FIG. 8;
 FIG. 11 is an elevational view thereof as seen from the left of FIG. 8; and,
 FIG. 12 is a bottom view thereof.

1 Claim, 10 Drawing Sheets



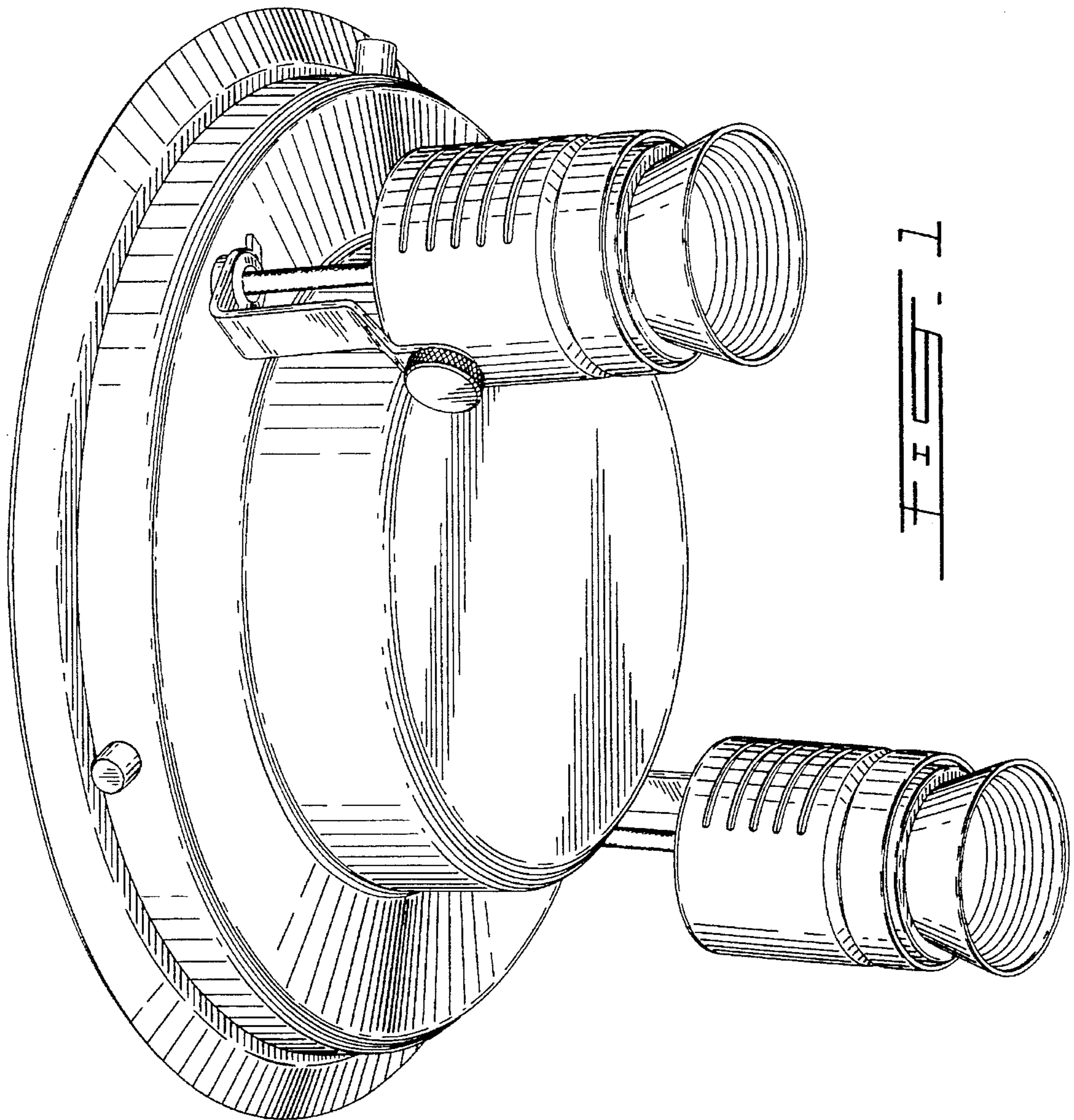


FIG. 1

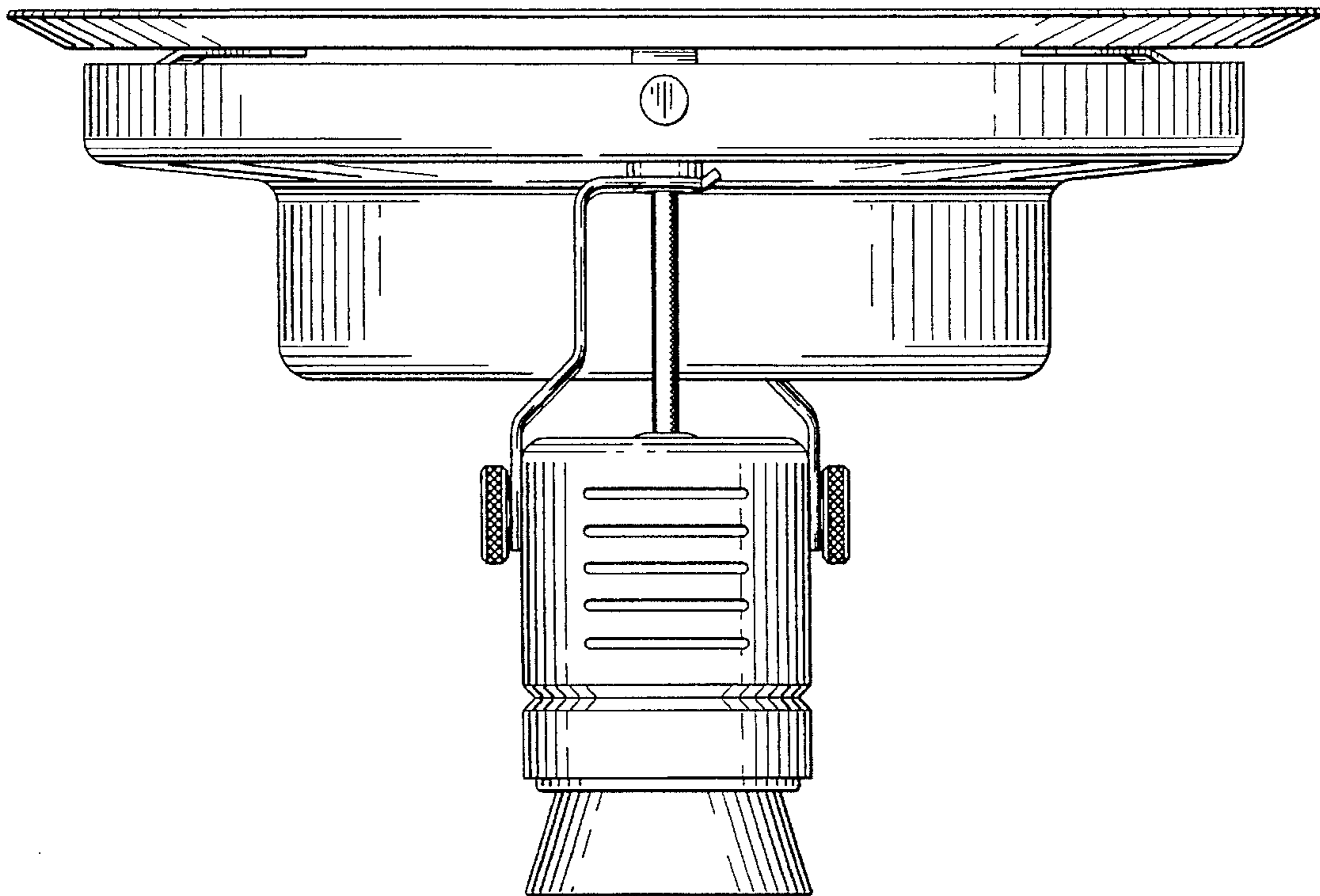


FIG. 2

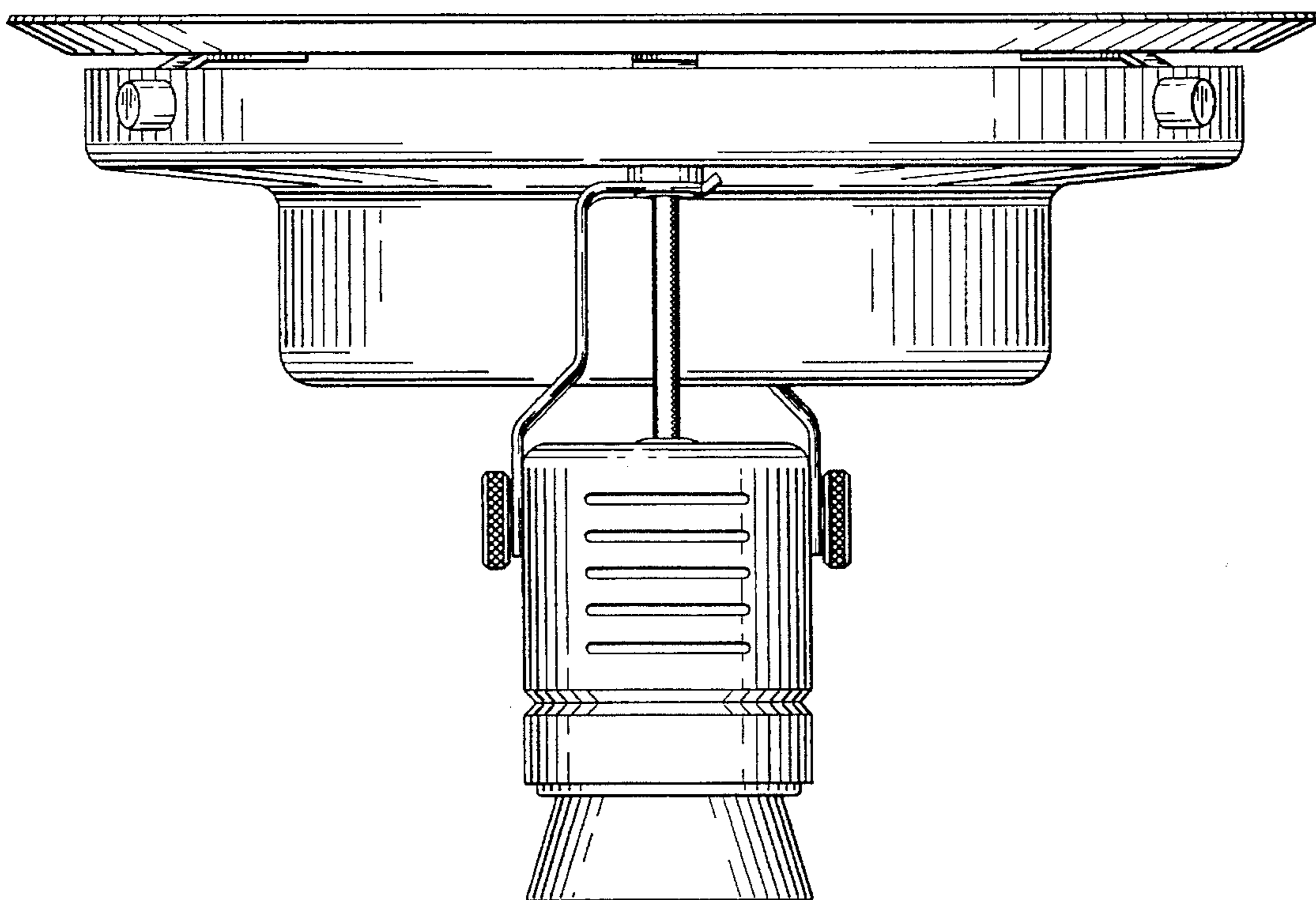
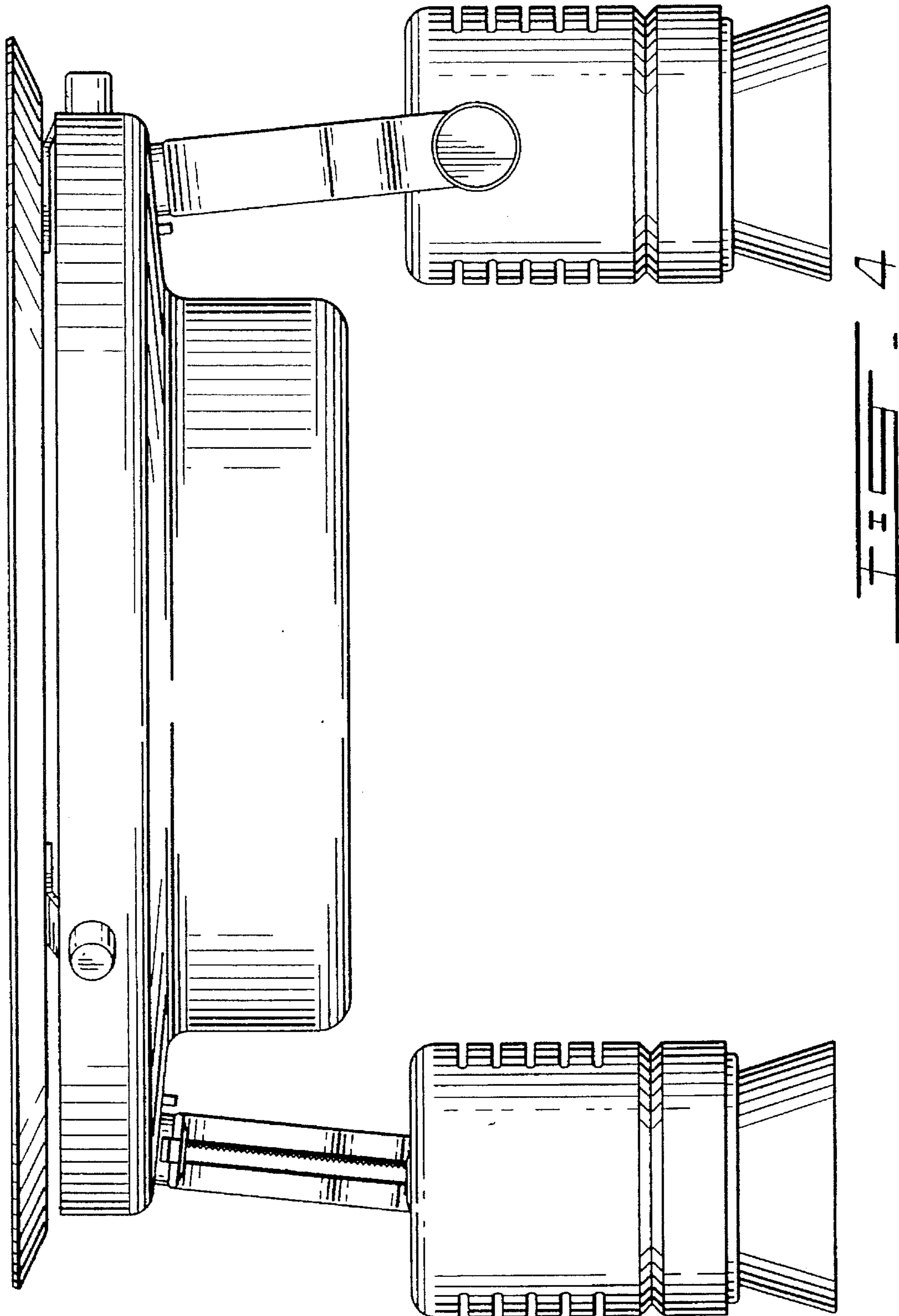
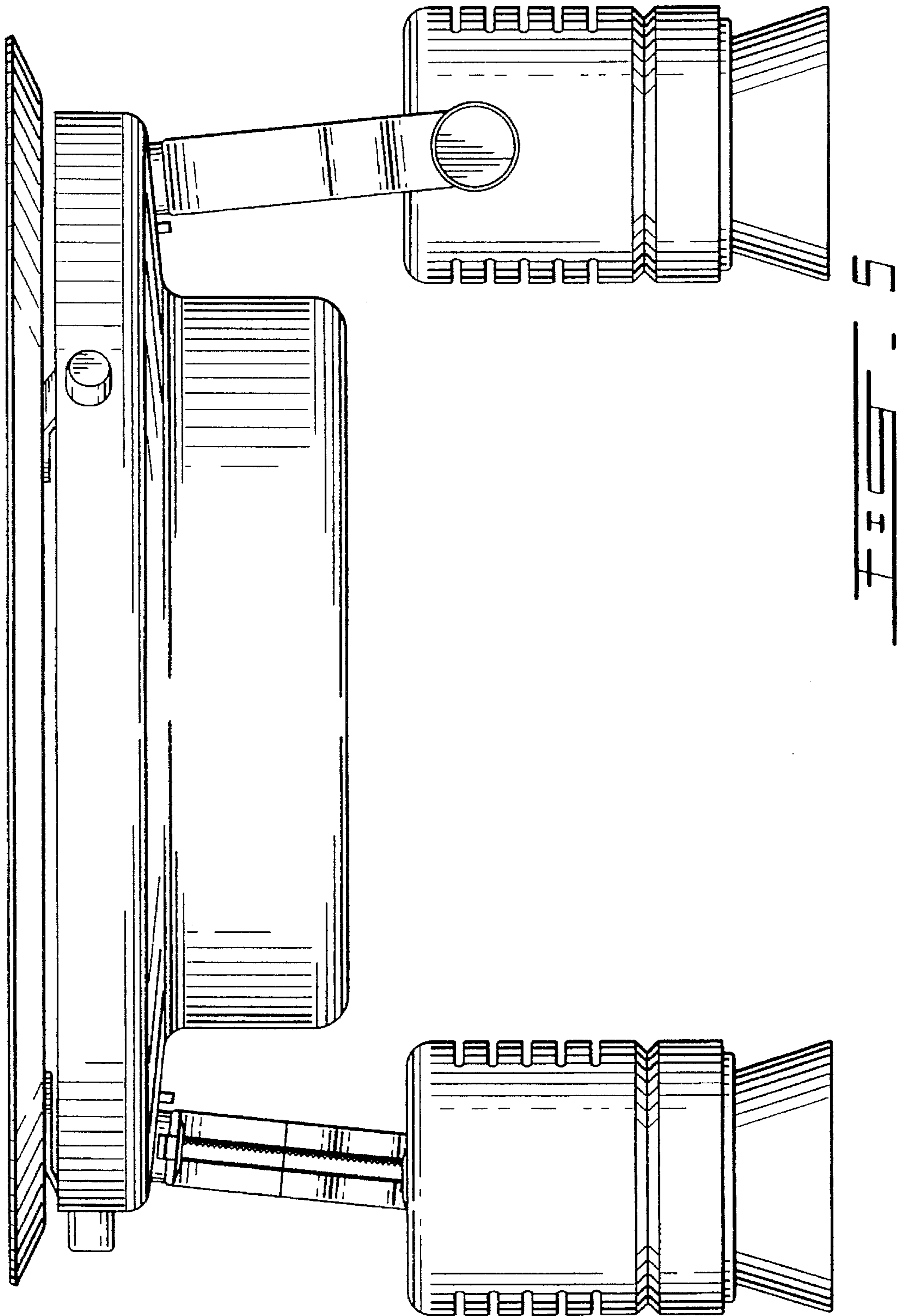


FIG. 3





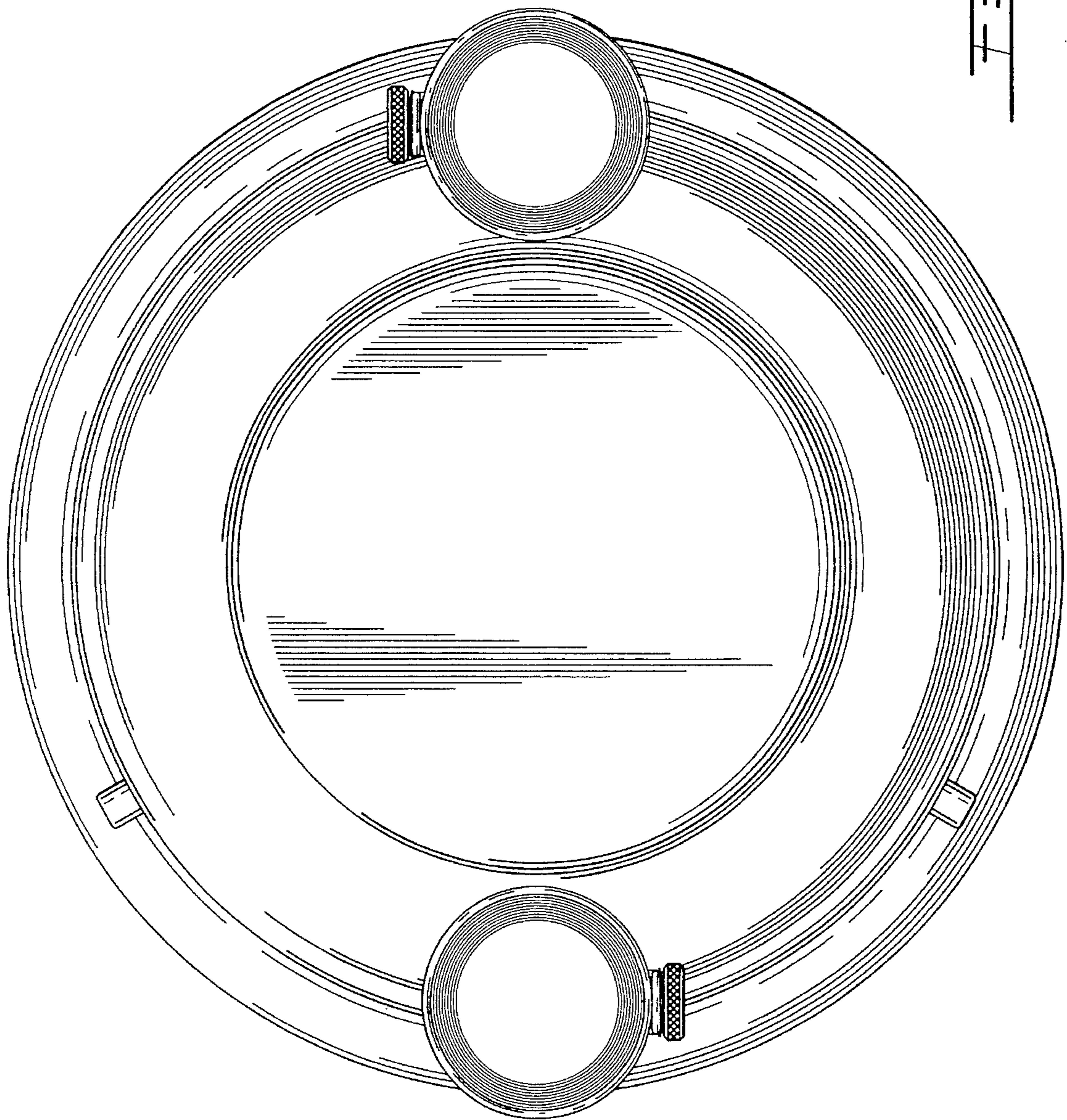


FIG. 5

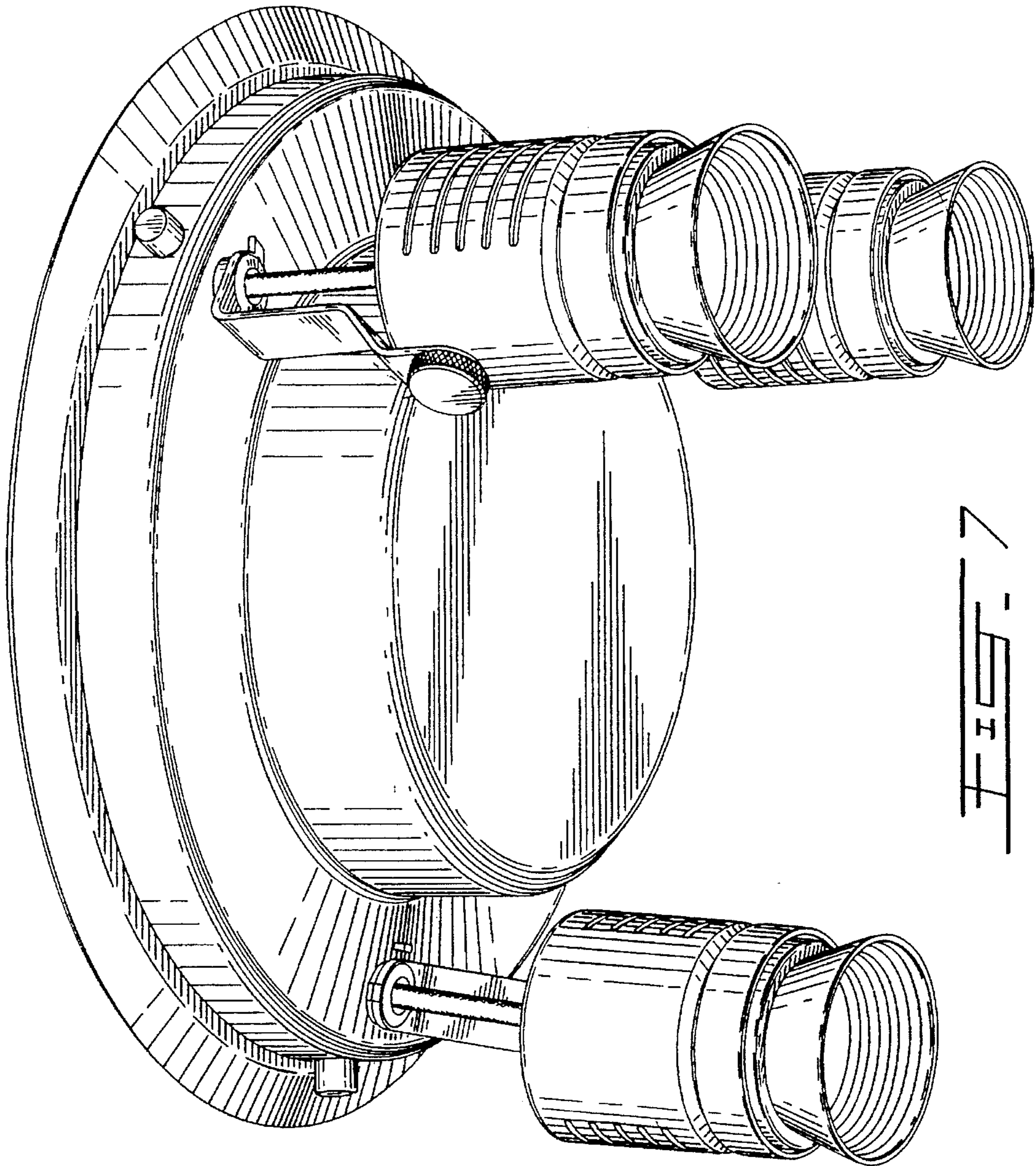
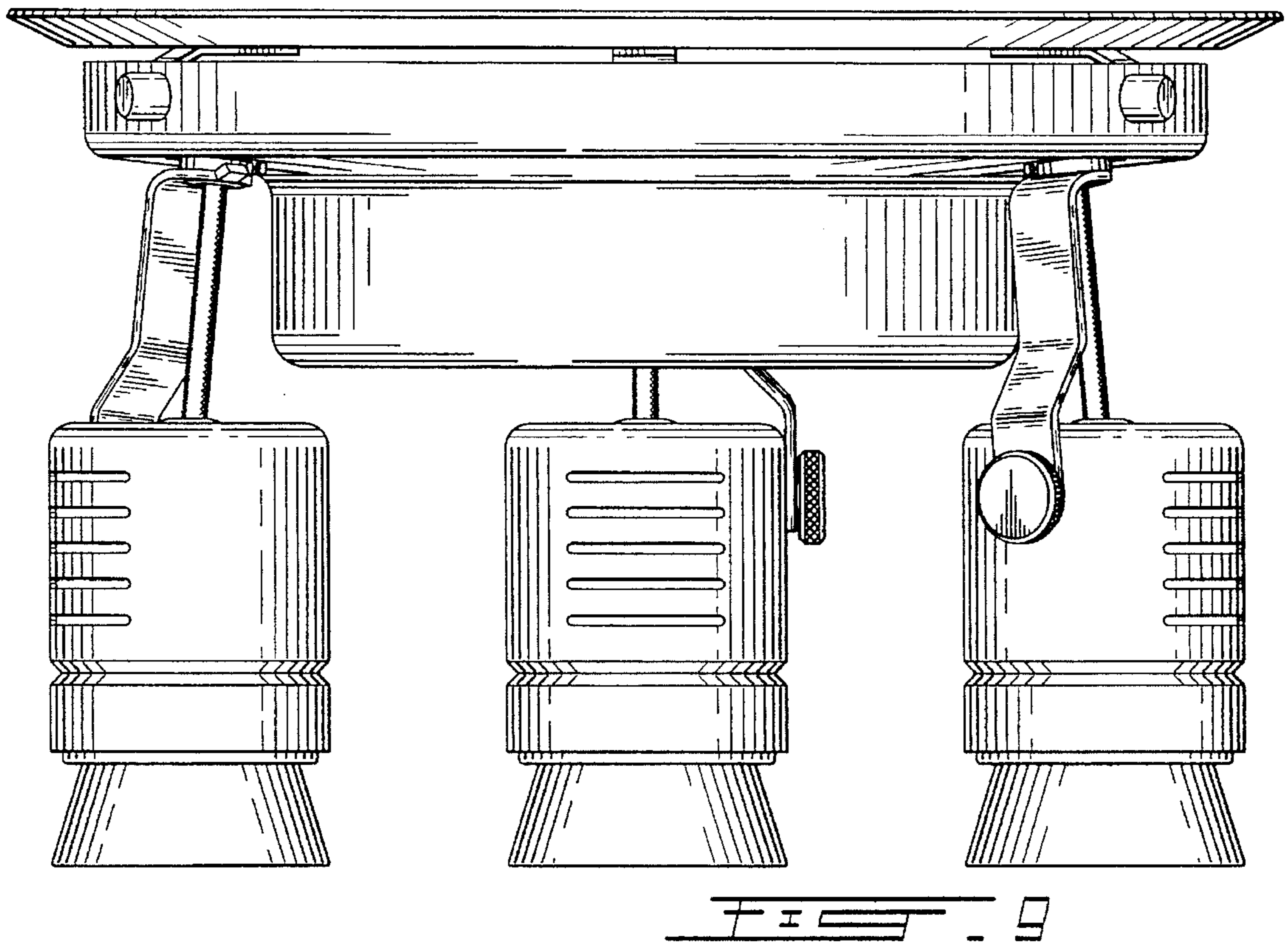
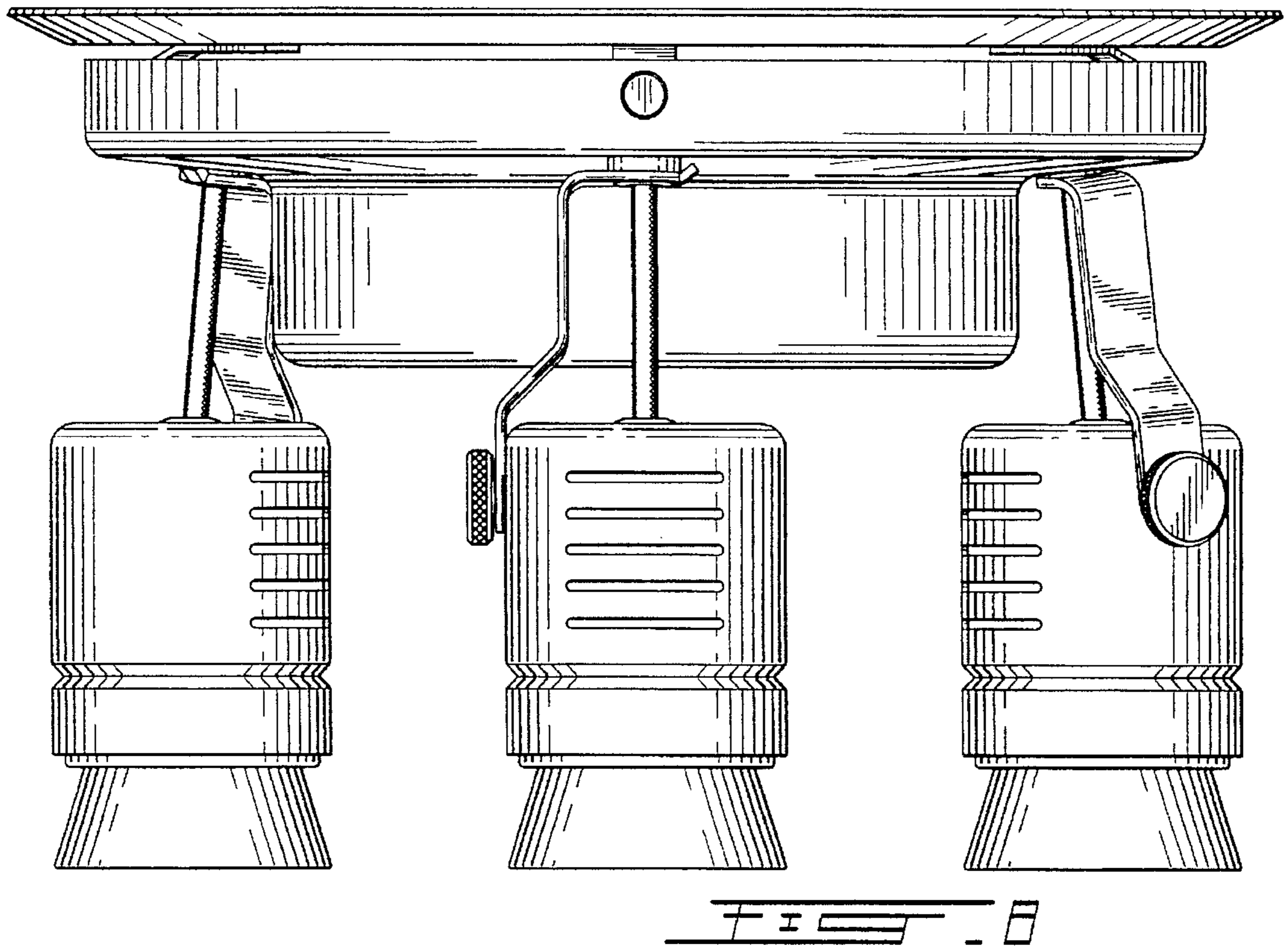


FIG. 7



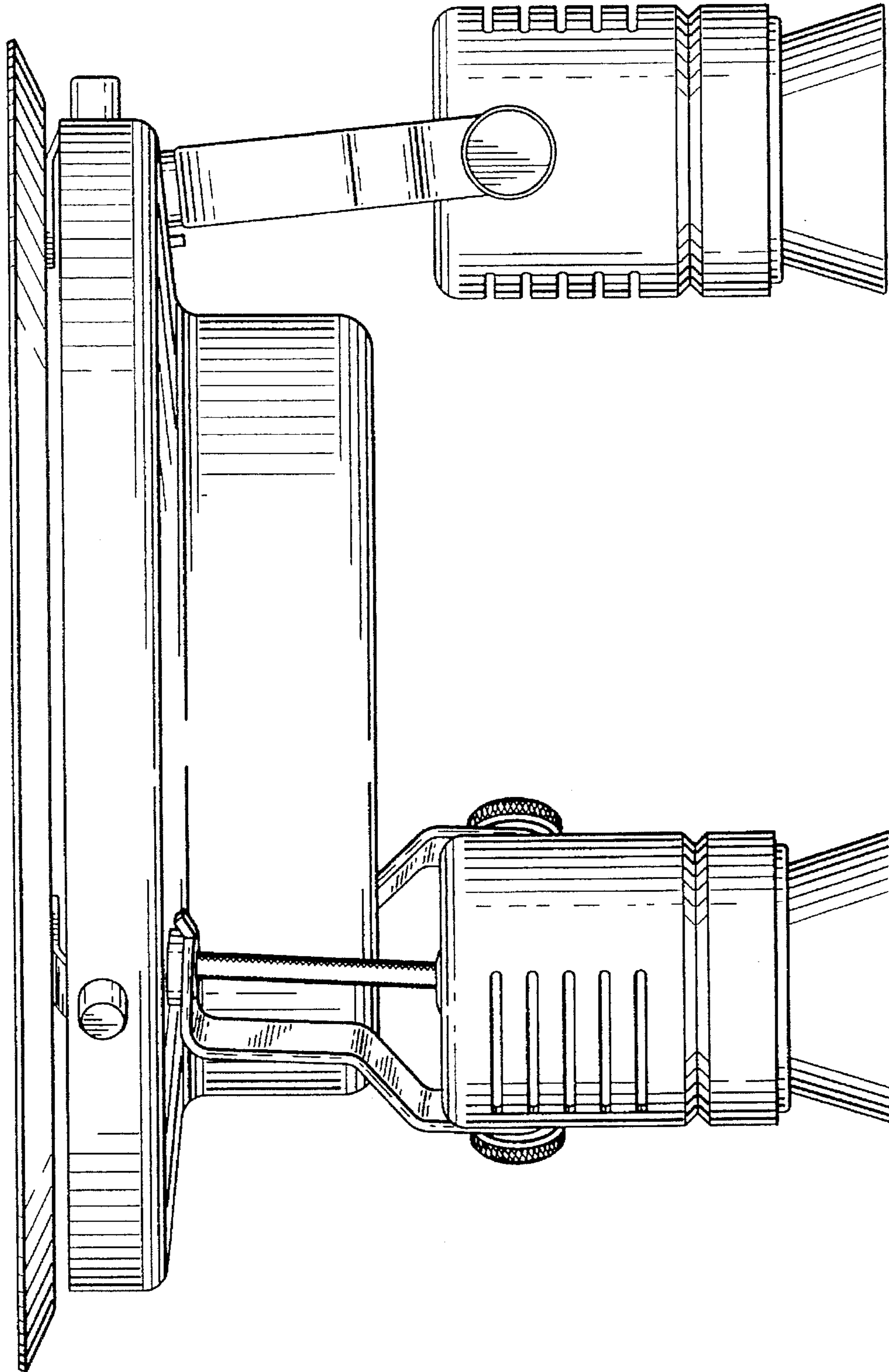
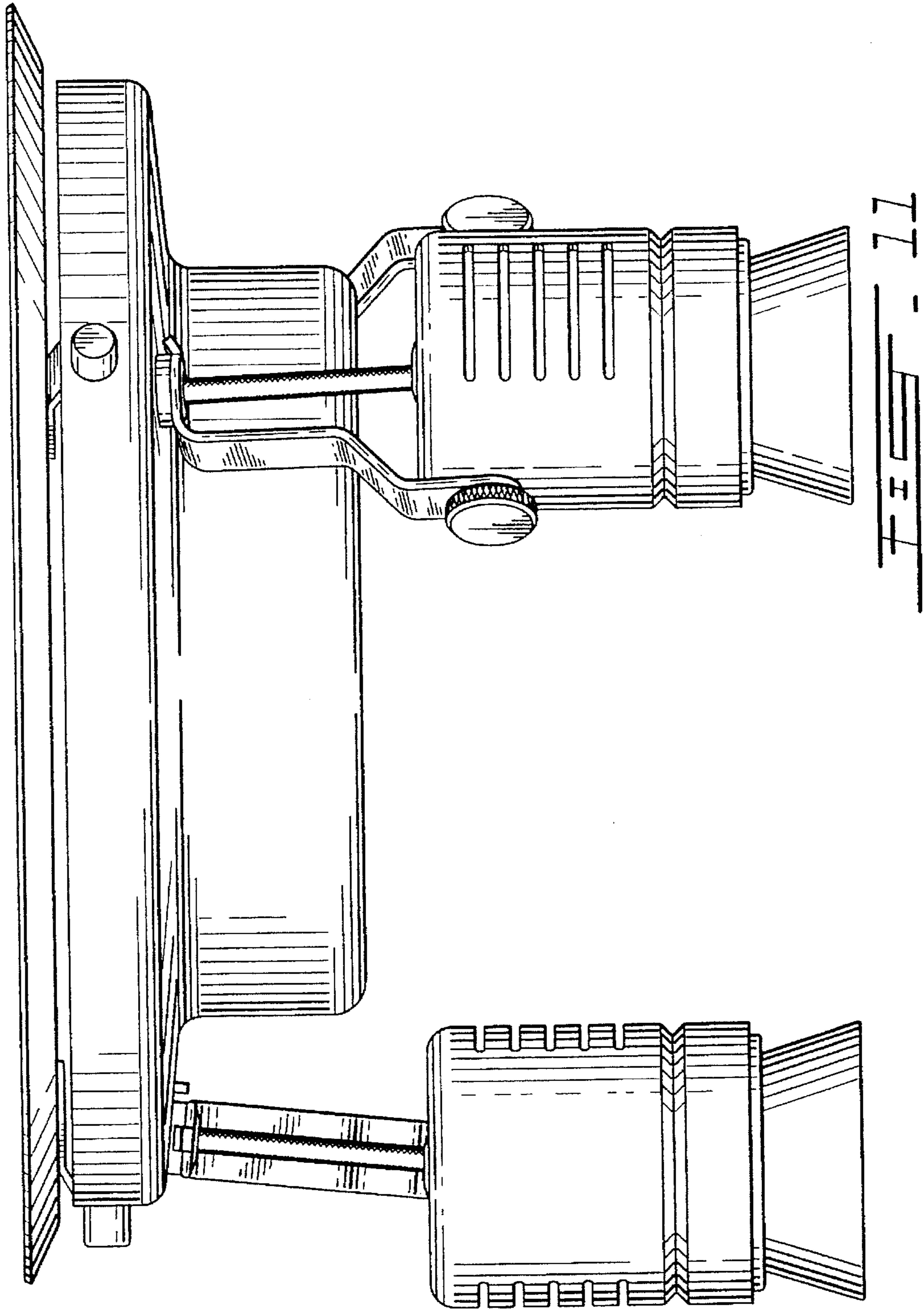


FIG. 10



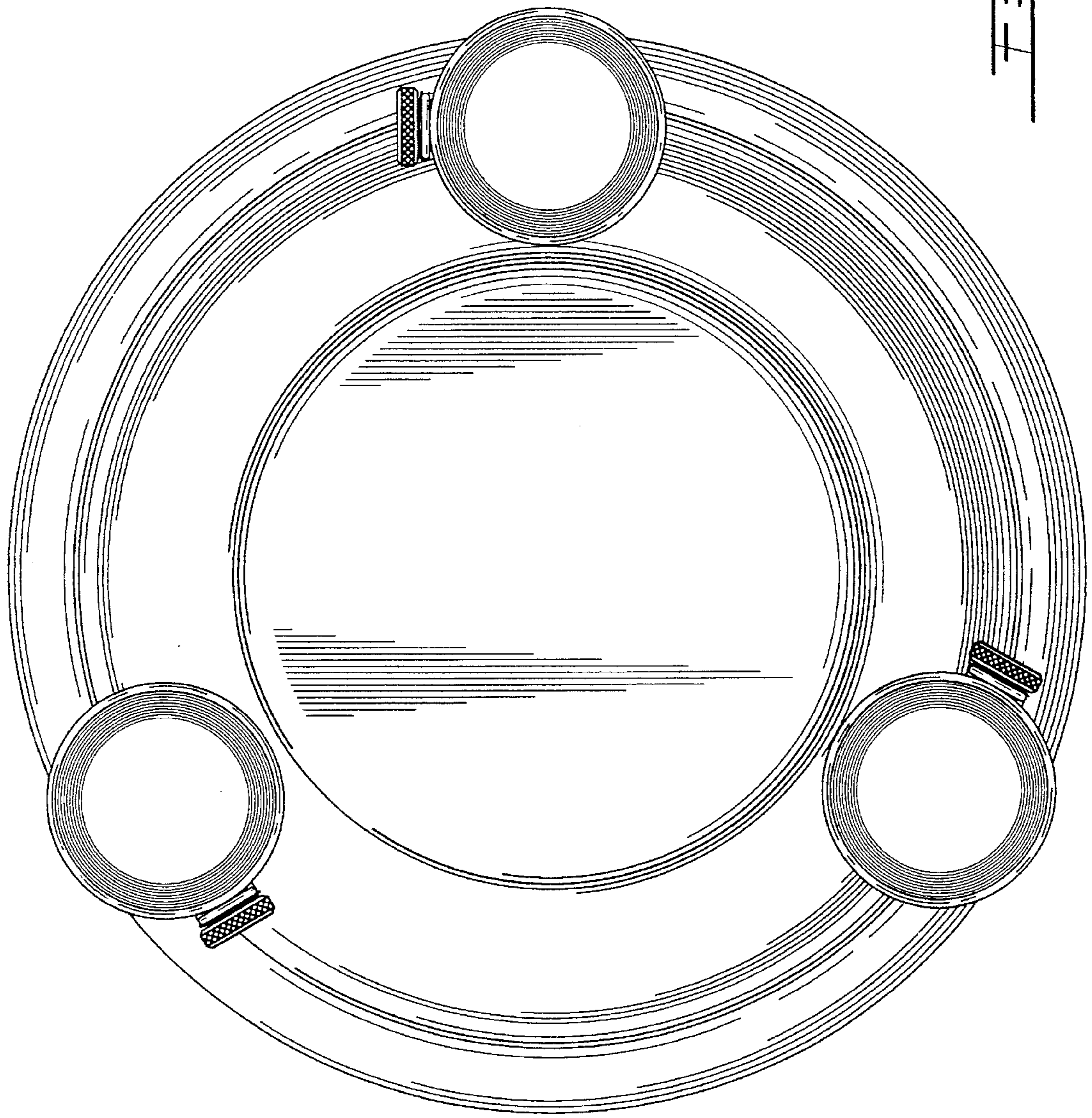


FIG. 12