



US00D377691S

# United States Patent [19]

Yuen

[11] Patent Number: **Des. 377,691**

[45] Date of Patent: **\*\*Jan. 28, 1997**

[54] **RADIO LANTERN**

[75] Inventor: **Se K. Yuen**, Kowloon, Hong Kong

[73] Assignee: **John Manufacturing Limited**,  
Kowloon, Hong Kong

[\*\*] Term: **14 Years**

[21] Appl. No.: **49,080**

[22] Filed: **Jan. 16, 1996**

### [30] Foreign Application Priority Data

Sep. 6, 1995 [GB] United Kingdom ..... 2050201

[52] U.S. Cl. .... **D26/38**

[58] Field of Search ..... D26/37-50, 52;  
D14/168; 455/350, 351; 362/86, 87, 157,  
158, 183, 184, 187-191, 194-200

### [56] References Cited

#### U.S. PATENT DOCUMENTS

D. 296,243 6/1988 Ohashi ..... D26/38  
D. 302,013 7/1989 Yuen ..... D26/38  
D. 303,294 9/1989 Yurkovic ..... D26/38

D. 321,263 10/1991 Yuen ..... D26/38  
D. 332,319 1/1993 Yuen ..... D26/38  
D. 341,900 11/1993 Yuen ..... D26/38  
D. 344,358 2/1994 Yuen ..... D26/38  
D. 364,869 12/1995 Lam ..... D26/38  
D. 368,783 4/1996 Peersmann ..... D26/38

*Primary Examiner*—Marcus A. Jackson  
*Attorney, Agent, or Firm*—Merchant, Gould, Smith, Edell,  
Welter & Schmidt, P.A.

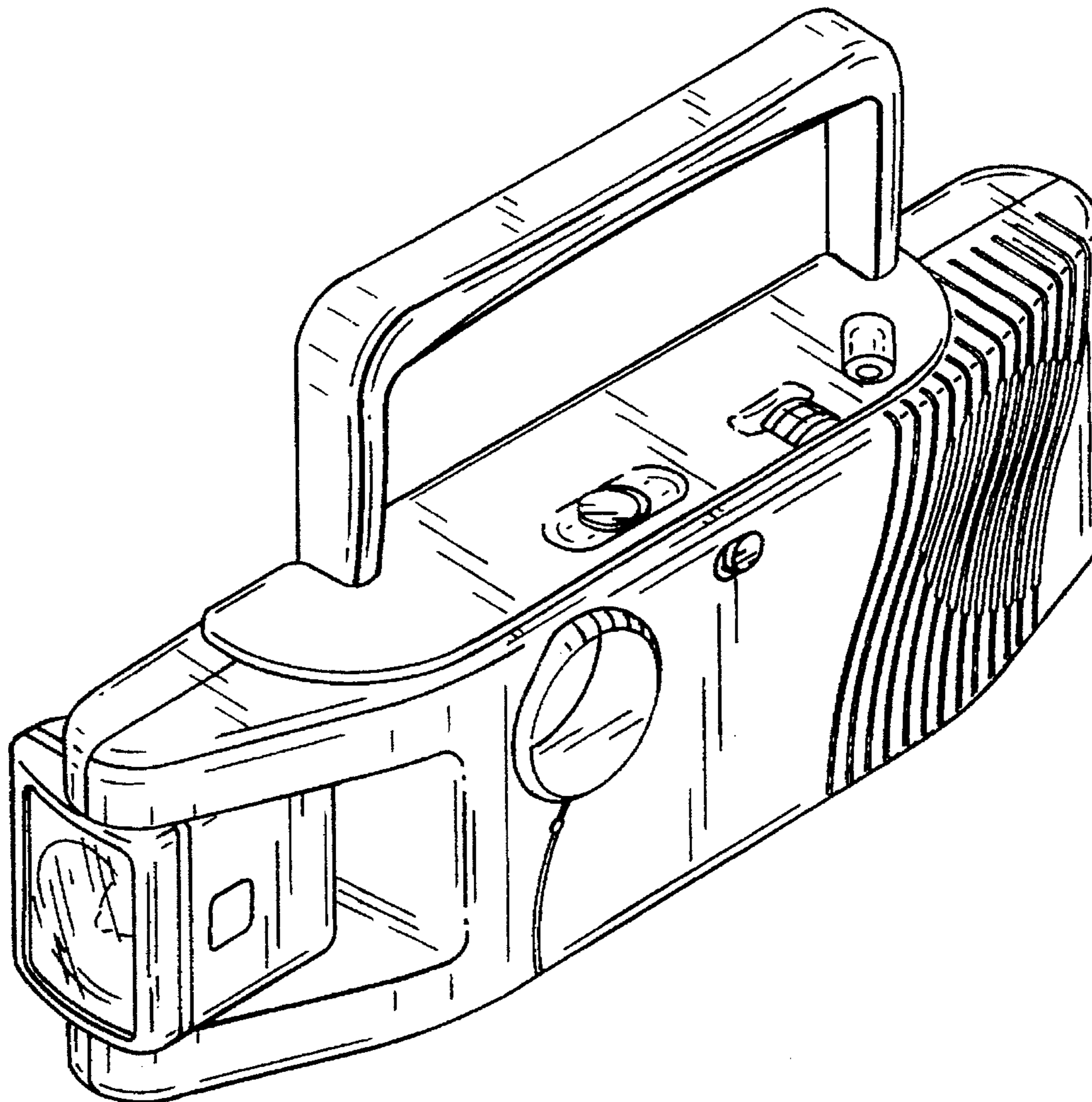
### [57] CLAIM

The ornamental design for a radio lantern, as shown.

### DESCRIPTION

FIG. 1 is a perspective view of a radio lantern showing my new design;  
FIG. 2 is a front elevational view thereof;  
FIG. 3 is a top plan view thereof;  
FIG. 4 is a bottom plan view thereof;  
FIG. 5 is a rear elevational view thereof;  
FIG. 6 is a right side elevational view thereof; and,  
FIG. 7 is a left side elevational view thereof.

**1 Claim, 3 Drawing Sheets**



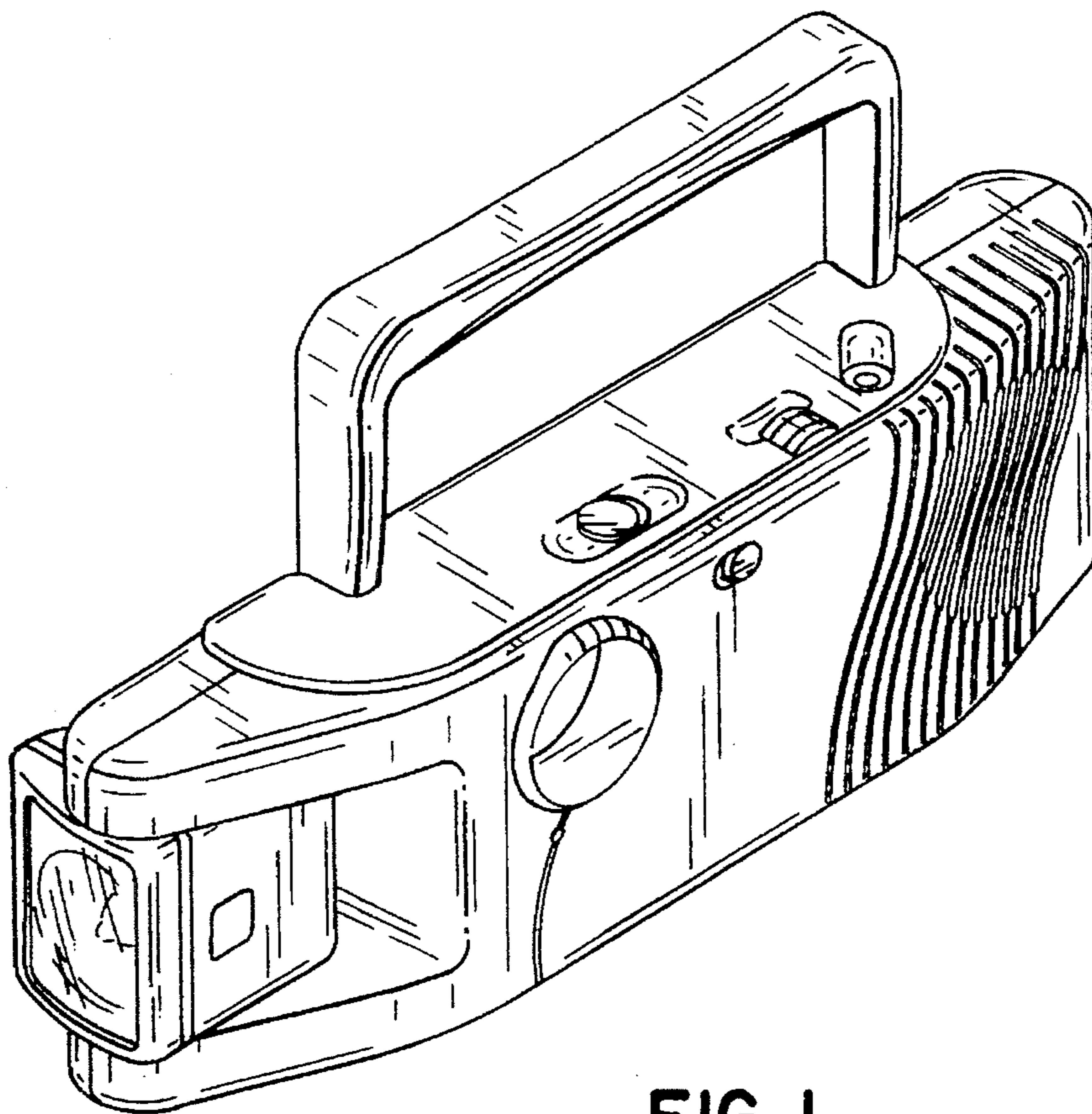


FIG. 1

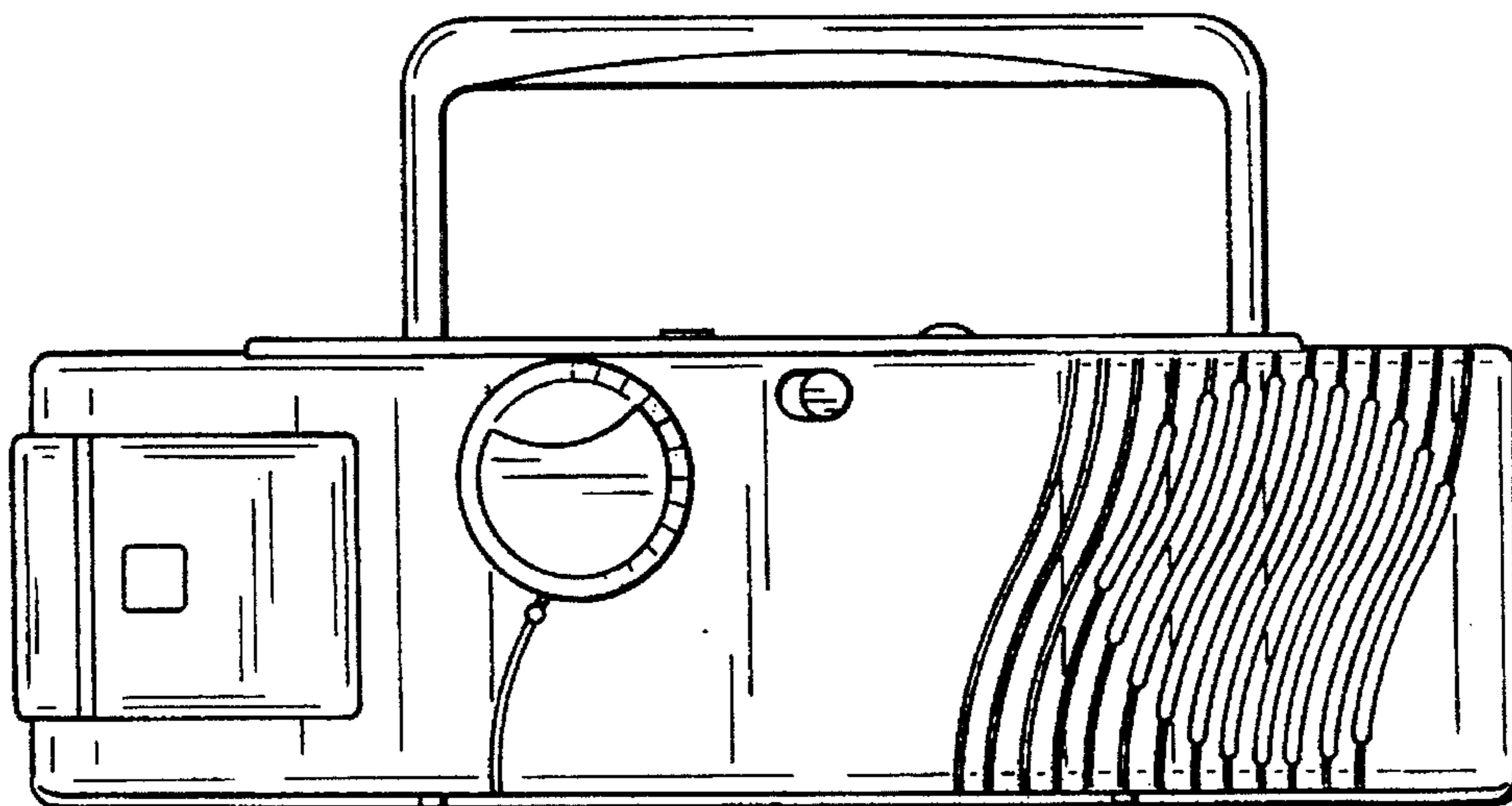


FIG. 2

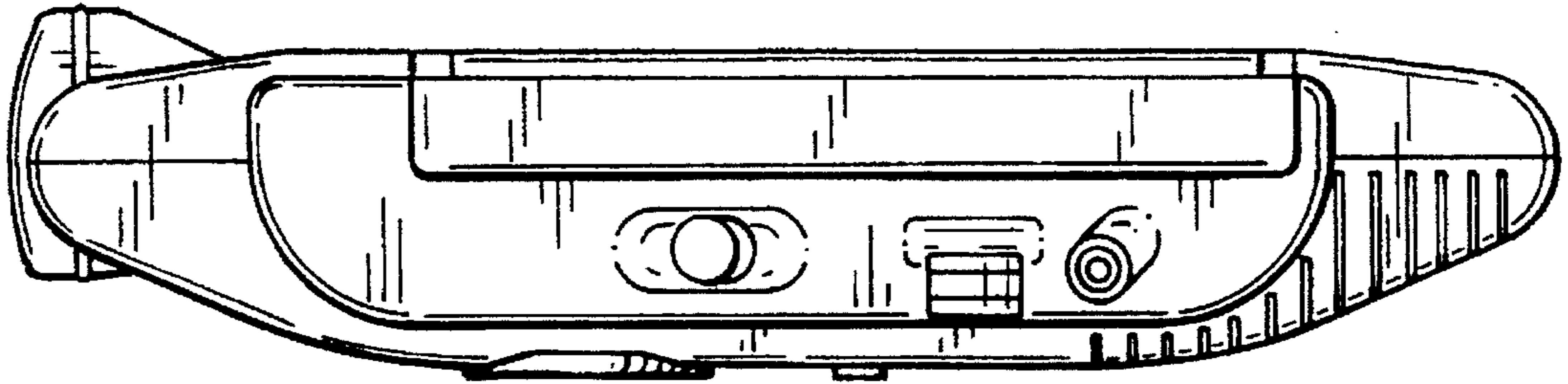


FIG. 3

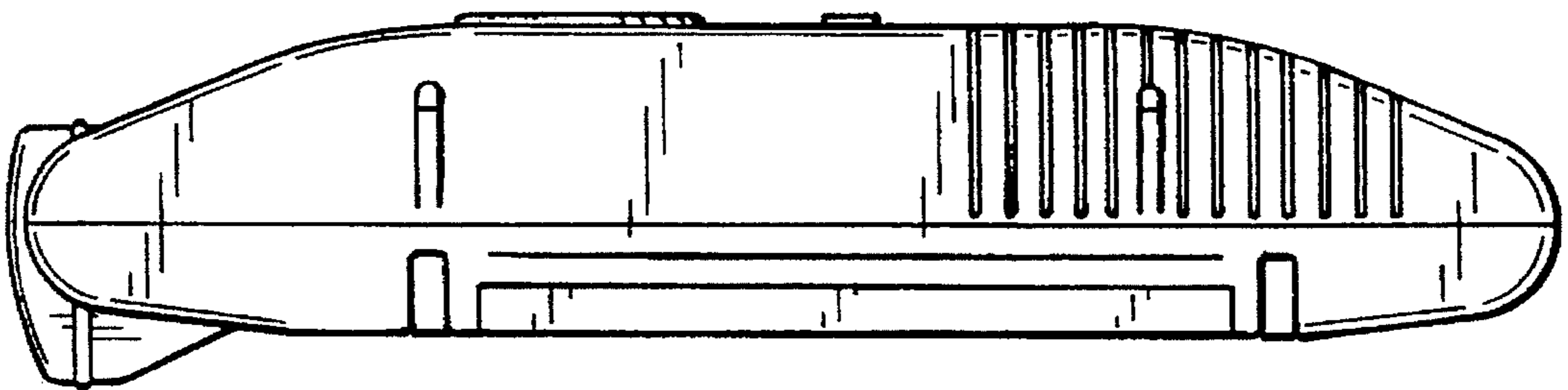


FIG. 4

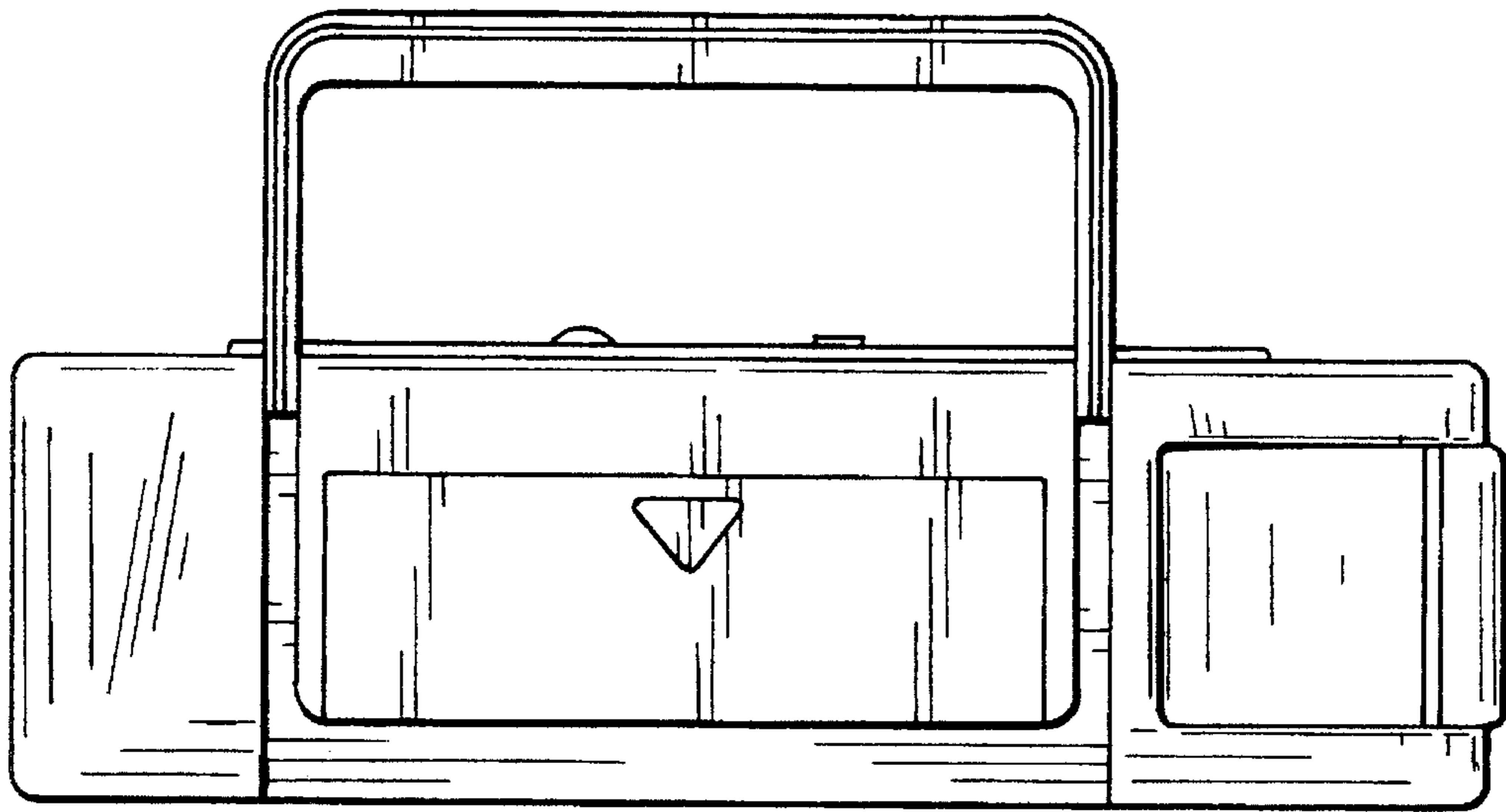


FIG. 5

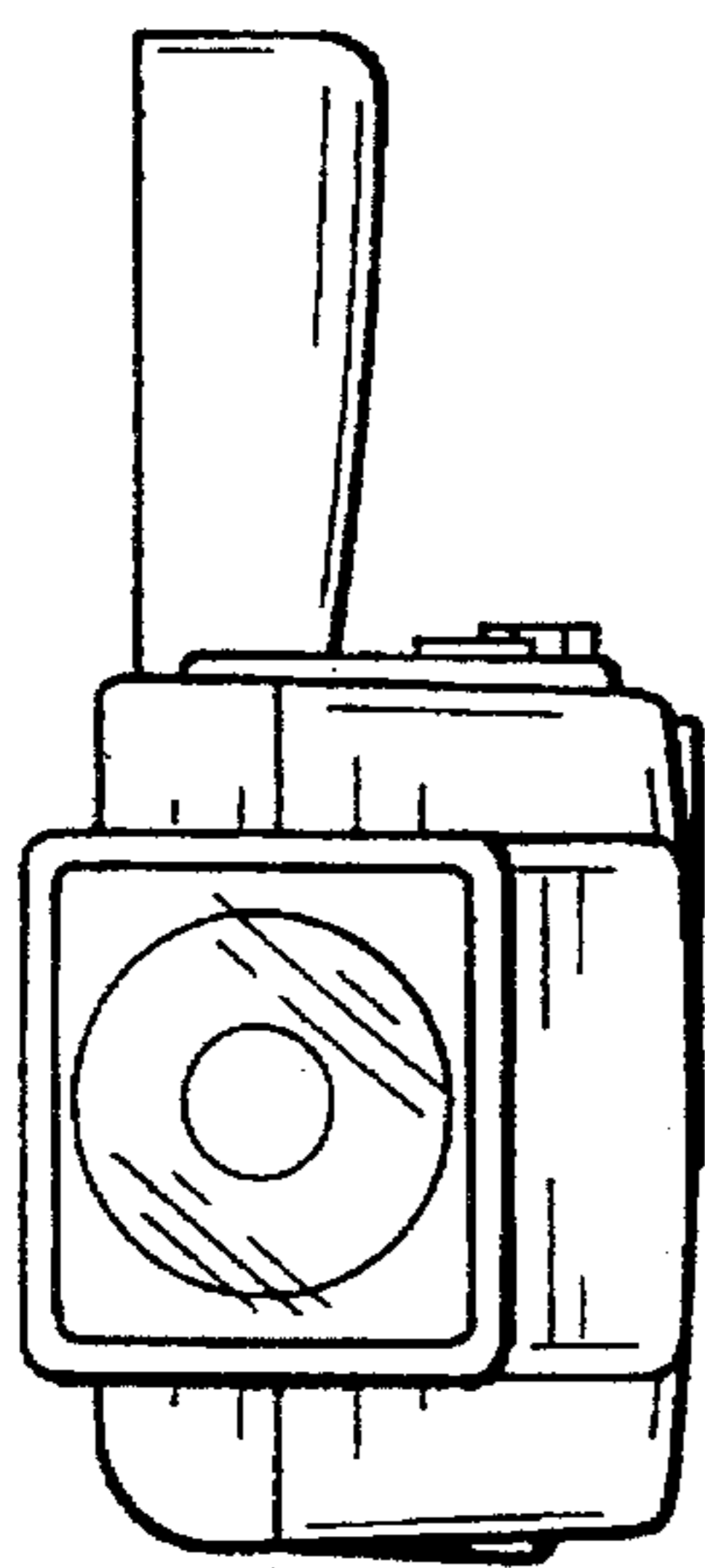


FIG. 6

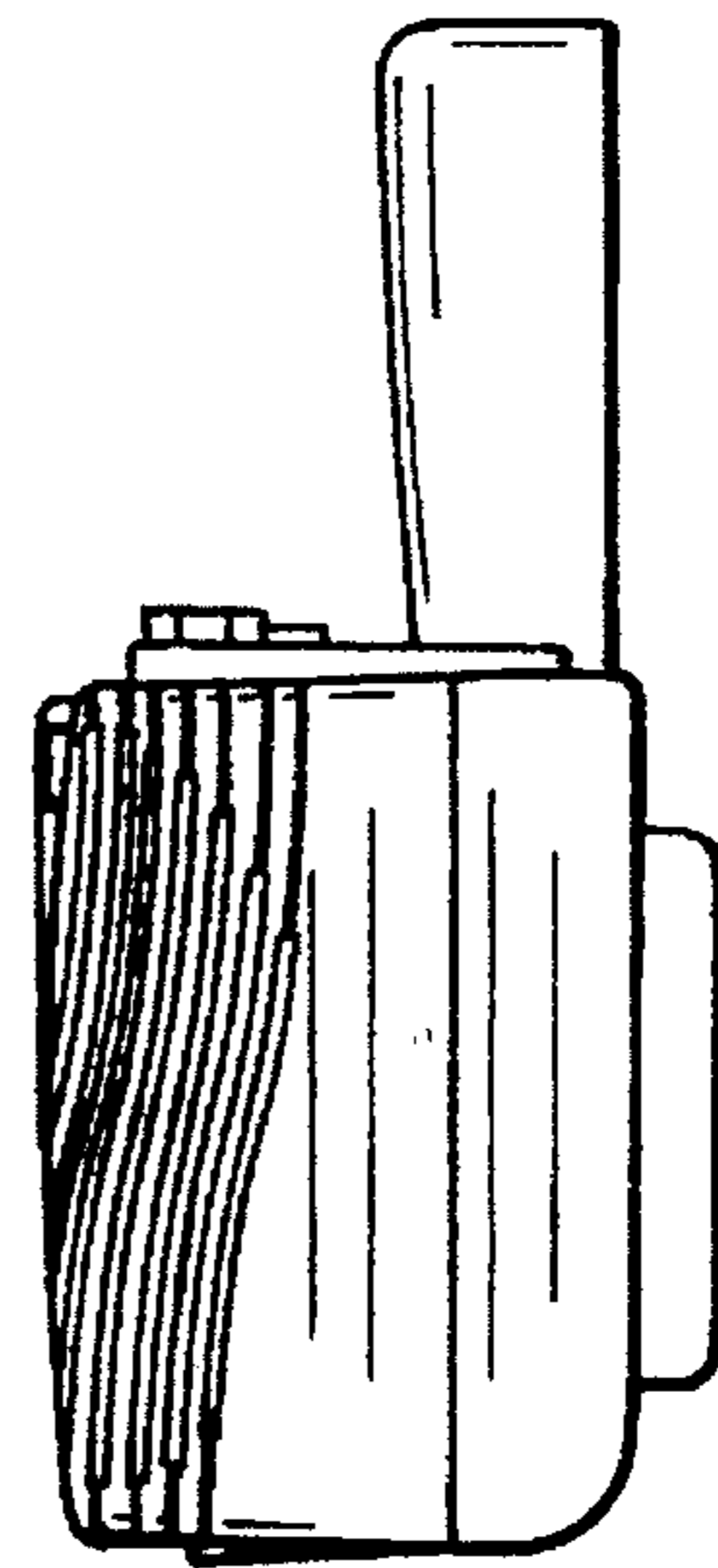


FIG. 7