



US00D377690S

United States Patent [19]

[11] **Patent Number: Des. 377,690**

Matsumura et al.

[45] **Date of Patent: **Jan. 28, 1997**

[54] **FLUORESCENT LAMP**

FOREIGN PATENT DOCUMENTS

[75] Inventors: **Takeshi Matsumura**, Osaka; **Masashi Sangen**, Hyogo, both of Japan

526540 12/1980 Japan .
630835 8/1984 Japan .
680763 6/1986 Japan .

[73] Assignee: **Matsushita Electronics Corporation**, Osaka, Japan

Primary Examiner—Susan J. Lucas
Attorney, Agent, or Firm—Sughrue, Mion, Zinn, Macpeak & Seas

[**] Term: **14 Years**

[57] **CLAIM**

[21] Appl. No.: **43,055**

The ornamental design for a fluorescent lamp, as shown.

[22] Filed: **Aug. 24, 1995**

DESCRIPTION

[30] **Foreign Application Priority Data**

Mar. 24, 1995 [JP] Japan 7-7925
[52] **U.S. Cl.** **D26/26; D26/79**
[58] **Field of Search** 362/226, 147,
362/216; D26/26, 75-79

FIG. 1 is a perspective view of the bottom and front of a fluorescent lamp showing our new design;
FIG. 2 is a front elevational view thereof;
FIG. 3 is a rear elevational view thereof;
FIG. 4 is a top plan view thereof;
FIG. 5 is a side elevational view of one side thereof;
FIG. 6 is a side elevational view of the opposite side thereof;
and,
FIG. 7 is a bottom plan view thereof.

[56] **References Cited**

U.S. PATENT DOCUMENTS

D. 253,014 9/1979 Shiibashi D26/26
D. 268,954 5/1983 Roche D26/26 X
4,410,834 10/1983 Witte et al. 362/216 X

1 Claim, 3 Drawing Sheets

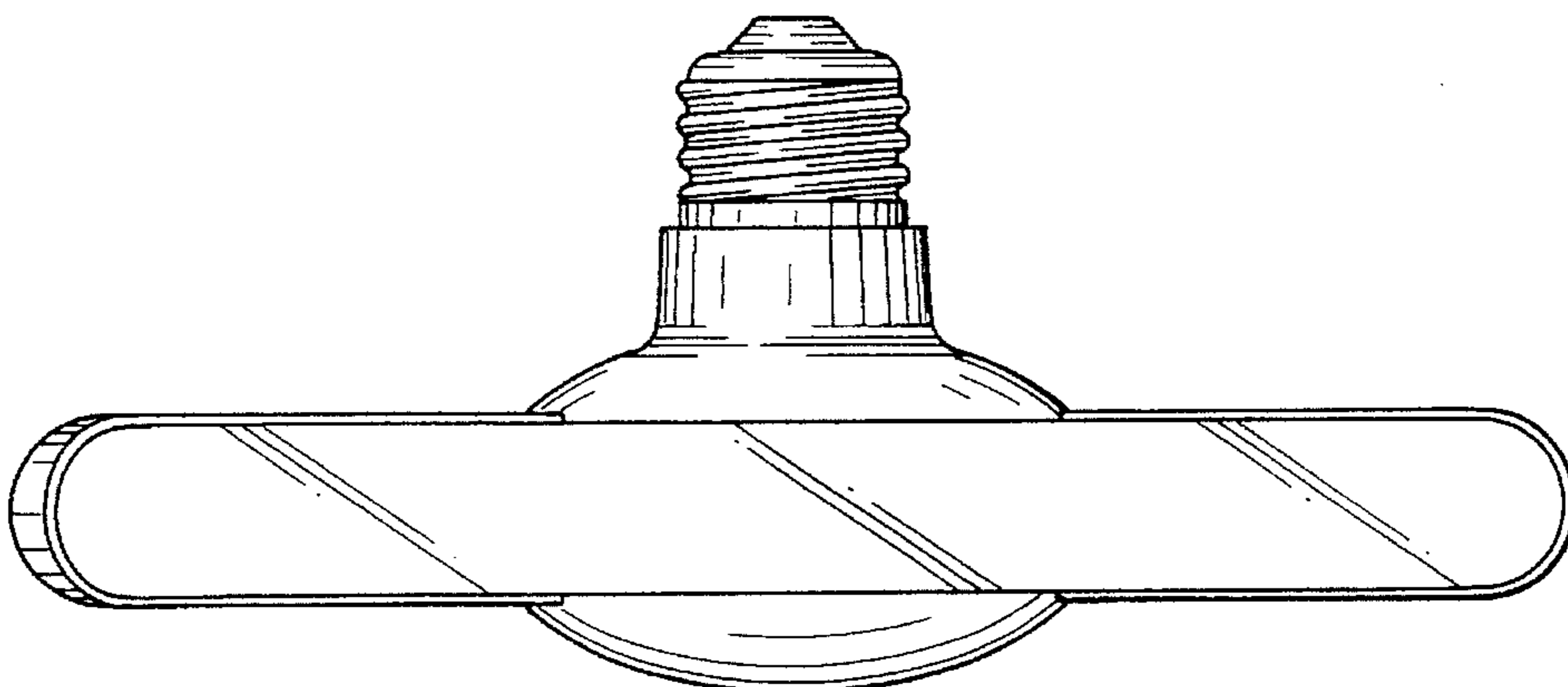
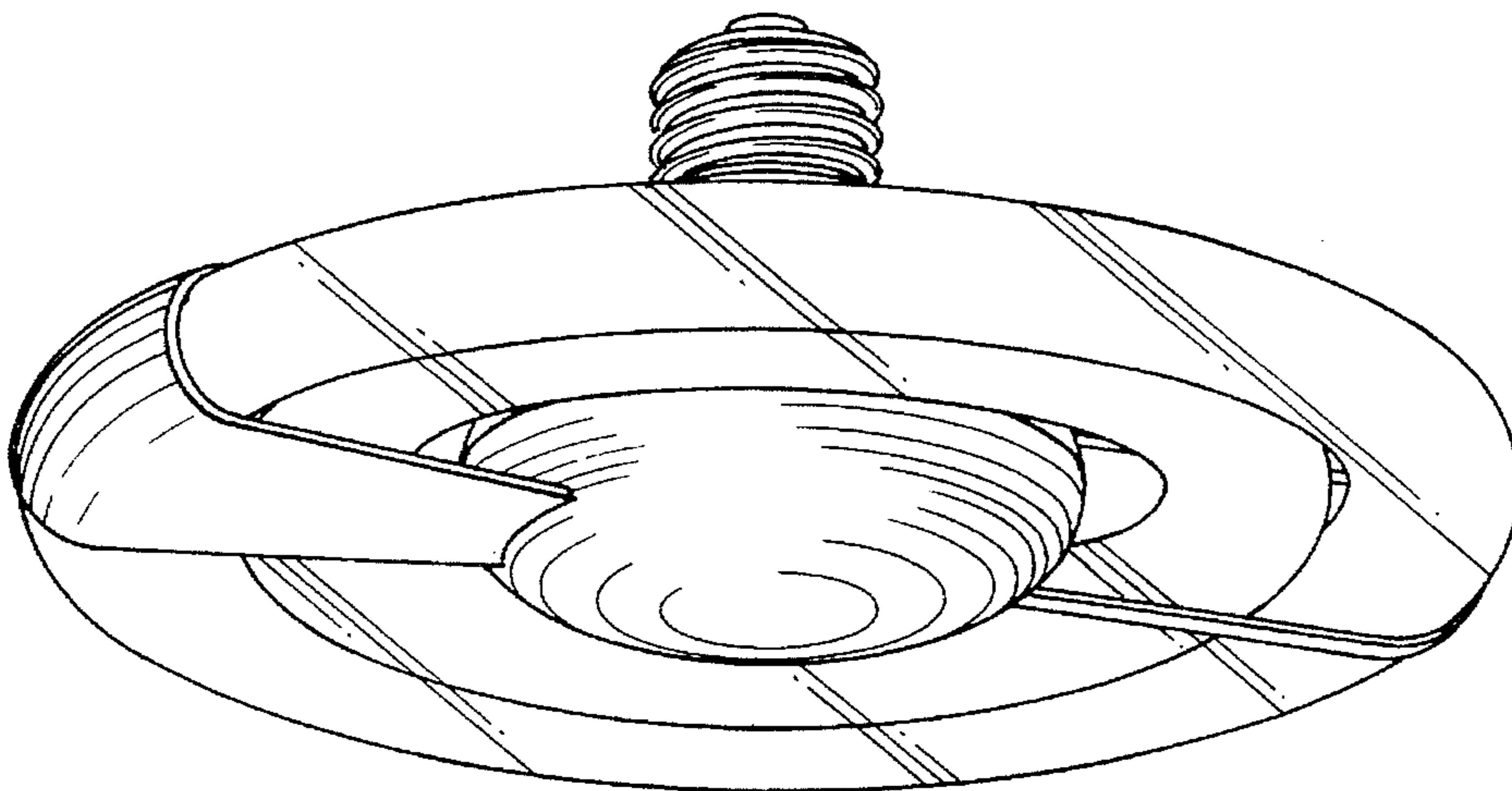


FIG. 1

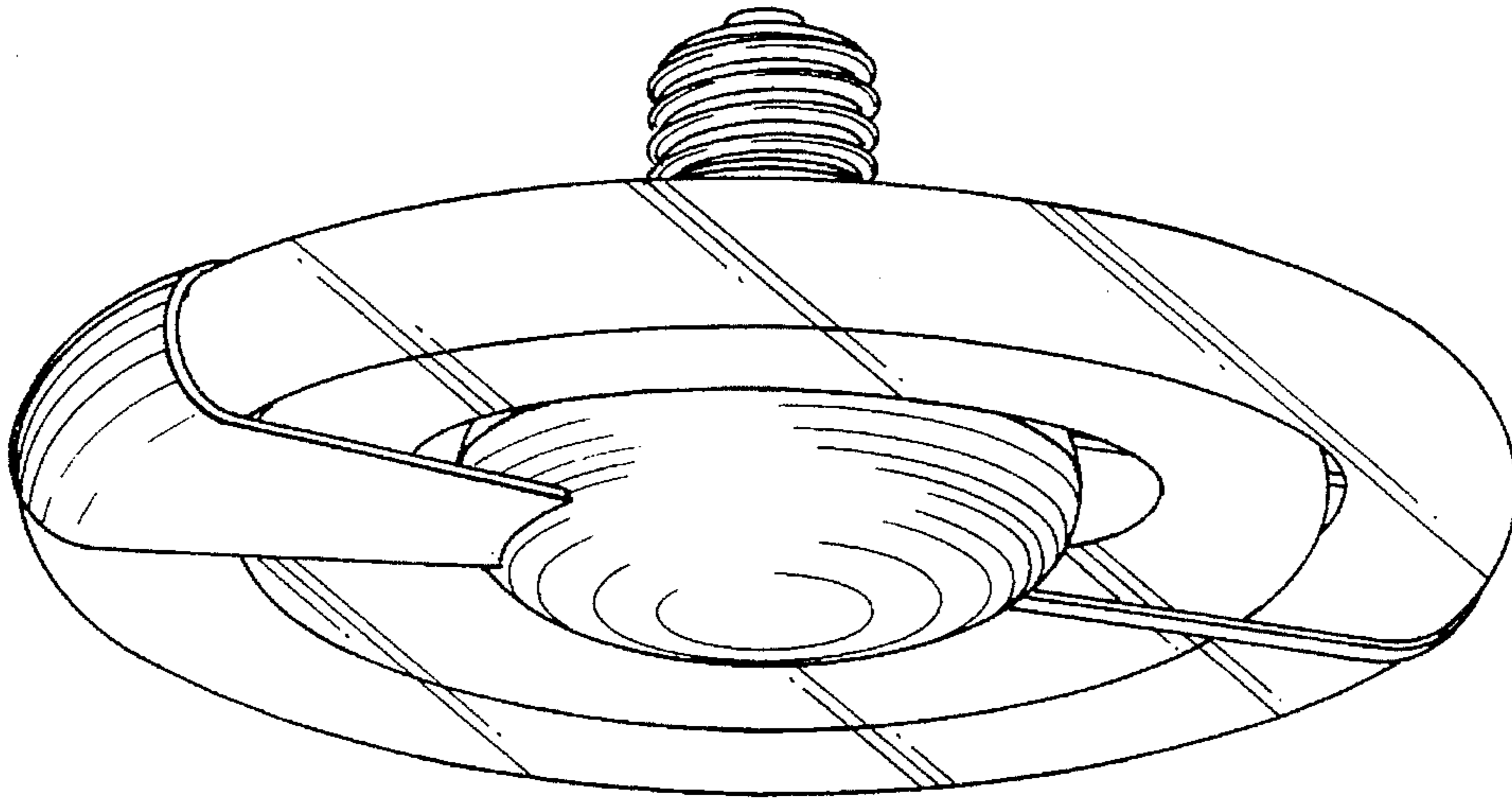


FIG. 2

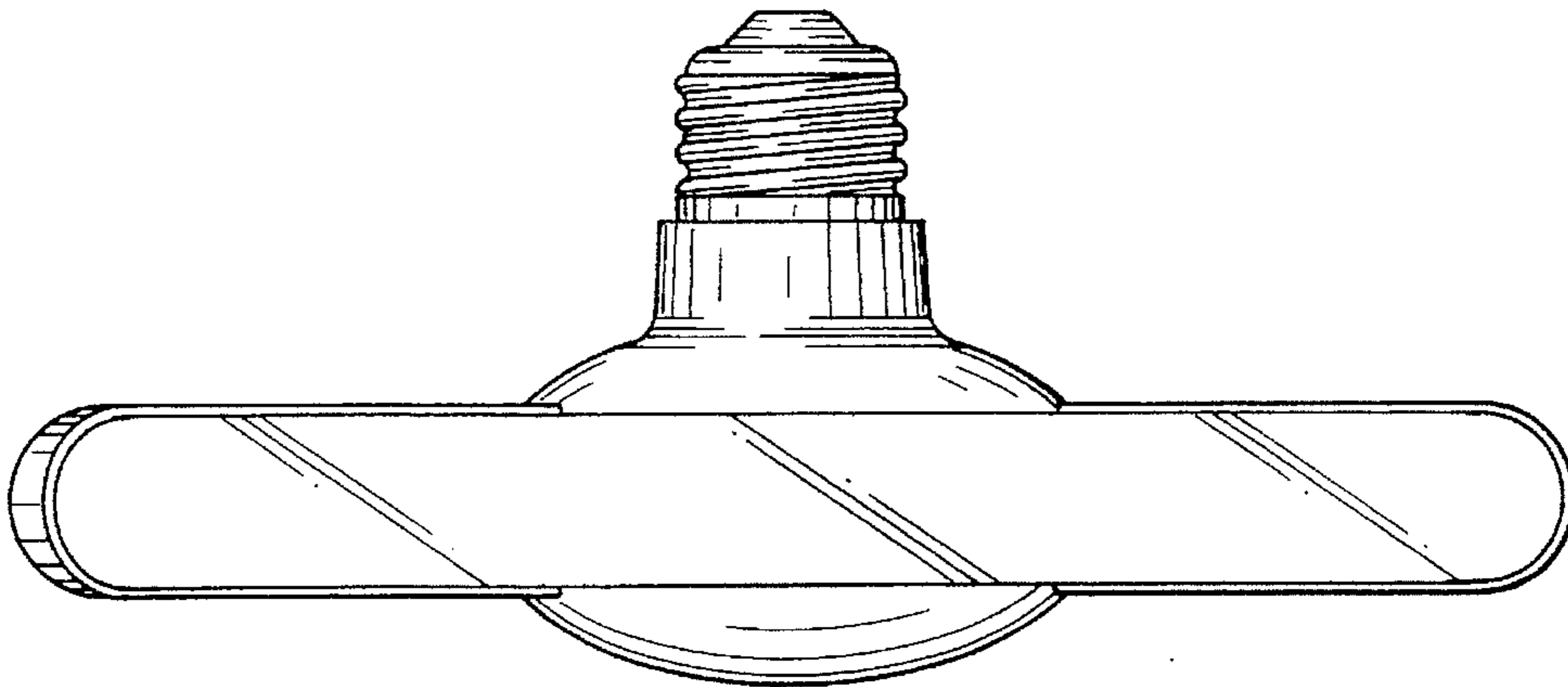


FIG. 3

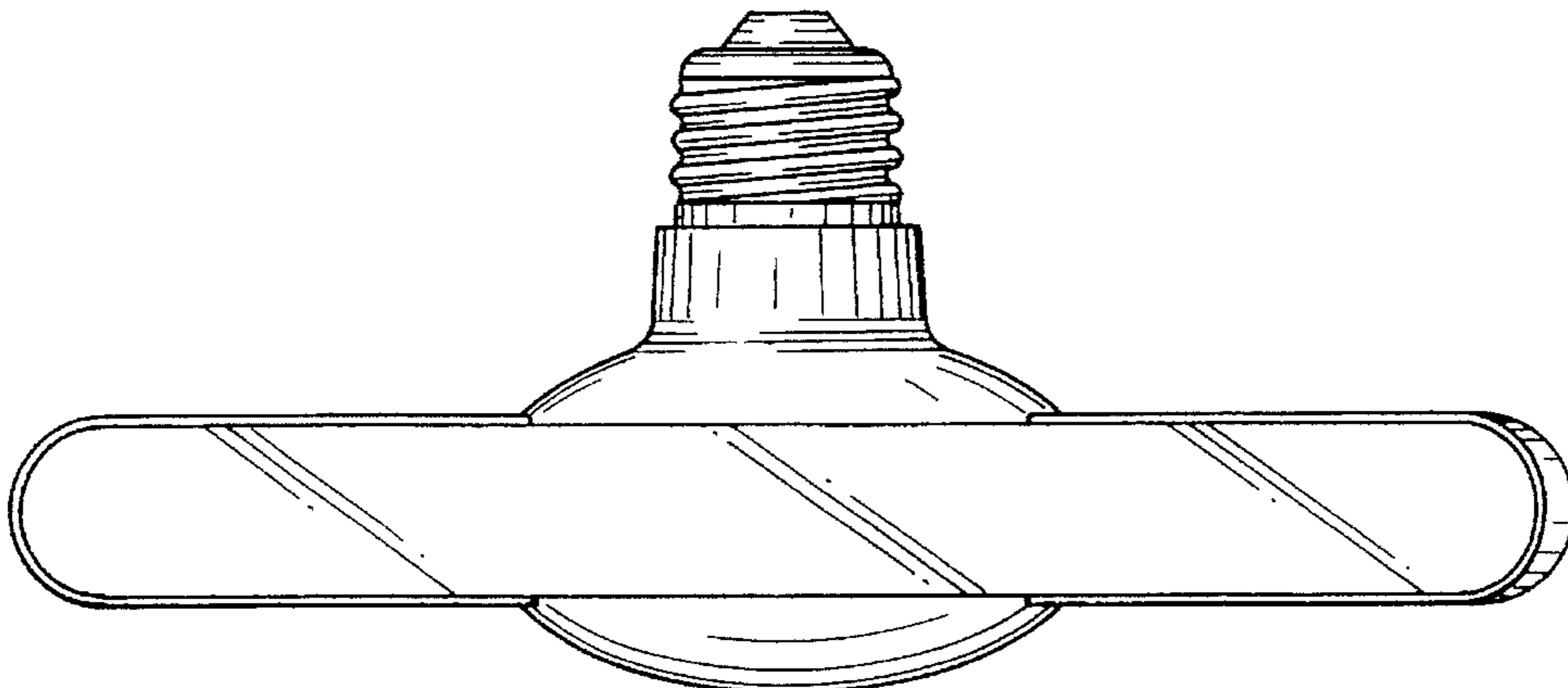


FIG. 4

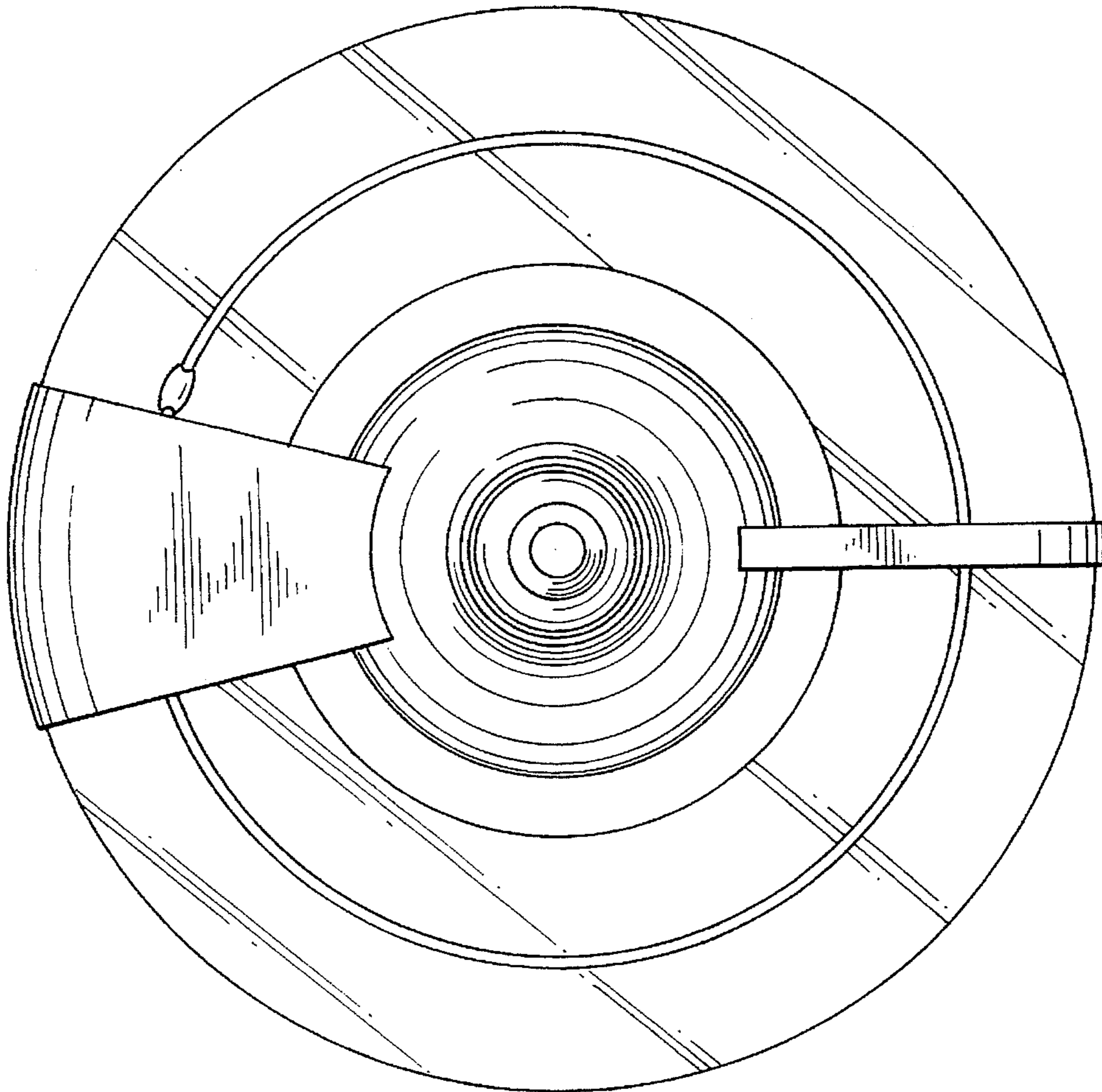


FIG. 5

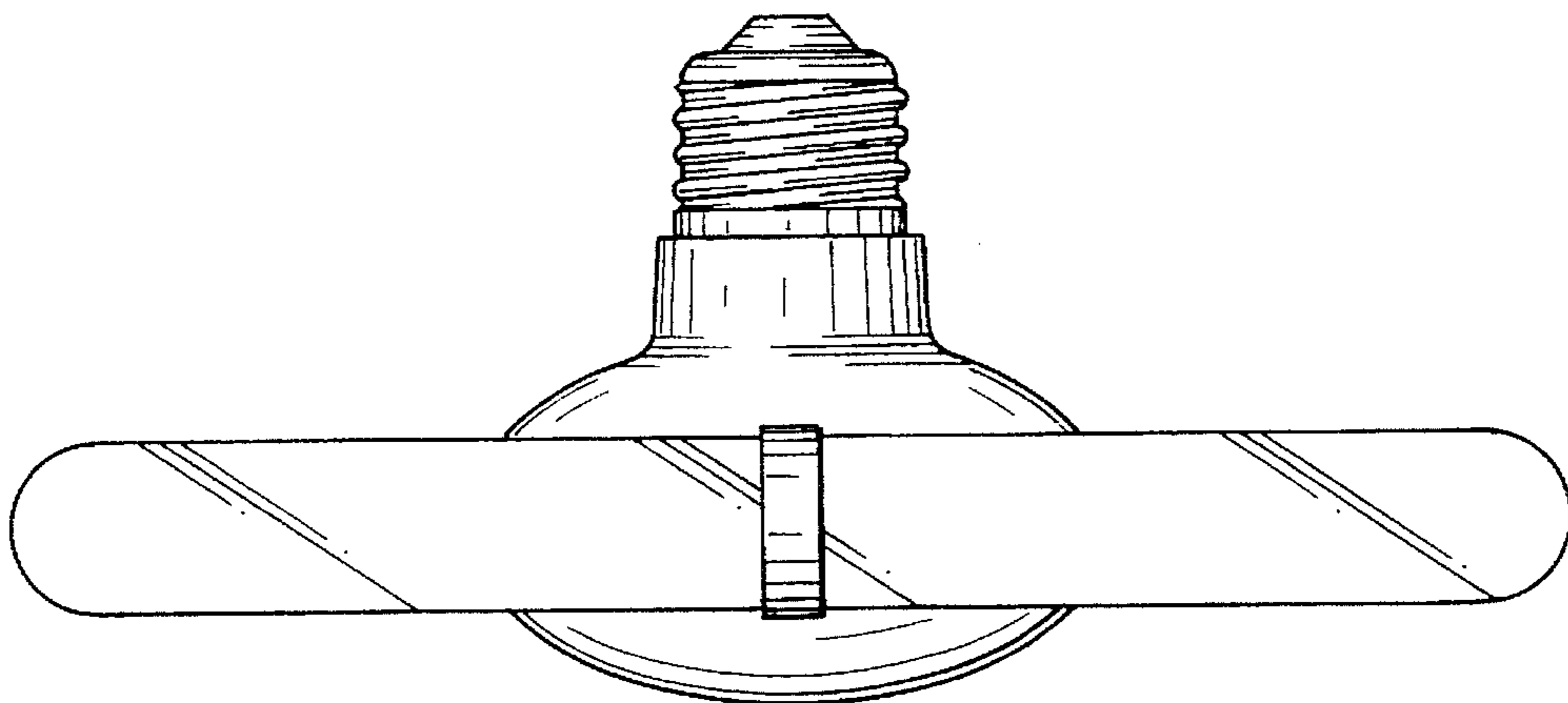


FIG. 6

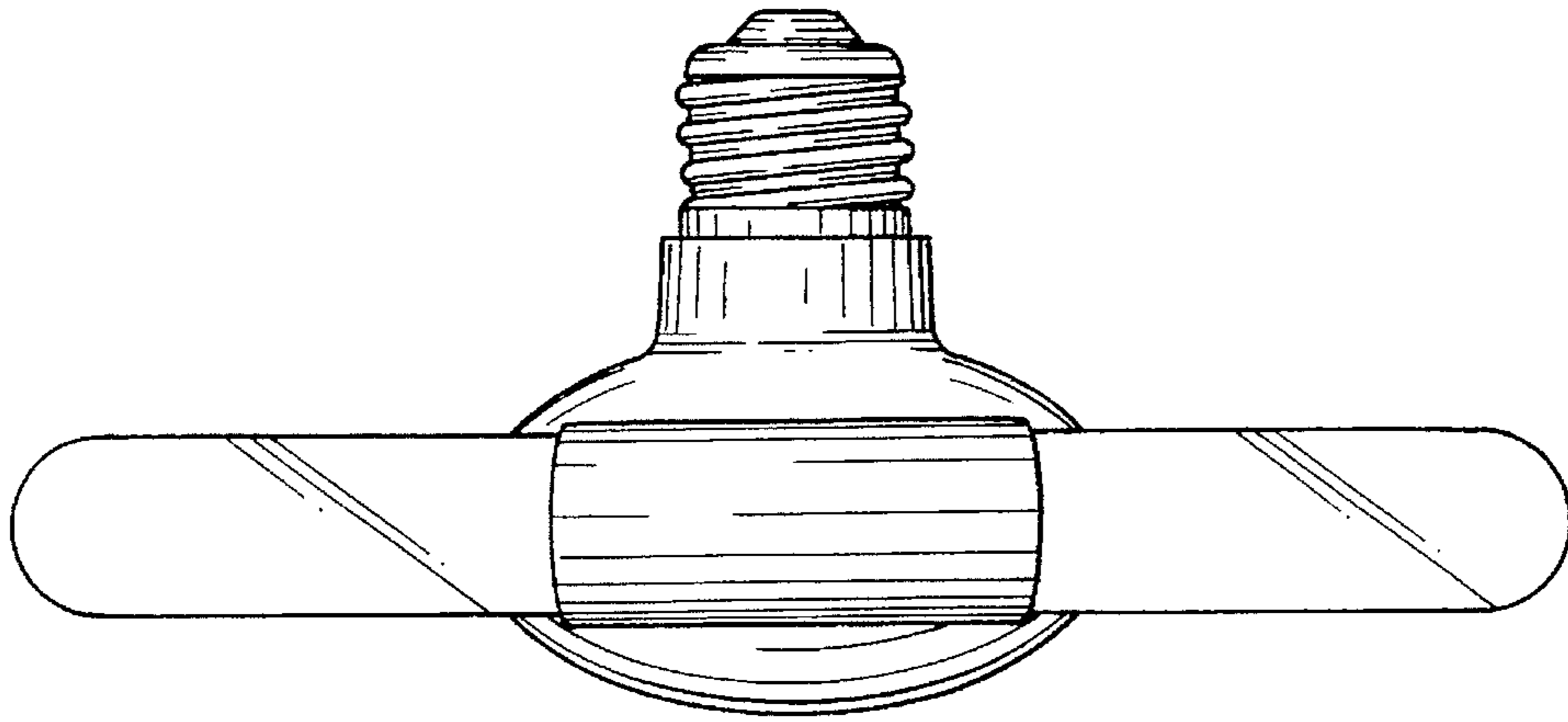


FIG. 7

