



US00D377689S

United States Patent [19] Hart

[11] **Patent Number:** **Des. 377,689**

[45] **Date of Patent:** ****Jan. 28, 1997**

[54] **WALL COMPONENT**

[75] **Inventor:** **Keith Hart**, Newmarket, Canada

[73] **Assignee:** **Majestic Plastics Ltd.**, Weston, Canada

[**] **Term:** **14 Years**

[21] **Appl. No.:** **48,415**

[22] **Filed:** **Dec. 28, 1995**

[52] **U.S. Cl.** **D25/124**

[58] **Field of Search** D25/124, 199,
D25/164; 52/387, 578, 579, 588.1, 582.1,
582.2, 583.1, 586.2, 730.1, 730.4, 730.5,
582.1, 459, 716.8, 732.2, 732.3, 732.4

[56] **References Cited**

U.S. PATENT DOCUMENTS

3,538,660 11/1970 Moor 52/586.2

3,815,311 6/1974 Nisula et al. 52/579

3,880,391 4/1975 Colanardi D25/58

5,050,362 9/1991 Tal et al. 52/579

Primary Examiner—Doris Clark

[57] **CLAIM**

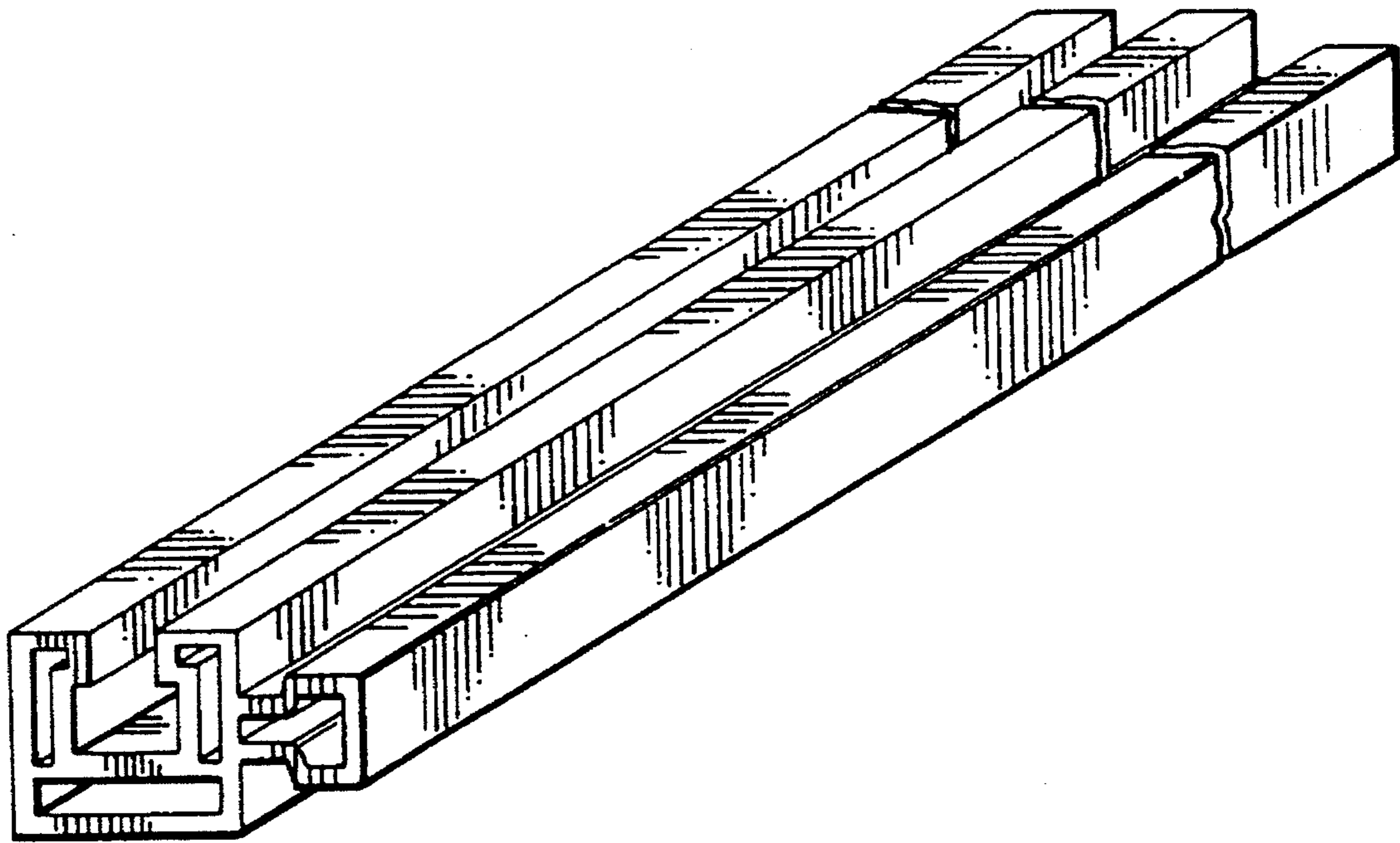
The ornamental design for a wall component, as shown.

DESCRIPTION

FIG. 1 is a perspective view of the wall component;
FIG. 2 is an end view of the wall component; and,
FIG. 3 is a variant of the wall component in FIG. 2.

A segment of the wall component is shown broken away to disclose indefinite length.

1 Claim, 1 Drawing Sheet



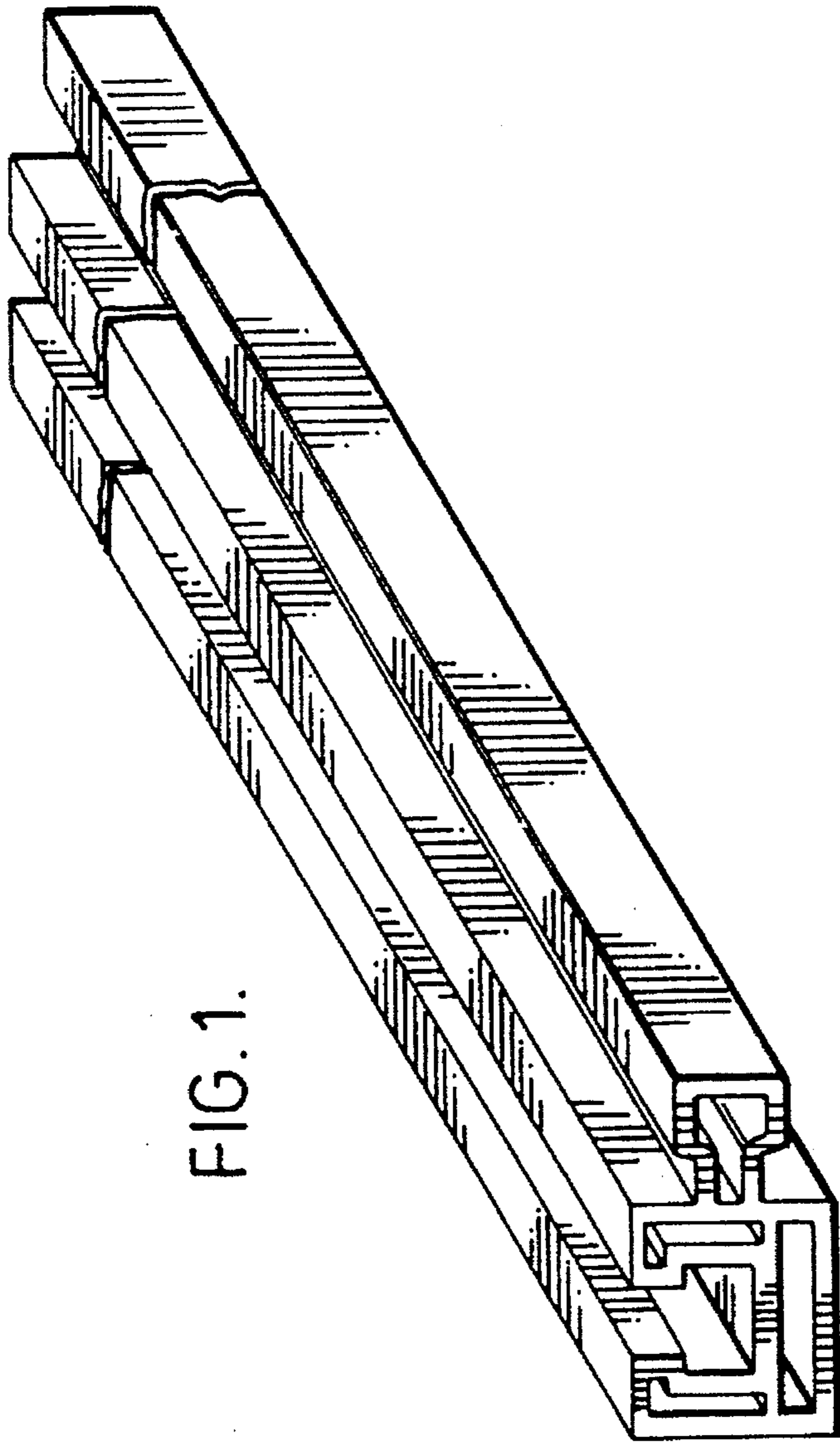


FIG. 1.

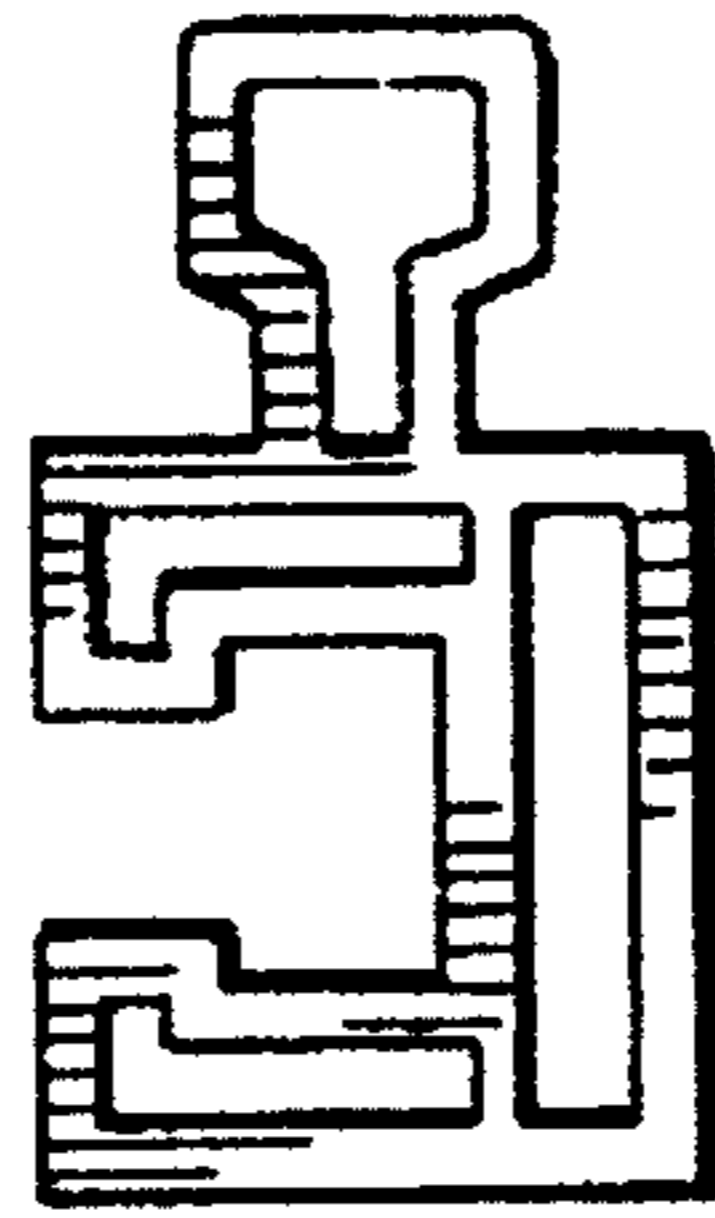


FIG. 2.

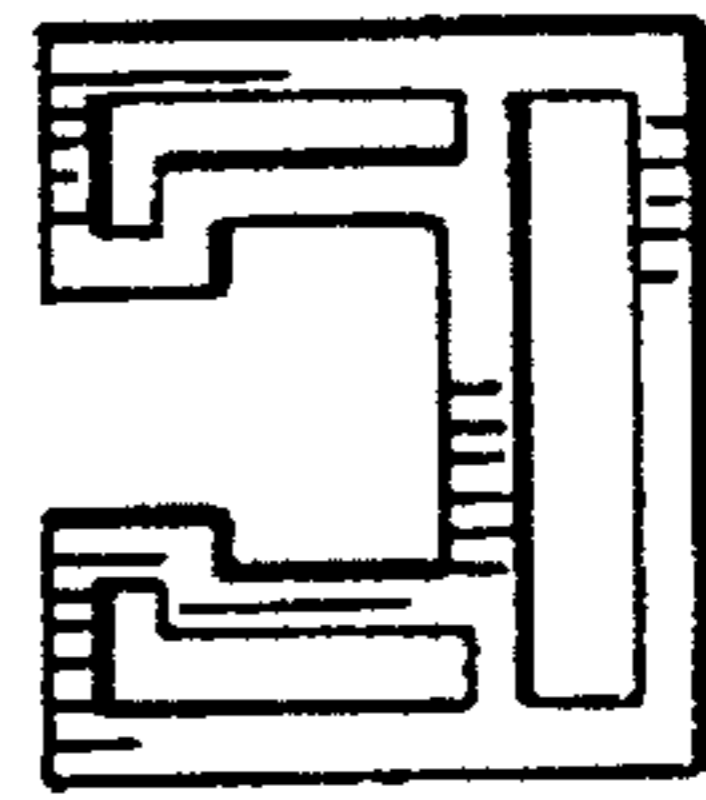


FIG. 3.