



US00D377687S

United States Patent [19]

Udovch

[11] Patent Number: **Des. 377,687**

[45] Date of Patent: ****Jan. 28, 1997**

[54] SINGLE-USE SYRINGE

[76] Inventor: **Dallas Udovch**, 2670 35th Ave., San Francisco, Calif. 94116

[**] Term: **14 Years**

5,019,051	5/1991	Hake	604/263
5,076,283	12/1991	Urbanec	128/763
5,163,918	11/1992	Righi	604/263
5,273,543	12/1993	Bell	604/110
5,411,489	5/1995	Paqag et al.	604/228 X

FOREIGN PATENT DOCUMENTS

598257	9/1959	Italy	604/192
--------	--------	-------	---------

[21] Appl. No.: **46,641**

[22] Filed: **Oct. 19, 1995**

[52] U.S. Cl. **D24/114; D24/112**

[58] Field of Search D24/114, 112, D24/130; 604/110, 264, 263, 192, 198, 197, 187, 228, 220, 218, 214, 193

Primary Examiner—Louis S. Zarfaz
Assistant Examiner—I. Simmons
Attorney, Agent, or Firm—Terry M. Gernstein

[57] CLAIM

The ornamental design for a single-use syringe, as shown and described.

[56] References Cited

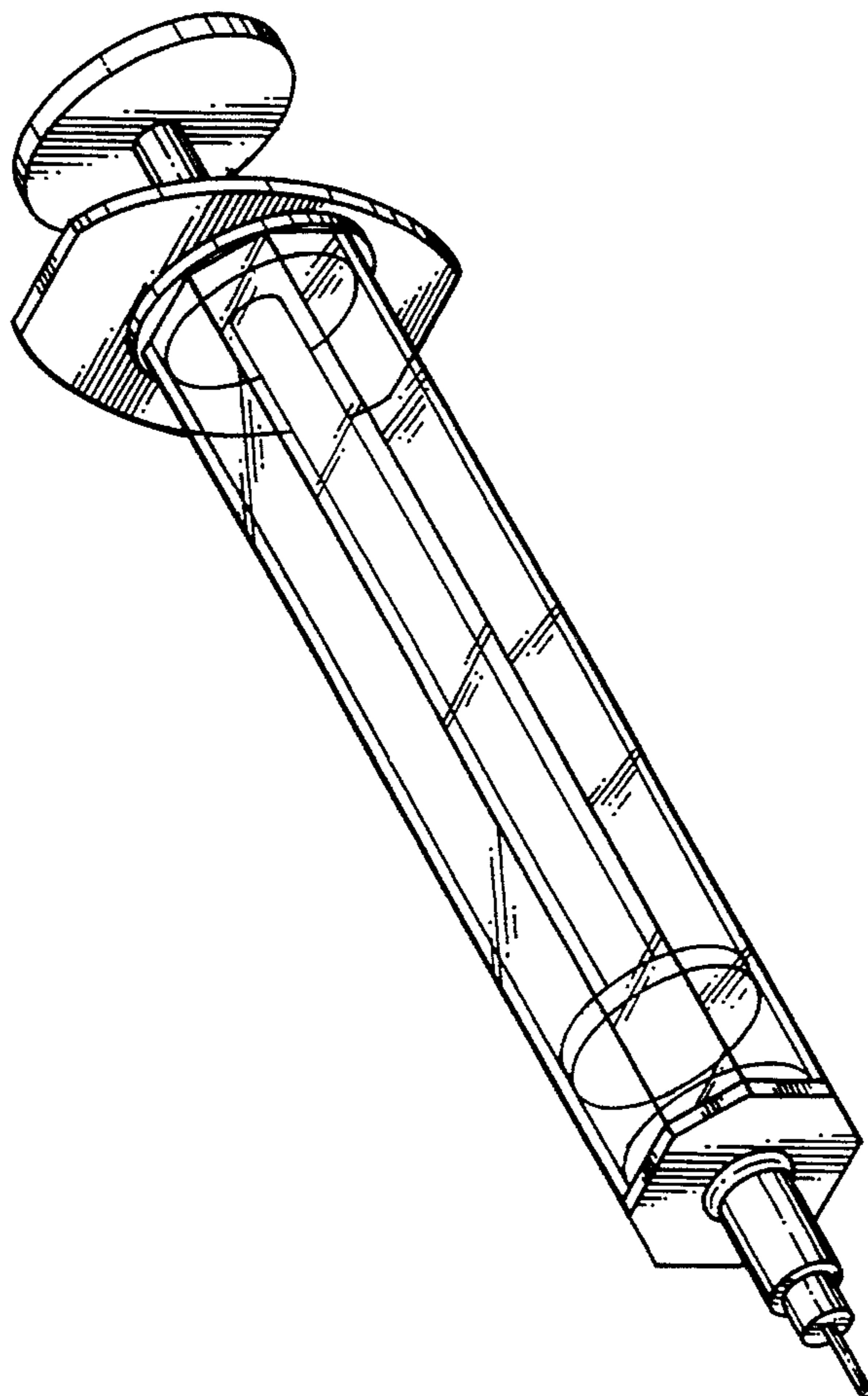
U.S. PATENT DOCUMENTS

D. 344,355	2/1994	Talonn et al.	D24/114 X
3,016,896	1/1962	Van Sickle	D24/114 X
3,253,592	5/1966	Pechmann	D24/114
3,628,523	12/1971	Pirtle	604/110
3,895,633	7/1975	Bartner et al.	604/192
3,905,521	9/1975	Mead	272/309
3,985,122	10/1976	Topham	604/191 X
4,636,201	1/1987	Ambrose	604/192
4,921,486	5/1990	DeChellis	604/110
4,932,939	6/1990	Magre	604/110
4,985,020	1/1991	Kasuya	D24/130

DESCRIPTION

FIG. 1 is a front, top and side perspective view of the single-use syringe showing my new design; FIG. 2 is a front elevational view thereof; FIG. 3 is a rear elevational view thereof; FIG. 4 is a side elevational view thereof, the side opposite being a mirror image of the side shown in FIG. 4; and, FIG. 5 is a top plan view thereof, the bottom view being a mirror image of the top view shown in FIG. 5.

1 Claim, 2 Drawing Sheets



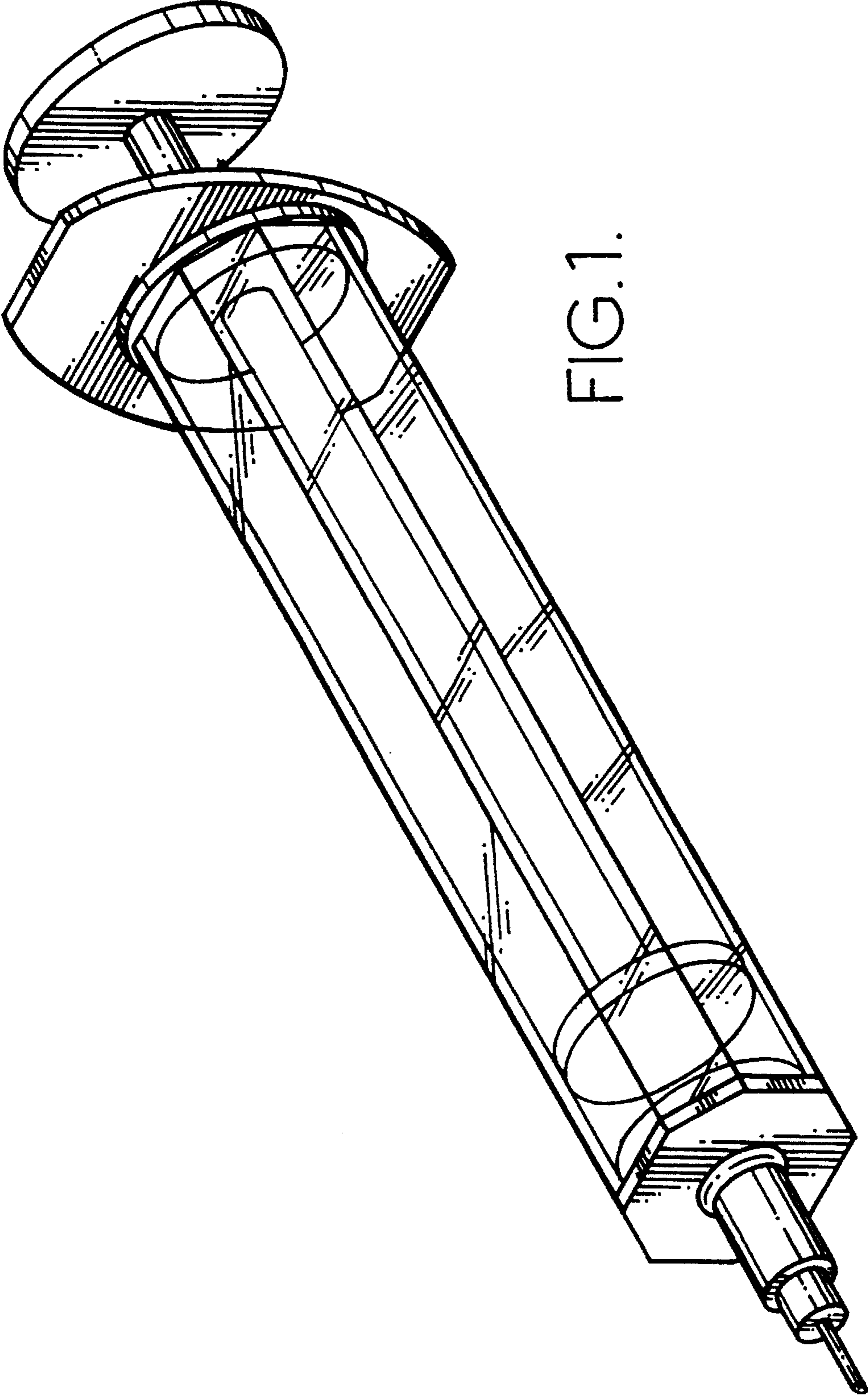


FIG. 1.

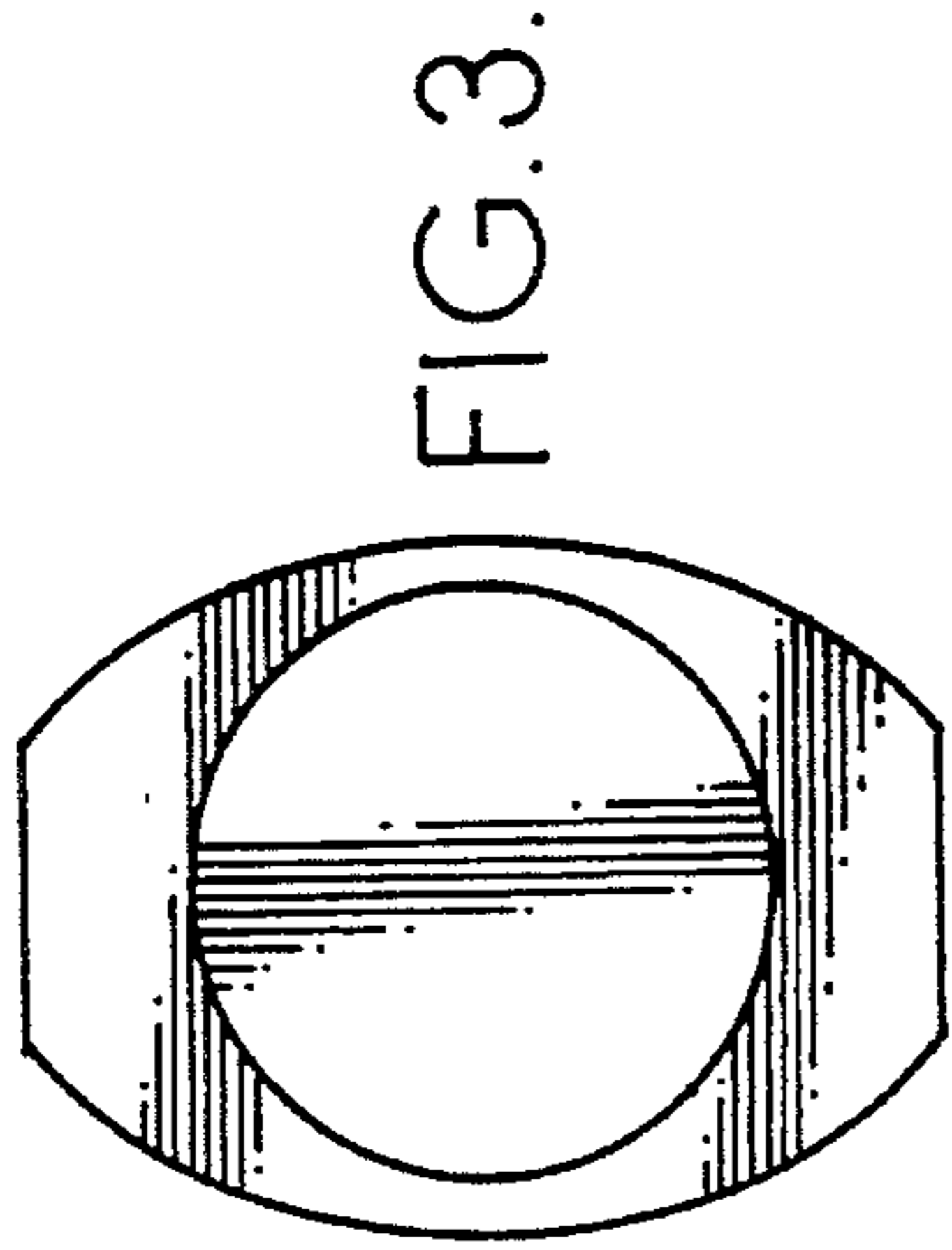


FIG. 3.

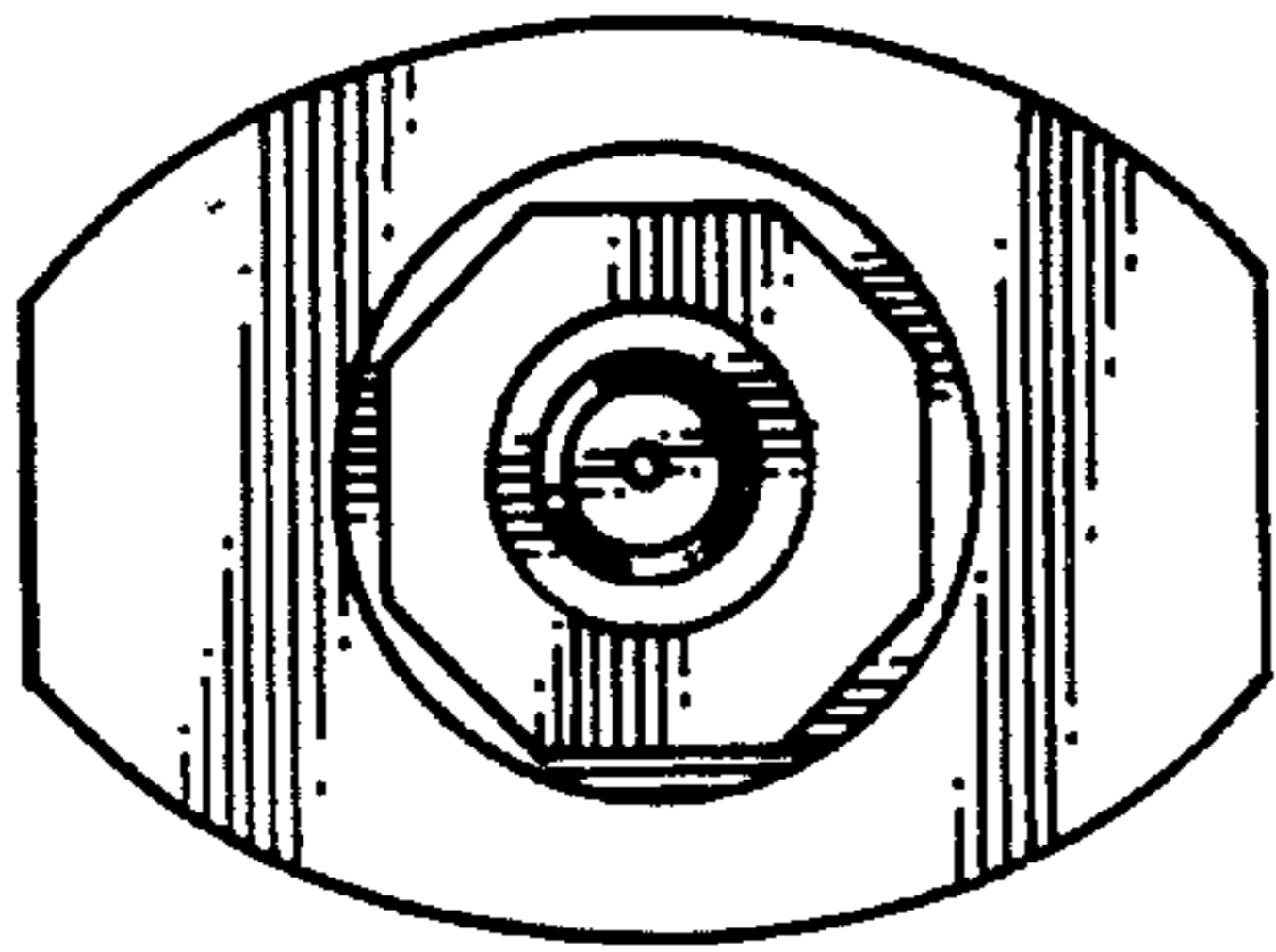


FIG. 2.

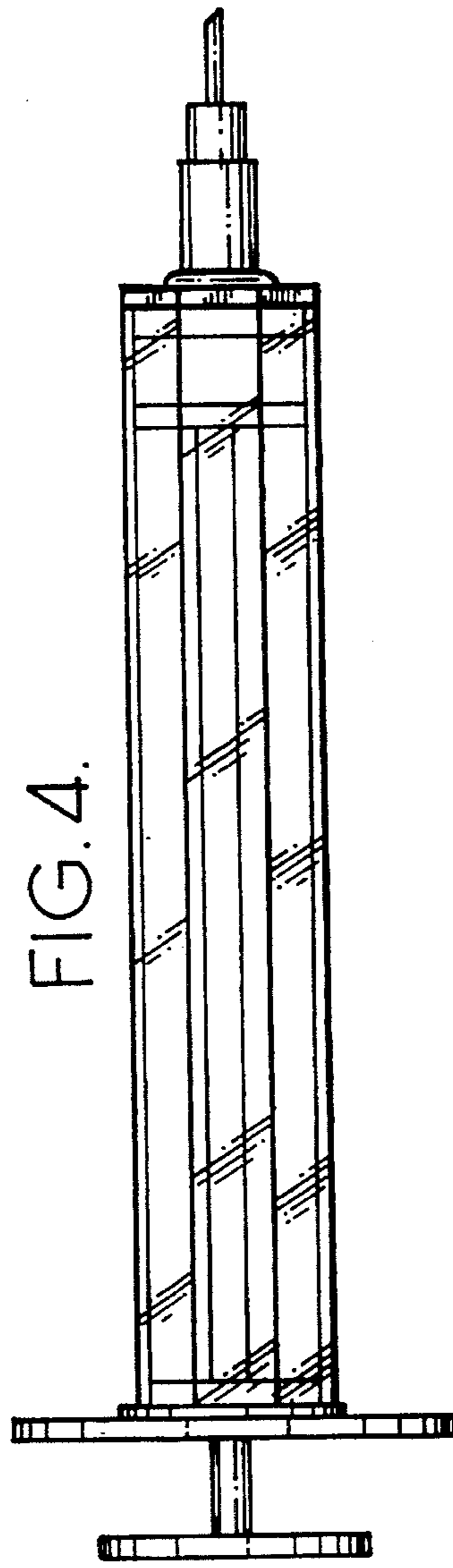


FIG. 4.

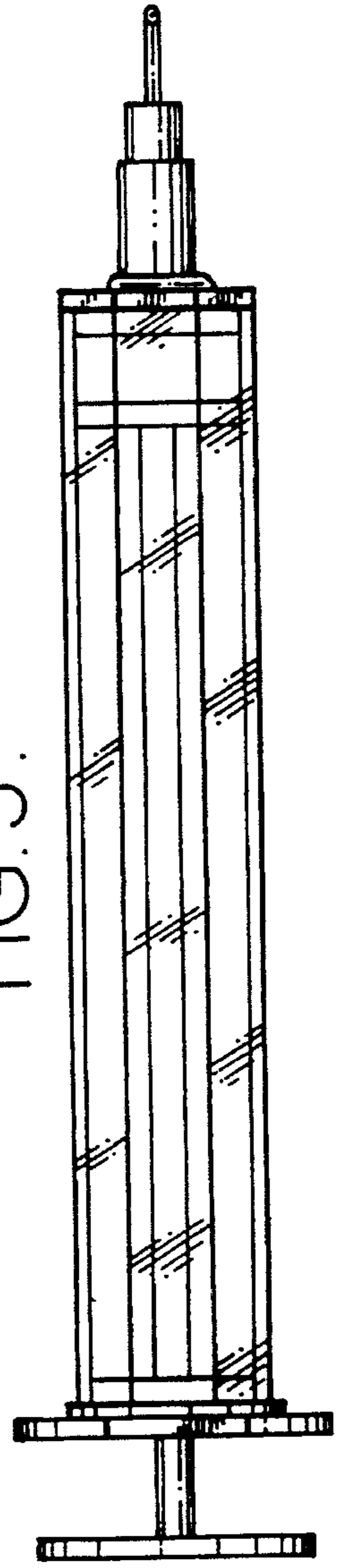


FIG. 5.