



US00D377683S

United States Patent [19]

[11] **Patent Number: Des. 377,683**

Wang et al.

[45] **Date of Patent: **Jan. 28, 1997**

[54] **STAND FOR A PORTABLE ELECTRIC FAN WITH A SWIVEL MOUNT**

Primary Examiner—Lisa P. Lichtenstein
Attorney, Agent, or Firm—John E. Toupal

[75] Inventors: **Jui-Shang Wang**, Taipei, Taiwan;
Rodney Jané, Westborough; **John Longan**, Natick, both of Mass.; **Stanley Gresens**, Homewood, Ill.; **Gregory Holderfield**, Oak Park, Ill.; **Steven Valentor**, Wesmont, Ill.

[57] **CLAIM**

The ornamental design for a stand for a portable electric fan with a swivel mount, as shown and described.

[73] Assignee: **Duracraft Corp.**, Southborough, Mass.

DESCRIPTION

[**] Term: **14 Years**

FIG. 1 is a front elevational view of a stand for a portable electric fan with a swivel mount;

[21] Appl. No.: **46,010**

FIG. 2 is a rear elevational view thereof;

[22] Filed: **Nov. 6, 1995**

FIG. 3 is a left side elevational view thereof;

Related U.S. Application Data

FIG. 4 is a section taken from lines 4—4 of FIG. 3;

[62] Division of Ser. No. 37,280, Apr. 10, 1995.

FIG. 5 is a top plan view thereof; and,

[52] **U.S. Cl.** **D23/411**

FIG. 6 is a bottom plan view thereof.

[58] **Field of Search** D23/332, 336,
D23/370, 381, 382, 411, 328, 378; 416/246,
247 R

The right side elevation is a mirror image of the left side elevation.

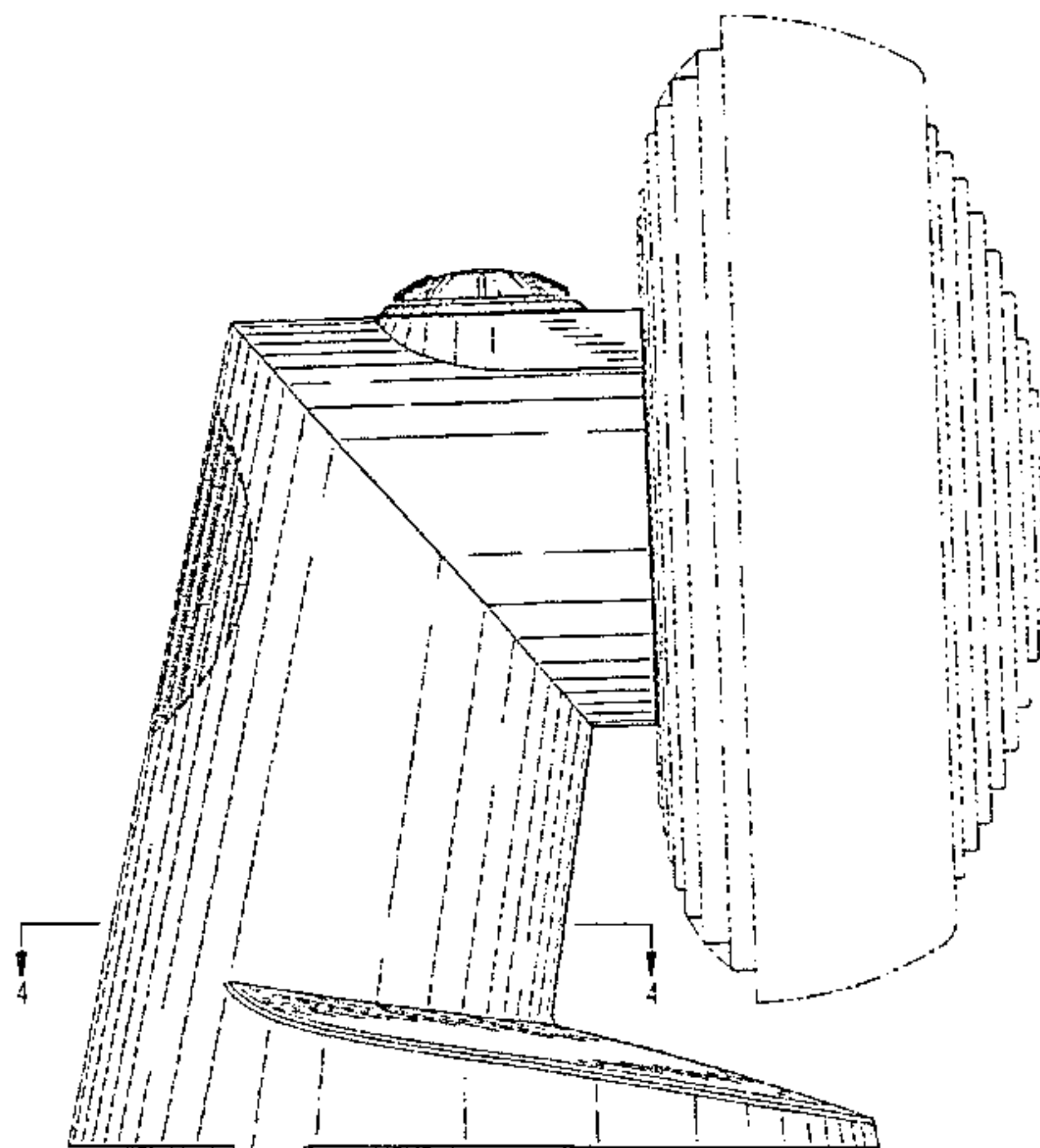
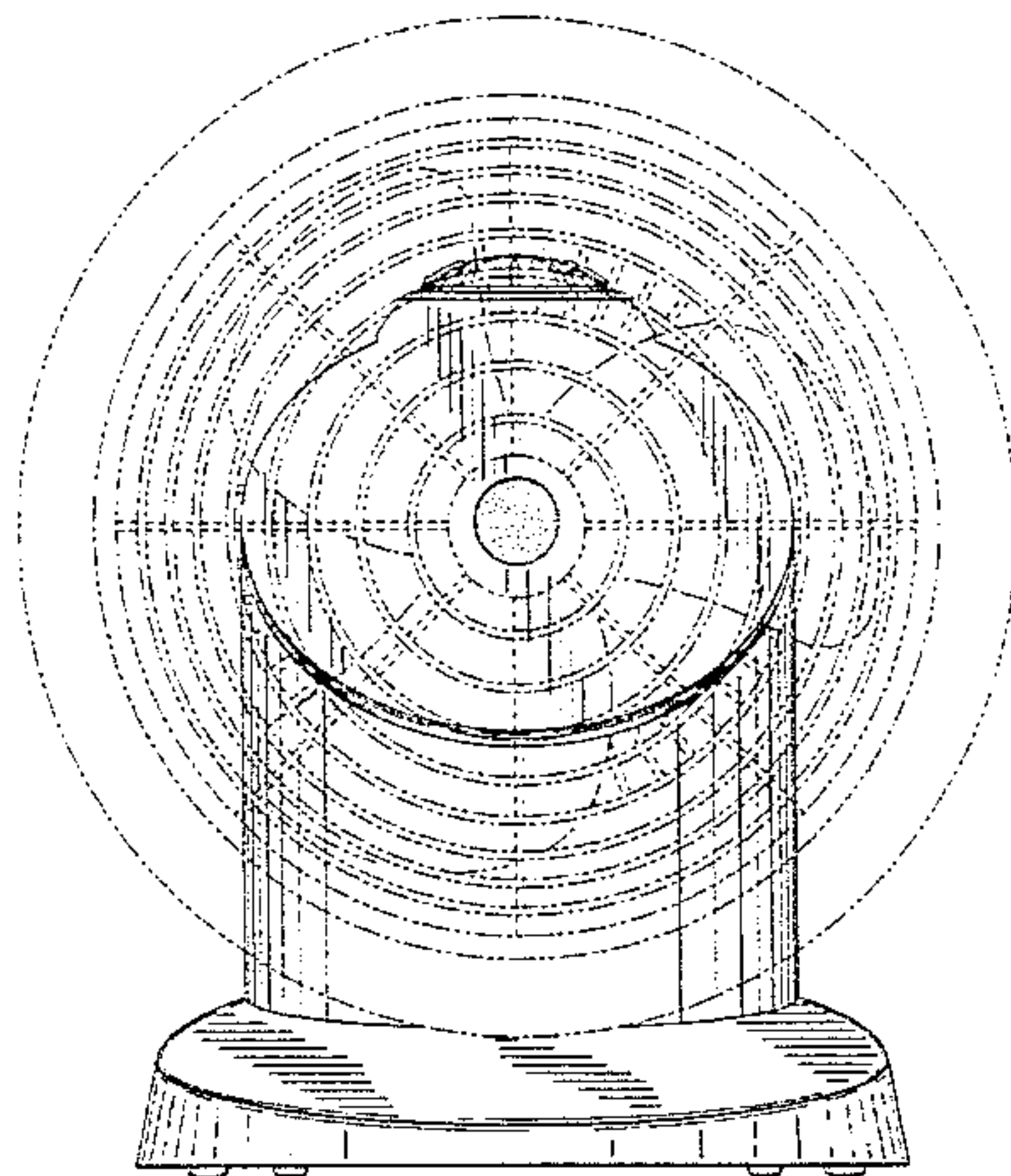
The broken-line showing of a fan in FIGS. 1-3, 5 and 6 is for illustrative purposes only and forms no part of the claimed design.

[56] **References Cited**

U.S. PATENT DOCUMENTS

D. 355,247 2/1995 Shao D23/382

1 Claim, 6 Drawing Sheets



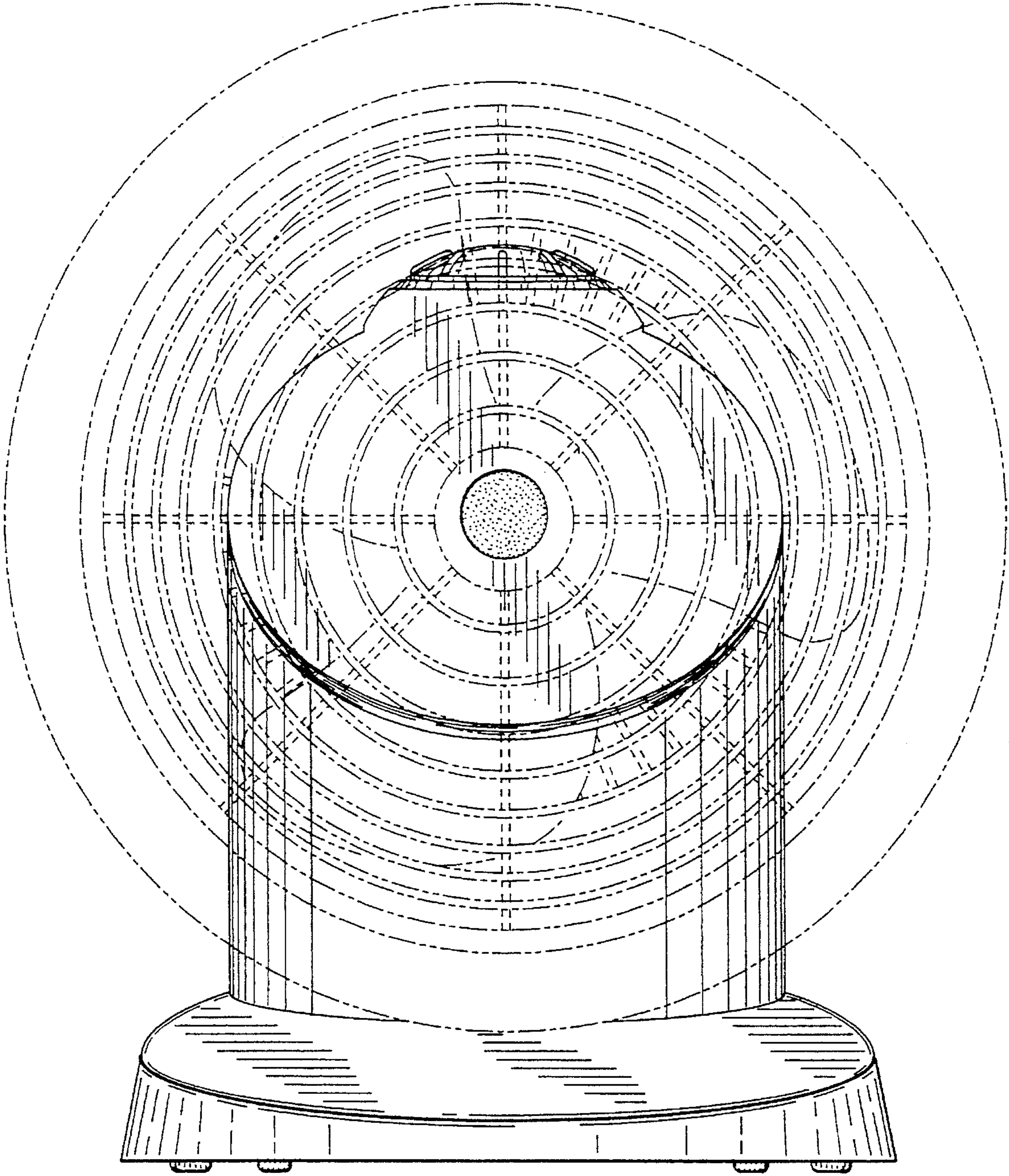


FIG. 1

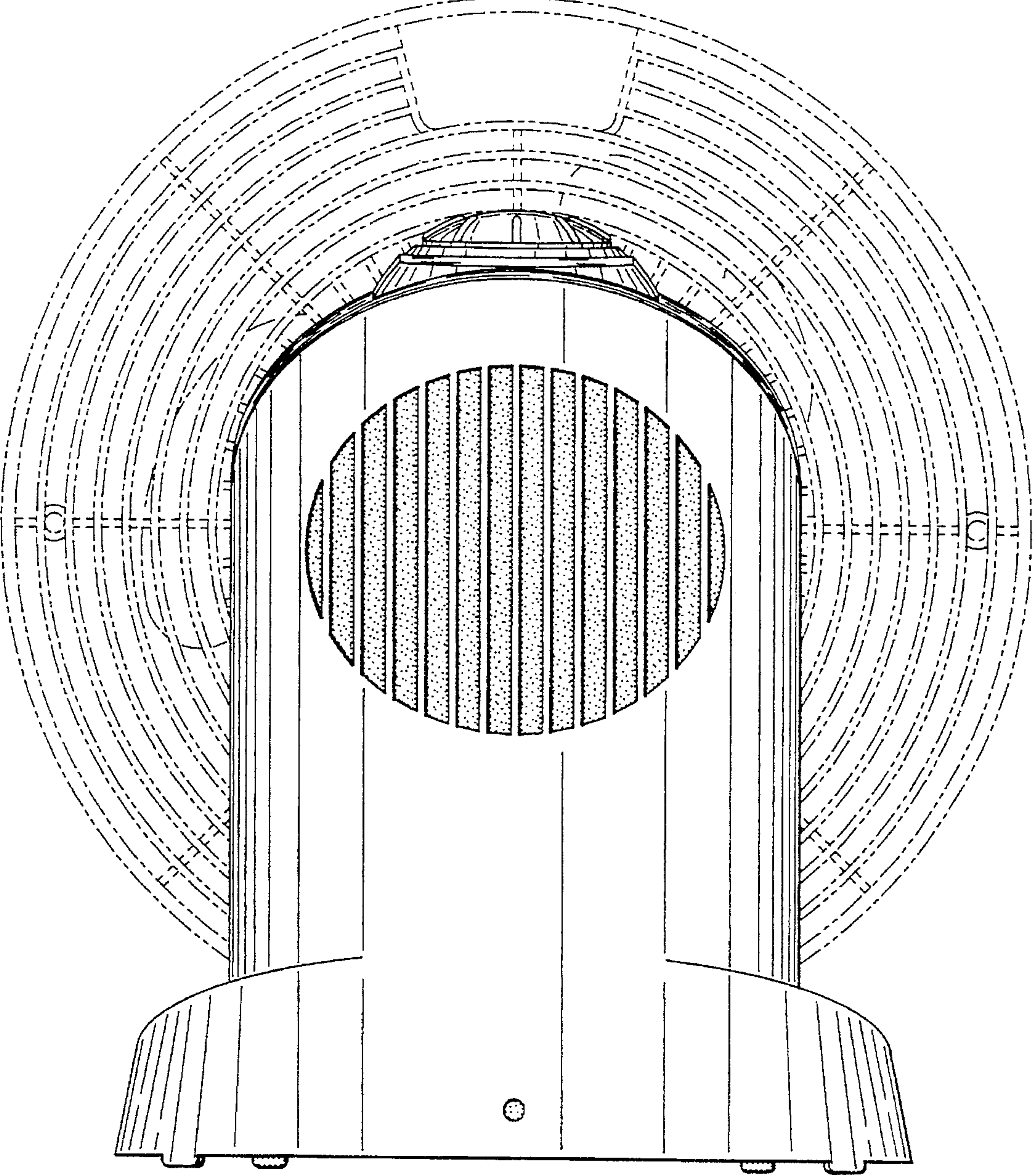


FIG. 2

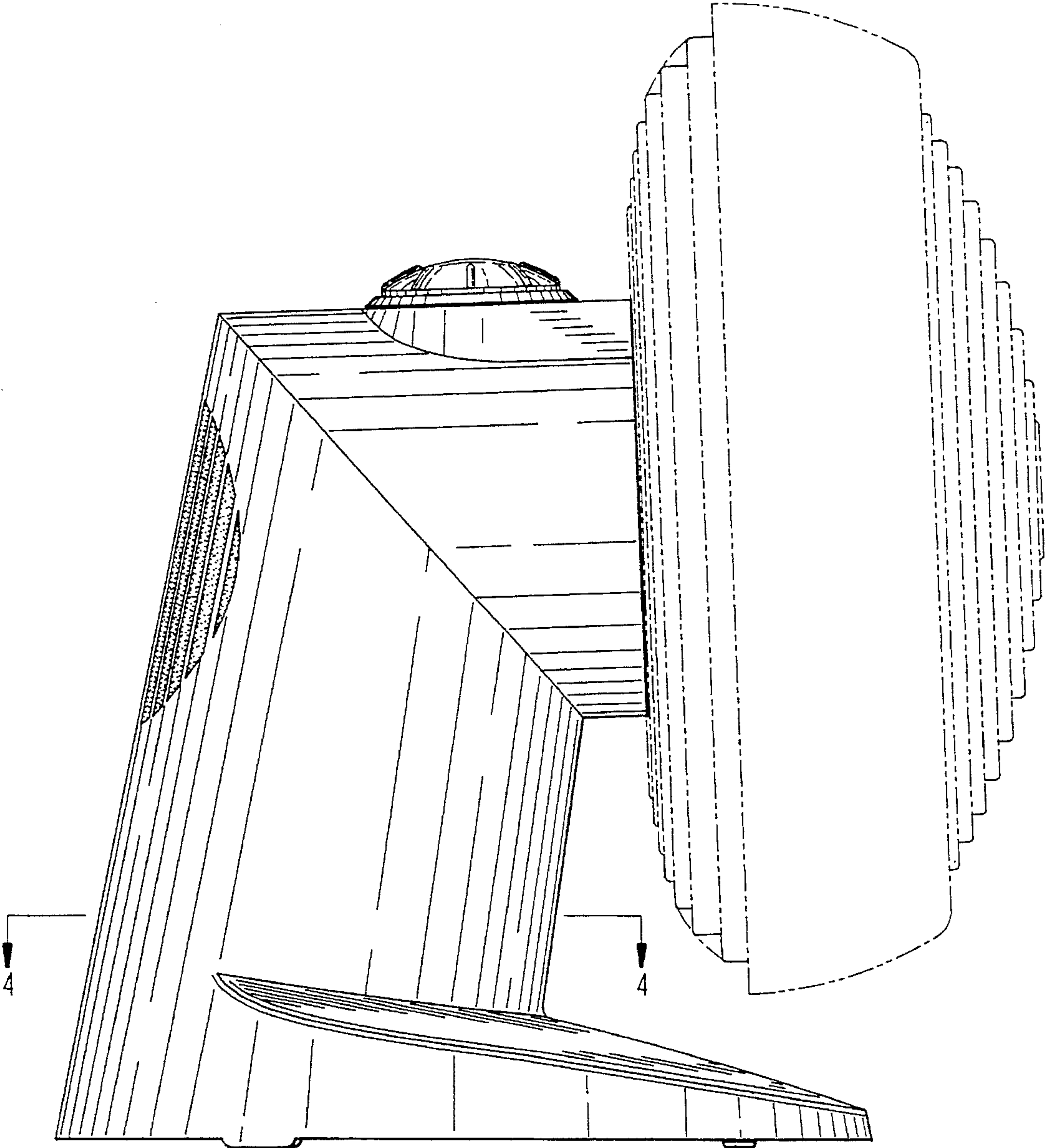


FIG. 3

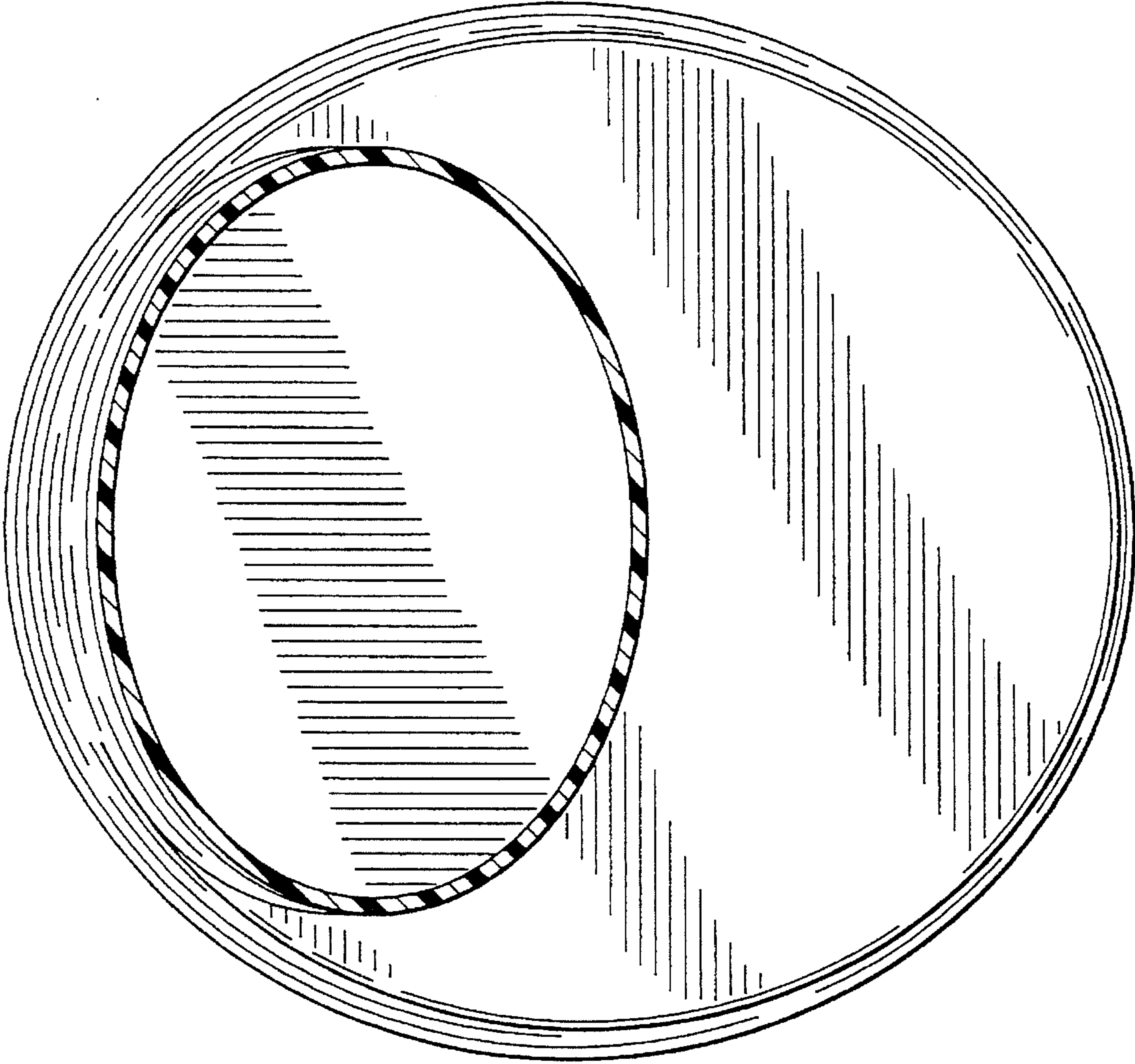


FIG. 4

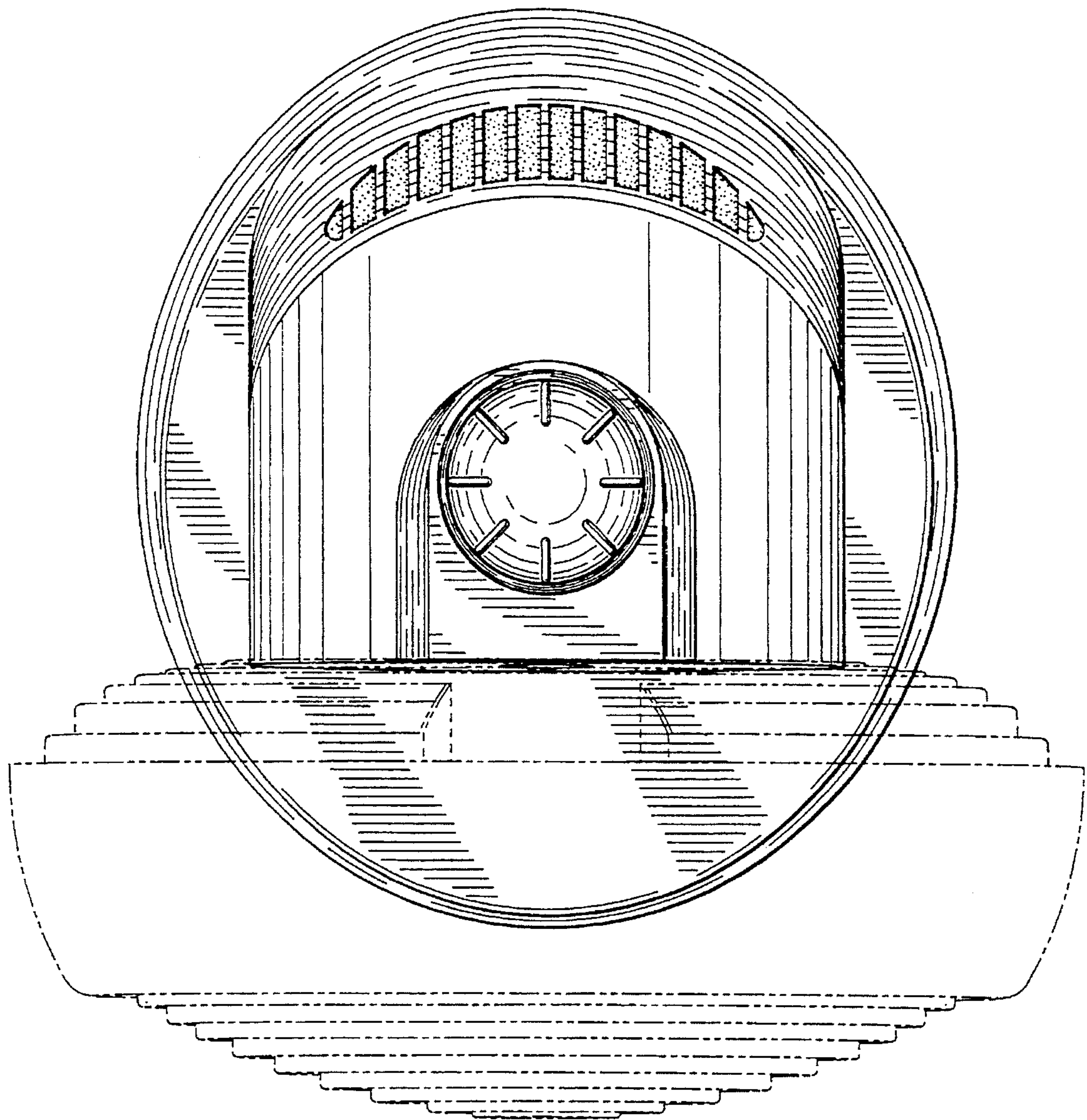


FIG. 5

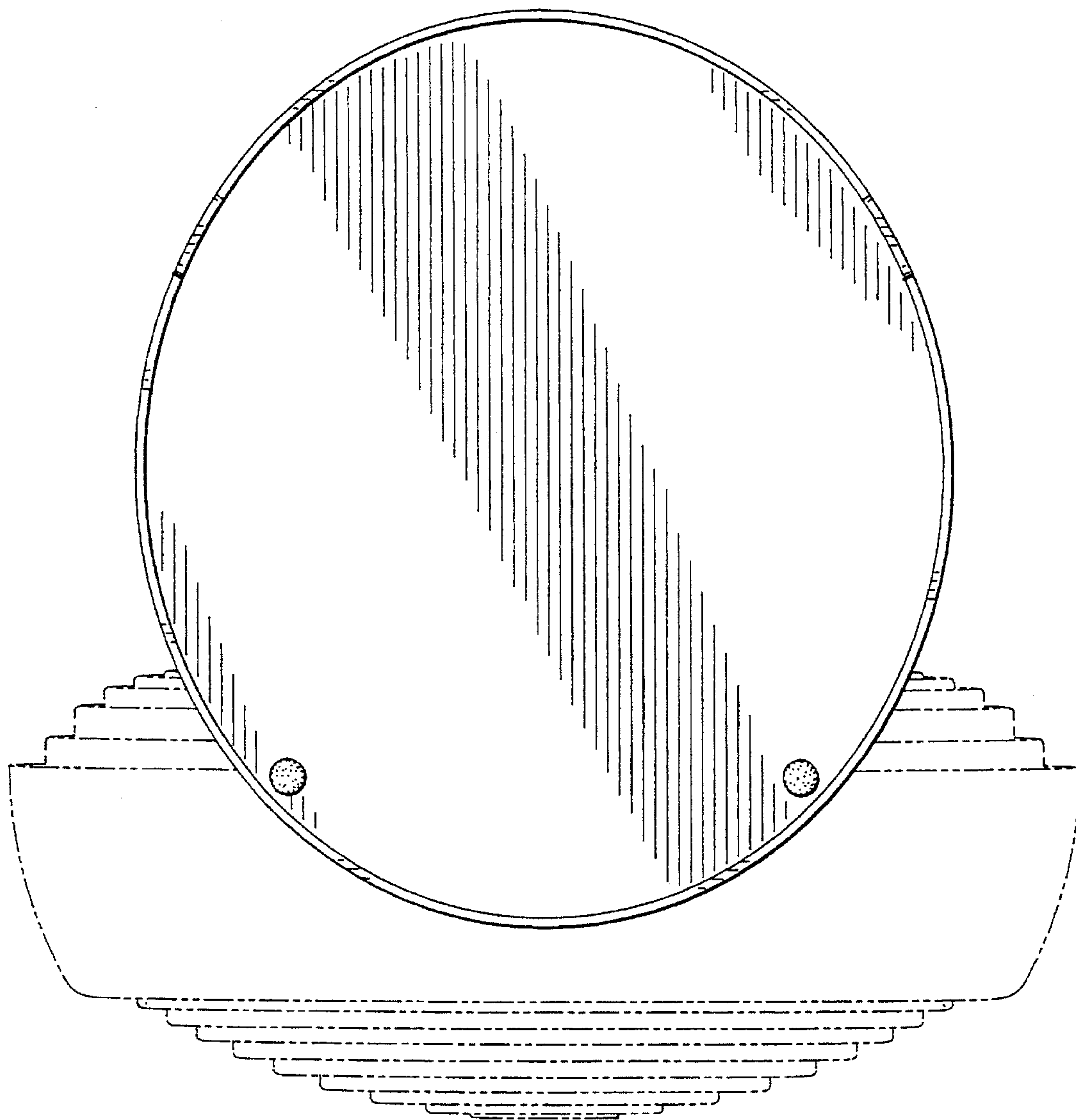


FIG. 6