



US00D377682S

United States Patent [19]

Schlosser et al.

[11] Patent Number: Des. 377,682

[45] Date of Patent: **Jan. 28, 1997

[54] HEAT REFLECTOR

[75] Inventors: Erich J. Schlosser, Barrington; J. Michael Alden, Palatine; Robert T. Stephen, Barrington, all of Ill.

[73] Assignee: Weber-Stephen Products Co., Palatine, Ill.

[**] Term: 14 Years

[21] Appl. No.: 38,411

[22] Filed: May 5, 1995

[52] U.S. Cl. D23/386; D23/314

[58] Field of Search D23/314; 126/41 R, 126/41 A, 41 B, 41 C, 41 D, 25 R, 39 M, 30; 99/645, 447

4,777,927	10/1988	Stephen et al. .	
4,829,975	5/1989	Hait .	
4,896,650	1/1990	Hait	126/9 R
5,074,279	12/1991	Sainsbury	126/25 B
5,076,256	12/1991	Raymer et al.	126/41 R
5,076,257	12/1991	Raymer et al.	126/41 R
5,086,752	2/1992	Hait	126/9 R
5,167,183	12/1992	Schlosser et al.	99/482
5,279,277	1/1994	Barker	126/41 R
5,329,917	7/1994	Young	126/30 X
5,359,988	11/1994	Hait	126/25 R

Primary Examiner—Susan J. Lucas
Assistant Examiner—Cynthia Ramirez
Attorney, Agent, or Firm—Wallenstein & Wagner, Ltd.

[57] CLAIM

The ornamental design for a heat reflector, as shown and described.

[56] References Cited

U.S. PATENT DOCUMENTS

3,060,919	10/1962	Shaw .	
3,302,555	2/1967	Burwell .	
3,424,145	1/1969	Stitt	126/25 R
3,474,724	10/1969	Jenn .	
3,474,725	10/1969	McClaren .	
3,611,911	10/1971	Martin .	
3,683,791	8/1972	Rast, Jr. .	
3,693,534	9/1972	Martin .	
3,745,303	7/1973	Epperson et al. .	
4,454,805	1/1984	Matthews .	

DESCRIPTION

FIG. 1 is a perspective view of a heat reflector showing a first embodiment of our new design; FIG. 2 is a front elevation view thereof; FIG. 3 is a rear elevation view thereof; FIG. 4 is a right side elevation view thereof; FIG. 5 is a left side view thereof; FIG. 6 is a top plan view thereof; and, FIG. 7 is a bottom plan view thereof.

1 Claim, 2 Drawing Sheets

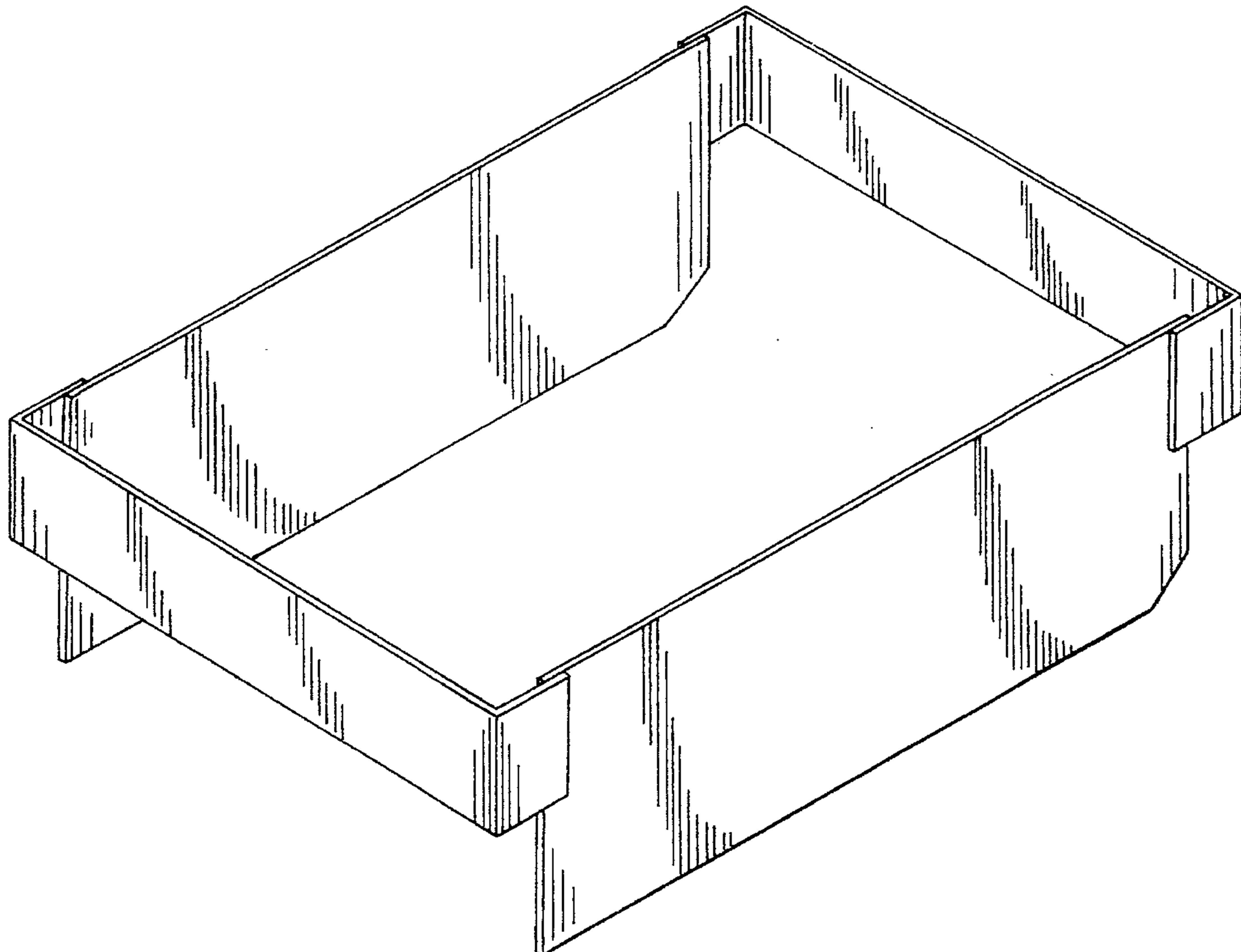


FIG.1

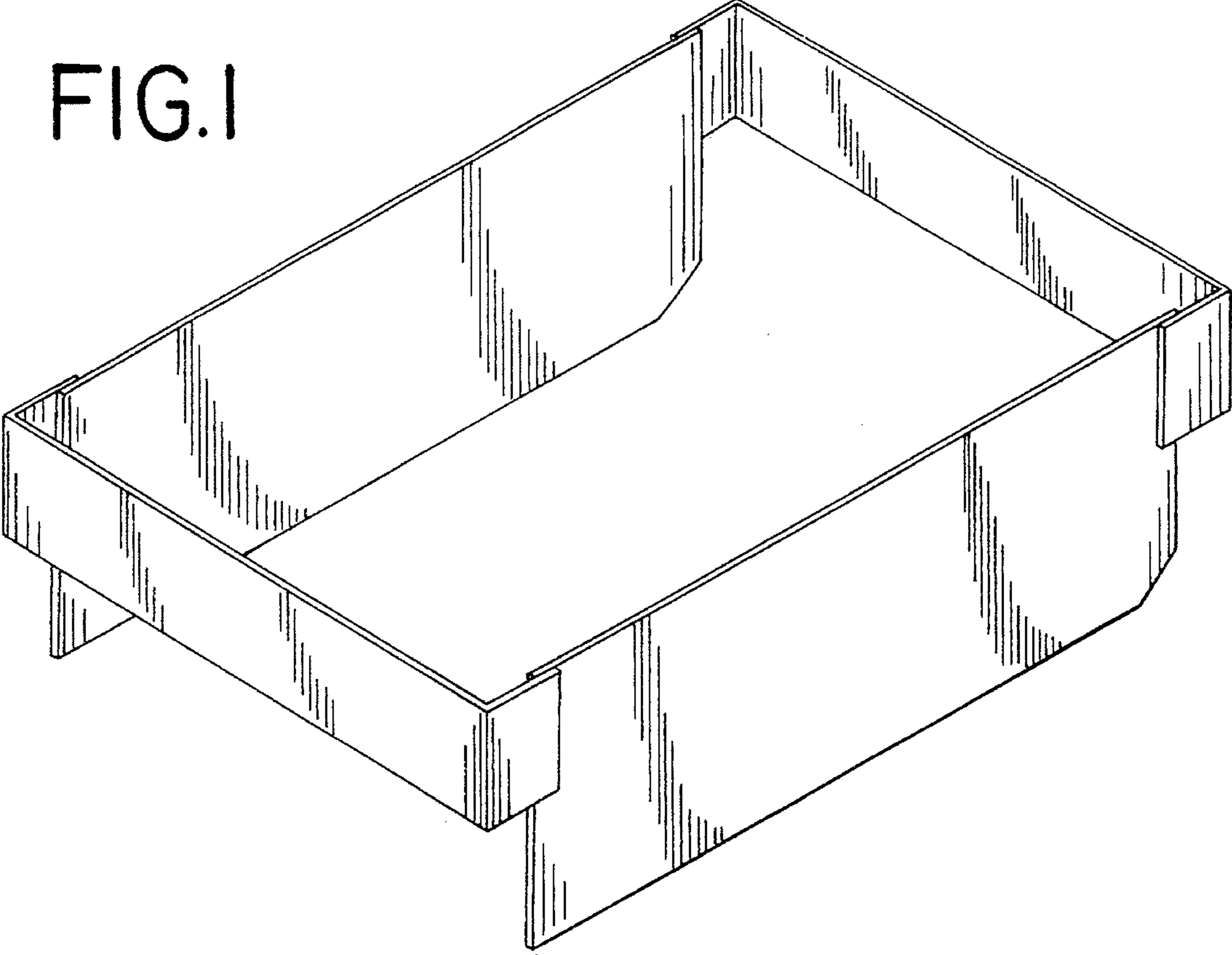


FIG.2

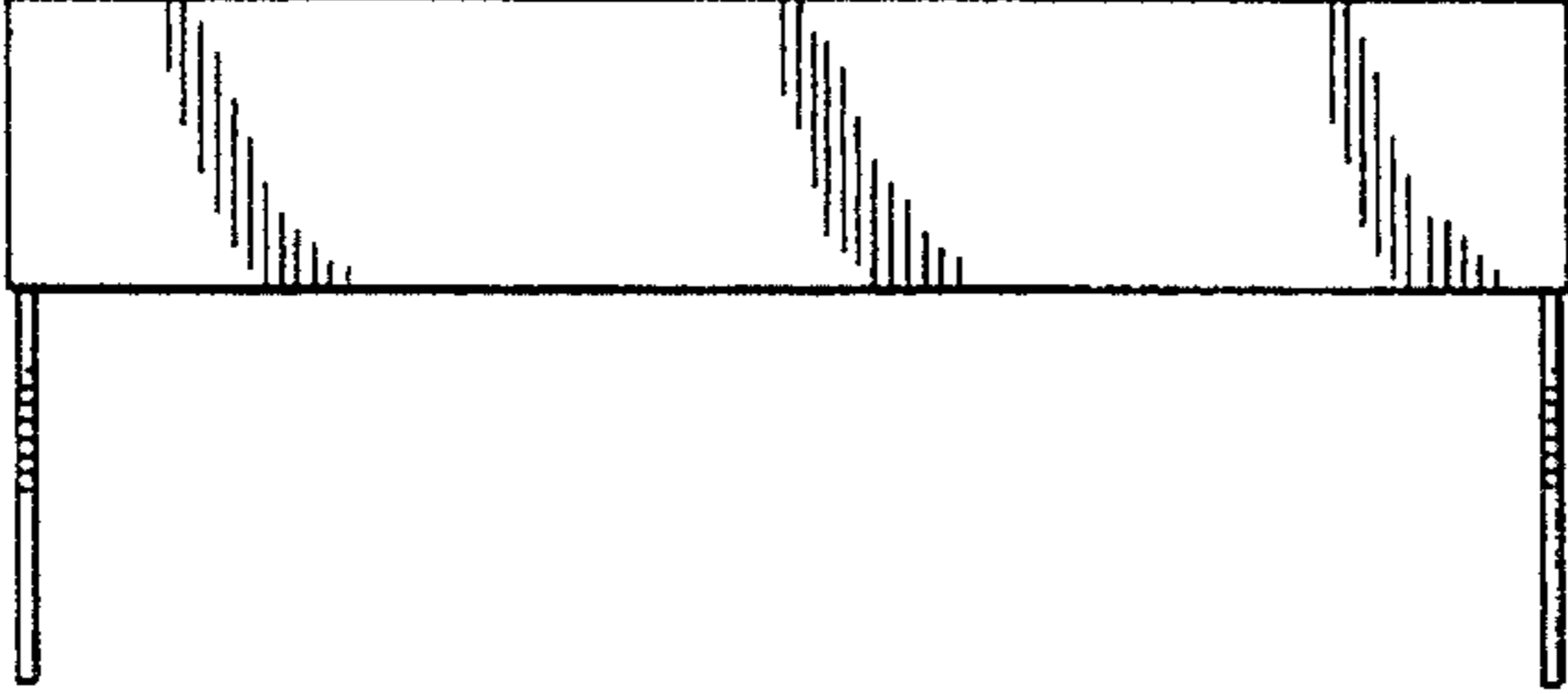


FIG.3

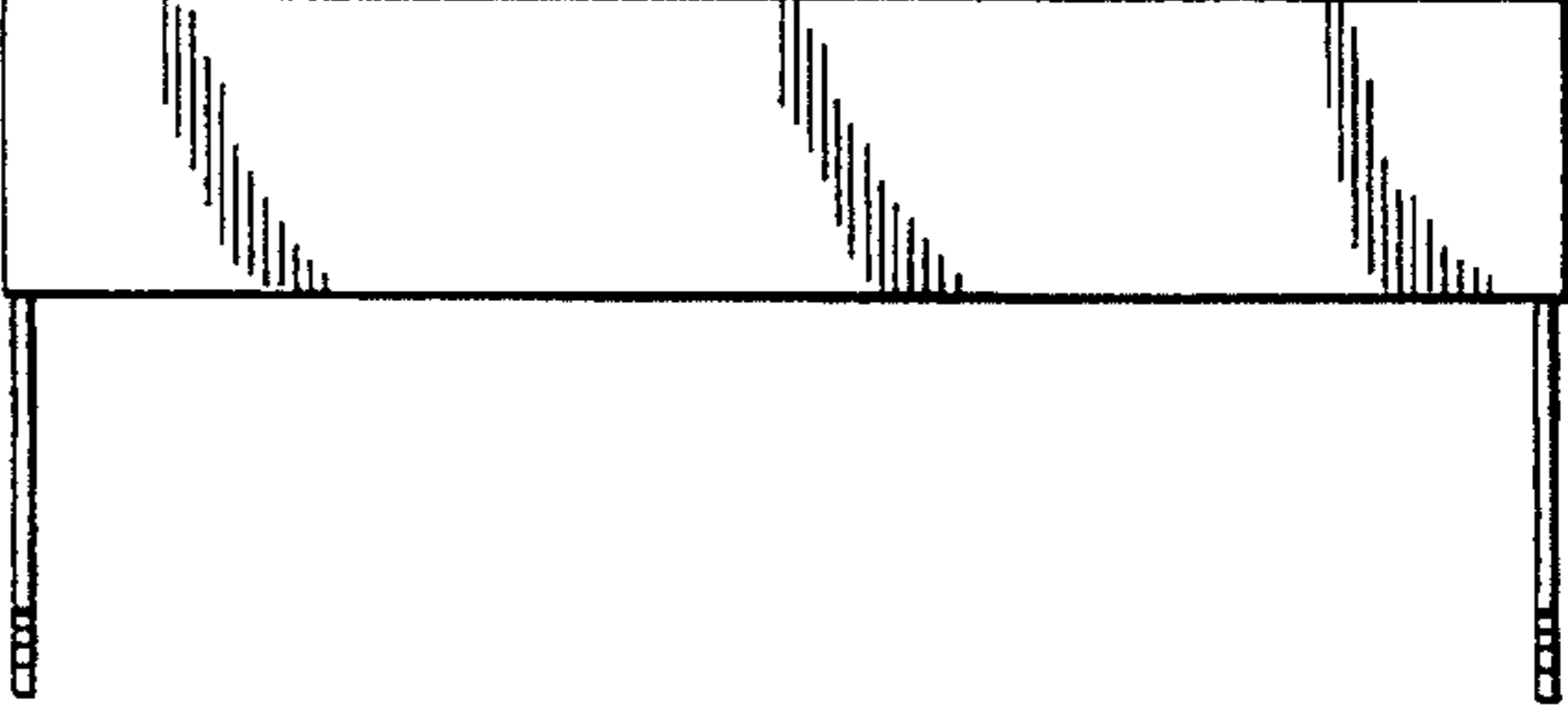


FIG.4

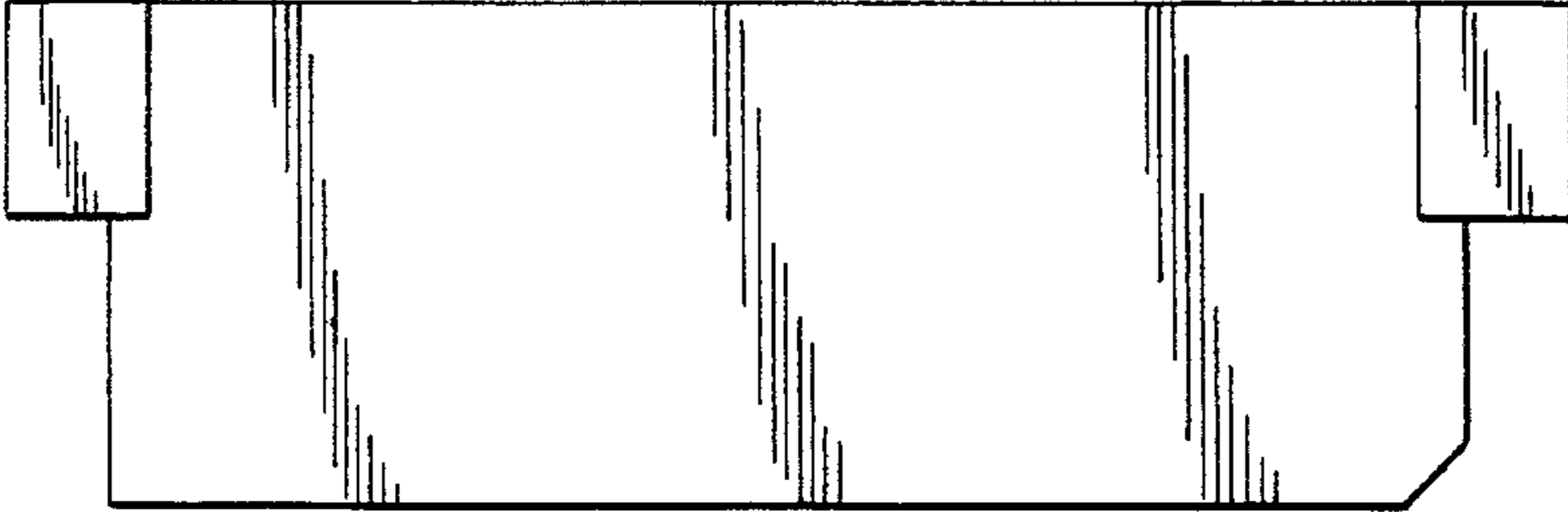


FIG. 5

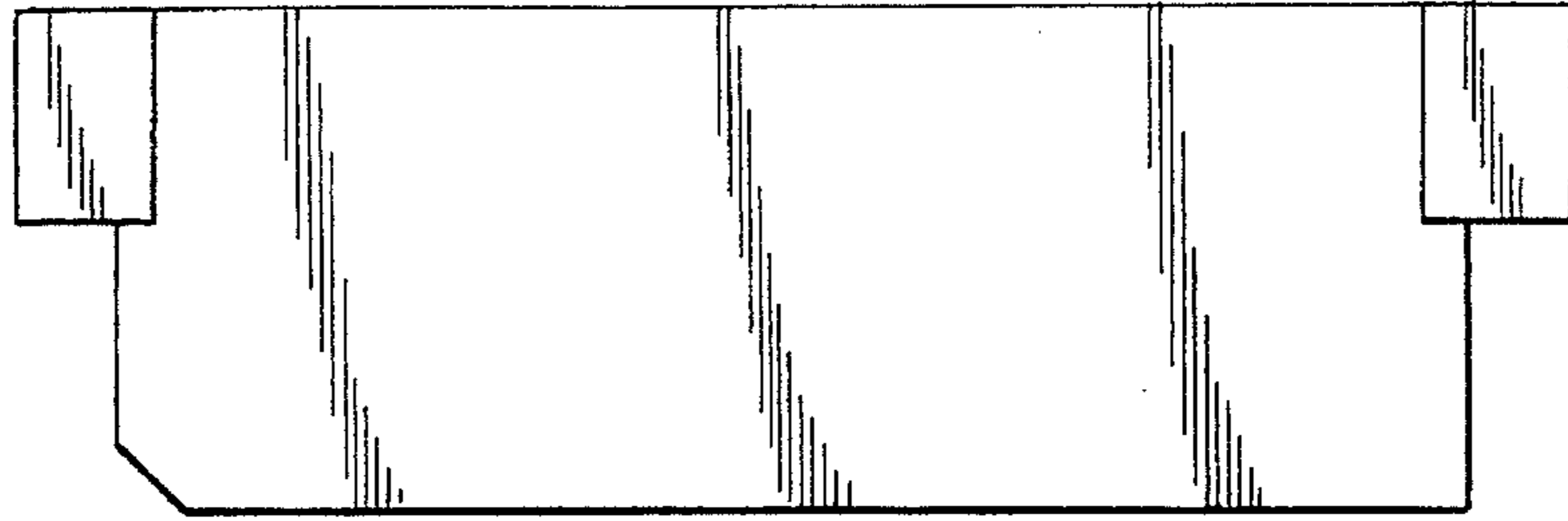


FIG. 6

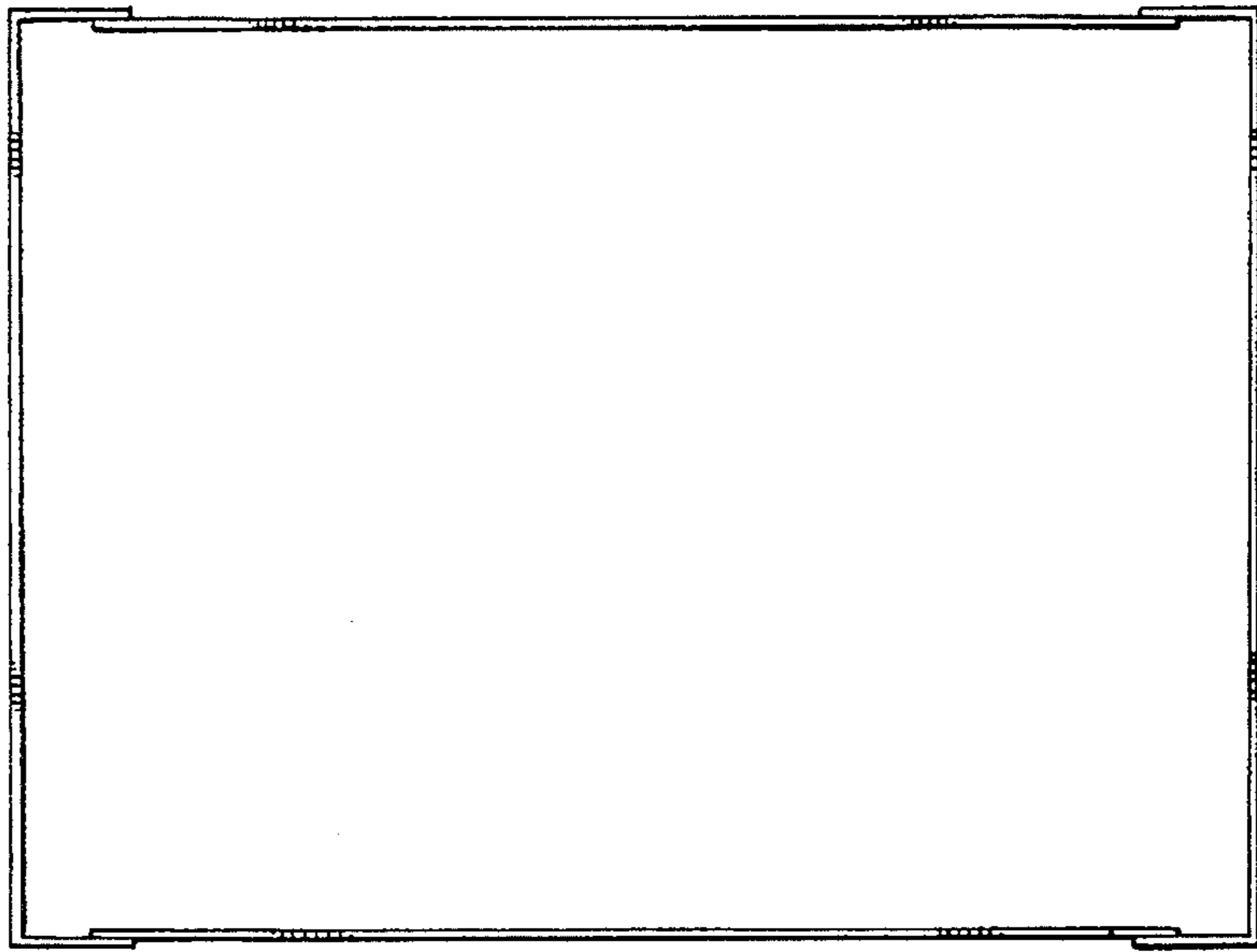


FIG. 7

