



US00D377681S

United States Patent [19]
Jaspers-Fayer

[11] **Patent Number: Des. 377,681**
[45] **Date of Patent: **Jan. 28, 1997**

[54] **CEILING FAN**

Attorney, Agent, or Firm—Cooper & Dunham

[75] Inventor: **Jan Jaspers-Fayer**, Idyllwild, Calif.

[57] **CLAIM**

[73] Assignee: **Minka Lighting, Inc.**, Corona, Calif.

The ornamental design for a ceiling fan, as shown and described.

[**] Term: **14 Years**

DESCRIPTION

[21] Appl. No.: **37,119**

FIG. 1 is a front top perspective view of a ceiling fan showing my new design;

[22] Filed: **Apr. 4, 1995**

FIG. 2 is a front bottom perspective view thereof;

[52] U.S. Cl. **D23/377; D23/379; D23/385**

FIG. 3 is a side perspective view thereof, the other sides being substantially identical except for the pull cord;

[58] Field of Search **D23/377, 379, D23/385, 411, 413; 416/5; 392/364**

FIG. 4 is a top perspective view thereof; and,

[56] **References Cited**

FIG. 5 is a bottom perspective view on a reduced scale thereof.

U.S. PATENT DOCUMENTS

The cross-hatching in FIGS. 1-5 represents conventional fabric and is understood to extend throughout the areas represented. The blades have been shown broken away in FIGS. 1-5 to show indeterminate length. The canopy and top wires have been shown broken away in FIGS. 1-4 for convenience of illustration.

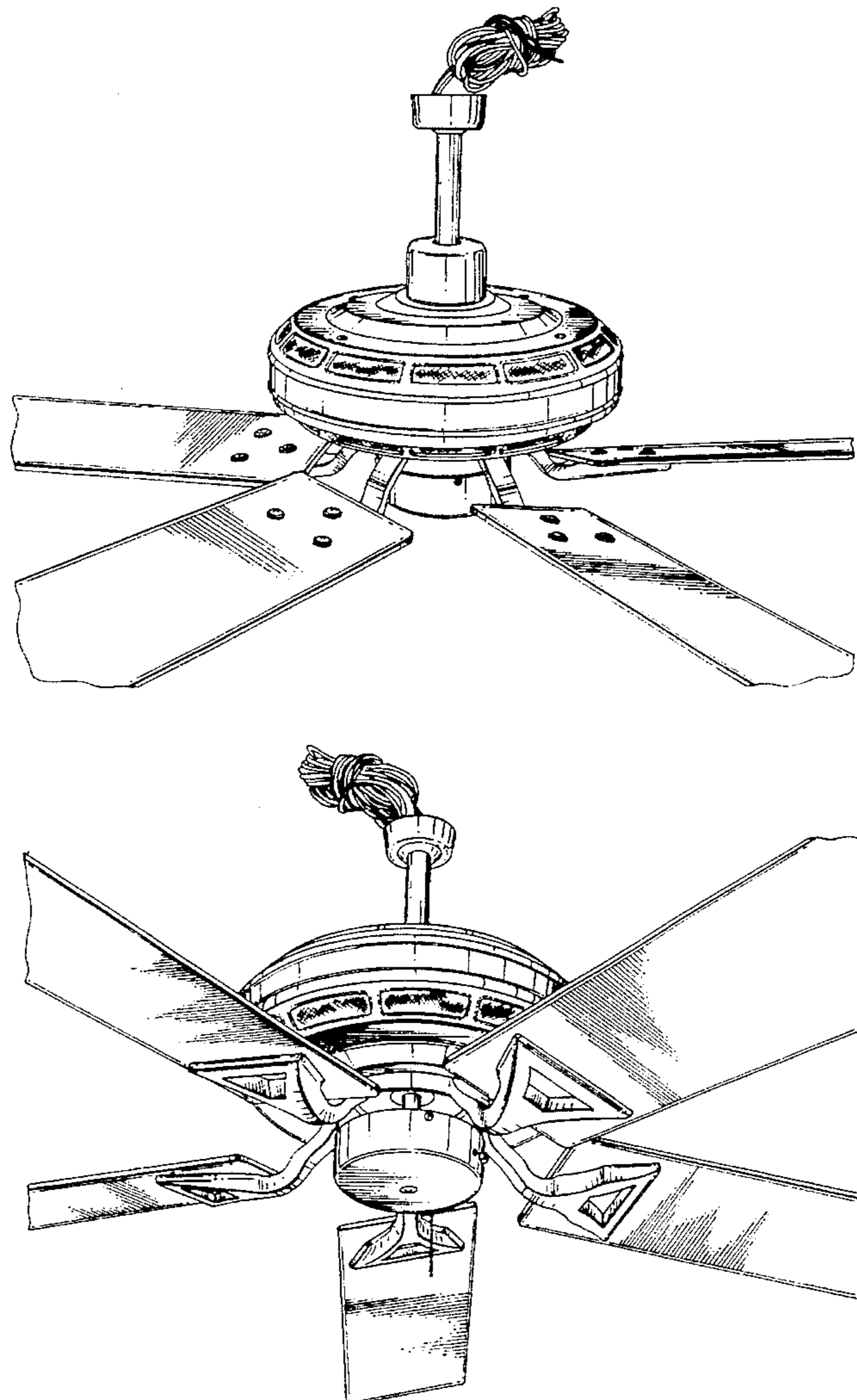
D. 346,209 4/1994 Holbrook D23/411

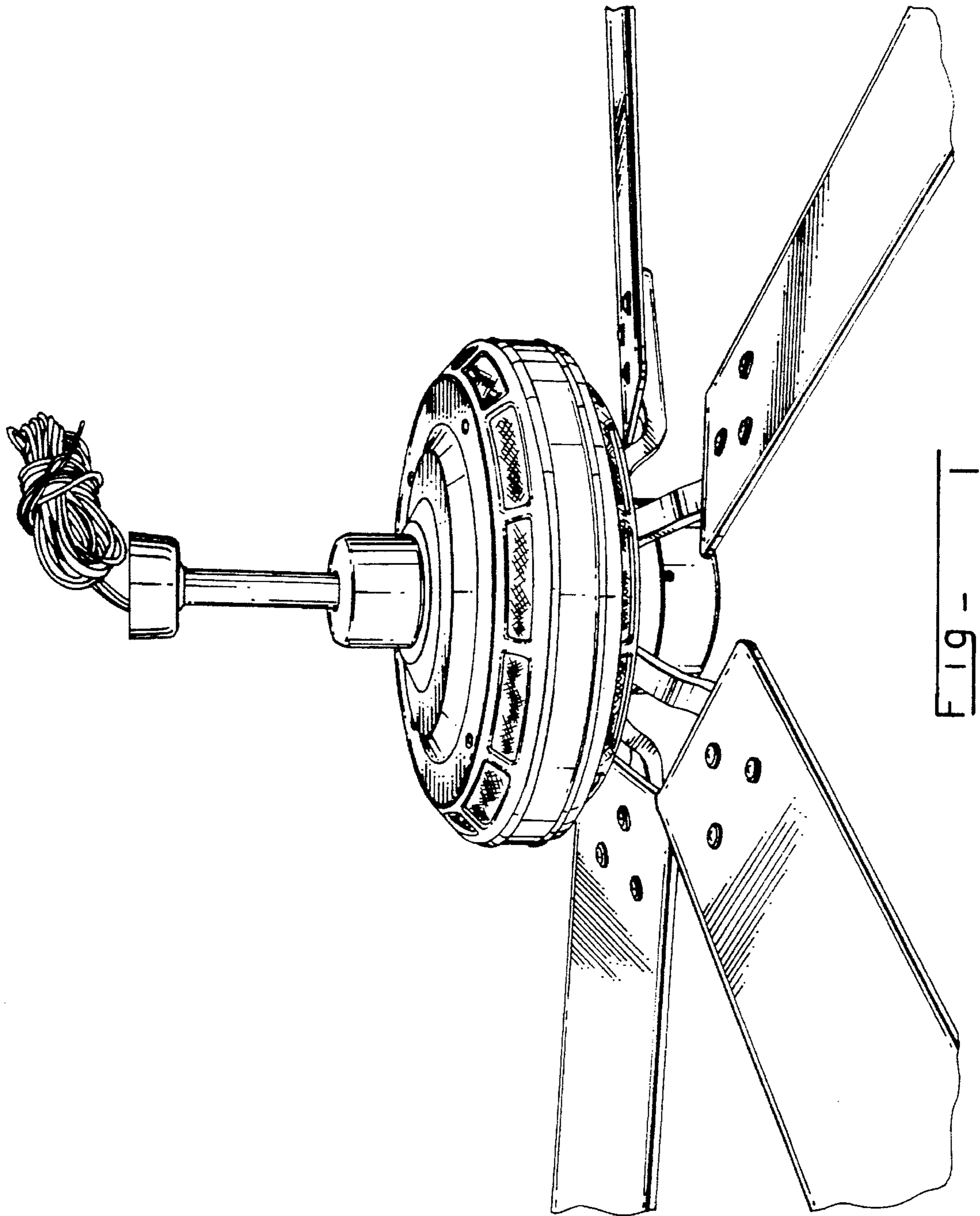
OTHER PUBLICATIONS

Beverly Hills Fan Co. Cat., p. 19, Ceiling Fan (A).
Nutone Cat.; (C) Apr. 1980, front cover, Ceiling Fan (B).

Primary Examiner—Lisa P. Lichtenstein

1 Claim, 5 Drawing Sheets





F 19 - 1

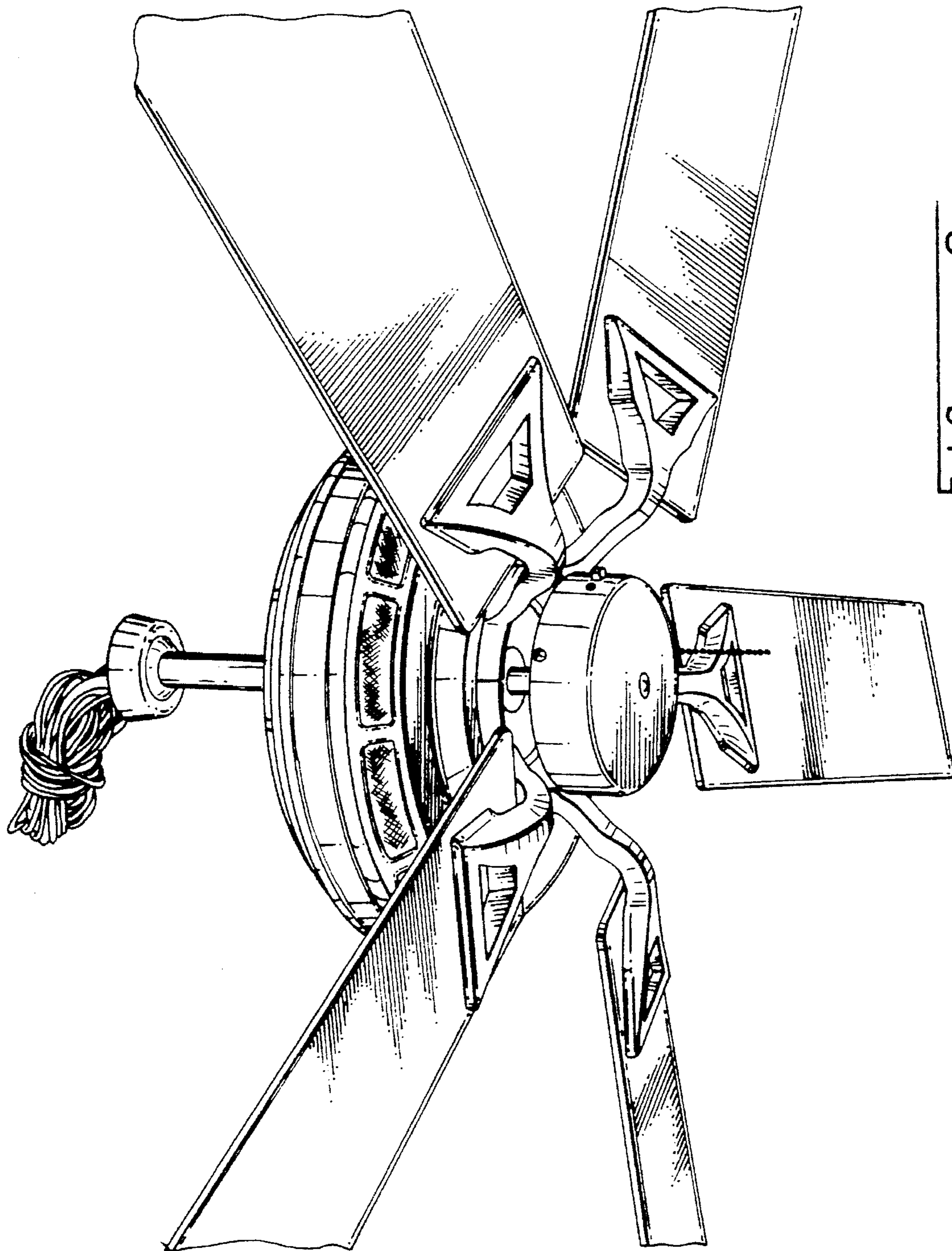
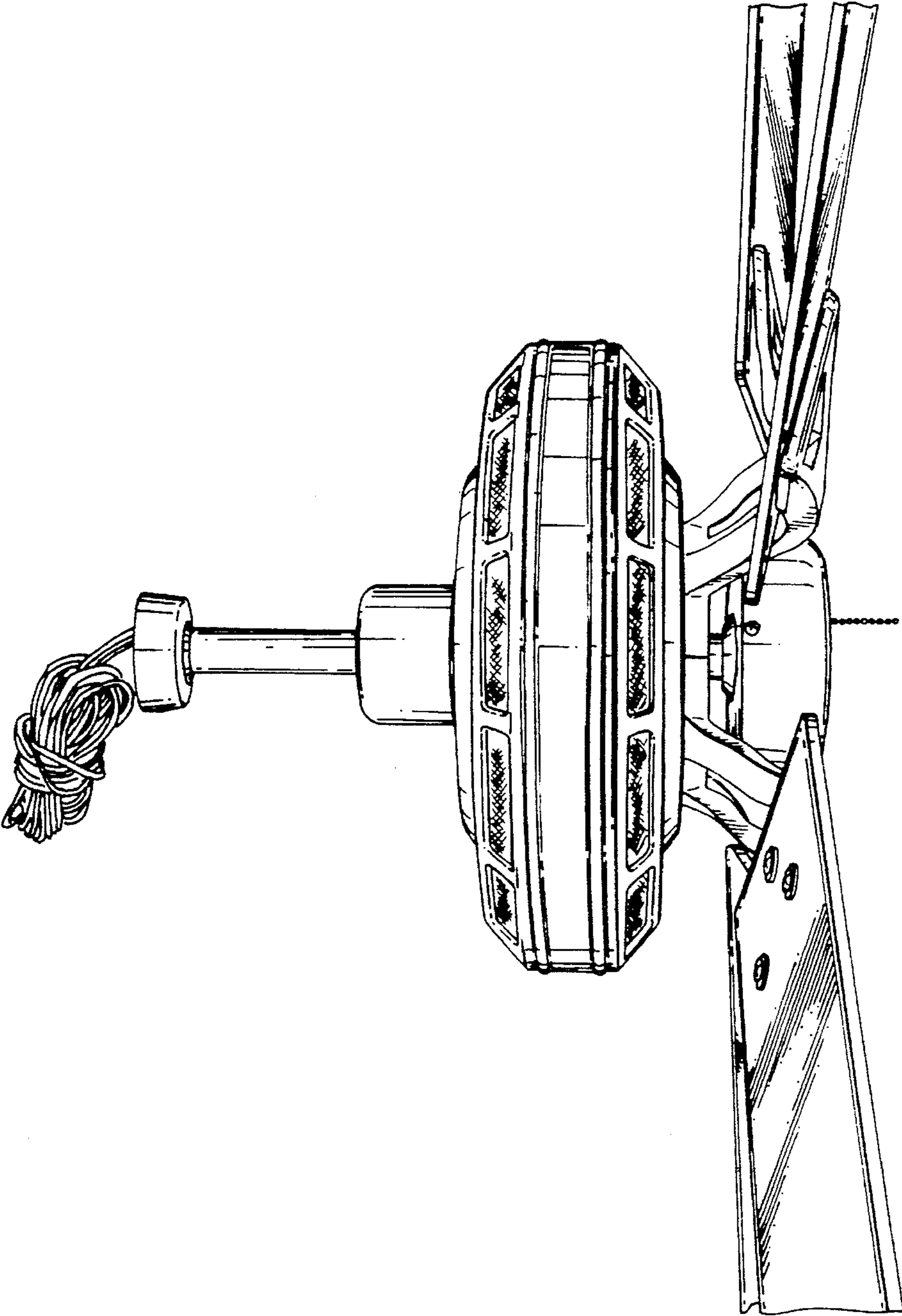


FIG- 2



F19- 3

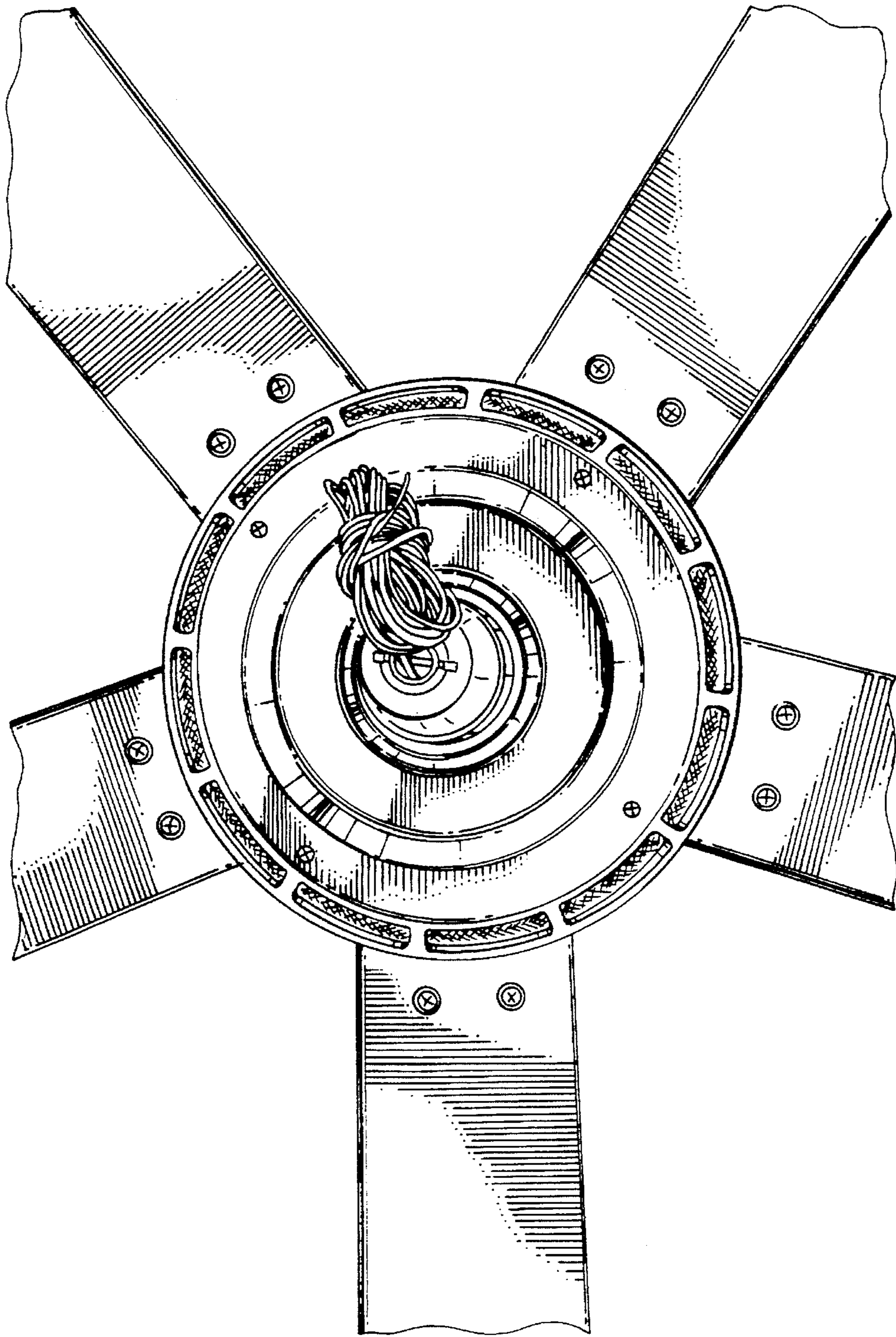


FIG- 4

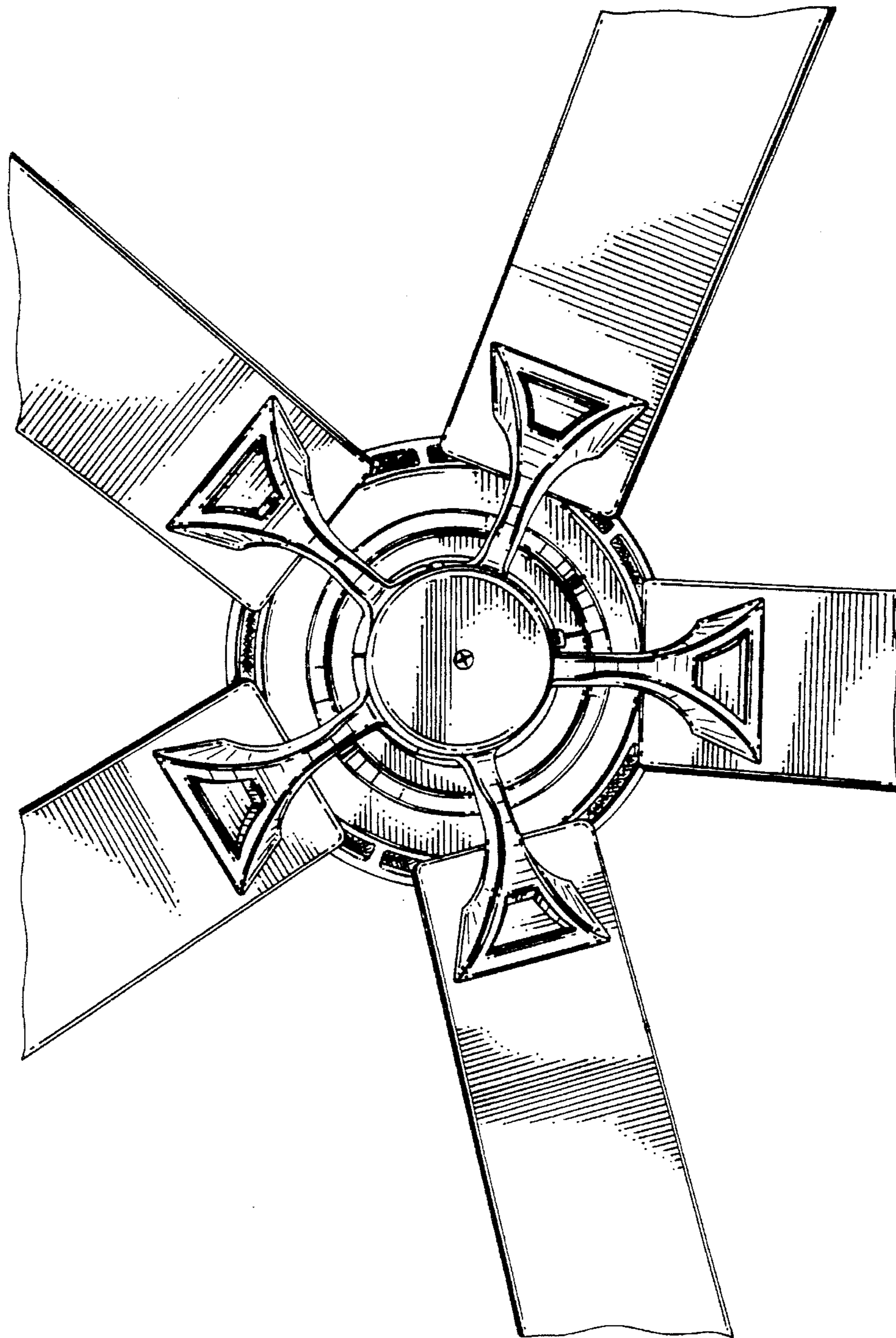


FIG. 5