



US00D377679S

**United States Patent** [19]  
**Gottwald**

[11] **Patent Number: Des. 377,679**

[45] **Date of Patent: \*\*Jan. 28, 1997**

[54] **FAUCET**

[75] **Inventor: Adolf Gottwald, Iserlohn, Germany**

[73] **Assignee: Friedrich Grohe Aktiengesellschaft, Hemer, Germany**

[\*\*] **Term: 14 Years**

[21] **Appl. No.: 46,663**

[22] **Filed: Oct. 20, 1995**

[30] **Foreign Application Priority Data**

May 17, 1995 [DE] Germany ..... M9504047.1

[52] **U.S. Cl. .... D23/238**

[58] **Field of Search .... D23/238-243, D23/250-257; 4/675-678; 137/801**

[56] **References Cited**

**U.S. PATENT DOCUMENTS**

D. 281,097 10/1985 Arnold et al. .... D23/243 X

D. 331,276	11/1992	Knapp	.....	D23/238
D. 343,227	1/1994	Dannenberg et al.	.....	D23/238
D. 364,213	11/1995	Dannenberg et al.	.....	D23/238
D. 366,098	1/1996	Gottwald	.....	D23/238

*Primary Examiner*—Louis S. Zarfes  
*Assistant Examiner*—Eric Watterson  
*Attorney, Agent, or Firm*—Herbert Dubno

[57] **CLAIM**

The ornamental design for a faucet, as shown.

**DESCRIPTION**

FIG. 1 is a top, front left-side perspective view of a faucet showing my new design;

FIG. 2 is a right side elevational view thereof;

FIG. 3 is a left side elevational view thereof;

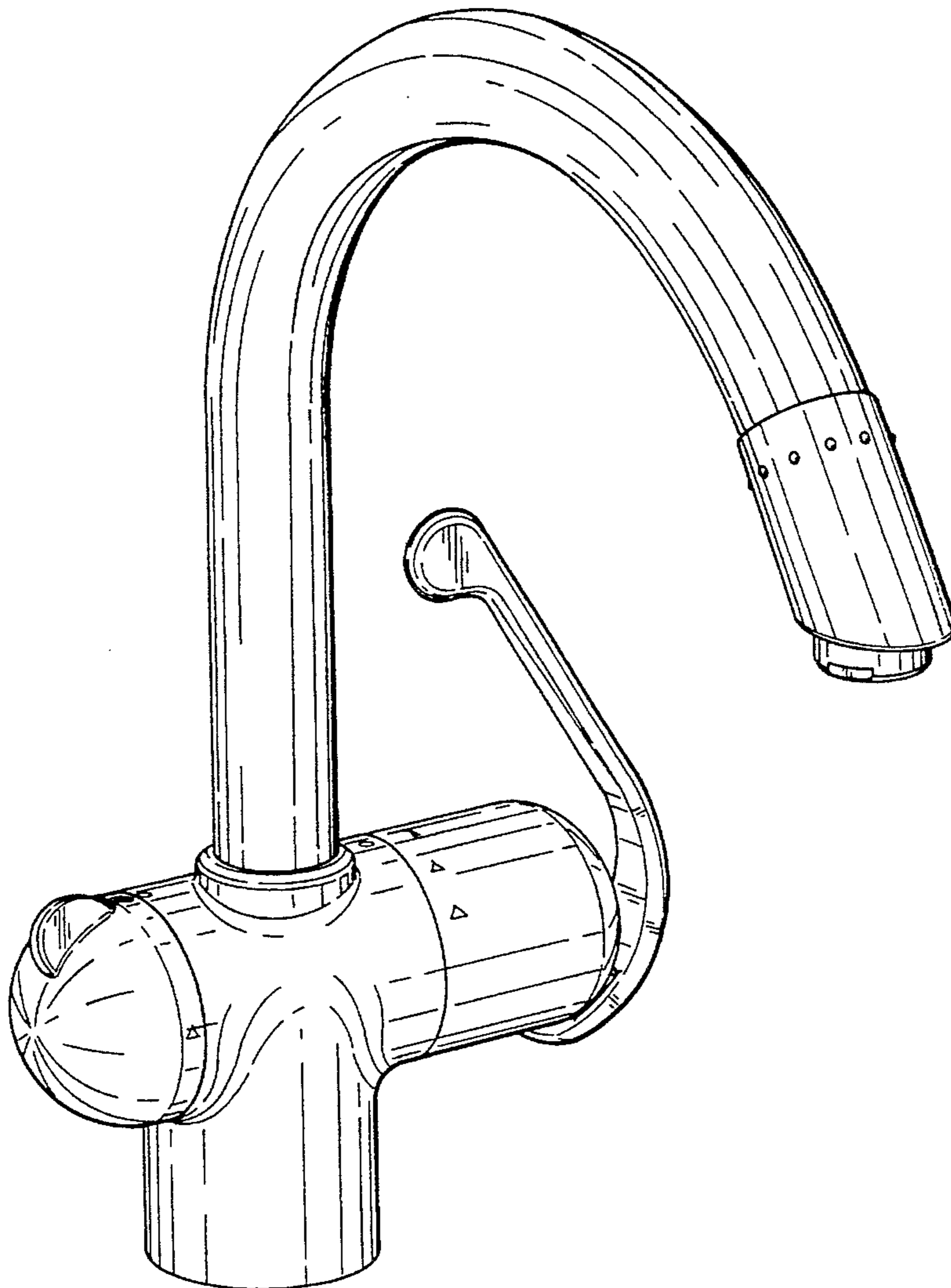
FIG. 4 is a front elevational view thereof;

FIG. 5 is a rear view thereof;

FIG. 6 is a top view thereof; and,

FIG. 7 is a bottom view thereof.

**1 Claim, 7 Drawing Sheets**



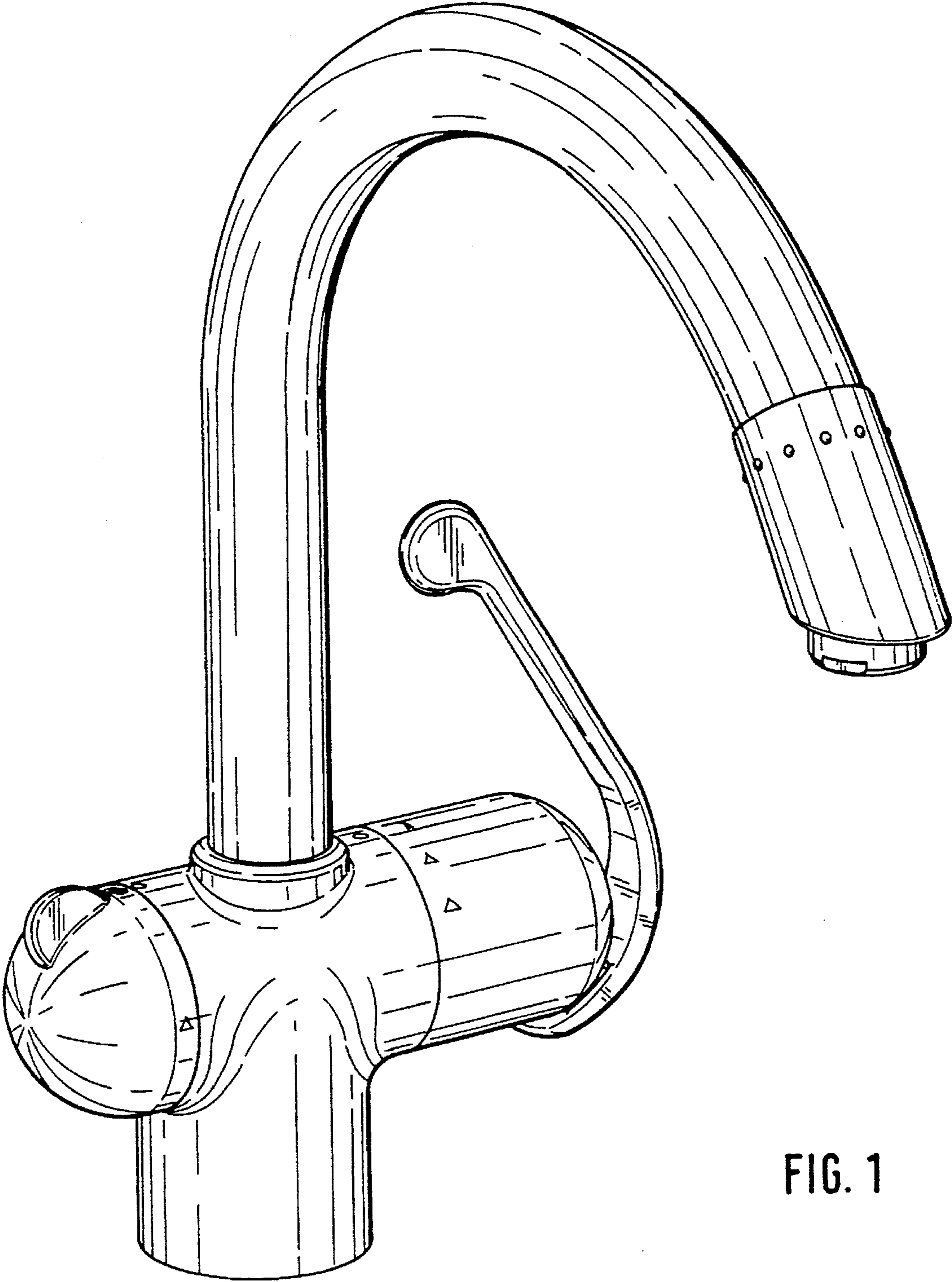


FIG. 1

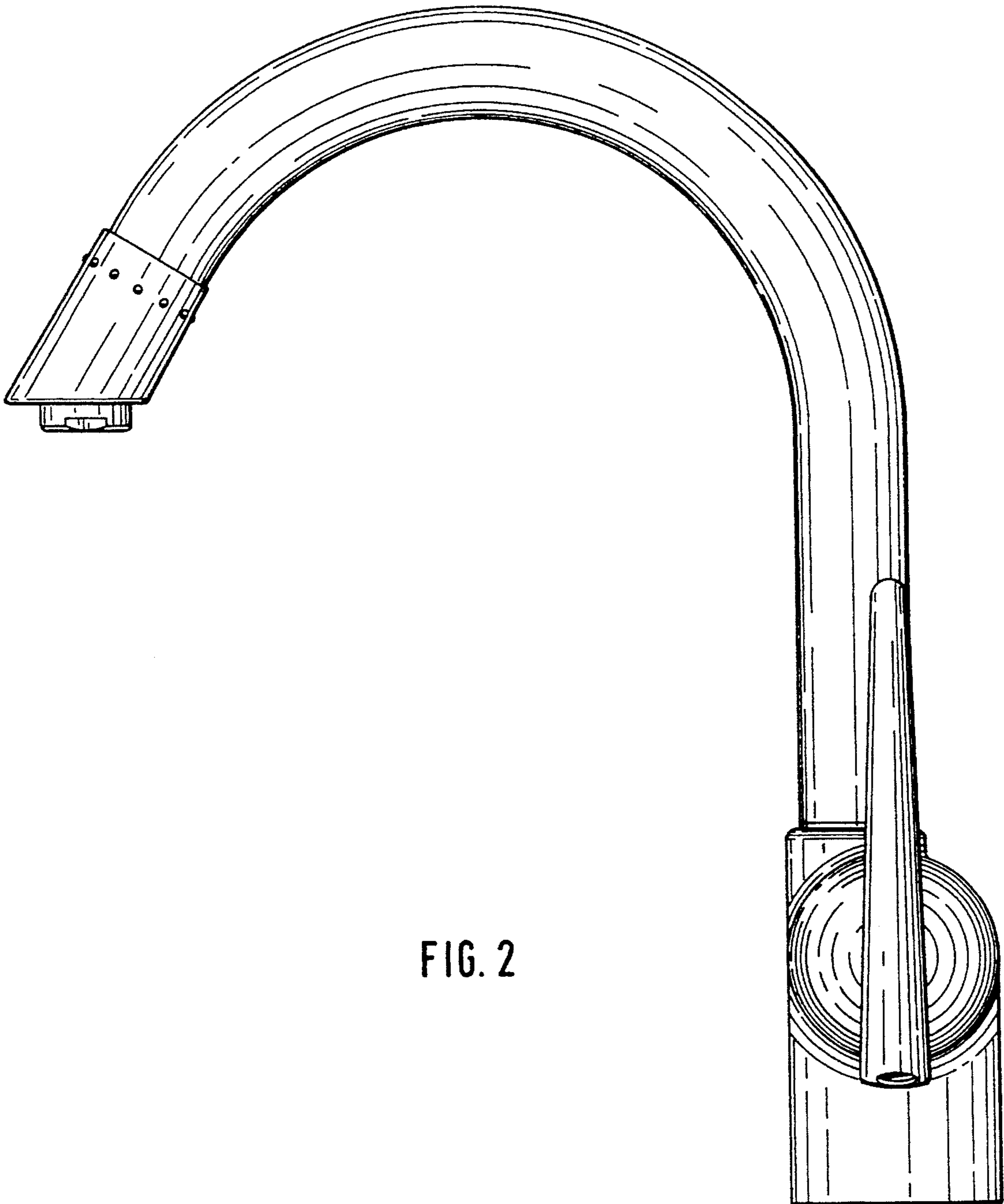


FIG. 2

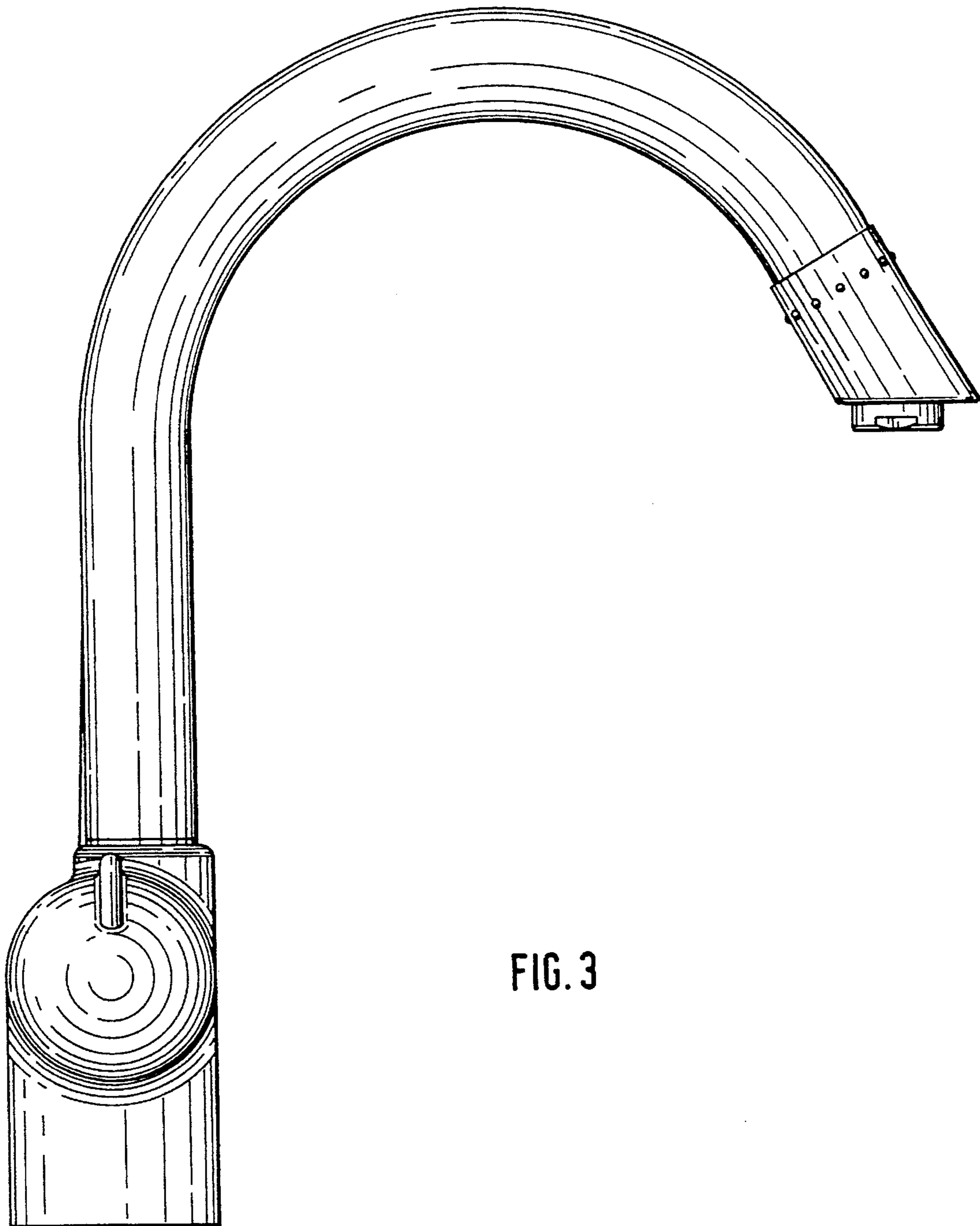


FIG. 3

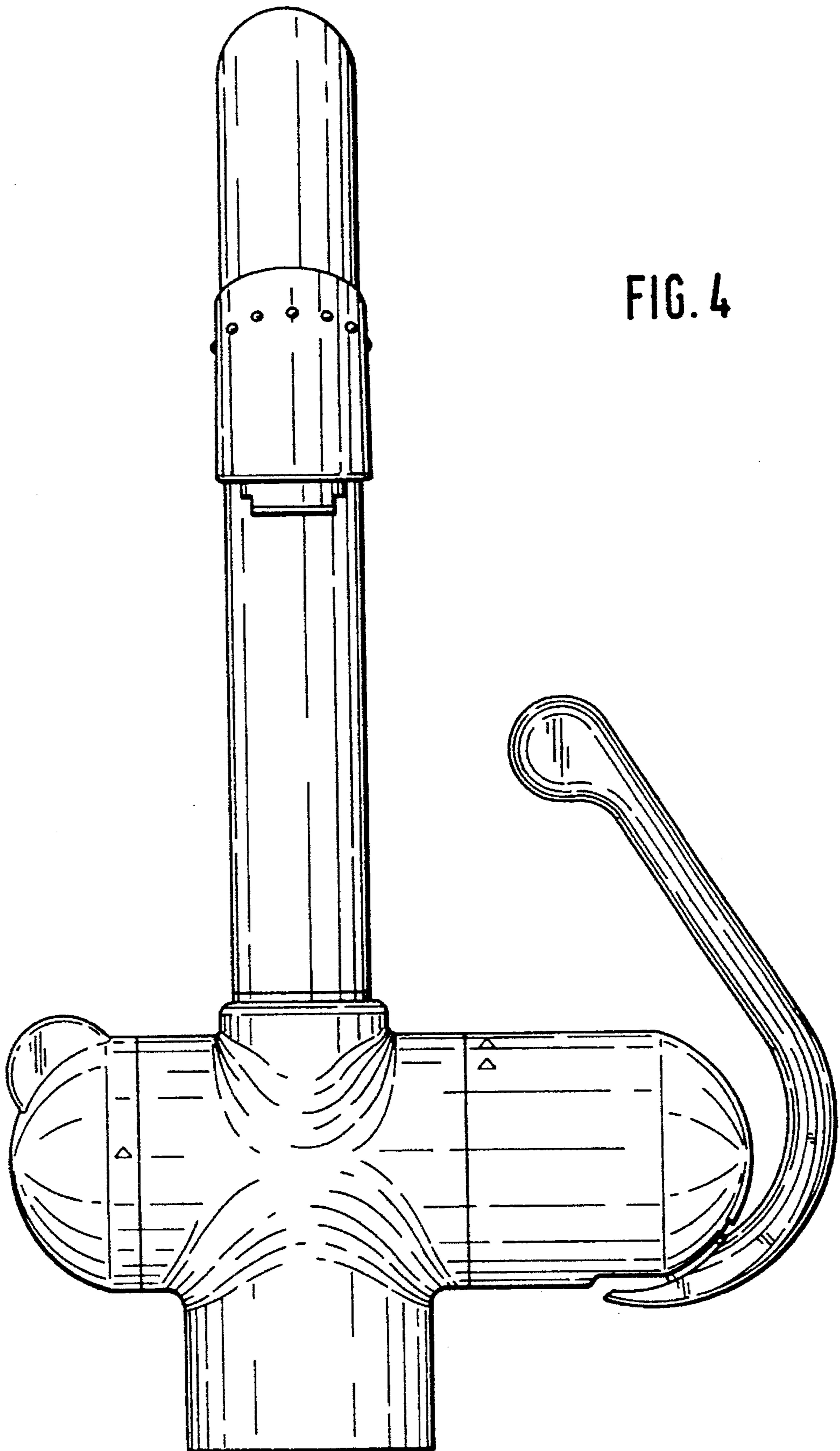
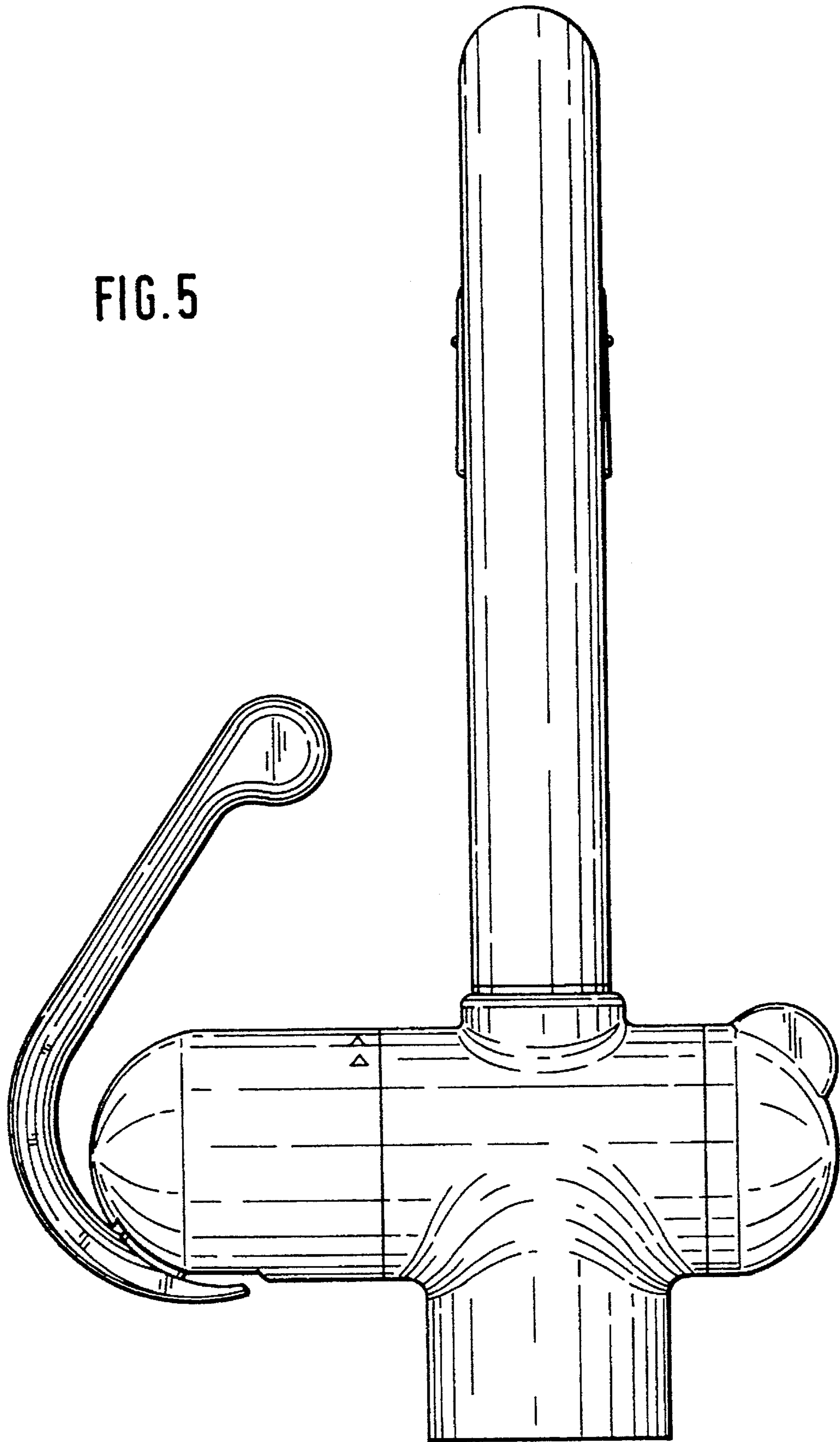


FIG. 4

FIG. 5



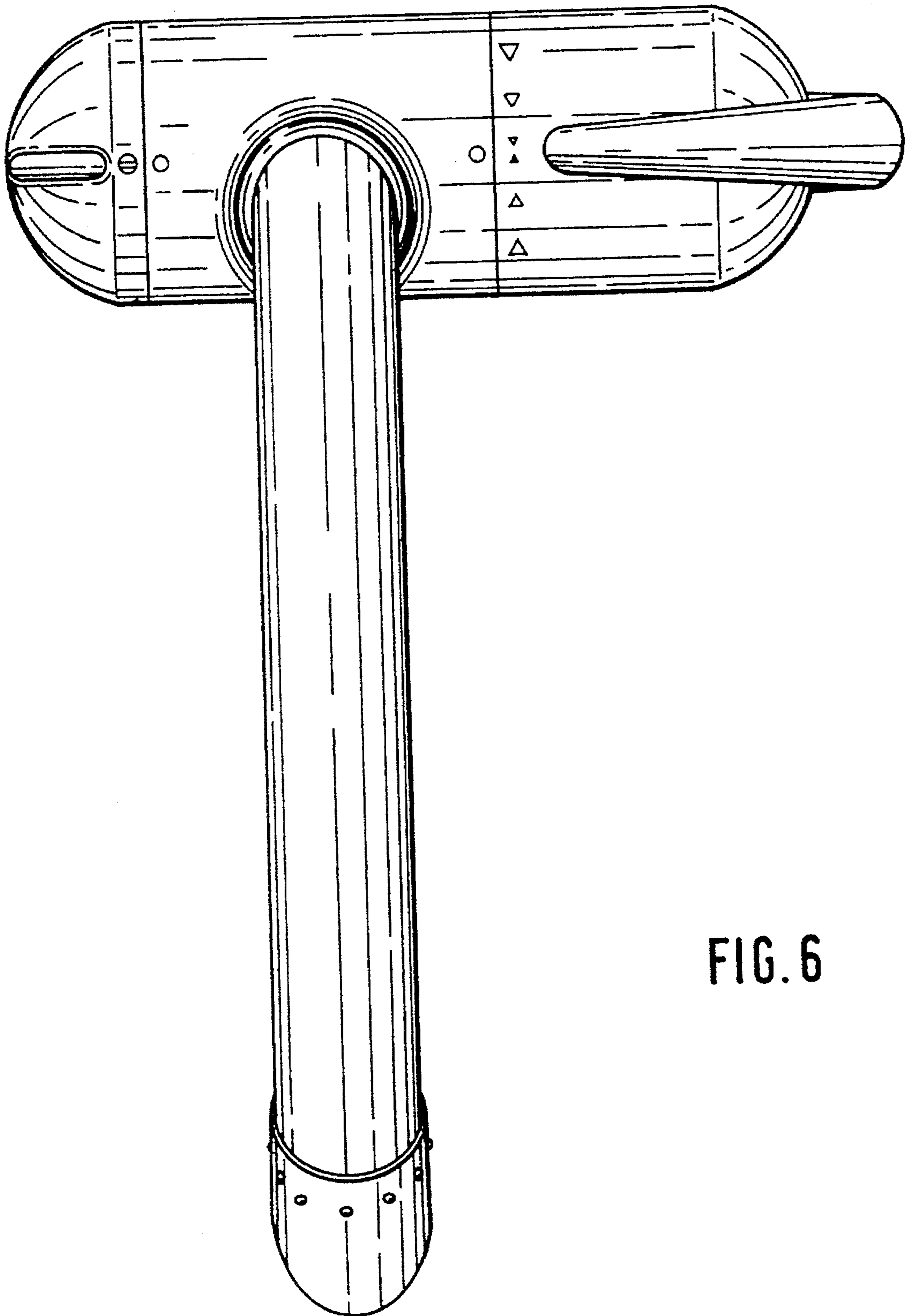


FIG. 6

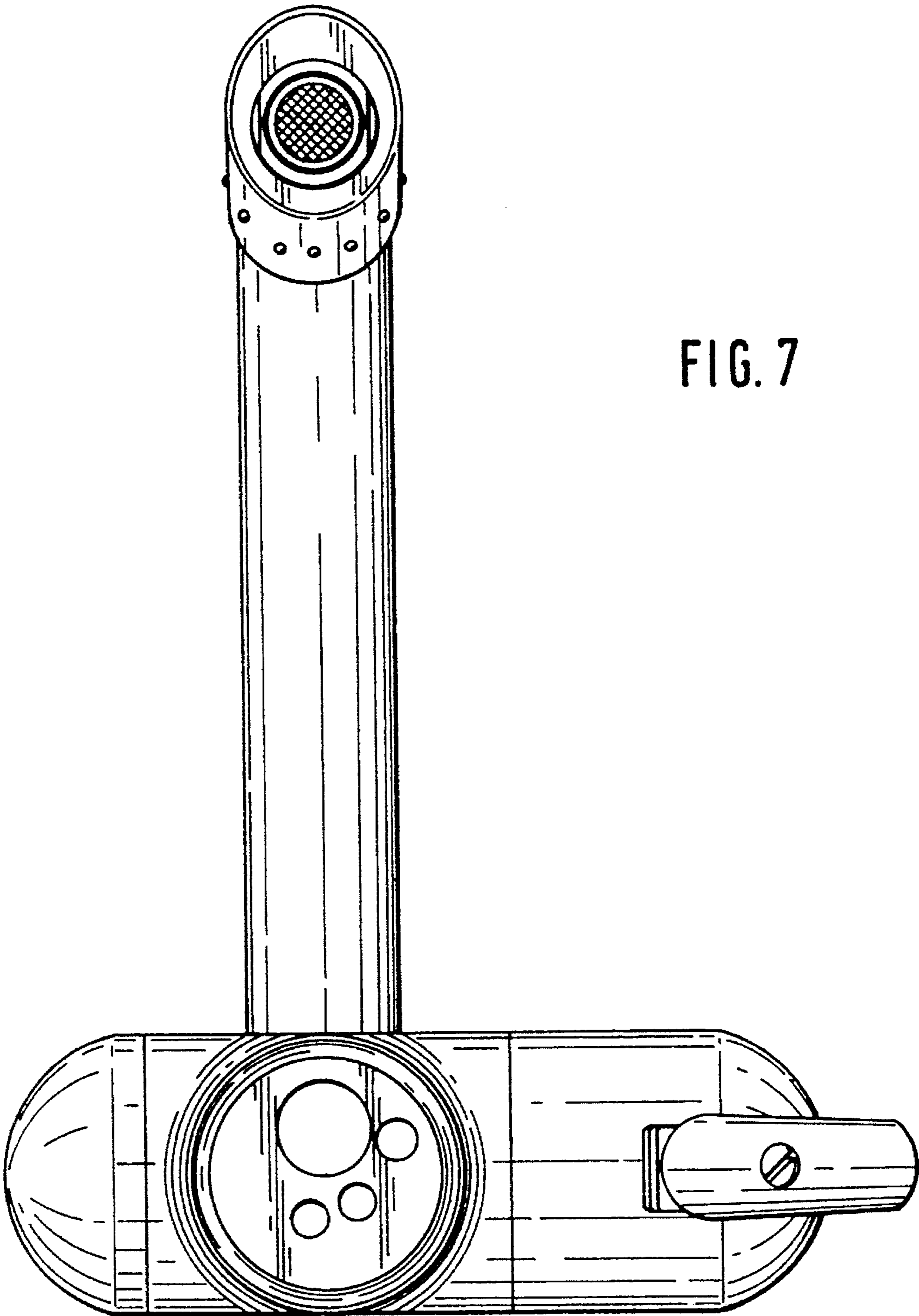


FIG. 7