



US00D377678S

United States Patent [19]
Gottwald

[11] **Patent Number: Des. 377,678**

[45] **Date of Patent: **Jan. 28, 1997**

[54] **WASHING TABLE FAUCET**

[75] **Inventor: Adolf Gottwald, Iserlohn, Germany**

[73] **Assignee: Friedrich Grohe Aktiengesellschaft, Hemer, Germany**

[**] **Term: 14 Years**

[21] **Appl. No.: 43,371**

[22] **Filed: Aug. 25, 1995**

[30] **Foreign Application Priority Data**

Feb. 27, 1995 [DE] Germany 95 01 629.5

[52] **U.S. Cl. D23/238**

[58] **Field of Search** D23/238-243,
D23/250-257; 4/623, 675-678; 137/801

[56] **References Cited**

U.S. PATENT DOCUMENTS

D. 253,607 12/1979 Haug D23/238

D. 291,232 8/1987 Haug et al. D23/238

D. 324,904 3/1992 Haug et al. D23/238

D. 350,388 9/1994 Gottwald D23/238

D. 353,650 12/1994 Haug et al. D23/238

D. 360,678 7/1995 Mine D23/238

Primary Examiner—Louis S. Zarfes
Assistant Examiner—Eric Watterson
Attorney, Agent, or Firm—Herbert Dubno

[57] **CLAIM**

The ornamental design for a washing table faucet, as shown and described.

DESCRIPTION

FIG. 1 is a top, front, left-side perspective view of a washing table faucet showing my new design;

FIG. 2 is a top view thereof;

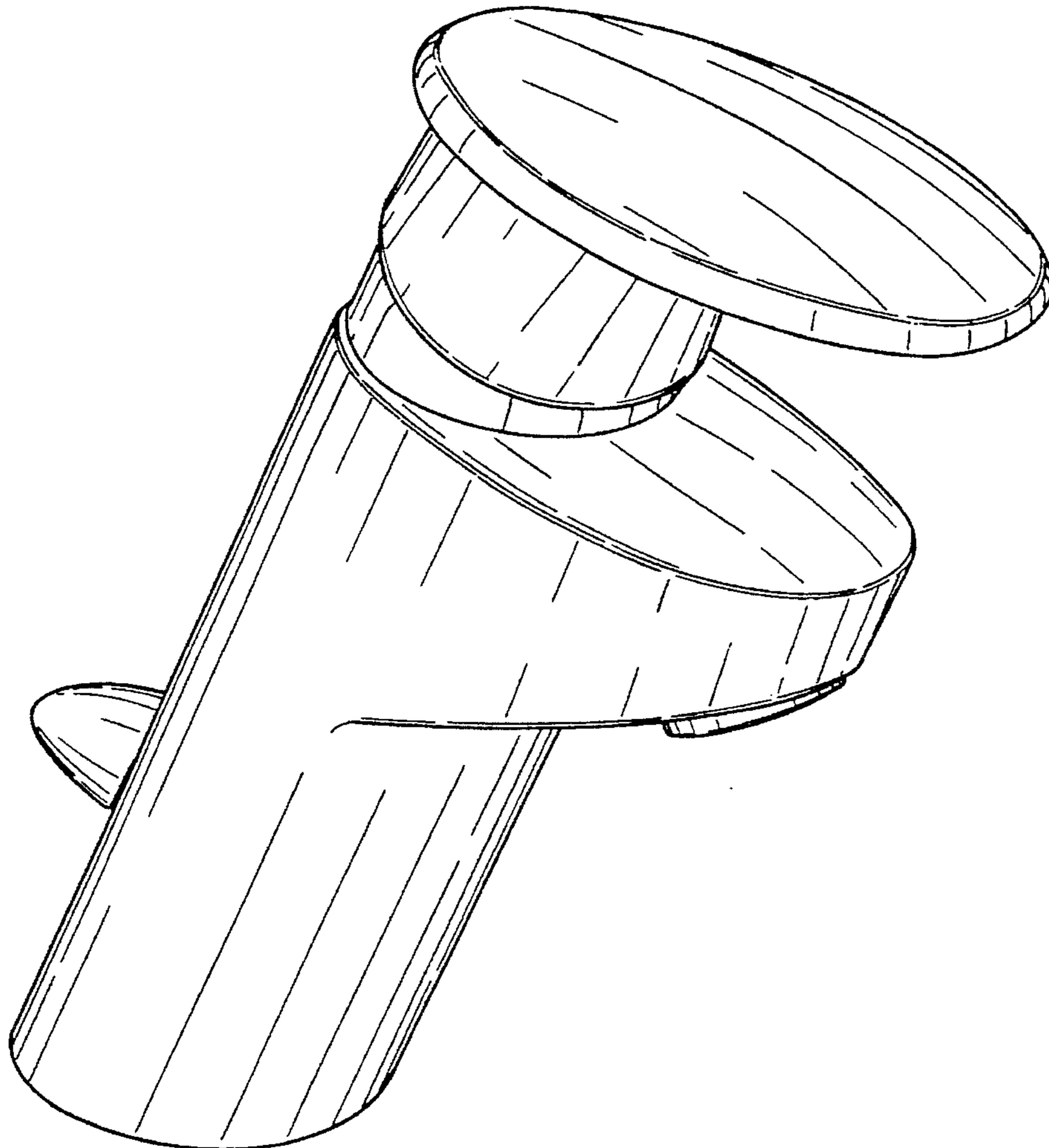
FIG. 3 is a left side elevational view thereof, the right side view being mirror symmetrical;

FIG. 4 is a bottom view thereof;

FIG. 5 is a rear view thereof; and,

FIG. 6 is a front view thereof.

1 Claim, 3 Drawing Sheets



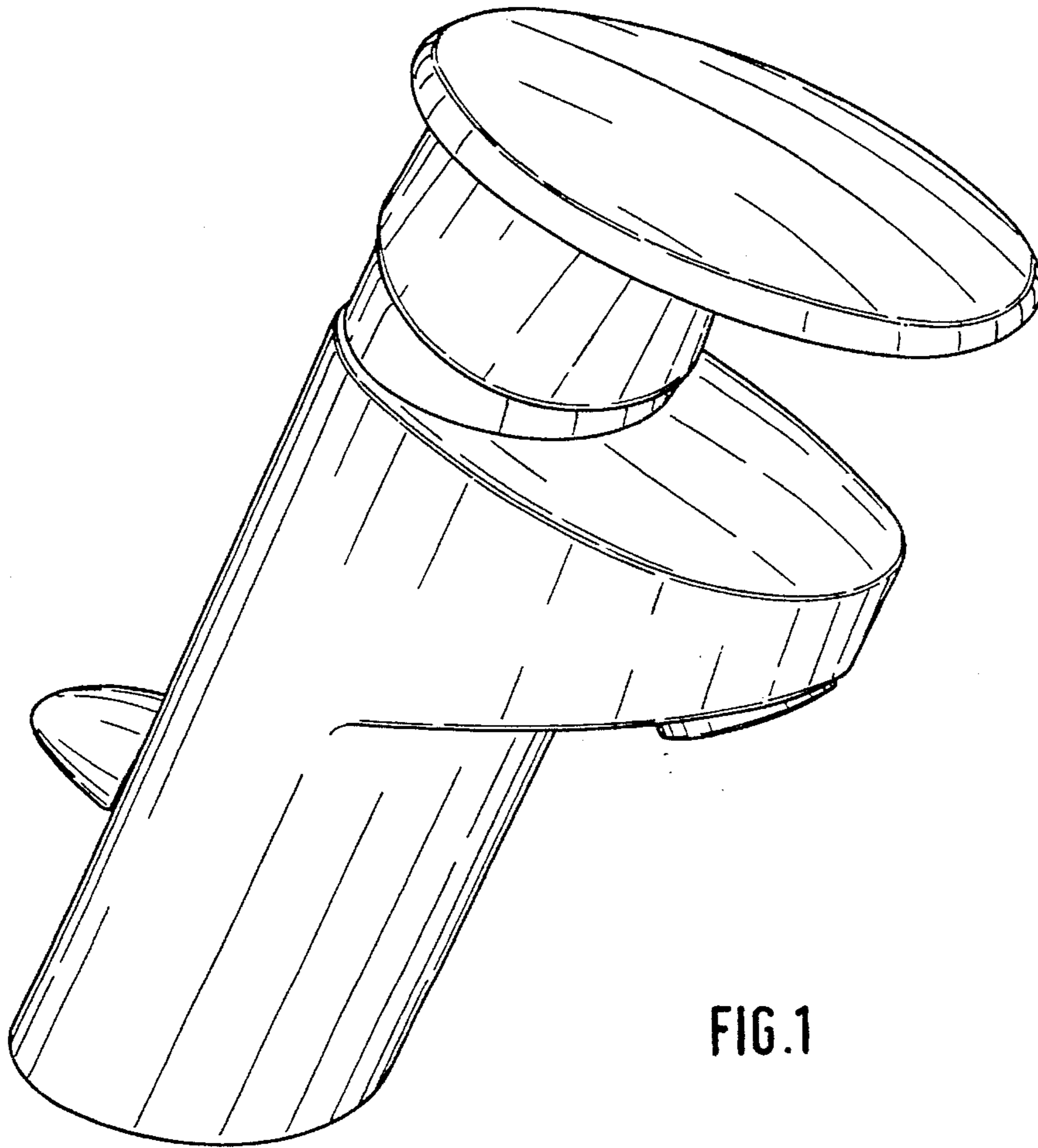
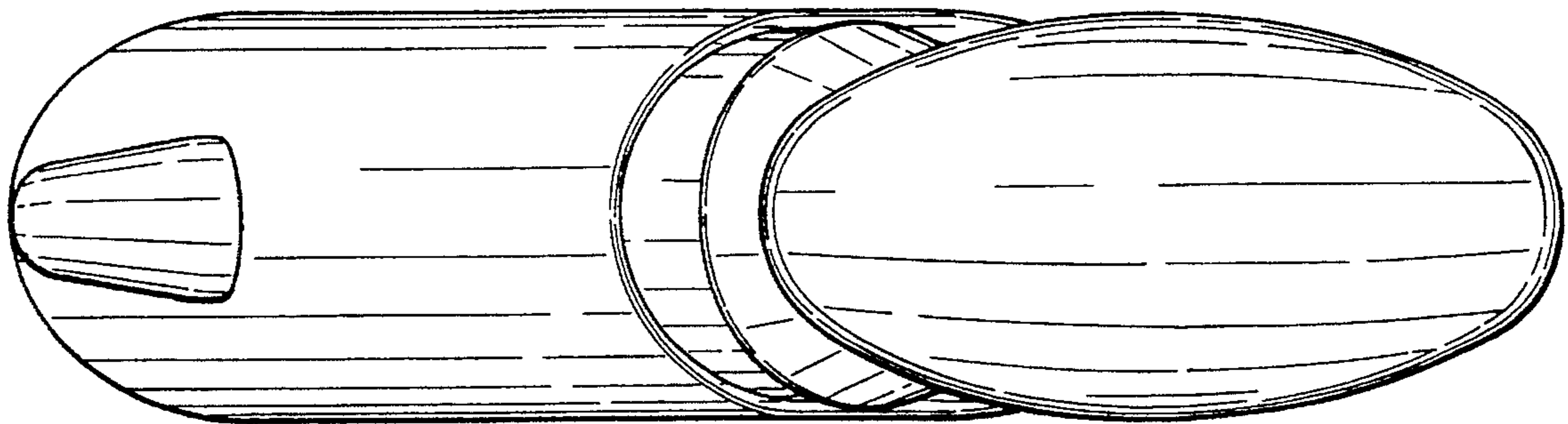


FIG. 1

FIG. 2



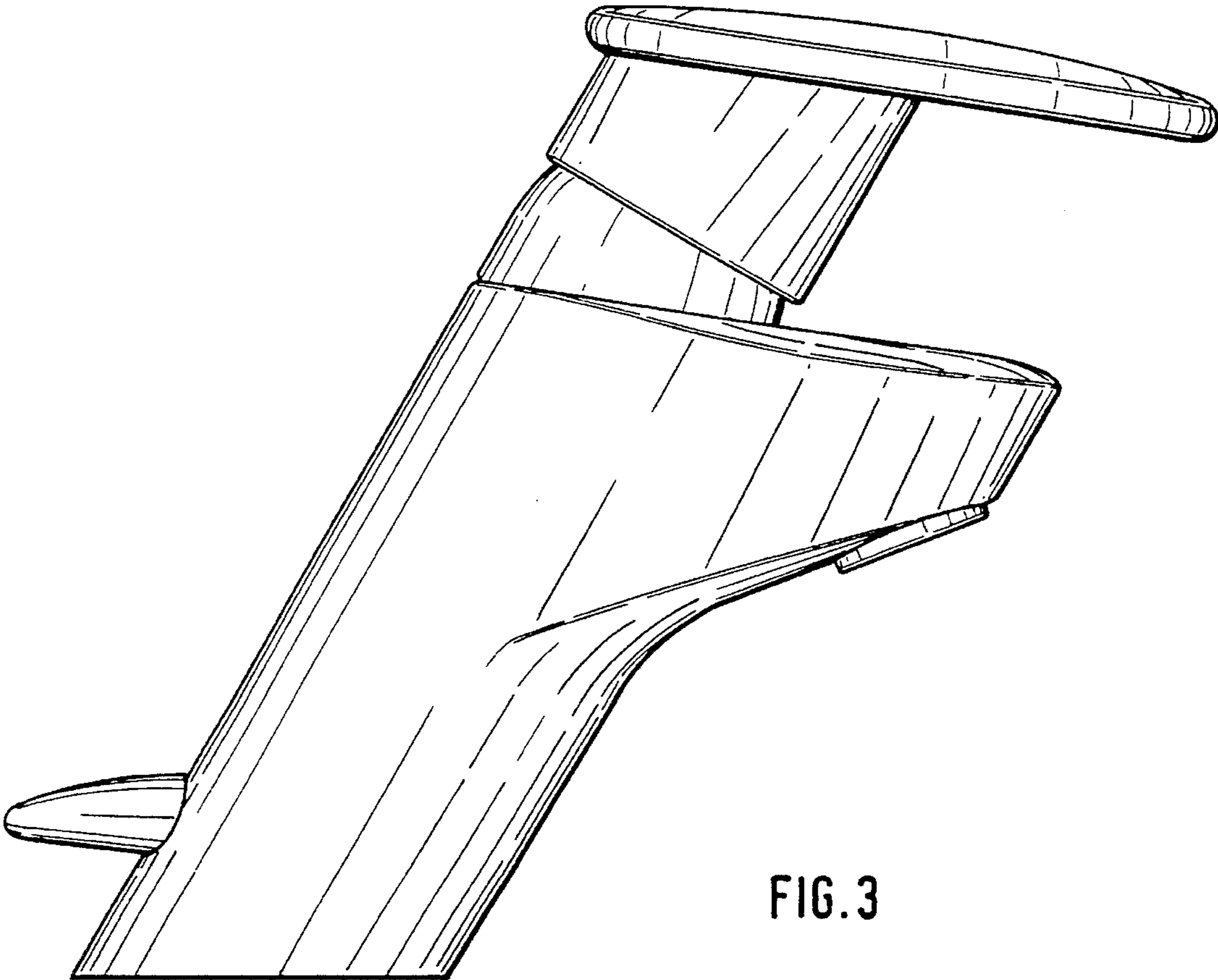


FIG. 3

FIG. 4

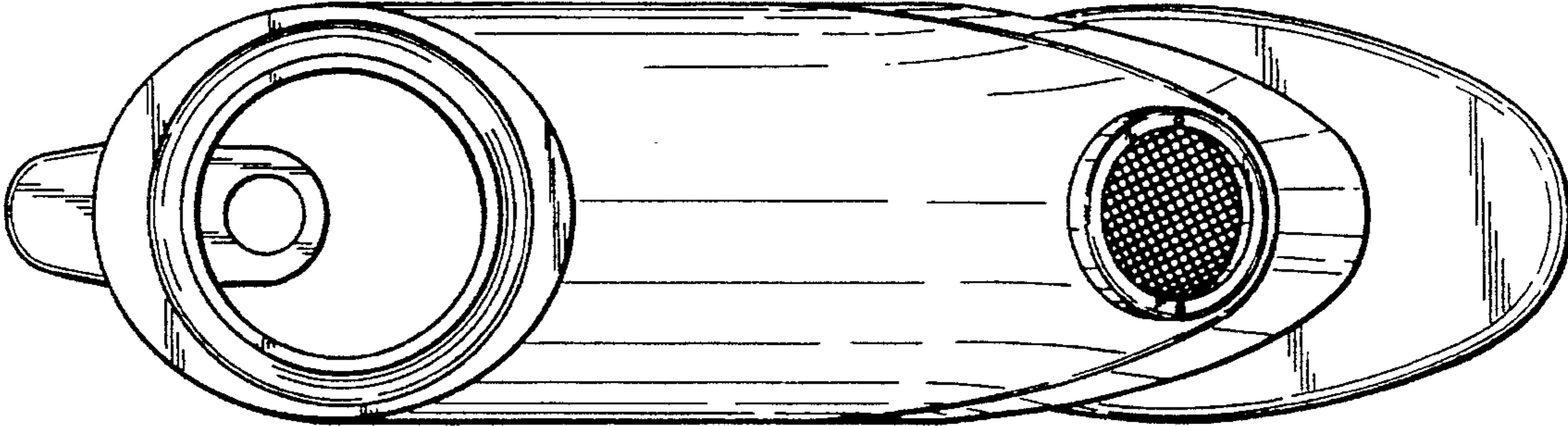


FIG. 5

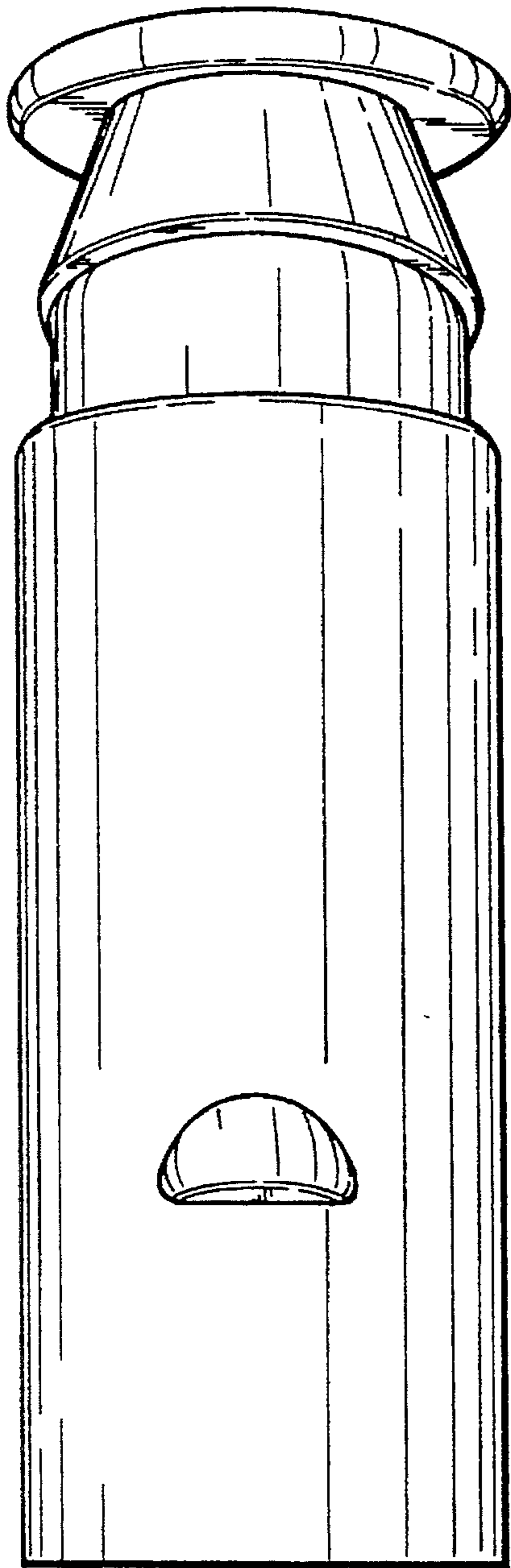


FIG. 6

