



US00D377677S

United States Patent [19]

Robbins

[11] Patent Number: **Des. 377,677**

[45] Date of Patent: ****Jan. 28, 1997**

[54] WATER PURIFICATION UNIT

[75] Inventor: **Adam Robbins**, San Marcos, Calif.

[73] Assignee: **Nimbus Water Systems, Inc.**, San Marcos, Calif.

[**] Term: **14 Years**

[21] Appl. No.: **51,031**

[22] Filed: **Feb. 23, 1996**

[52] U.S. Cl. **D23/209**

[58] Field of Search **D23/200, 207, D23/209, 210; 210/459, 460, 249, 341, 340**

[56] References Cited

U.S. PATENT DOCUMENTS

D. 152,286	1/1949	Patterson	D23/207
D. 236,829	9/1975	Berry et al.	D23/207
D. 306,754	3/1990	Petrucci et al.	D23/209
2,079,475	5/1937	Williams et al.	210/340
2,238,003	4/1941	Wilkinson	D23/209
4,192,750	3/1980	Elfes et al.	210/340

OTHER PUBLICATIONS

Marketing Literature, The Water Factory, Irvine, CA, 1991 (1 page).

Primary Examiner—A. Hugo Word
Assistant Examiner—Robin V. Taylor
Attorney, Agent, or Firm—Fitch, Even, Tabin & Flannery

[57] CLAIM

The ornamental design for a water purification unit, as shown and described.

DESCRIPTION

FIG. 1 is a front view of a water purification unit showing the new design, the partially broken line showing of tubing being for illustrative purposes only and forming no part of the claimed design;

FIG. 2 is a top plan view thereof;

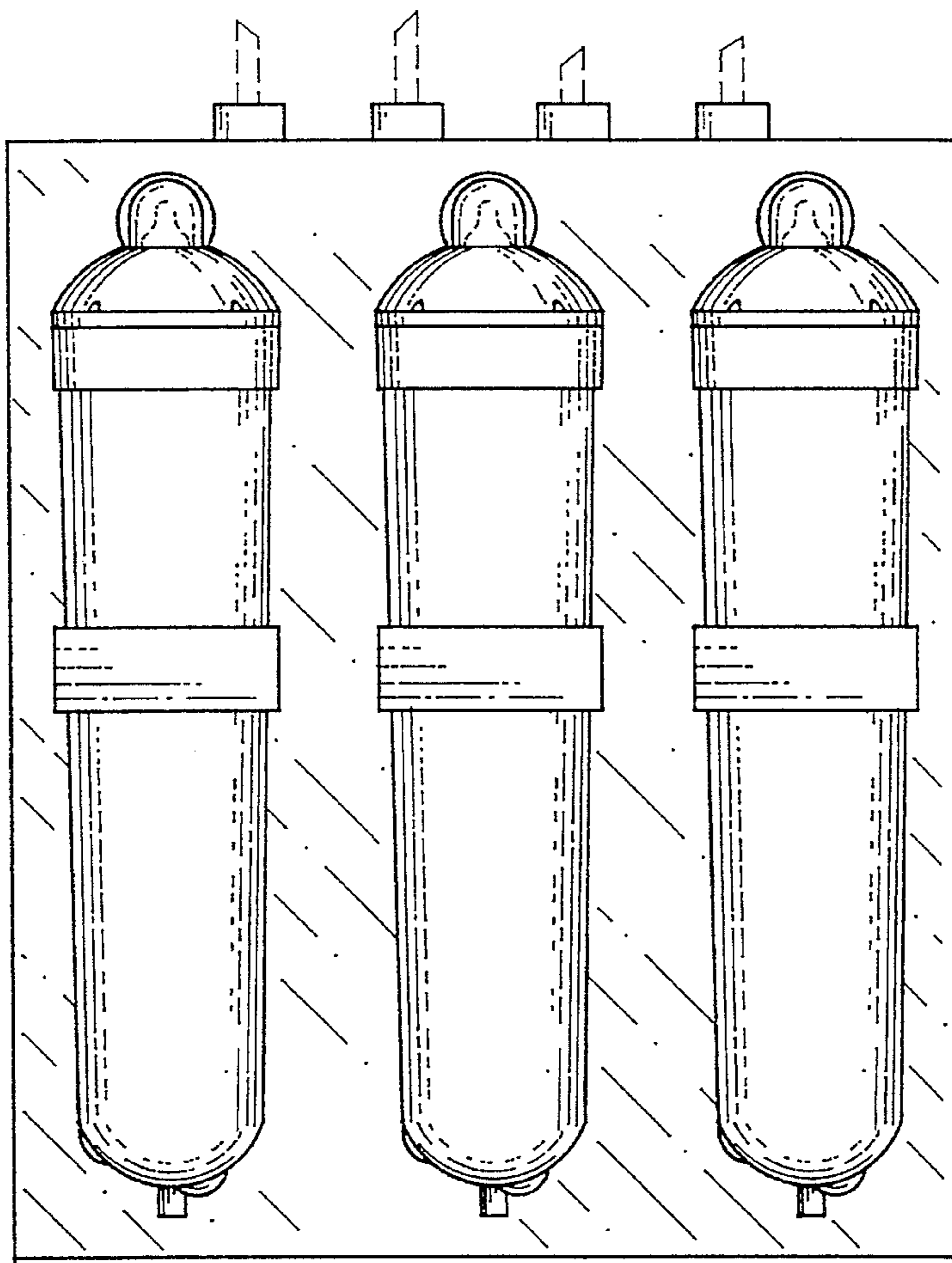
FIG. 3 is a right side elevational view thereof;

FIG. 4 is a rear elevational view thereof, the partially broken line showing of tubing being for illustrative purposes only and forming no part of the claimed design;

FIG. 5 is a bottom plan view thereof; and,

FIG. 6 is a left side elevational view thereof.

1 Claim, 2 Drawing Sheets



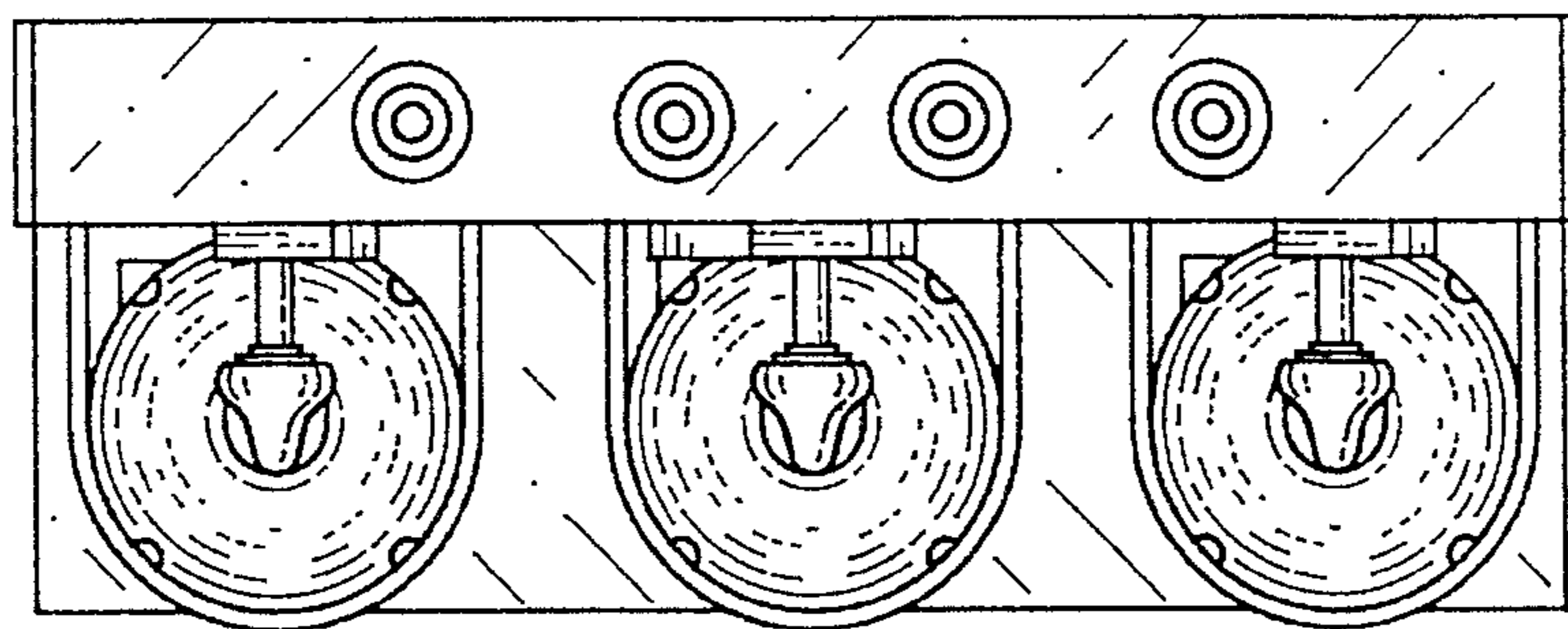


FIG. 2

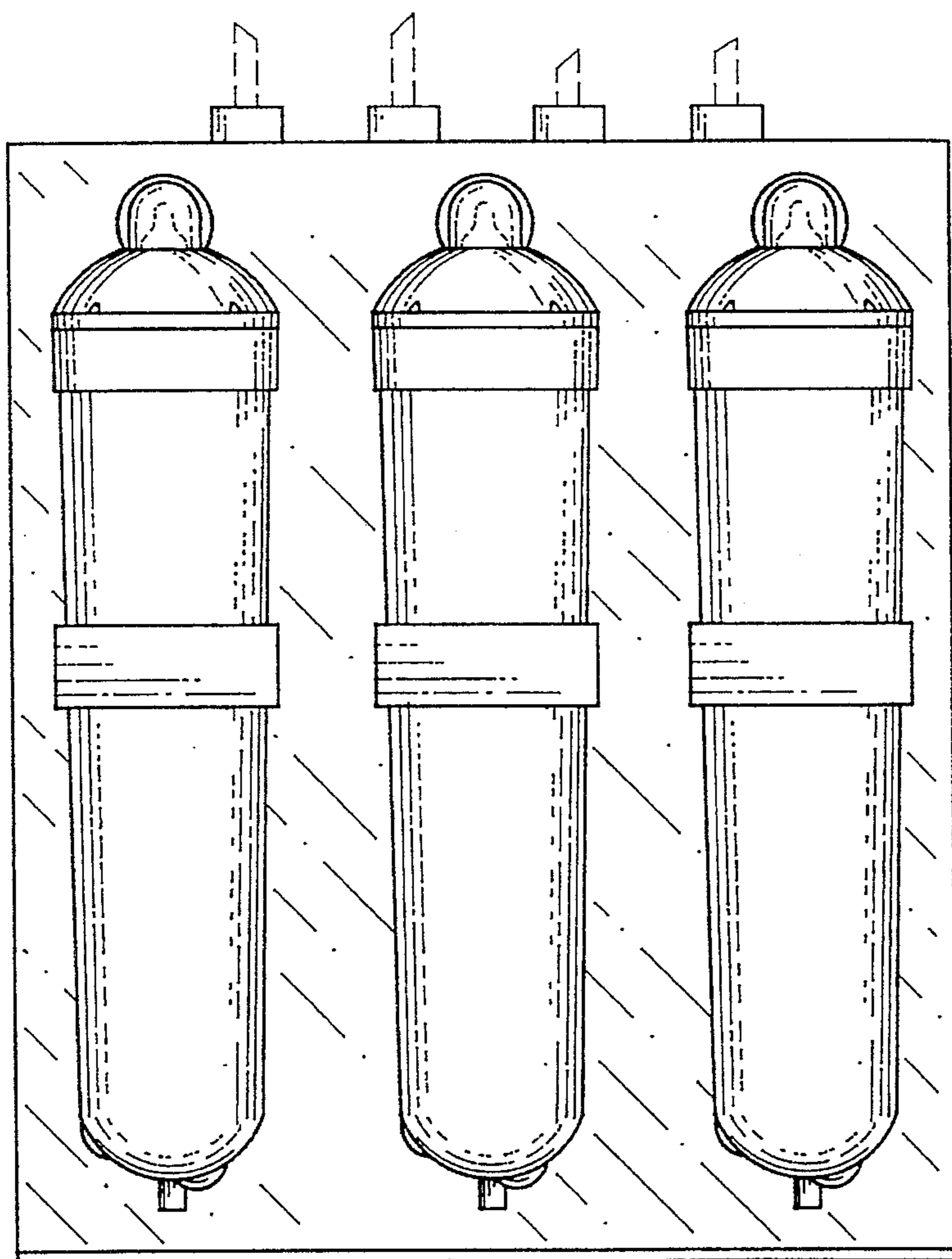


FIG. 1

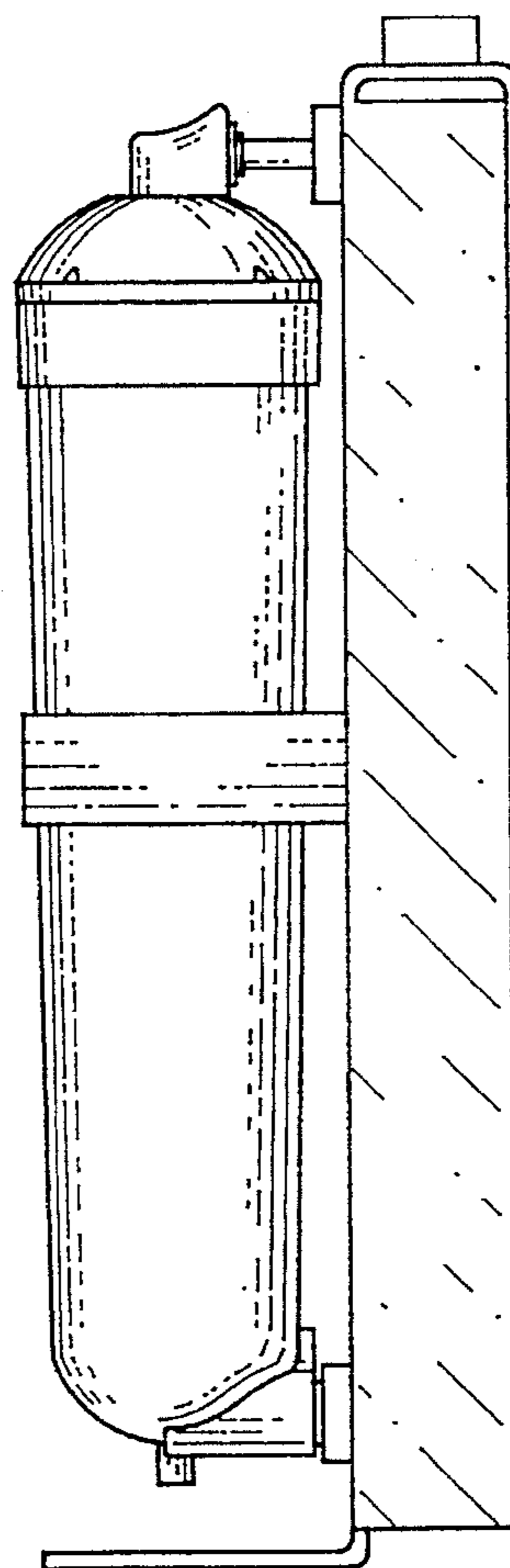


FIG. 3

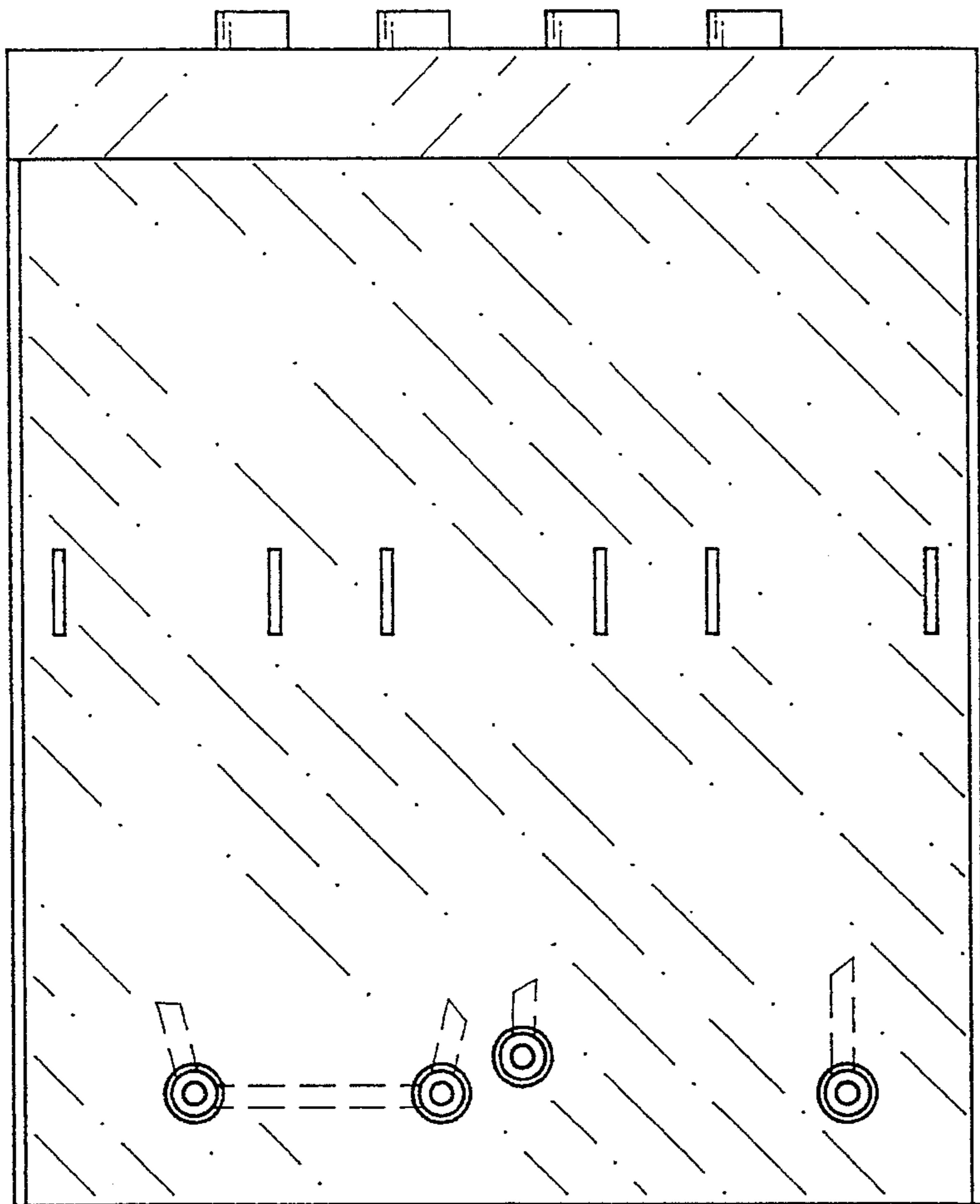


FIG. 4

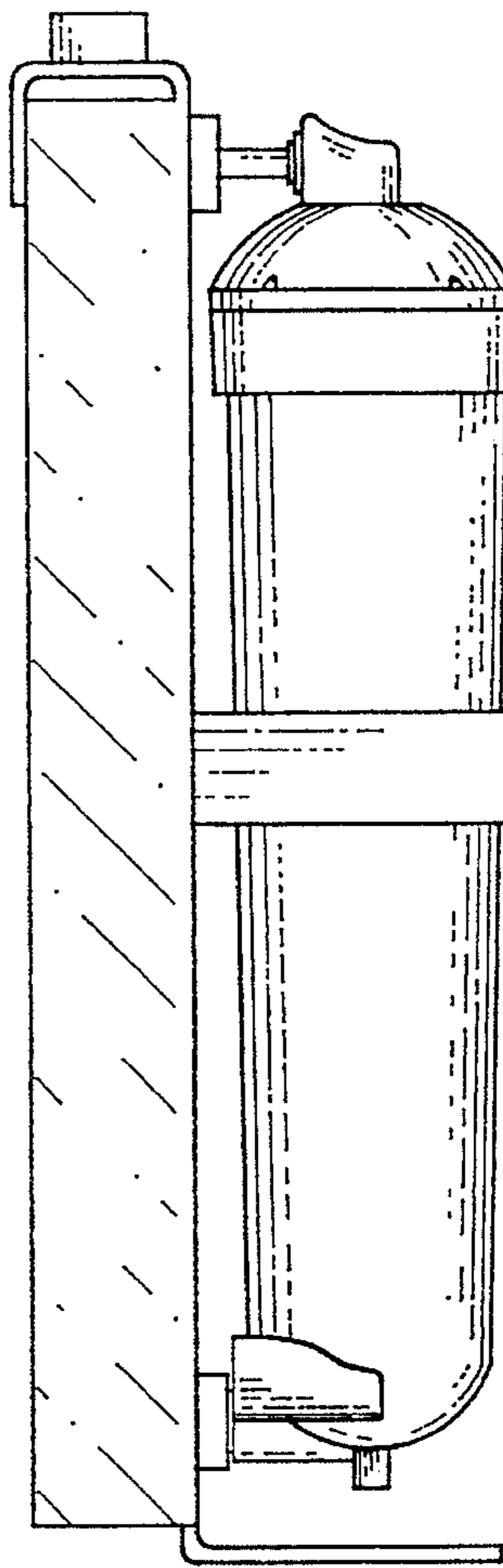


FIG. 6

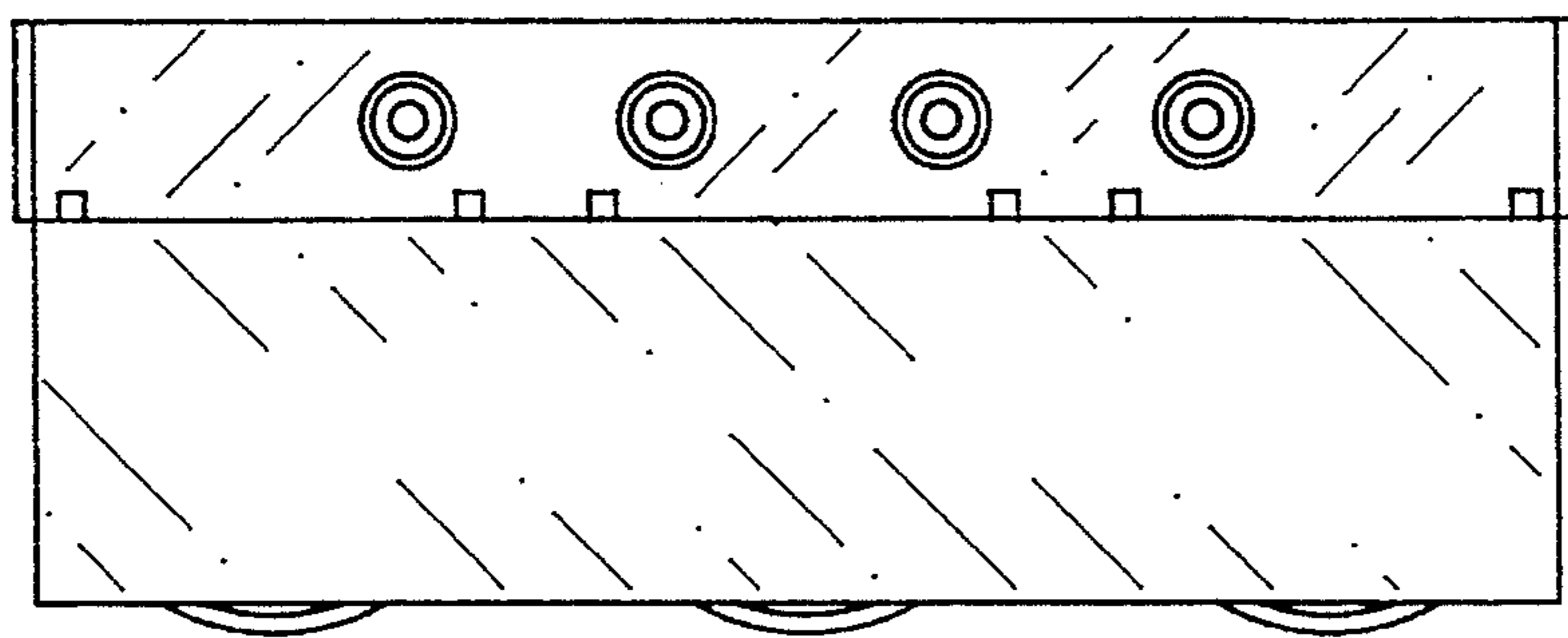


FIG. 5