



US00D377676S

United States Patent [19]

Robbins et al.

[11] Patent Number: **Des. 377,676**

[45] Date of Patent: ****Jan. 28, 1997**

[54] **COMBINATION FISHING ROD HANDLE AND REEL**

[75] Inventors: **Richard J. Robbins**, Derby, Kans.;
Kent L. Zwayer; **Nyle Erxleben**, both
of Tulsa, Okla.

[73] Assignee: **Zebco Div. of Brunswick Corporation**,
Tulsa, Okla.

[**] Term: **14 Years**

[21] Appl. No.: **46,416**

[22] Filed: **Nov. 14, 1995**

[52] U.S. Cl. **D22/138**

[58] Field of Search D22/137, 138,
D22/142, 139, 141; 43/18.1, 19, 20, 23,
24; 242/225, 227

[56] **References Cited**

U.S. PATENT DOCUMENTS

59,204	10/1921	Dunkelberger	D22/138
D. 230,479	2/1974	Popeil	D22/138
D. 246,462	11/1977	Reichow	D22/138
D. 273,972	5/1984	Fee	D22/138
D. 355,698	2/1995	Robbins et al.	D22/141

D. 358,447	5/1995	Robbins	D22/141
2,600,259	6/1952	Palmer	43/20
4,027,419	6/1977	Popeil	43/20 X
4,796,373	1/1989	Struntz	43/23
4,858,365	8/1989	Struntz	43/23
4,905,399	3/1990	Hopps	43/20

Primary Examiner—Doris V. Coles
Attorney, Agent, or Firm—Wood, Phillips, VanSanten, Clark
& Mortimer

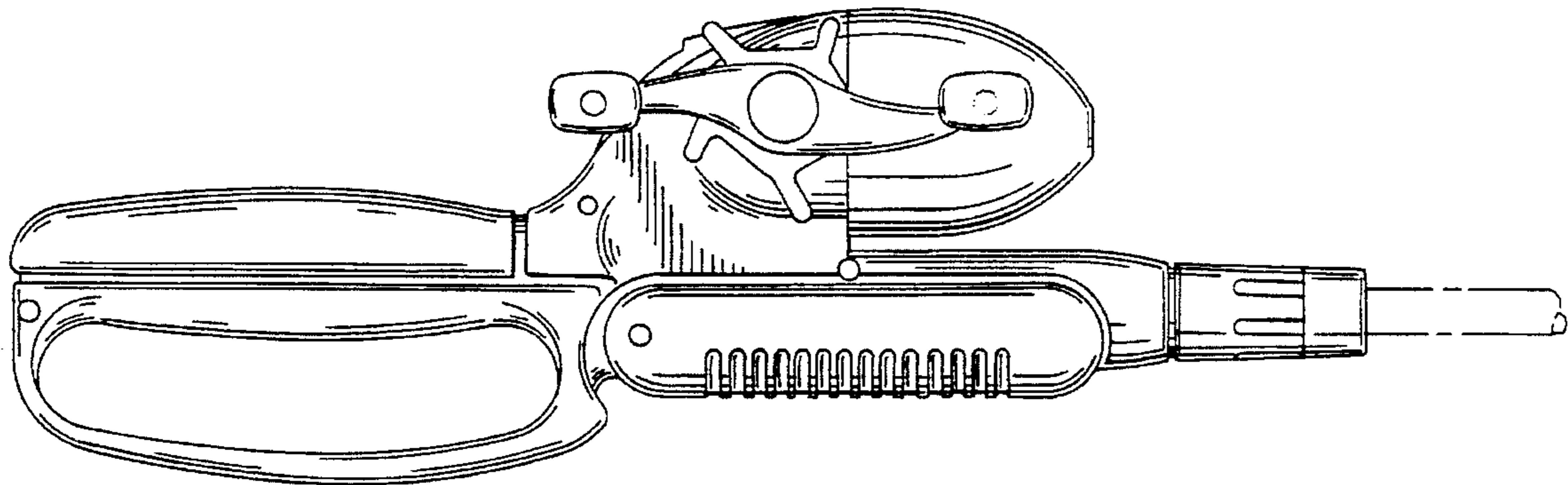
[57] **CLAIM**

The ornamental design for a combination fishing rod handle and reel, as shown and described.

DESCRIPTION

FIG. 1 is a right side elevation view of a combination fishing rod handle and reel showing our new design;
FIG. 2 is a plan view thereof;
FIG. 3 is a left side elevation view thereof;
FIG. 4 is a bottom view thereof;
FIG. 5 is a rear elevation view thereof; and,
FIG. 6 is a front elevation view thereof.
The broken line showing of part of a fishing rod in FIGS. 1-4 and 6 is for illustrative purposes only and forms no part of the claimed design.

1 Claim, 2 Drawing Sheets



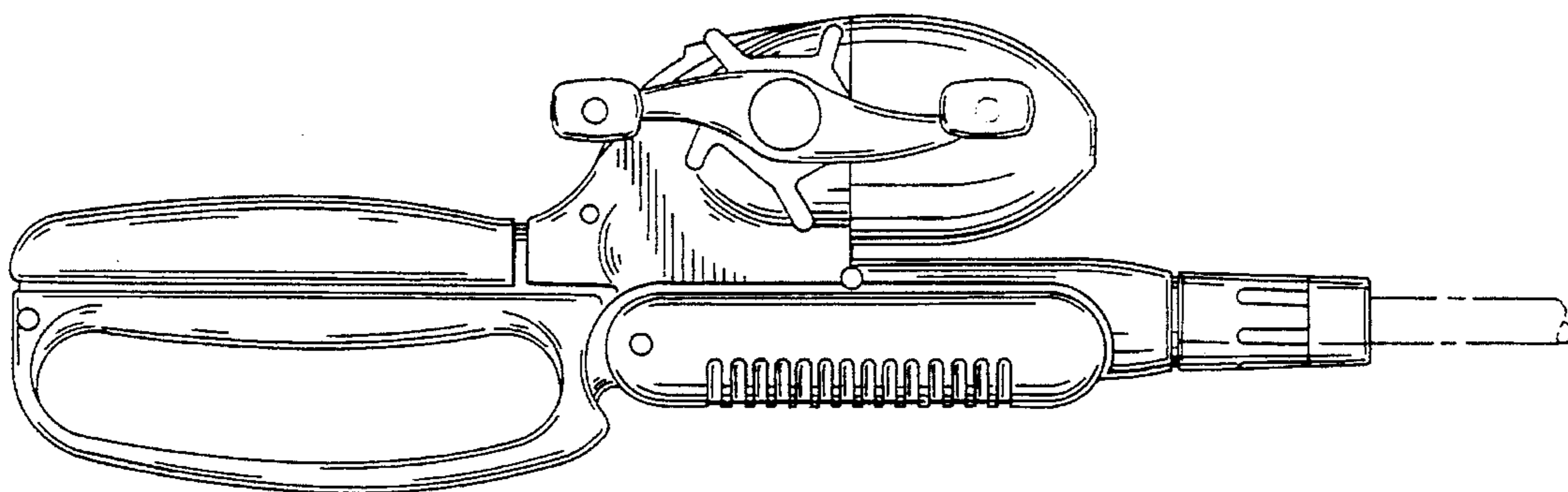


FIG. 1

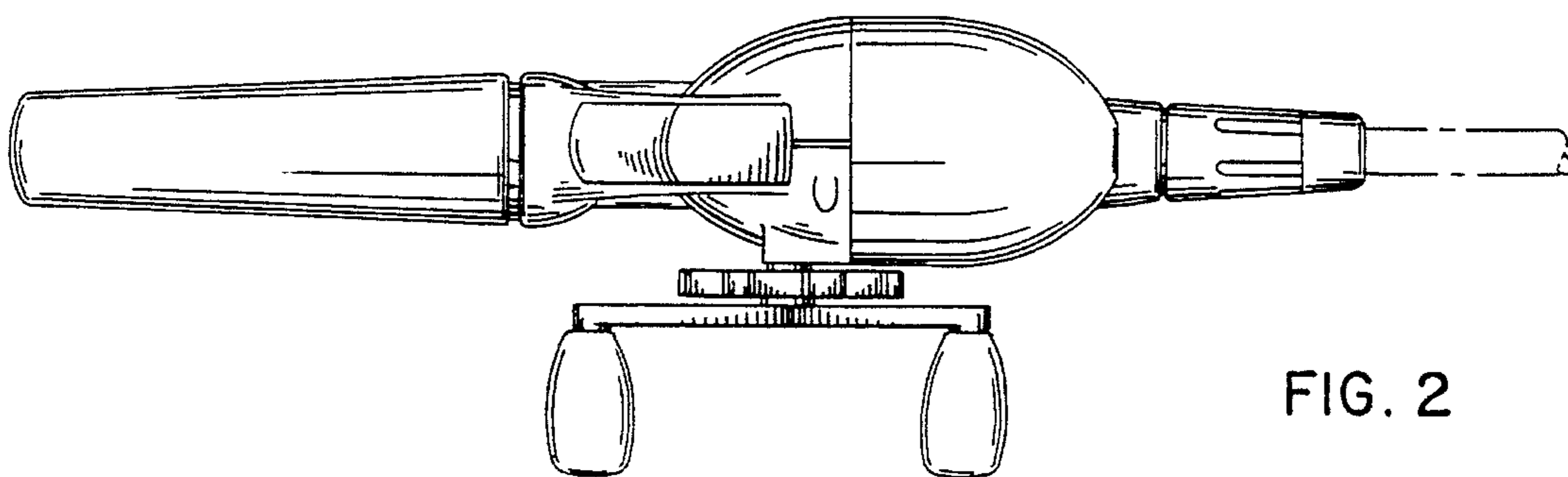


FIG. 2

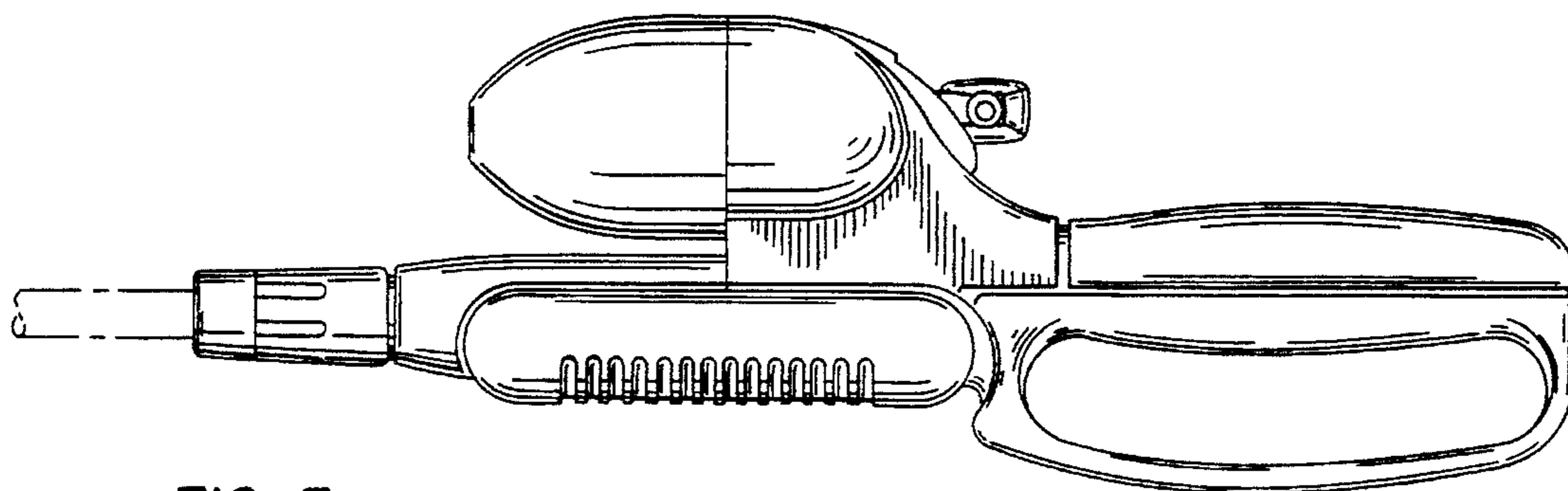


FIG. 3

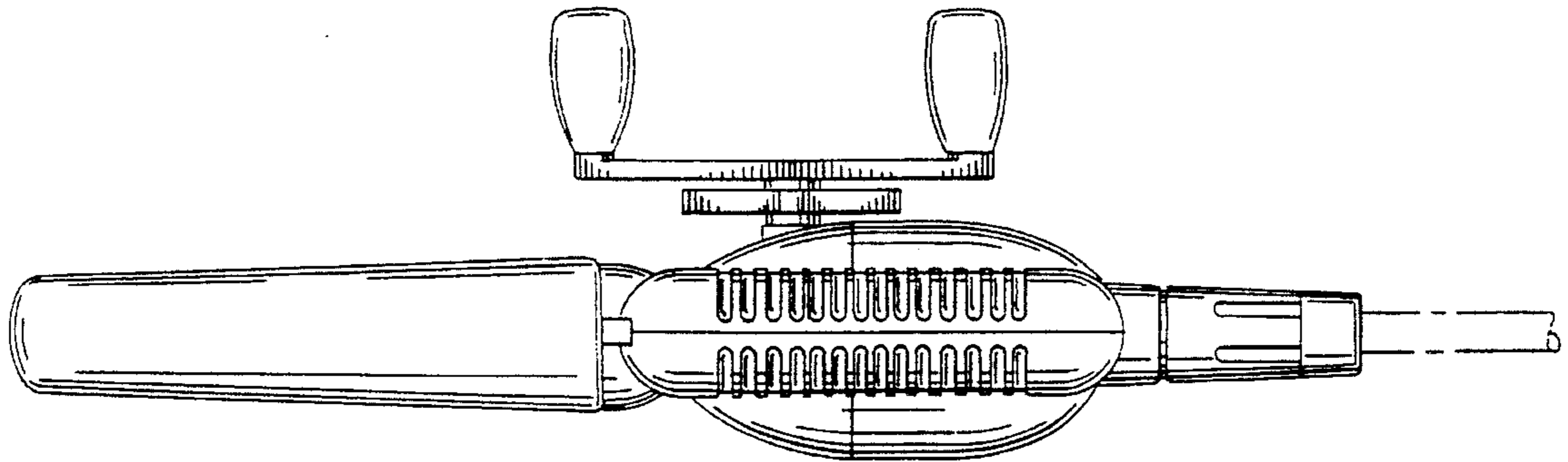


FIG. 4

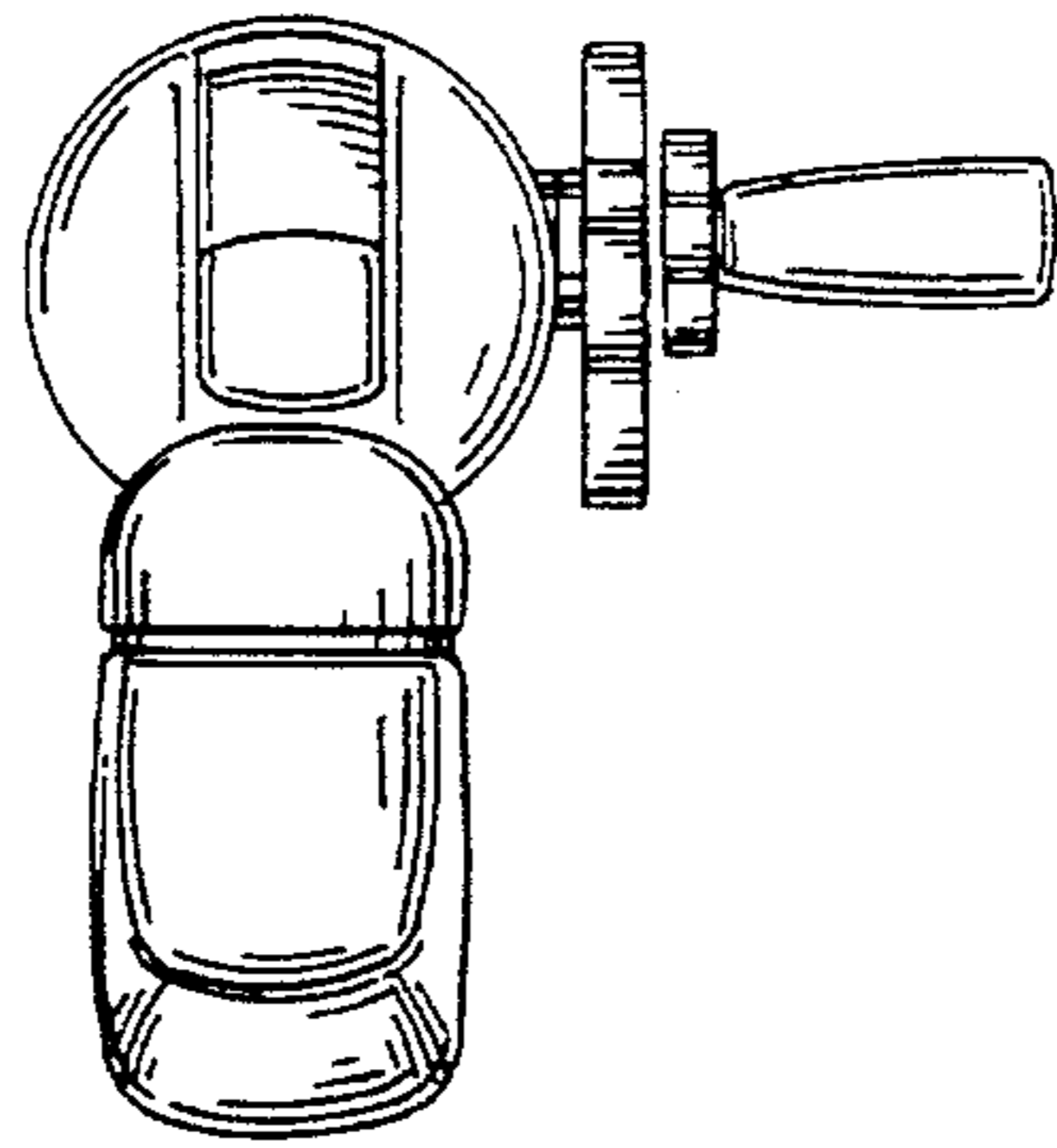


FIG. 5

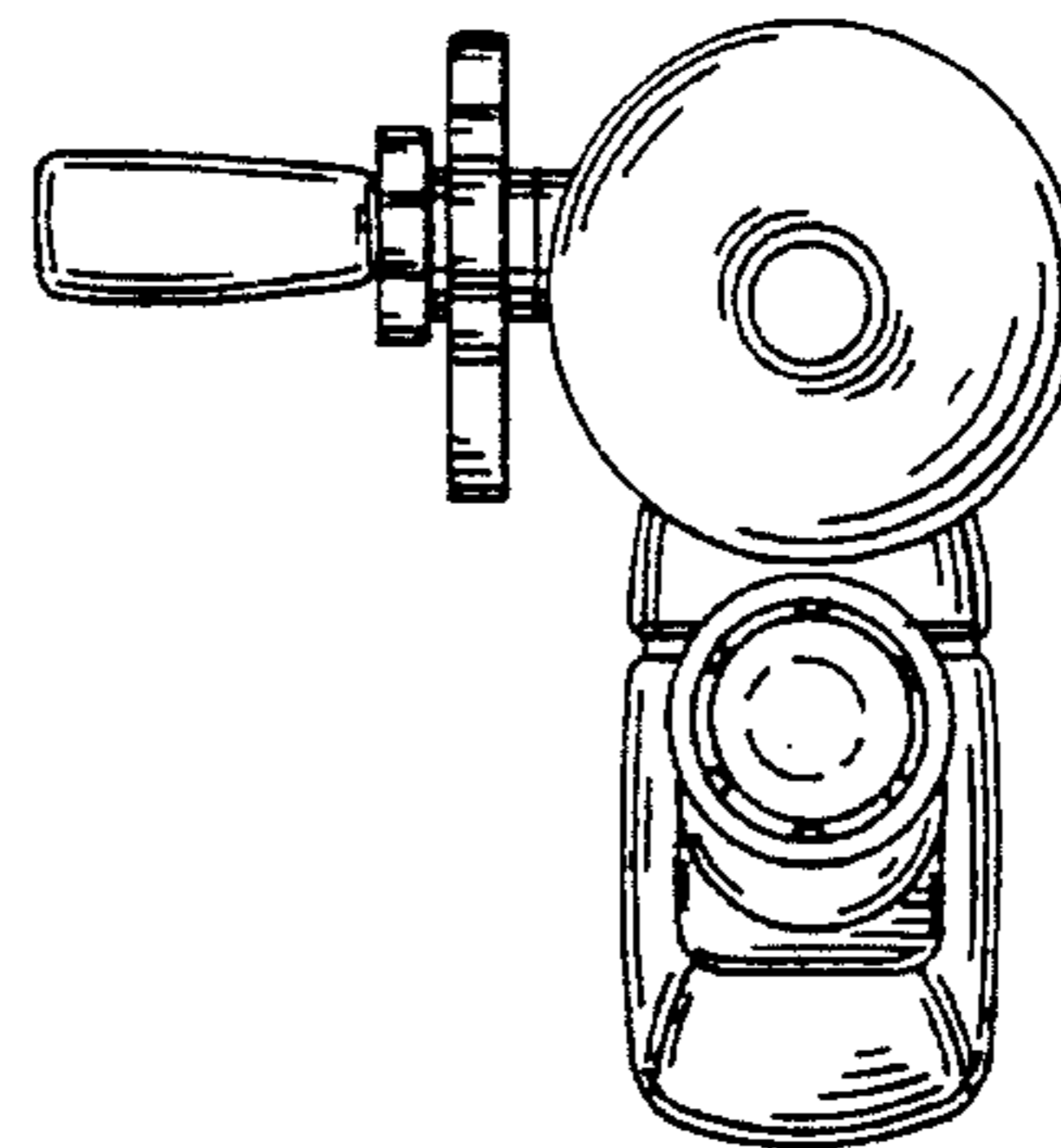


FIG. 6