



US00D377675S

United States Patent [19]

[11] Patent Number: **Des. 377,675**

Abel

[45] Date of Patent: ****Jan. 28, 1997**

[54] **GOLF CLUB HEAD**

5,121,922 6/1992 Harsh, Sr. .
5,253,869 10/1993 Dingle et al. .
5,308,067 5/1994 Cook .
5,390,919 2/1995 Stubbs et al. .

[76] Inventor: **Steven D. Abel**, 6051 W. Greentree Dr., Somis, Calif. 93066

[**] Term: **14 Years**

OTHER PUBLICATIONS

[21] Appl. No.: **43,872**

Golf Digest; p. 123; Gall Gondola T, middle left of page Dec. 1977.

[22] Filed: **Sep. 12, 1995**

Golf Digest; p. 92; item No. 12, putting professor Jan. 1982.

[52] U.S. Cl. **D21/219**

Primary Examiner—Ted Shooman

[58] Field of Search D21/217-219;
473/340, 341, 251-256

Assistant Examiner—Mitchell I. Siegel

Attorney, Agent, or Firm—Nydegger & Associates

[56] References Cited

[57] CLAIM

U.S. PATENT DOCUMENTS

The ornamental design for golf club head, as shown and described.

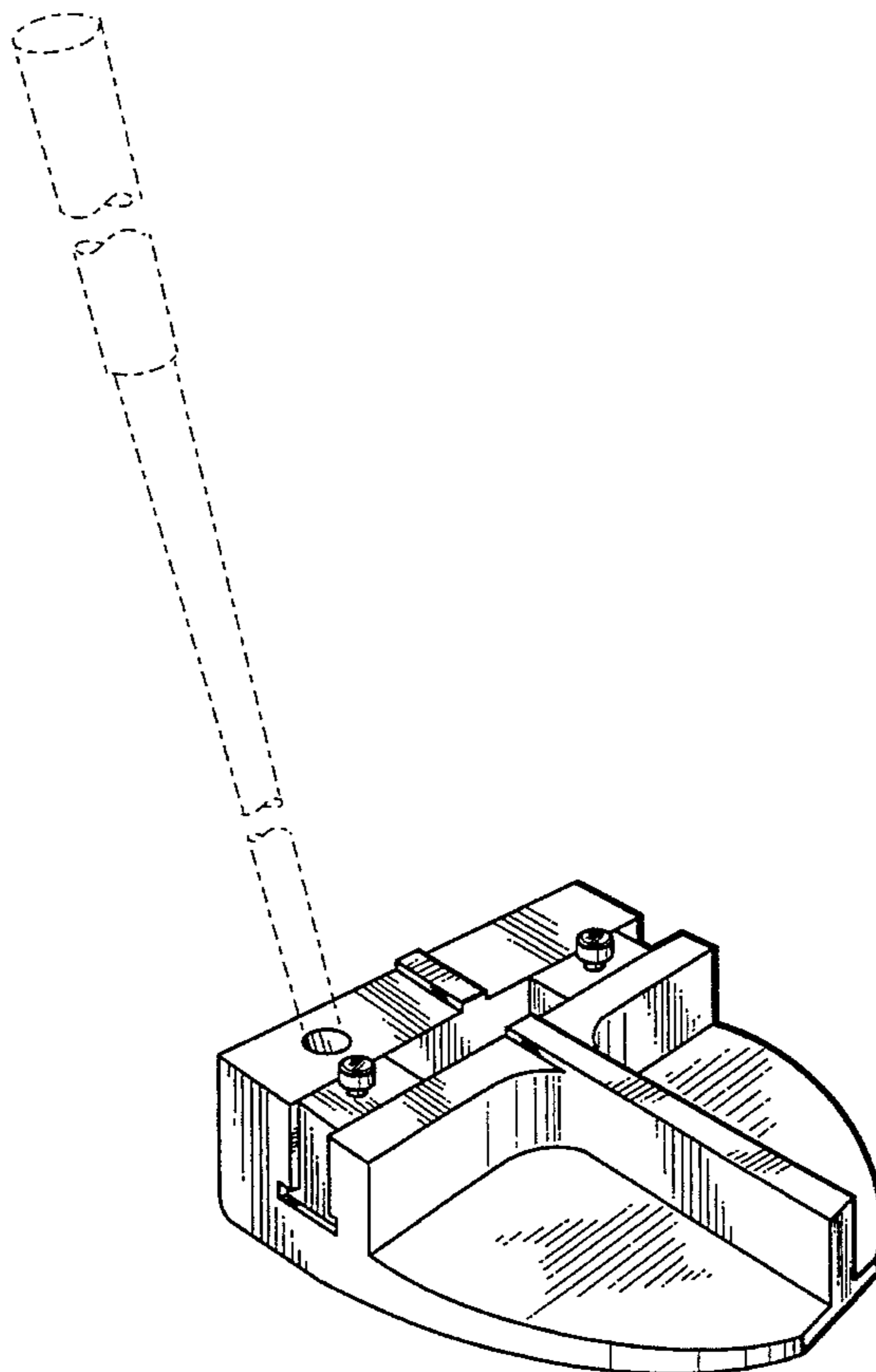
D. 230,292	2/1974	Gall	D21/219
D. 230,293	2/1974	Gall	D21/219
D. 230,294	2/1974	Gall	D21/219
D. 234,961	4/1975	Swach	D21/217
D. 251,310	3/1979	Paulin	D21/219
2,460,445	2/1949	Bigler	.	
2,652,256	9/1953	Thomas	.	
2,932,515	4/1960	May	.	
3,459,426	8/1969	Sherwood	473/251 X
3,921,984	11/1975	Winter	.	
3,961,796	6/1976	Thompson	.	
4,141,556	2/1979	Paulin	473/253
4,194,739	3/1980	Thompson	.	
4,423,874	1/1984	Stuff, Jr.	.	
4,607,846	8/1986	Perkins	.	
4,736,951	4/1988	Grant	.	
4,962,932	10/1990	Anderson	.	

DESCRIPTION

FIG. 1 is a top, rear and right side perspective view of a golf club head showing my new design;
FIG. 2 is a right side elevation view thereof, the undisclosed opposite side being a mirror image;
FIG. 3 is a front elevation view thereof;
FIG. 4 is a rear elevation view thereof;
FIG. 5 is a top plan view thereof; and,
FIG. 6 is a bottom view thereof.

The broken line showing of shaft on FIG. 1 is for illustrative purposes only and forms no part of the claimed design.

1 Claim, 3 Drawing Sheets



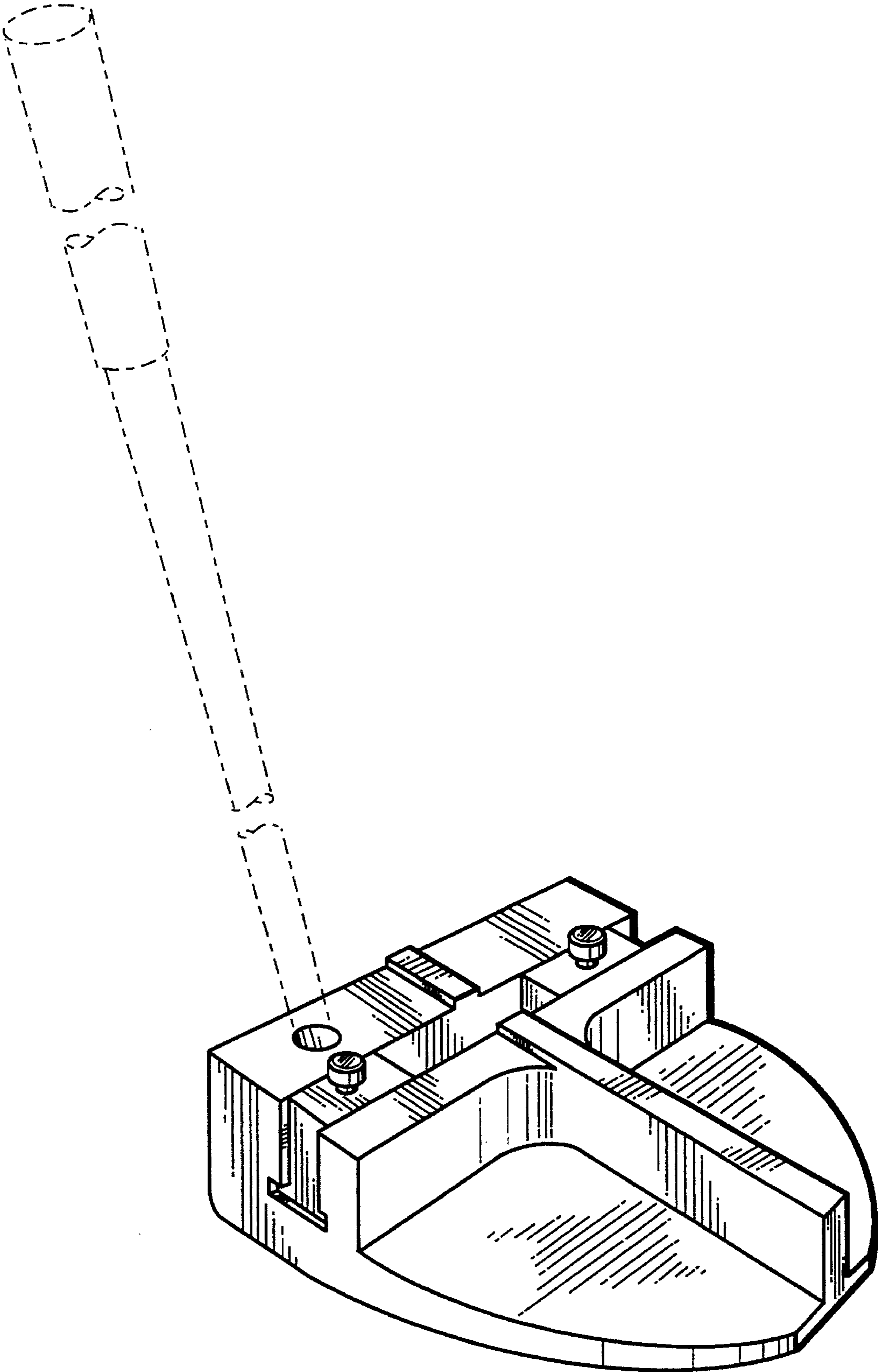


FIGURE 1

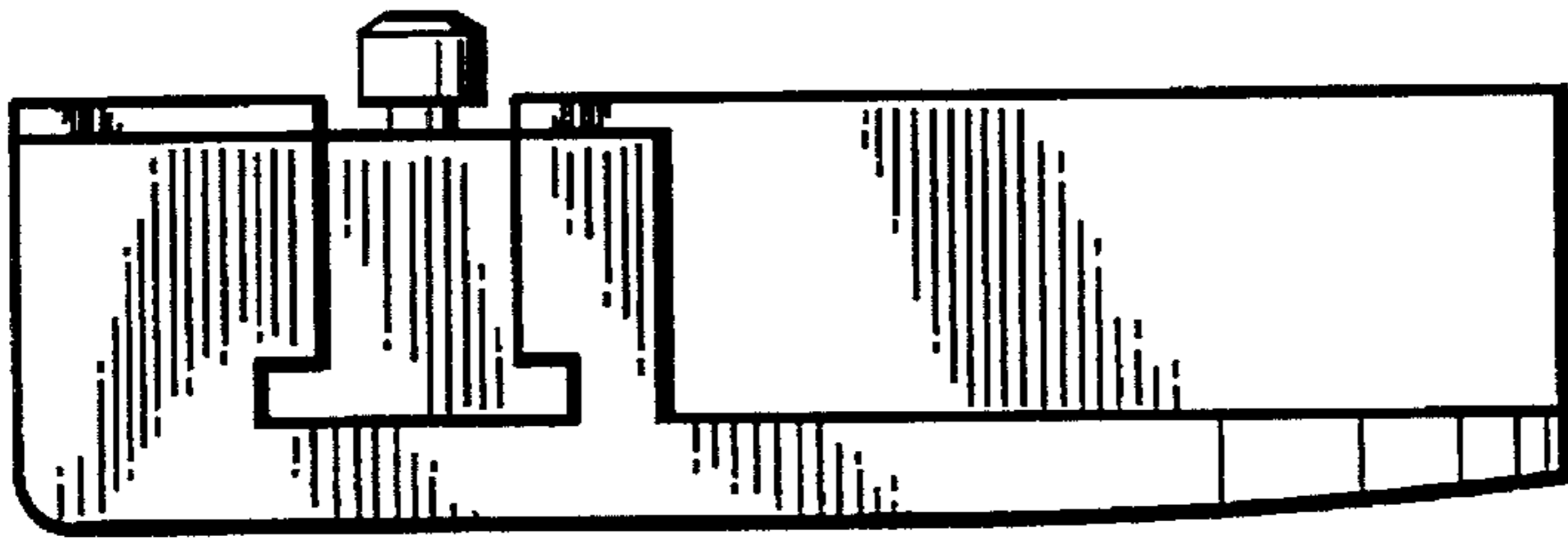


FIGURE 2

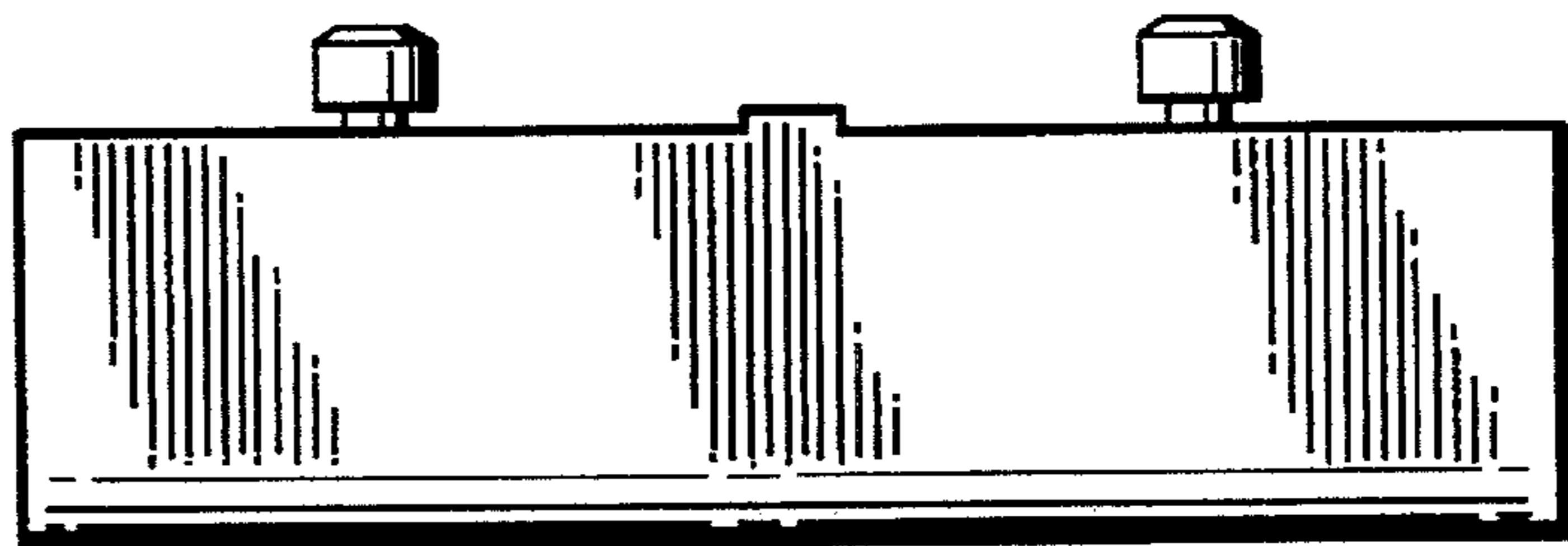


FIGURE 3

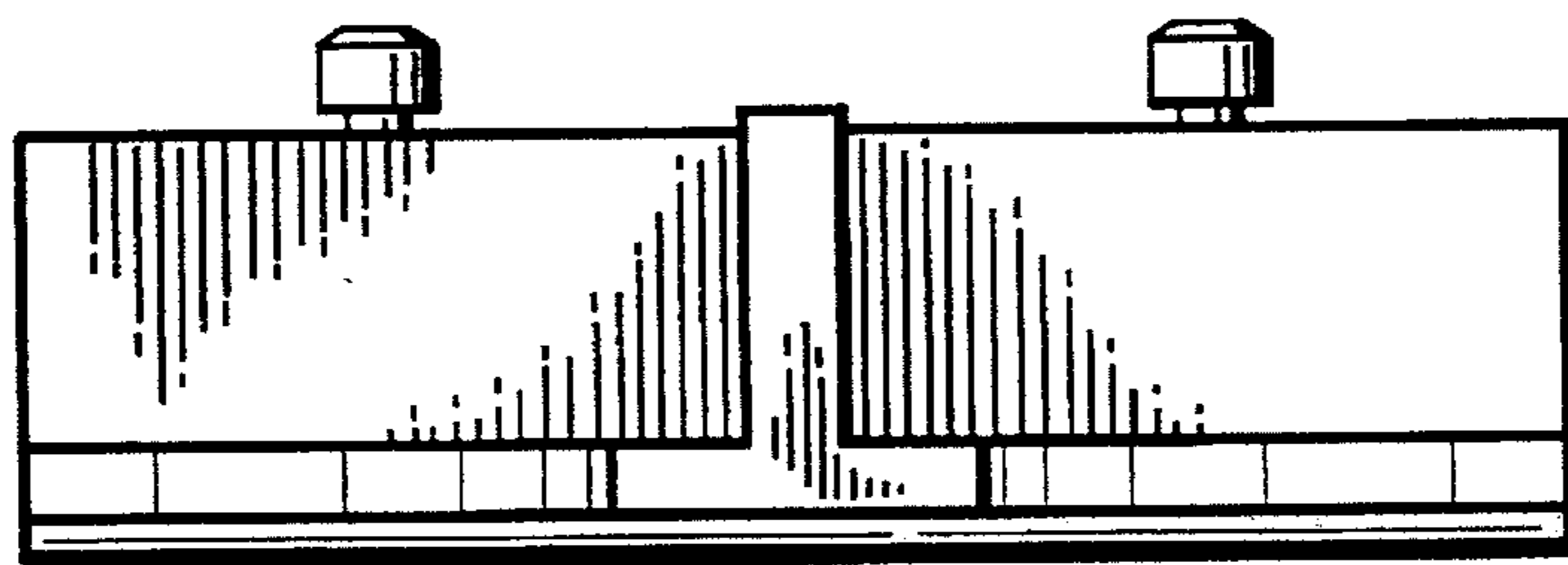


FIGURE 4

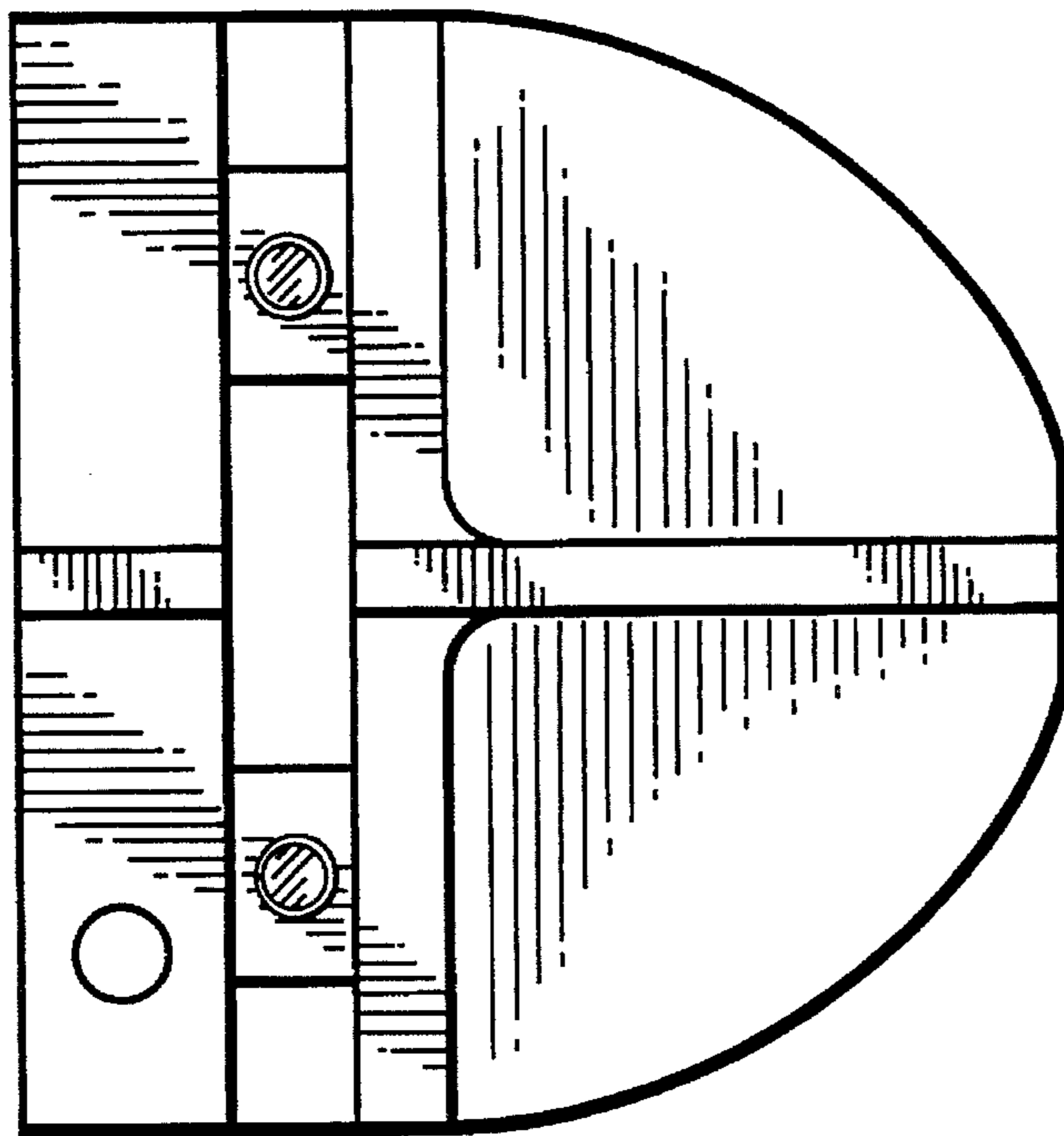


FIGURE 5

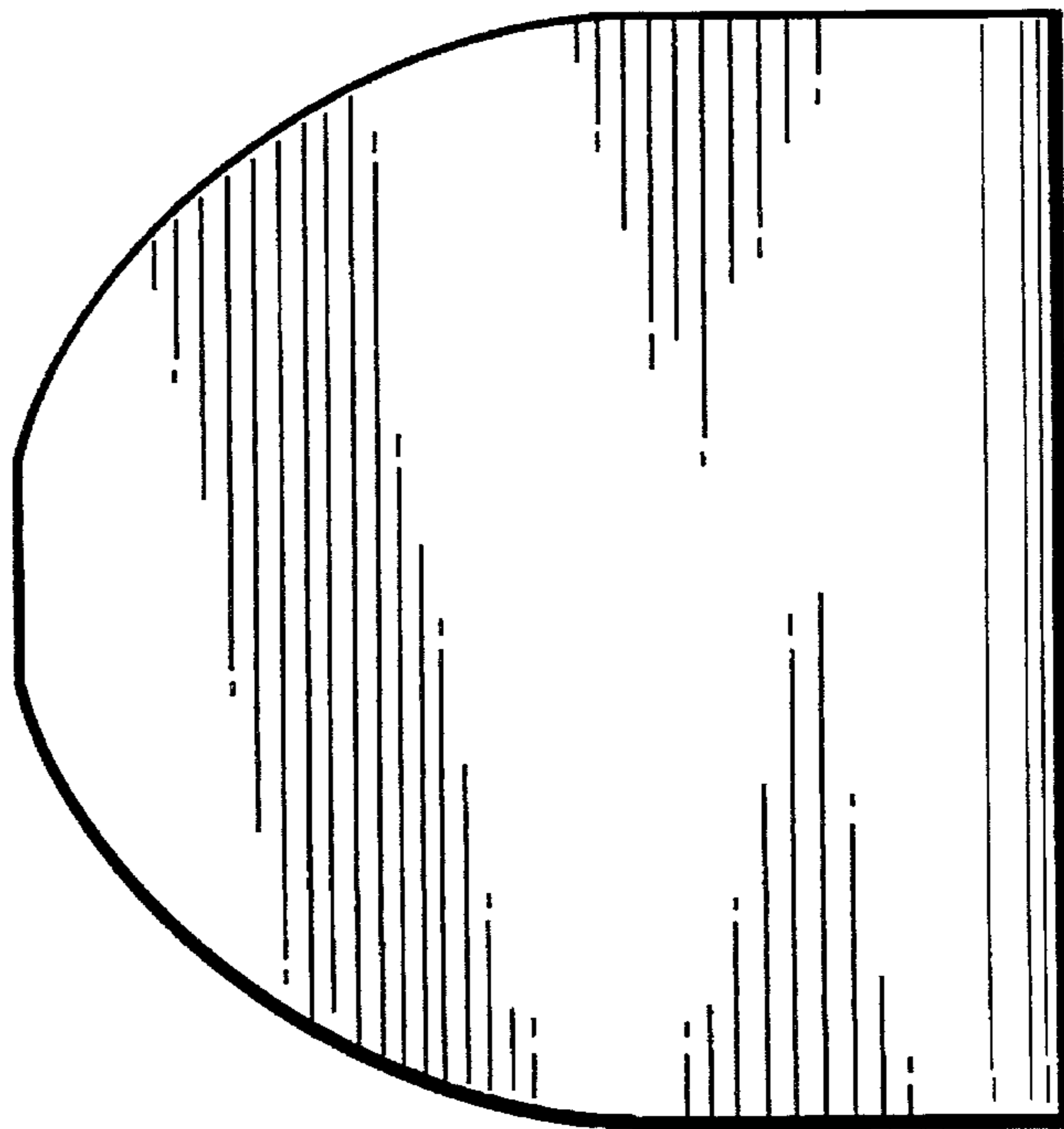


FIGURE 6