



US00D377672S

United States Patent [19]

[11] Patent Number: **Des. 377,672**

Wanzer et al.

[45] Date of Patent: ****Jan. 28, 1997**

[54] EXERCISE CYCLE

[75] Inventors: **Rick Wanzer**, Bothell, Wash.; **Timothy O. Armstrong**, Providence, Utah

[73] Assignee: **Precor Incorporated**, Bothell, Wash.

[**] Term: **14 Years**

[21] Appl. No.: **48,080**

[22] Filed: **Dec. 19, 1995**

[52] U.S. Cl. **D21/194**

[58] Field of Search D21/191, 192, D21/194, 195; 482/57, 58, 59, 62, 63, 64

[56] References Cited

U.S. PATENT DOCUMENTS

D. 225,070	11/1972	Proctor .	
D. 226,670	4/1973	Nickels et al. .	
D. 229,077	11/1973	Scalingi et al. .	
D. 233,160	10/1974	Jouk .	
D. 279,206	6/1985	Smith et al.	D21/194
D. 280,923	10/1985	Smith et al. .	
D. 288,706	3/1987	Gremonprez et al. .	
D. 289,670	5/1987	Kasuba et al.	D21/194
D. 290,282	6/1987	Kasuba et al.	D21/194
D. 301,729	6/1989	Capjon	D21/194
D. 306,626	3/1990	Szymiski et al.	D21/194
D. 307,782	5/1990	Birrell et al.	D21/194
D. 309,336	7/1990	Yang	D21/194
D. 325,410	4/1992	Chen	D21/194
3,751,033	8/1973	Rosenthal .	
3,940,128	2/1976	Ragone .	
3,945,637	3/1976	Simjian .	
4,084,810	4/1978	Forsman .	
4,533,136	8/1985	Smith et al. .	
4,592,544	6/1986	Smith et al. .	
5,372,562	12/1994	Chang	482/57

OTHER PUBLICATIONS

Brochure disclosing the Aerobicycle by Universal. Sears Owners Manual, Model No. 266.28907.
 Brochure disclosing the Huffy Pulse-Data Model 90501 exercise rowing machine.
 Brochure disclosing the Dyna Bike Ergometer by M&R Industries, Inc.

Brochure disclosing the AMF Computrim 900 exercise bicycle.
 Brochure illustrating the Cardiotest exercise bicycle by Seca.
 Brochure disclosing the Aerobitron exercise bicycle by Buick.
 Brochure disclosing a Topfit 100 exercise bicycle by Microtec Electronic CmbH.
 Brochure disclosing the Haden Dynavit Aerobitronic 30 exercise bicycle.
 Brochure illustrating the Ergo-fit 300W and Ergo-fit 200W exercise bicycles.
 Brochure disclosing the Heart Mate exercise bicycle by Wimbledon Industries Co.
 Brochure disclosing the Bodyguard 955 exercise bicycle.
 Brochure disclosing the Lifecycle exercise bicycle by Lifecycle, Inc.
 Brochure disclosing the Models ATEL; EL400; Electronic Ergometer; ATPT Professional Trainer; ATEE Ergometer; ATHC Home Cycle; and, ATFC Family Cycle exercise bicycles by Tunturi.

(List continued on next page.)

Primary Examiner—Philip S. Hyder

Attorney, Agent, or Firm—Christensen, O'Connor, Johnson & Kindness PLLC

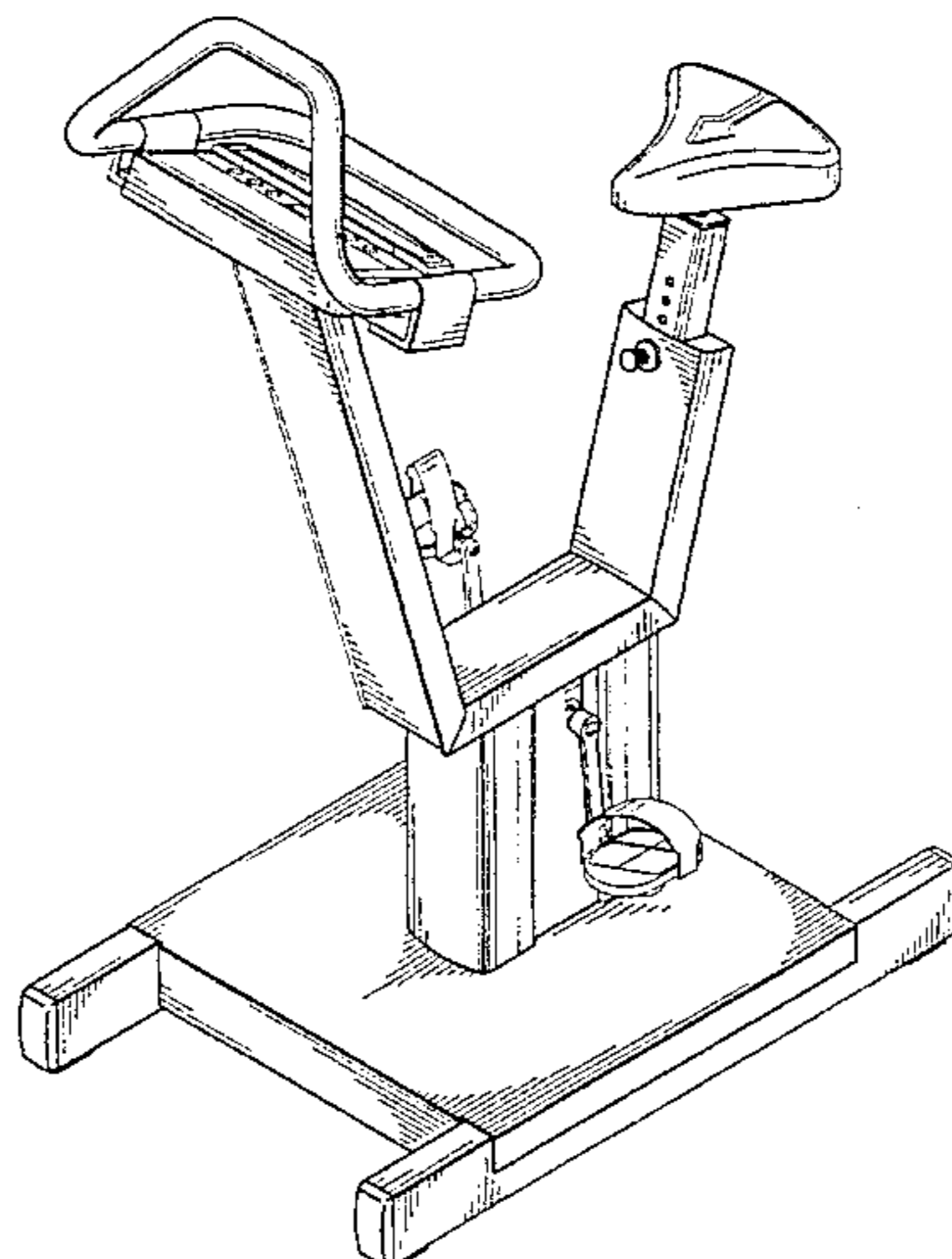
[57] CLAIM

The ornamental design for an exercise cycle, as shown and described.

DESCRIPTION

FIG. 1 is a perspective view of the exercise cycle showing our new design;
 FIG. 2 is a top view thereof;
 FIG. 3 is a bottom view thereof;
 FIG. 4 is a right side elevational view thereof, wherein the left side view is a mirror image thereof with the exception of the positioning of the pedals;
 FIG. 5 is a front elevational view thereof; and,
 FIG. 6 is a rear elevational view thereof.

1 Claim, 5 Drawing Sheets



OTHER PUBLICATIONS

Brochure disclosing the AirDyne Exerciser; ergoMETRIC Exerciser; BIO-DYNE Exerciser; and, Deluxe Exerciser, manufactured by Schwinn.

Brochure disclosing exercise bicycle Models: Sante 1050; Sante 850 and Sante 250 by Pro-Fit Exercisers Canada, Inc.

Brochure disclosing the Monark Electronic Ergometer 869; Ergometer 868; Weight Ergometer 864; Ergometer 865 Monark Mark II; Exercise Cycle 867; Exercise Cycle 872; and, Sparr Rehab 858 exercise bicycles by Monark.

Brochure disclosing the Shape Master 2000; DP Body Shaper; and, Fitness Express exercise bicycles by Diversified Products.

Brochure disclosing the Bodycycle by Marcy Gym Equipment Company.

Brochure disclosing various exercise bicycles set forth in the 1984 Fitness Range brochure from Pan's World, including Models: Folding Cycle III W/Pump PA-301A; Exerciser PA-302; Home Cycle PA-303; Swing Exercise Bike PA-304; Exercise Bike PA-305; and Exerciser PA-306.

Brochure disclosing an exercise cycle marketed under the designation Dynavit by Keiper USA, Inc.

Brochure disclosing exercise bicycles by Vitamaster, including Models 710 and Pro 1000.

Brochure disclosing various exercise cycles appearing in the Christopheit Sport catalog including the fittronic; Control 2000, Super fit; and, bobby-fit.

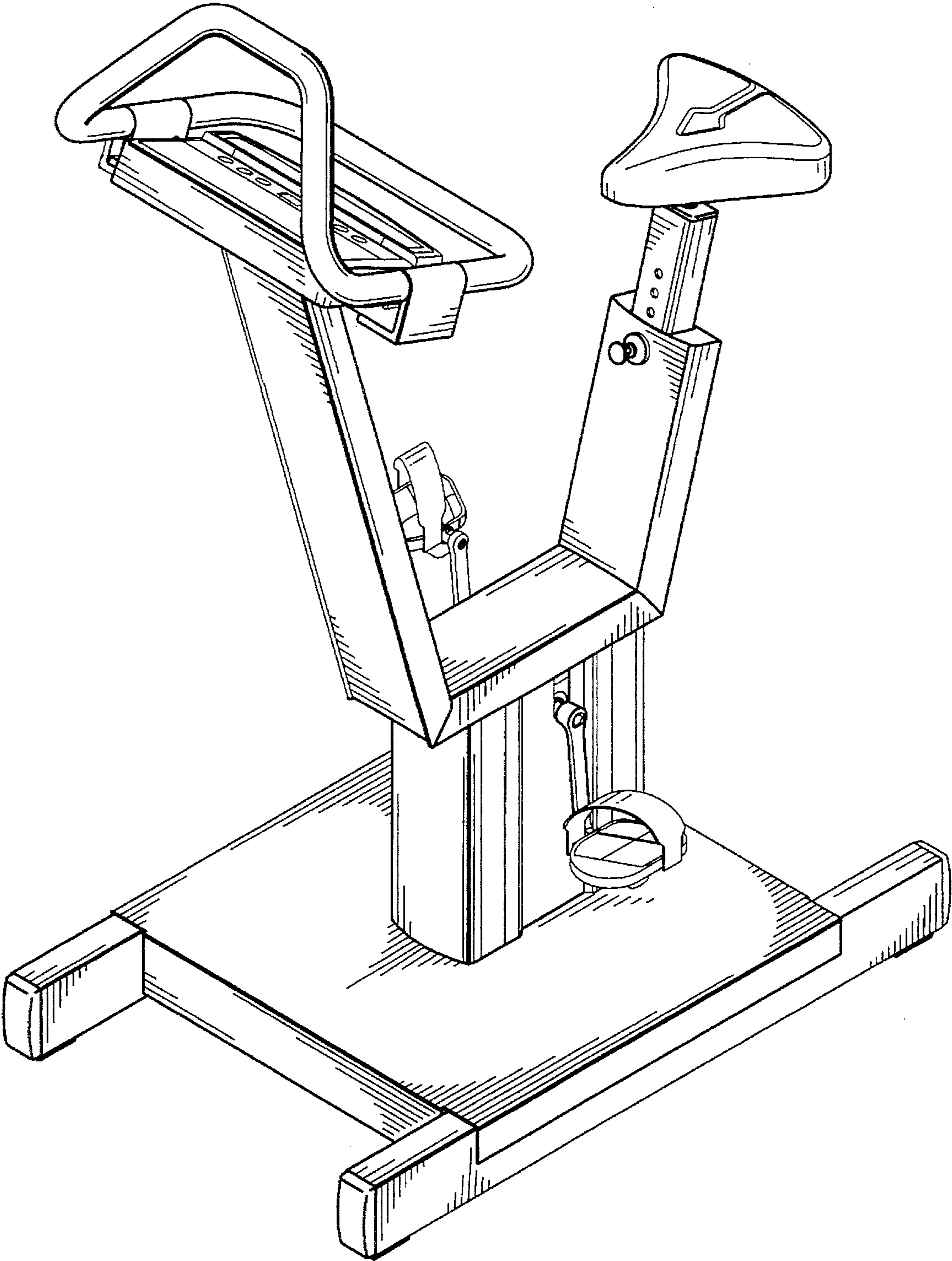


Fig. 1.

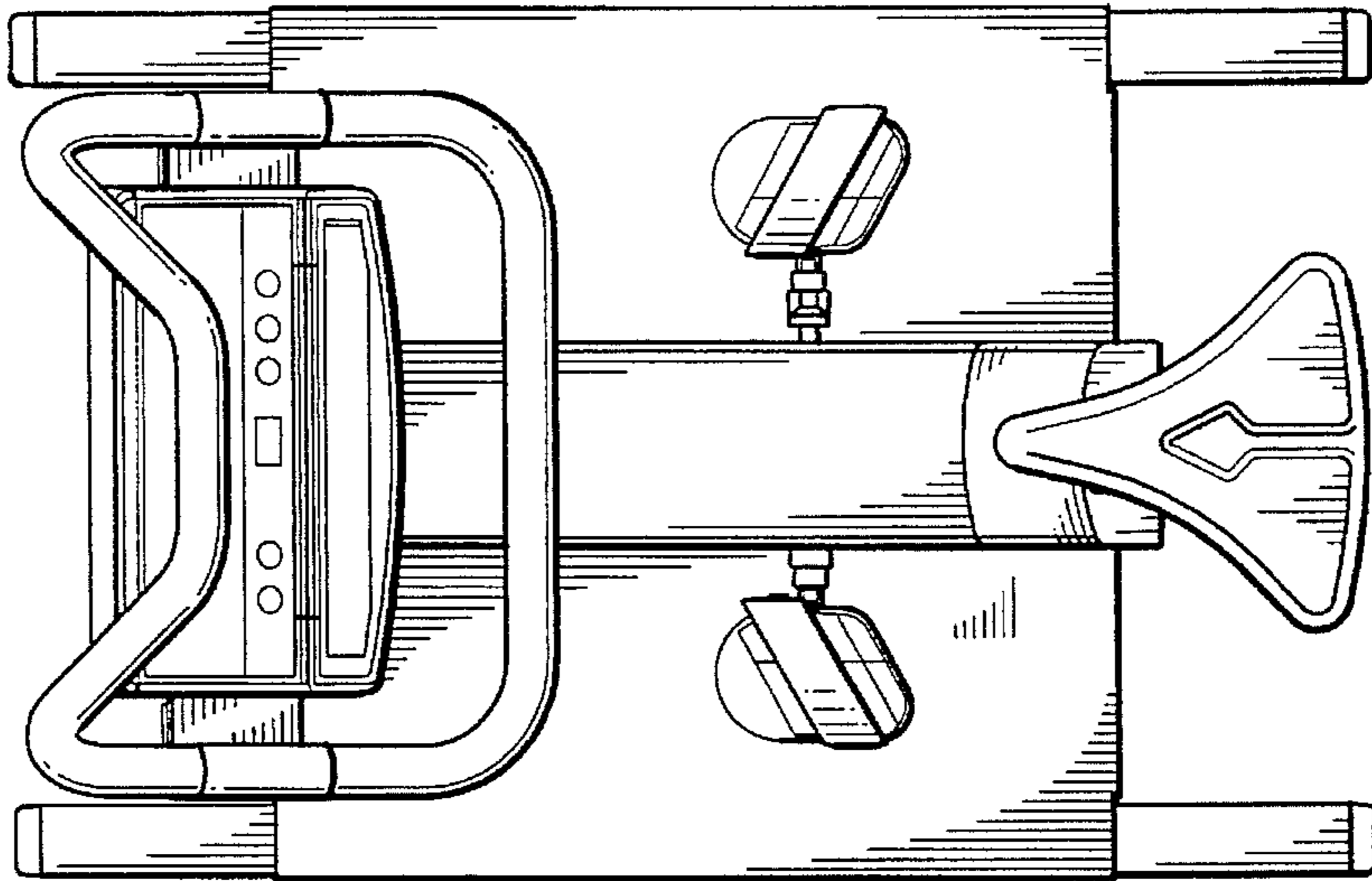


Fig. 2.

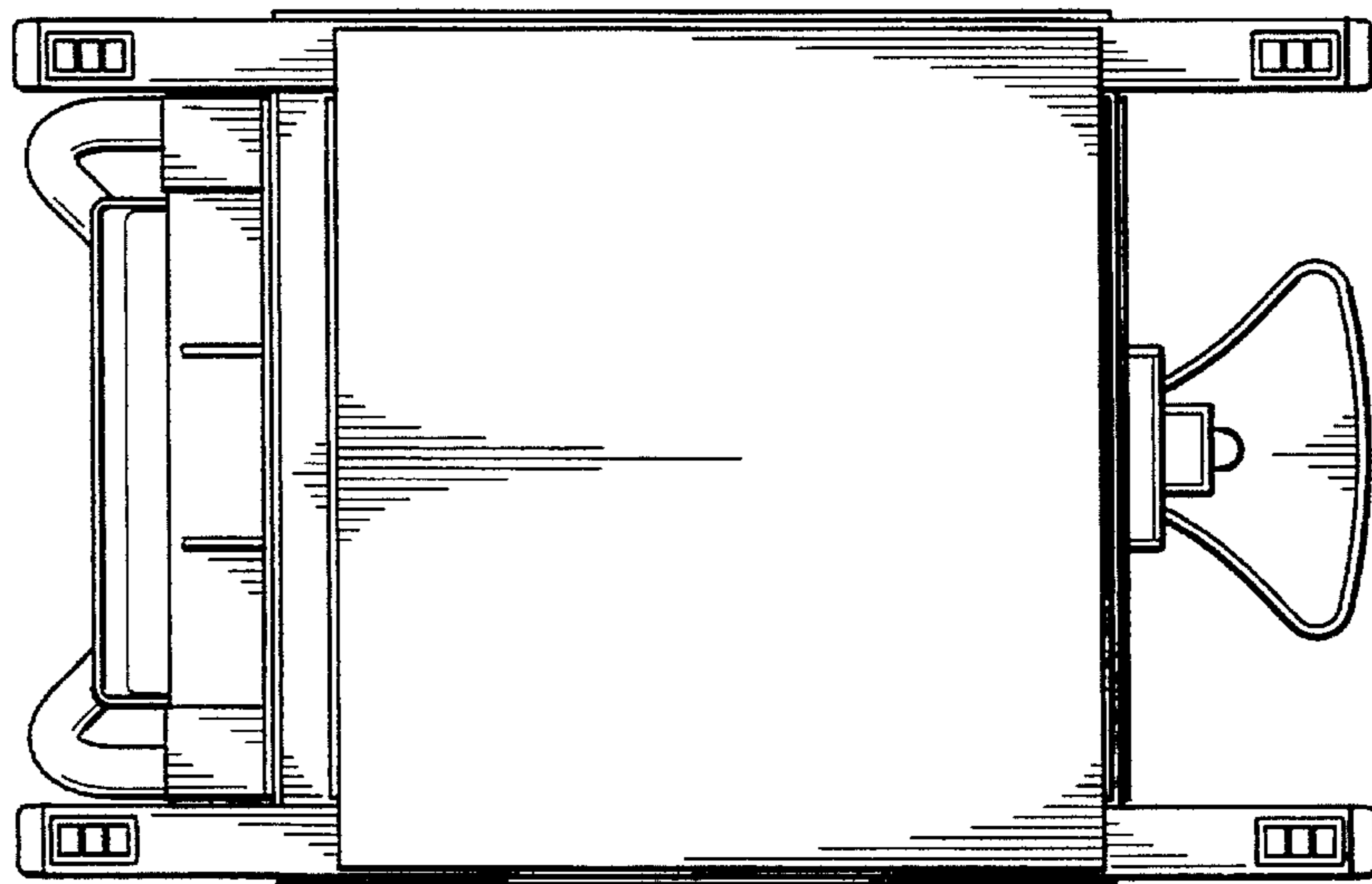


Fig. 3.

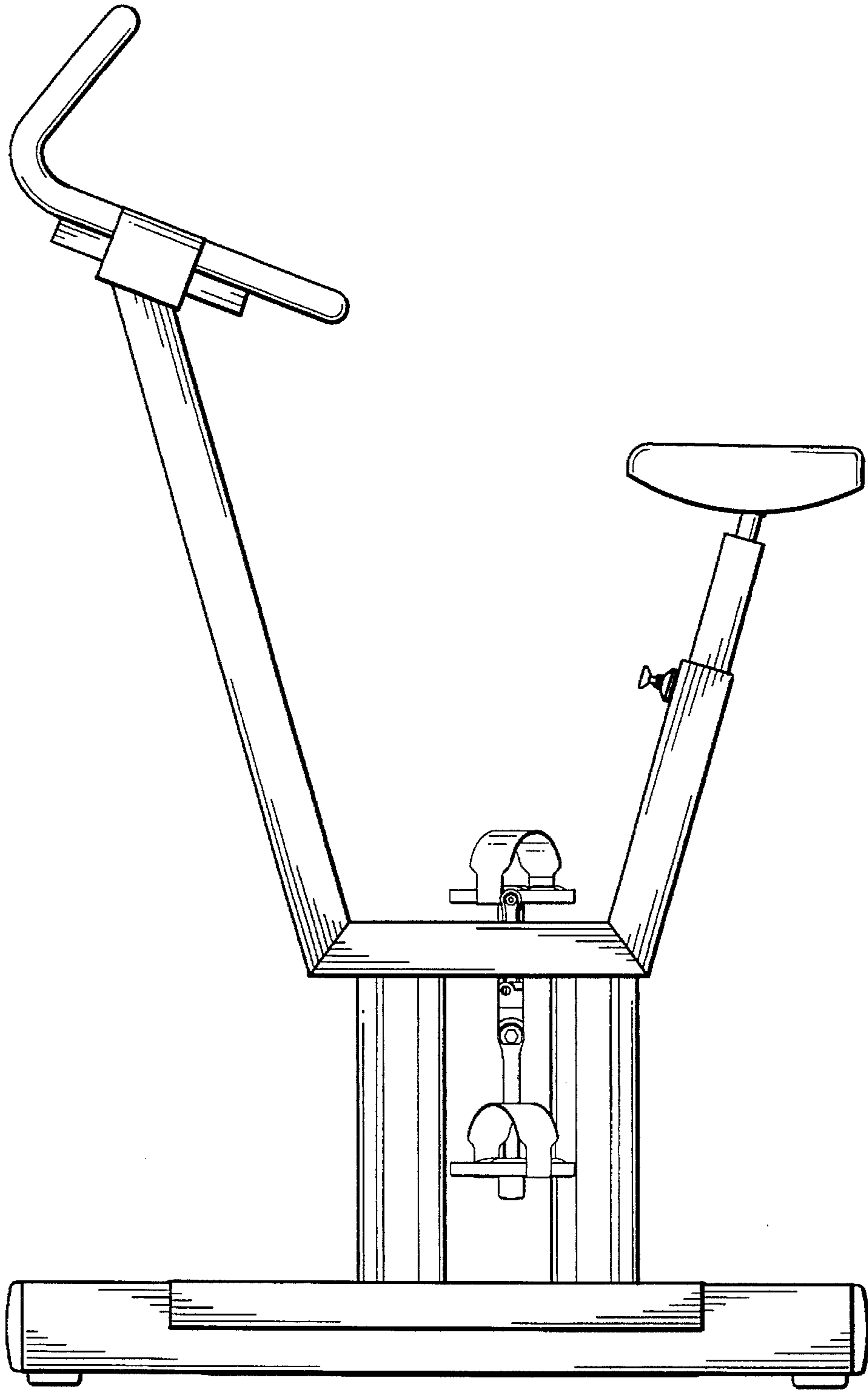


Fig. 4.

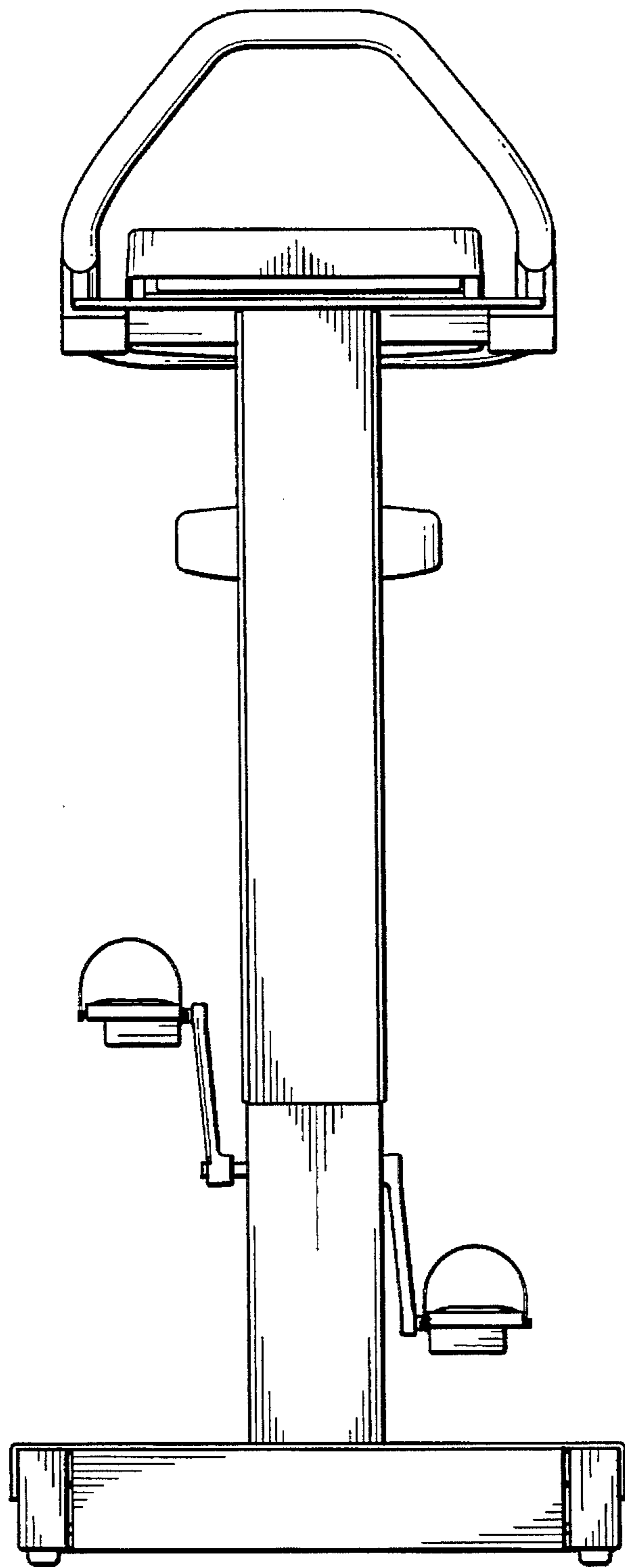


Fig. 5.

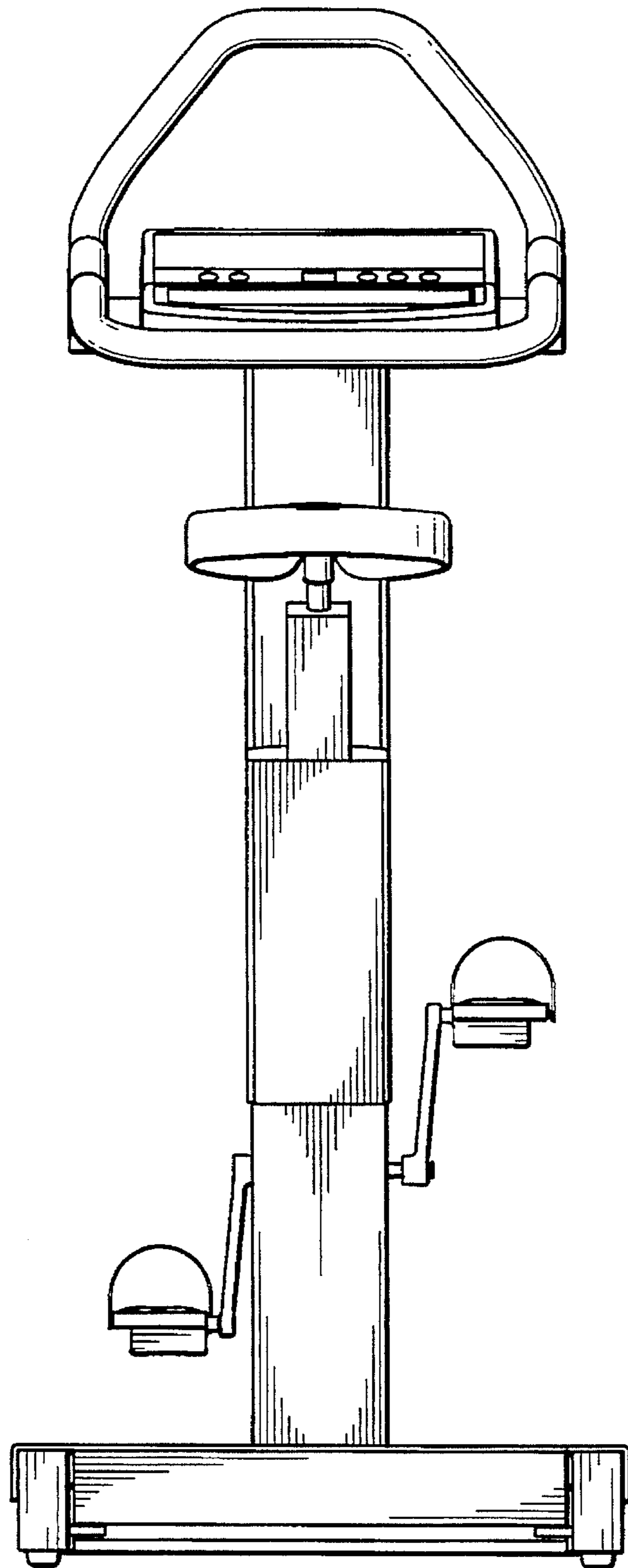


Fig. 6.