



US00D377671S

United States Patent [19] Gabriel

[11] Patent Number: **Des. 377,671**

[45] Date of Patent: ****Jan. 28, 1997**

[54] **RECTANGULAR BRICK FOR A TOY CONSTRUCTION SET**

4,744,780	5/1988	Volpe	446/128
4,764,144	8/1988	Lyman	446/128
4,883,440	11/1989	Bolli	446/128
4,964,834	10/1990	Myller	446/128

[75] Inventor: **Richard Gabriel**, Portland, Oreg.

[73] Assignee: **Matrix Toys, Ltd.**, Portland, Oreg.

[**] Term: **14 Years**

Primary Examiner—Raphael Barkai
Attorney, Agent, or Firm—Chernoff, Vilhauer, McClung & Stenzel

[21] Appl. No.: **49,630**

[22] Filed: **Jan. 11, 1996**

[52] U.S. Cl. **D21/108**

[58] Field of Search D21/108; D25/113;
446/111, 112, 114-116, 120, 124, 125-126,
128; 52/592.6, 591.3, 592.5, 714

[57] **CLAIM**

The ornamental design for a rectangular brick for a toy construction set, as shown and described.

DESCRIPTION

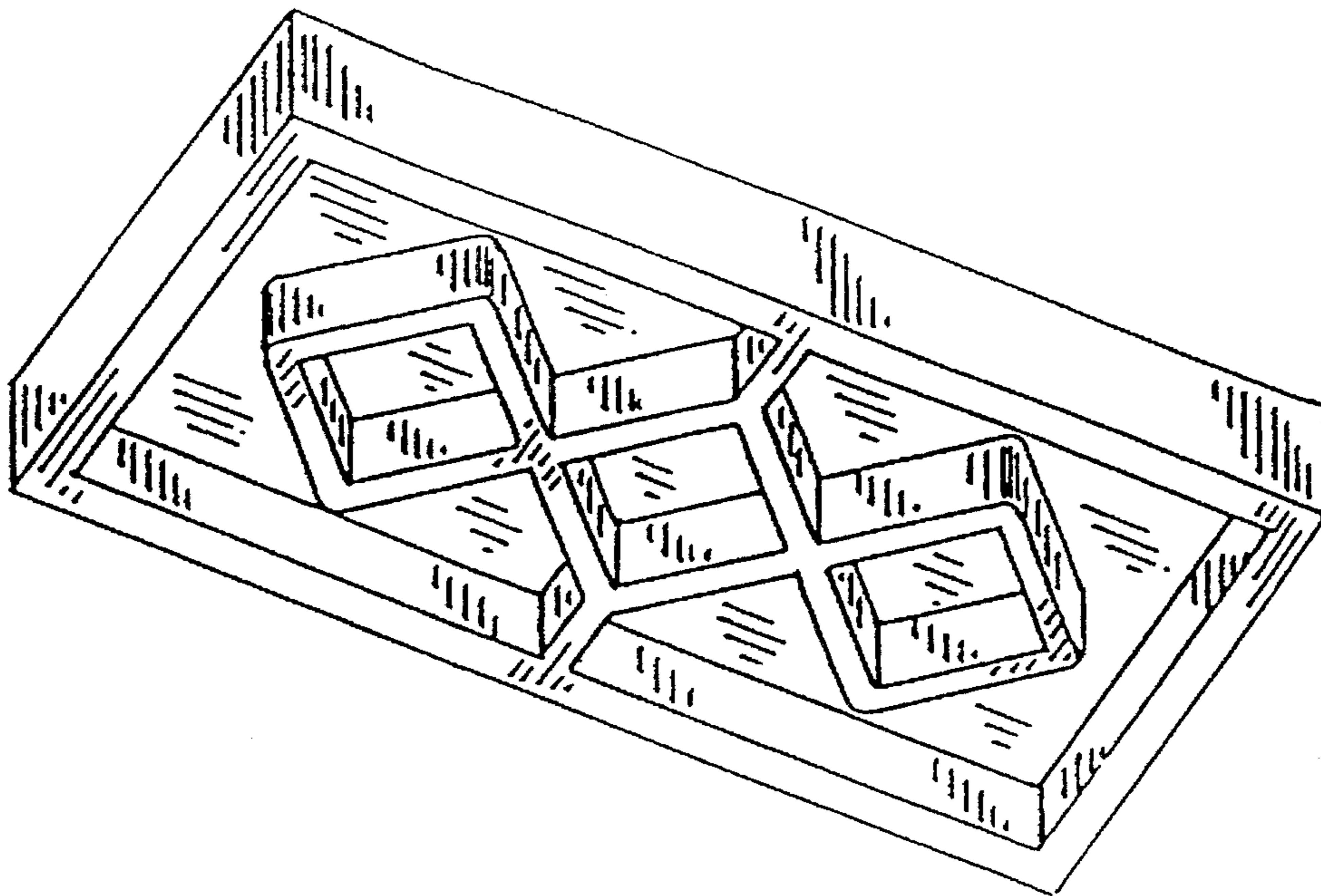
FIG. 1 is a perspective view of a rectangular brick for a toy construction set showing my new design;
FIG. 2 is a top plan view thereof;
FIG. 3 is a bottom plan view thereof;
FIG. 4 is an end elevation view thereof, the opposite end elevation view being identical thereto; and,
FIG. 5 is a side elevation view thereof, the opposite side elevation view being identical thereto.

[56] **References Cited**

U.S. PATENT DOCUMENTS

D. 28,715	5/1898	Adams	D25/113
D. 353,639	12/1994	Ryaa et al.	D21/108
3,162,973	12/1964	Christiansen	446/128
3,597,875	8/1971	Christiansen	446/128

1 Claim, 1 Drawing Sheet



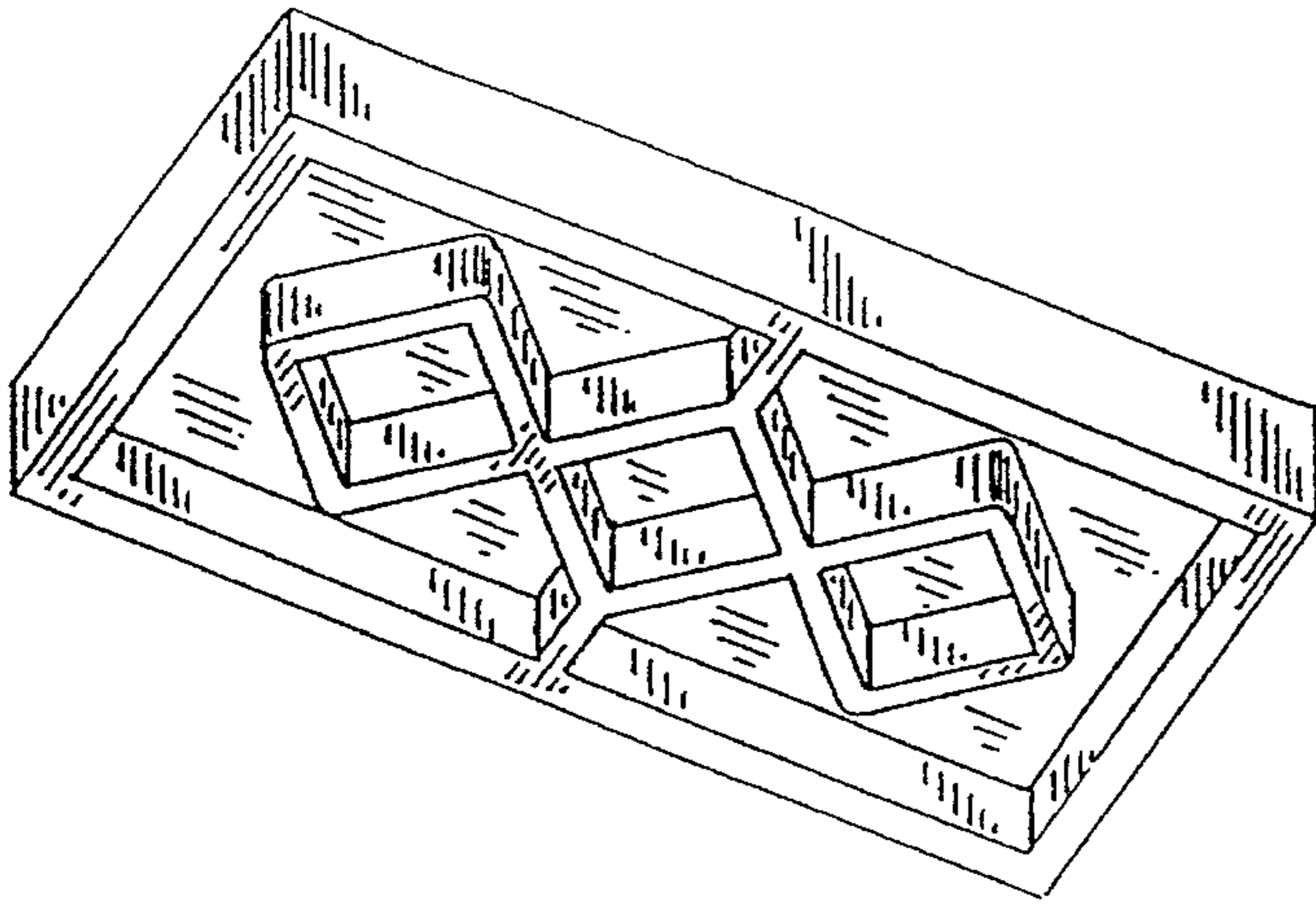


FIG. 1

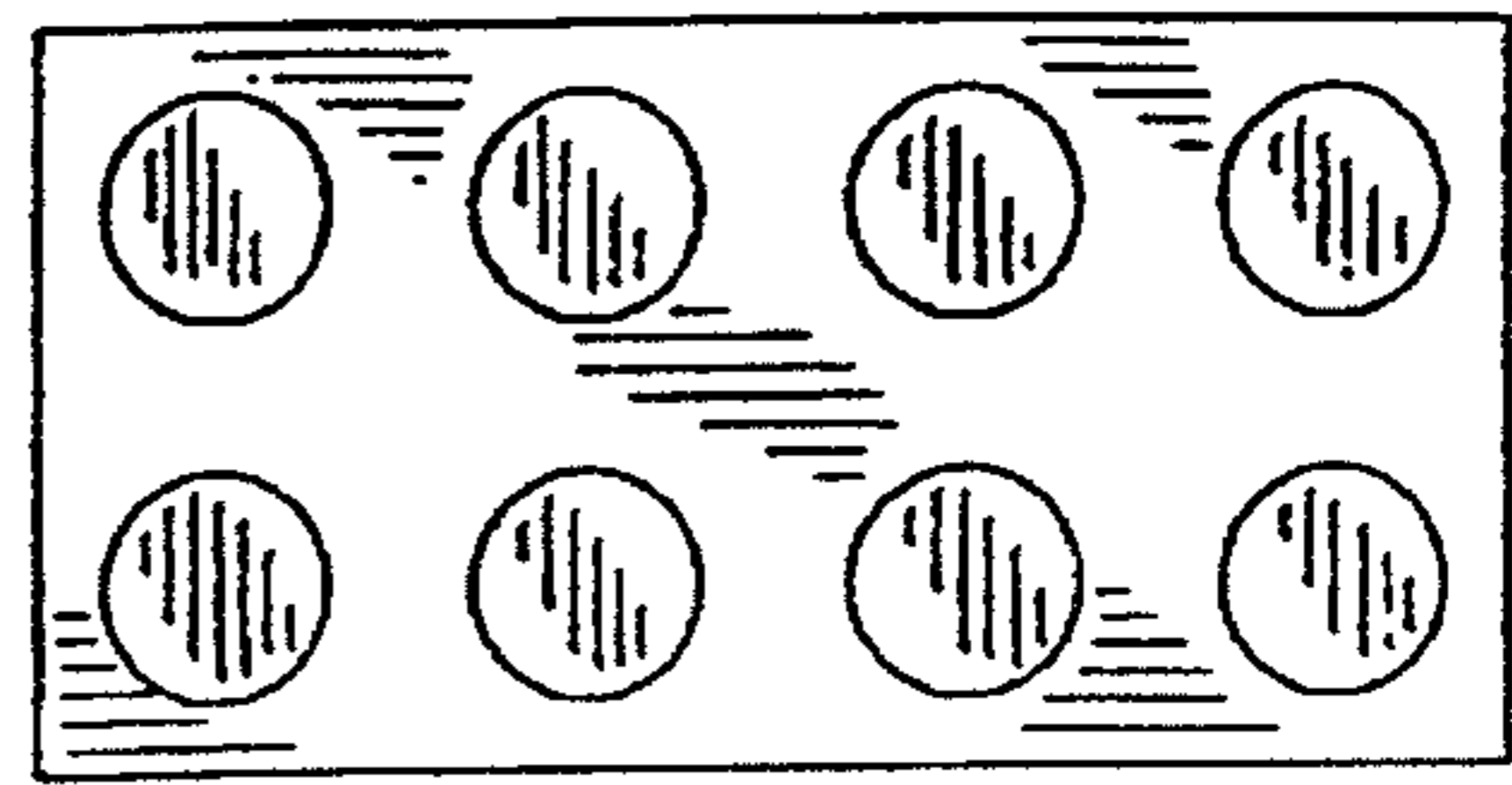


FIG. 2

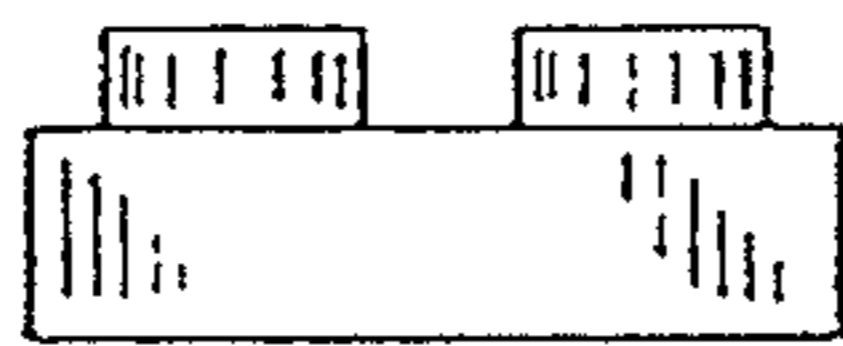


FIG. 4

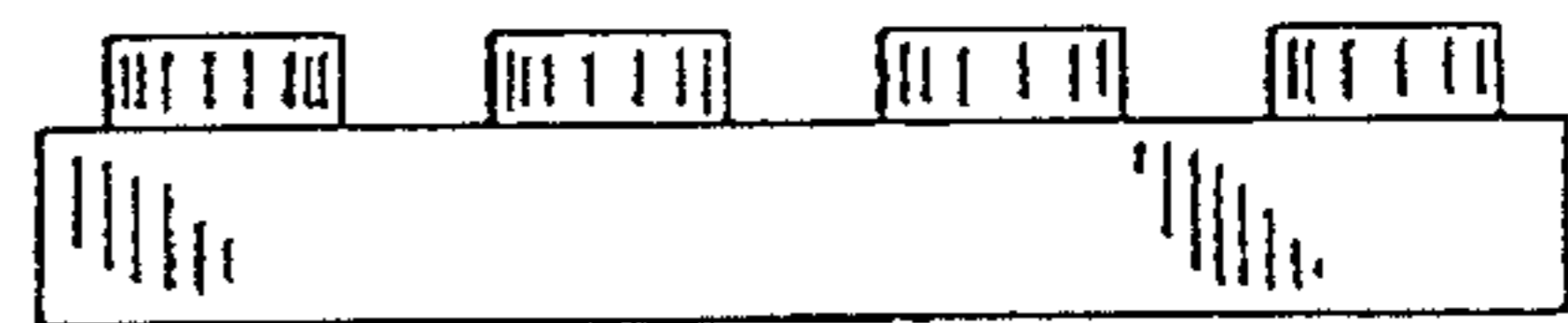


FIG. 5

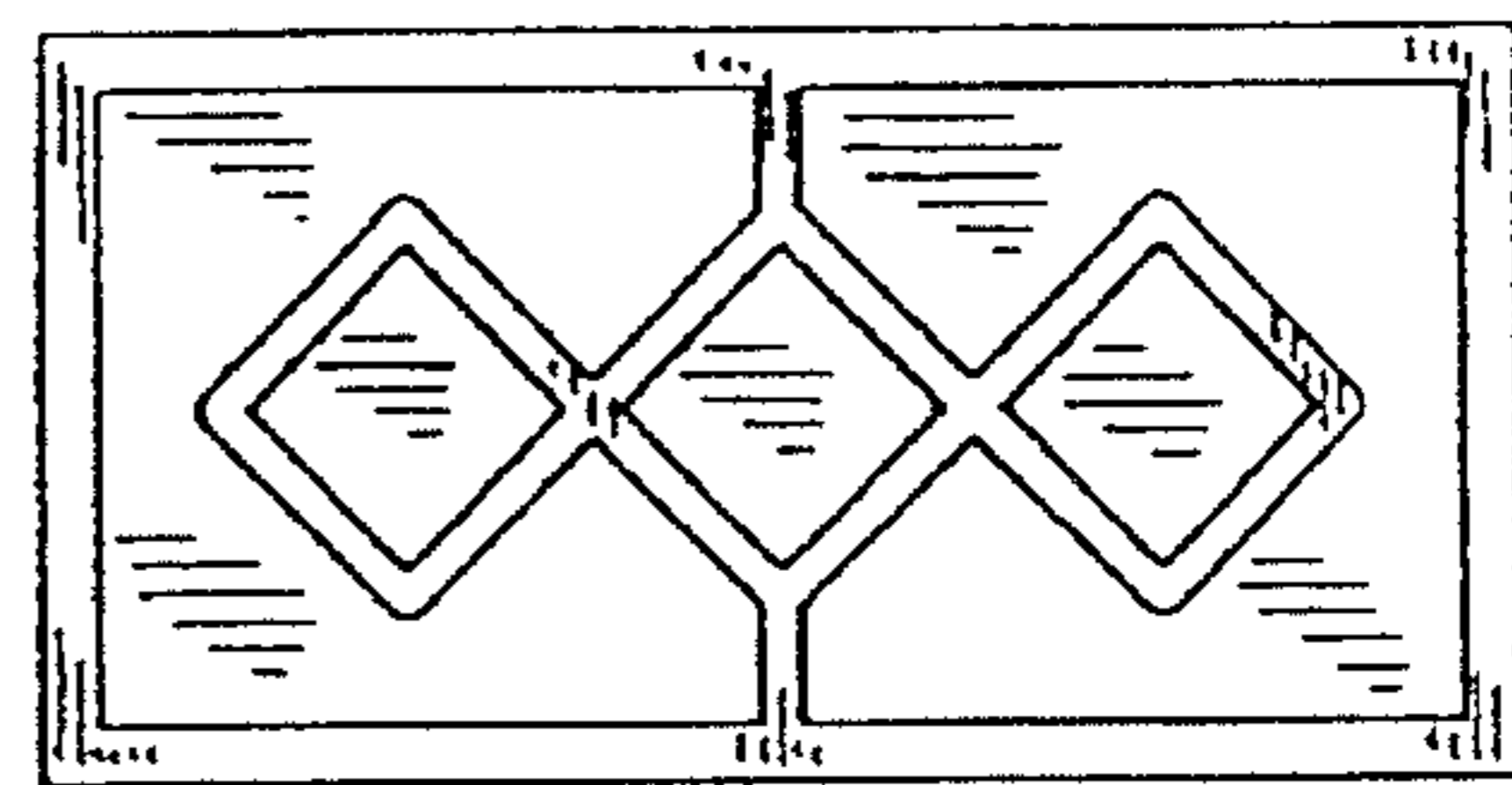


FIG. 3