



US00D377669S

United States Patent [19] Walker

[11] Patent Number: **Des. 377,669**

[45] Date of Patent: ****Jan. 28, 1997**

[54] **TABLE TOP GOLF GAME**

[76] Inventor: **David W. Walker**, 865 W. Franklin,
Berne, Ind. 46711

[**] Term: **14 Years**

[21] Appl. No.: **42,892**

[22] Filed: **Aug. 21, 1995**

[52] U.S. Cl. **D21/18; D21/17**

[58] Field of Search **D21/14-37; 273/236-288**

[56] **References Cited**

U.S. PATENT DOCUMENTS

D. 35,718	2/1902	Sherman, Jr.	D21/17
D. 83,036	1/1931	Evans et al.	D21/17
D. 157,950	4/1950	Goldstein	D21/18
D. 268,351	3/1983	Steinberg	D21/17

FOREIGN PATENT DOCUMENTS

628764 9/1949 United Kingdom 273/285

Primary Examiner—Sandra L. Morris
Attorney, Agent, or Firm—Taylor & Associates, P.C.

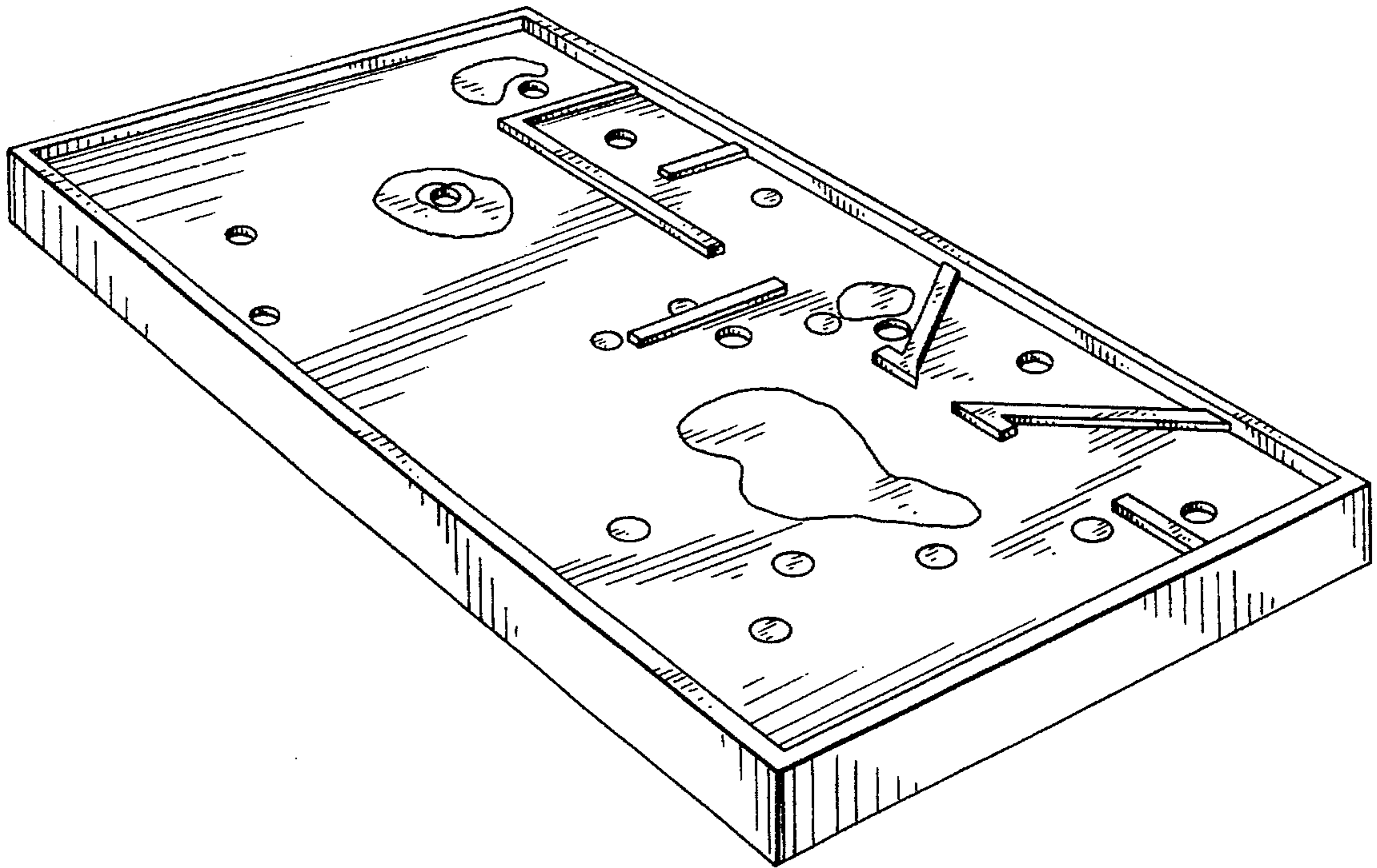
[57] **CLAIM**

The ornamental design for a table top golf game, as shown and described.

DESCRIPTION

FIG. 1 is a perspective view of a table top golf game, showing my new design;
FIG. 2 is a top view thereof;
FIG. 3 is an end view thereof, the opposing end being substantially identical thereto; and,
FIG. 4 is a side view thereof, the opposing side being substantially identical thereto.

1 Claim, 1 Drawing Sheet



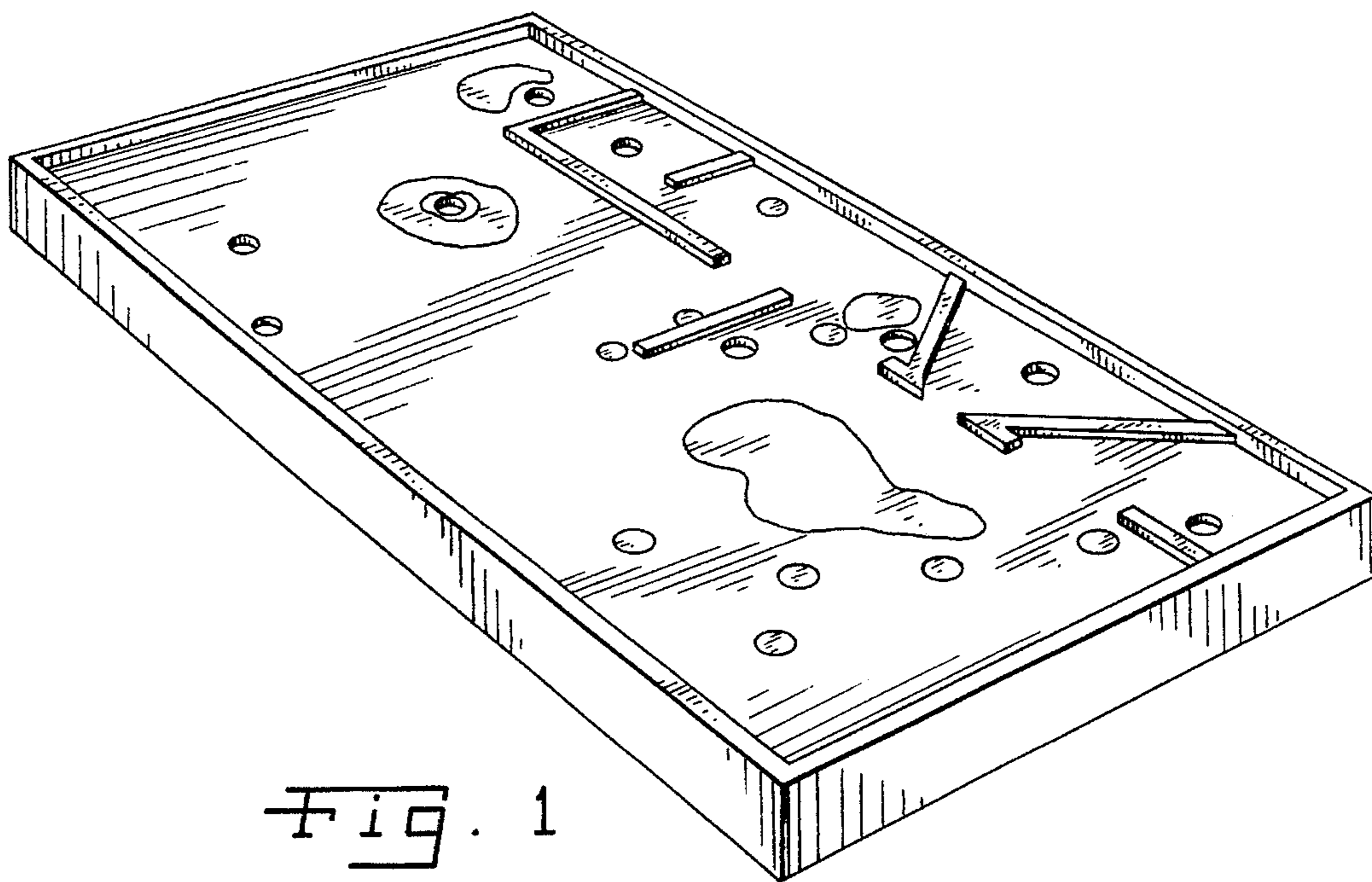


Fig. 1

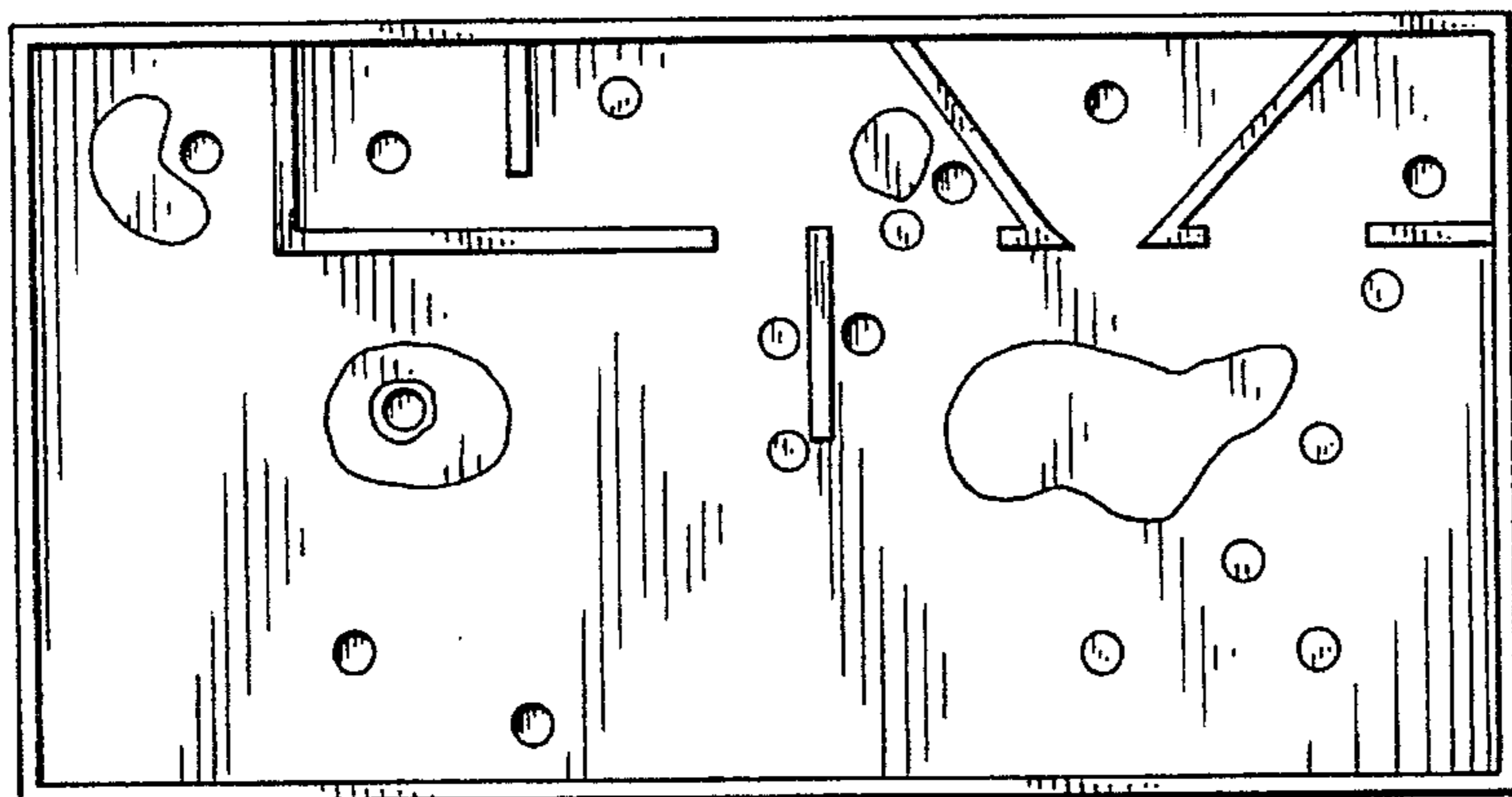


Fig. 2

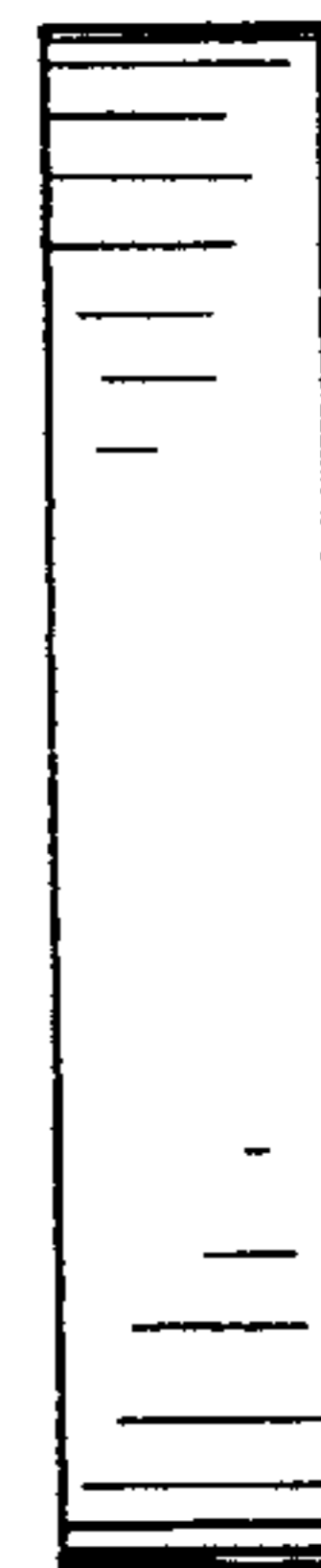


Fig. 3

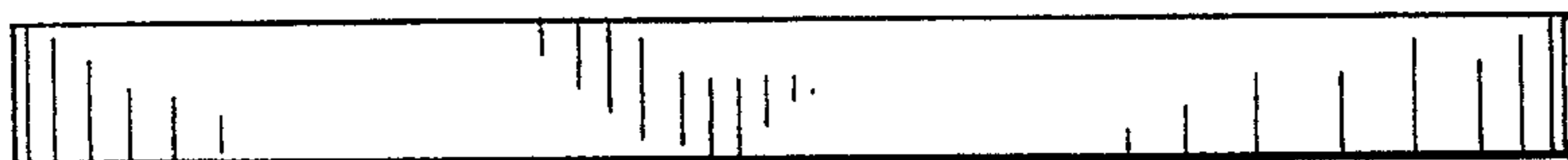


Fig. 4