



US00D377666S

United States Patent [19]

Yuen

[11] Patent Number: **Des. 377,666**

[45] Date of Patent: ****Jan. 28, 1997**

[54] **BATTERY OPERATED PENCIL SHARPENER**

[75] Inventor: **John S. Yuen, Kowloon, Hong Kong**

[73] Assignee: **John Manufacturing Limited, Kowloon, Hong Kong**

[**] Term: **14 Years**

[21] Appl. No.: **46,163**

[22] Filed: **Nov. 8, 1995**

[30] **Foreign Application Priority Data**

May 11, 1995 [GB] United Kingdom 2047415

[52] U.S. Cl. **D19/73; D19/65**

[58] Field of Search D19/35, 36, 68, D19/73, 74, 95, 99, 100; 144/28.1, 28.11, 28.2-28.7, 30; 30/451-453, 459

[56] **References Cited**

U.S. PATENT DOCUMENTS

D. 98,877	3/1936	Lobel et al.	D19/73 X
D. 240,223	6/1976	MacGregor	D19/73
D. 311,027	10/1990	Yuen	D19/73
D. 354,987	1/1995	Yuen	D19/73

FOREIGN PATENT DOCUMENTS

1038013 11/1986 United Kingdom .

OTHER PUBLICATIONS

Office Appliances, Jan. 1963, p. 40, see Circled Pencil Sharpener, upper right.

Primary Examiner—Martie Thompson

Attorney, Agent, or Firm—Fay, Sharpe, Beall, Fagan, Minnich & McKee

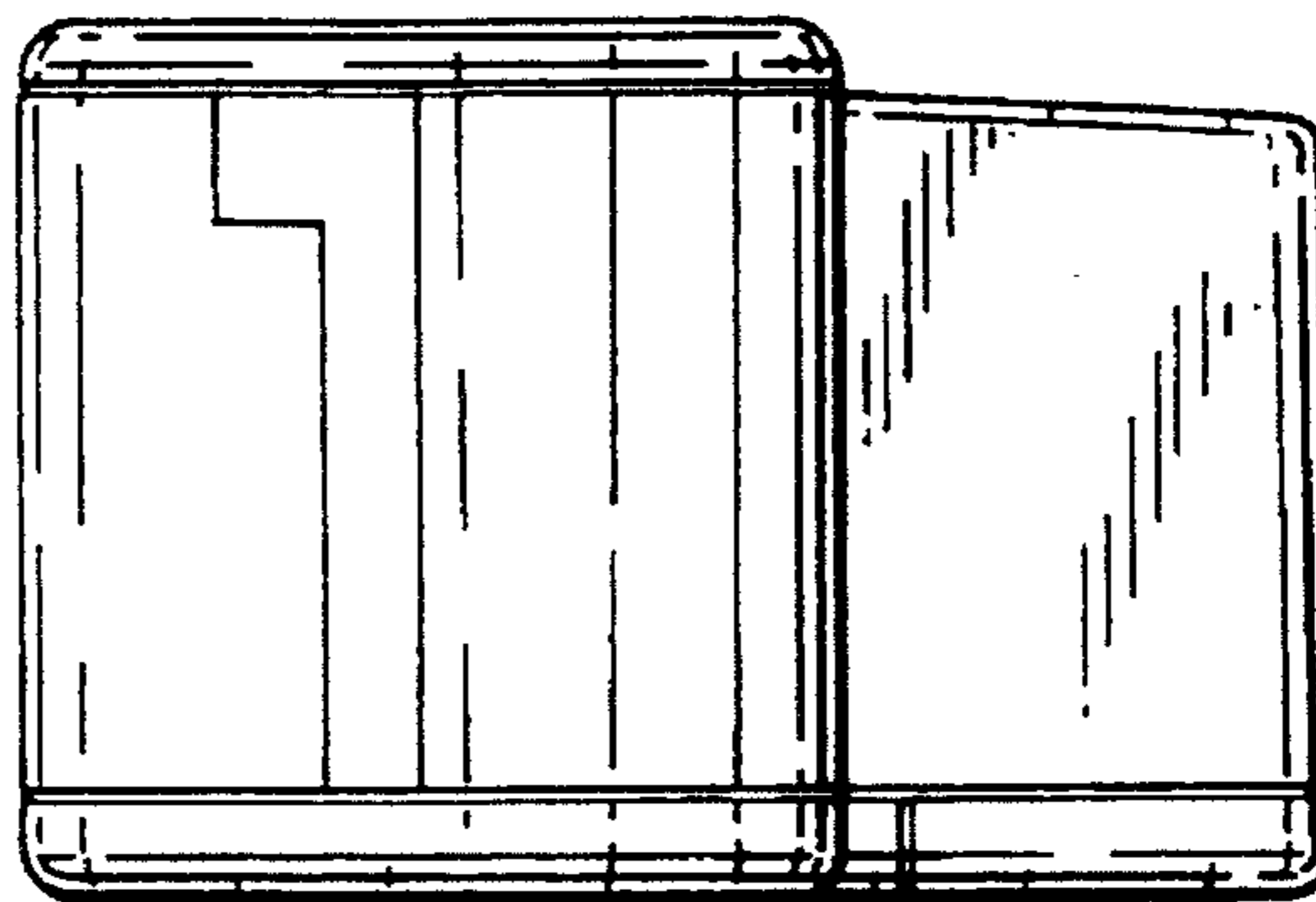
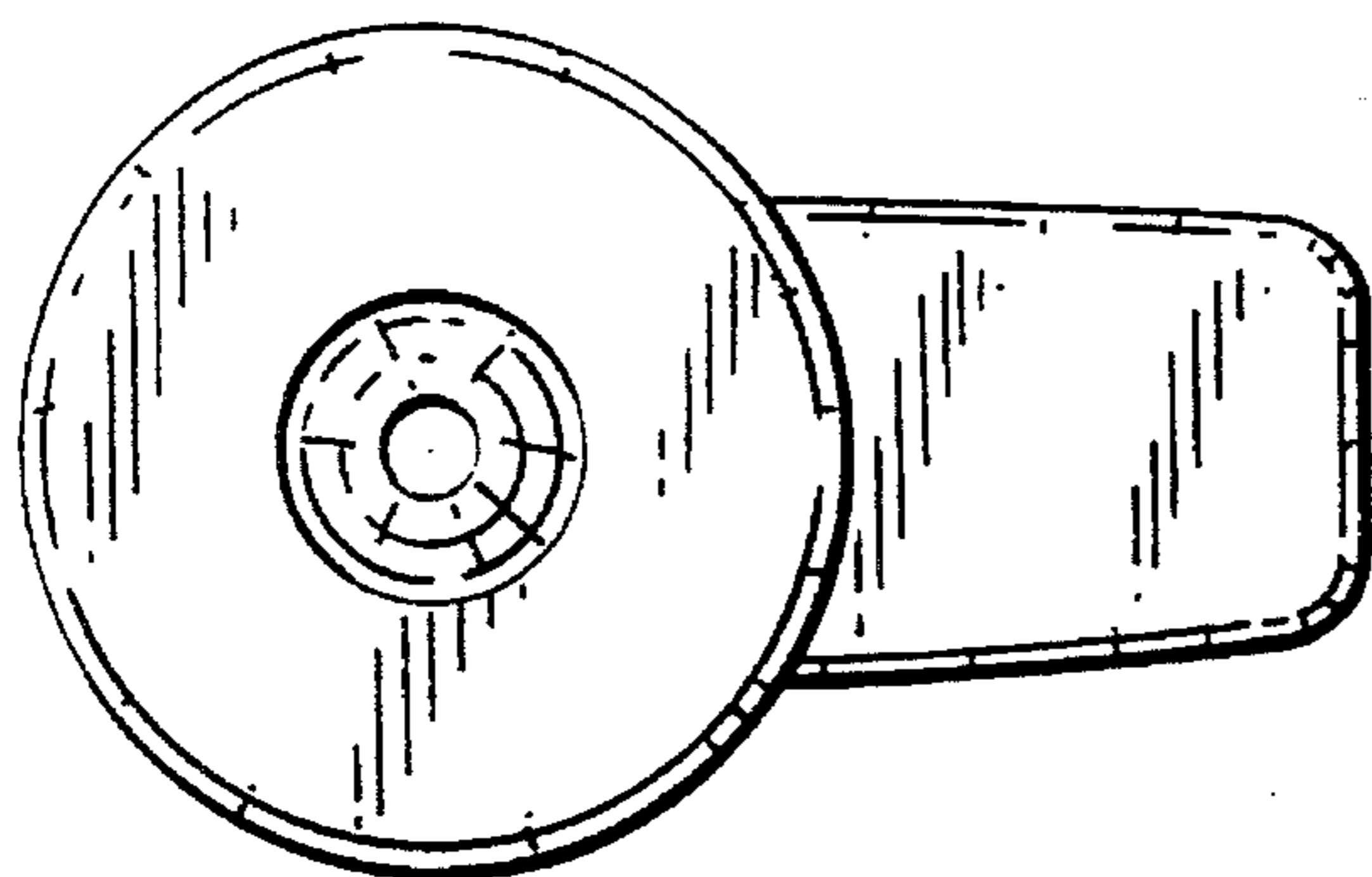
[57] **CLAIM**

The ornamental design for a battery operated pencil sharpener, as shown and described.

DESCRIPTION

FIG. 1 is a top plan view of a battery operated pencil sharpener showing my new design; FIG. 2 is a bottom plan view thereof; FIG. 3 is a front elevational view thereof; FIG. 4 is a rear elevational view thereof; and, FIG. 5 is a right side elevational view, the opposite side being a mirror image.

1 Claim, 1 Drawing Sheet



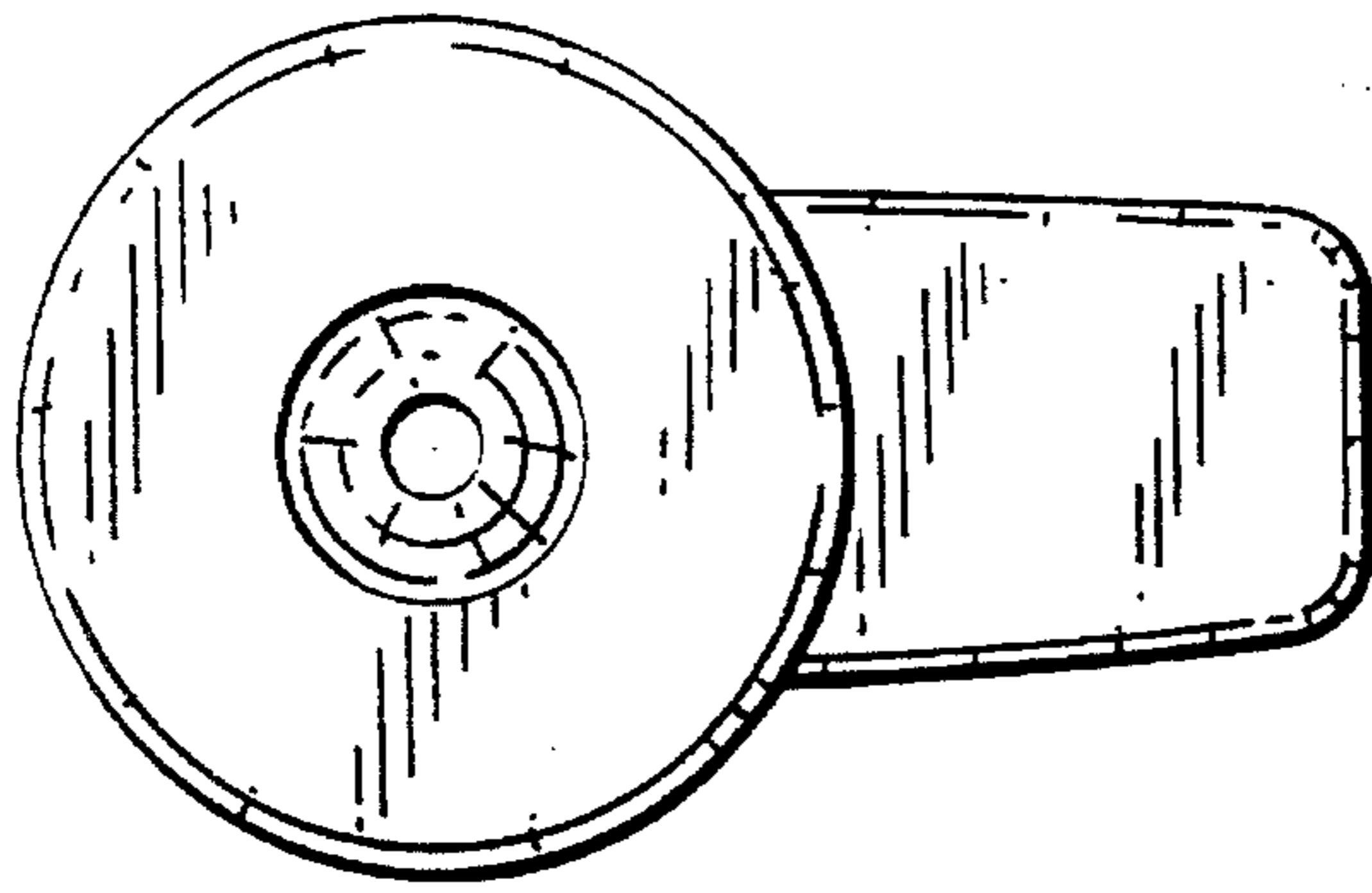


FIG. 1

FIG. 2

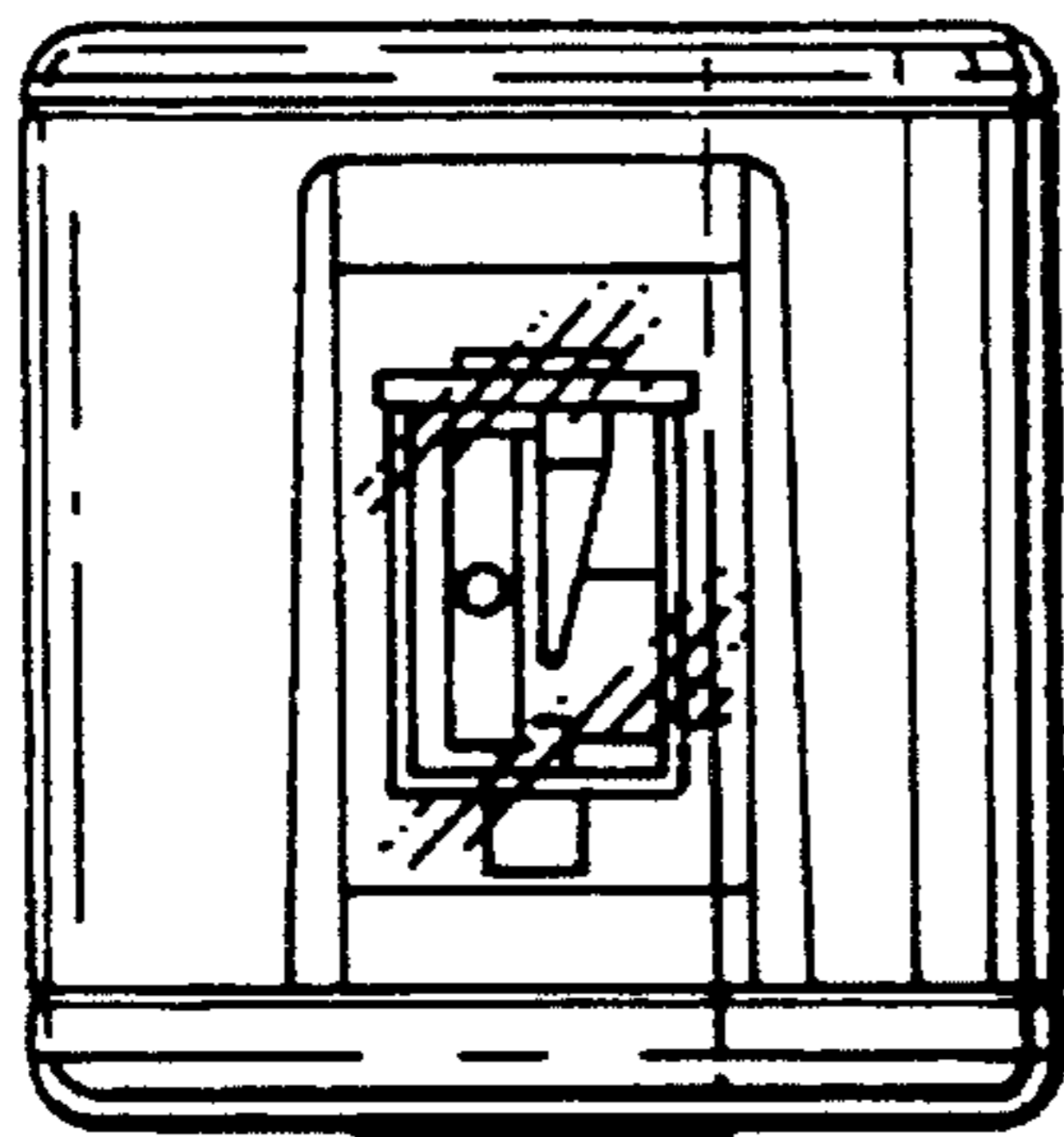
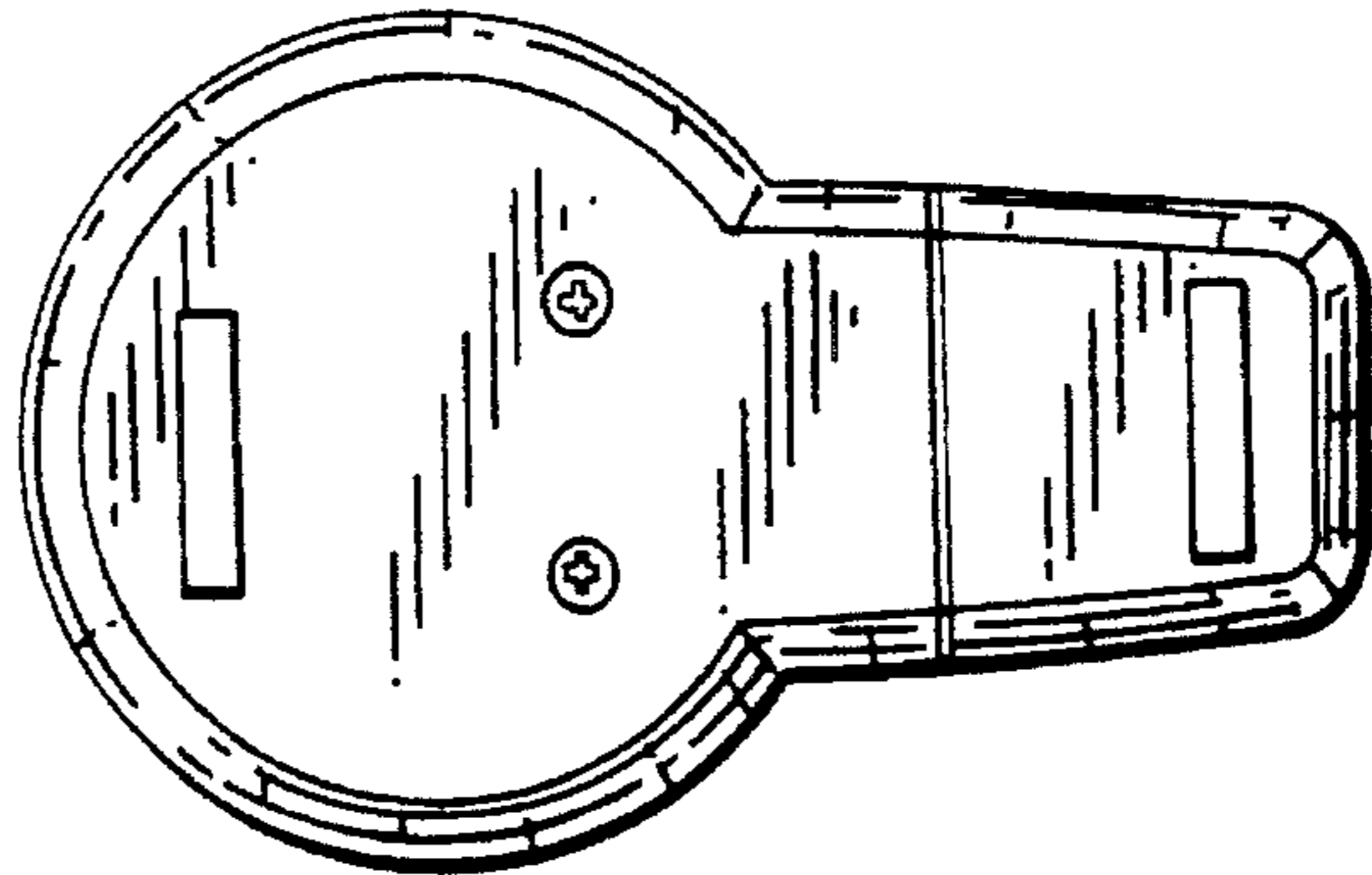


FIG. 3

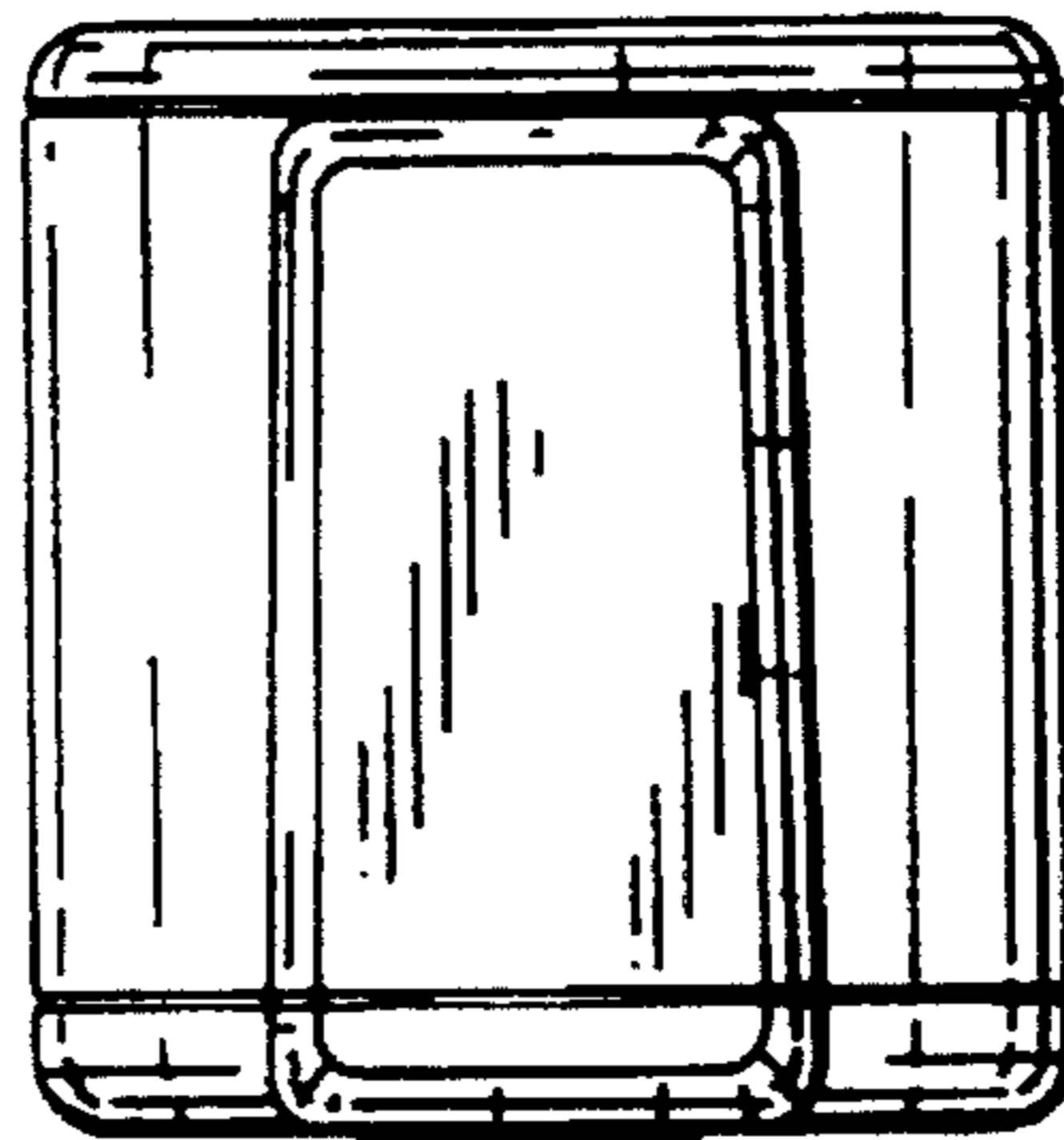


FIG. 4

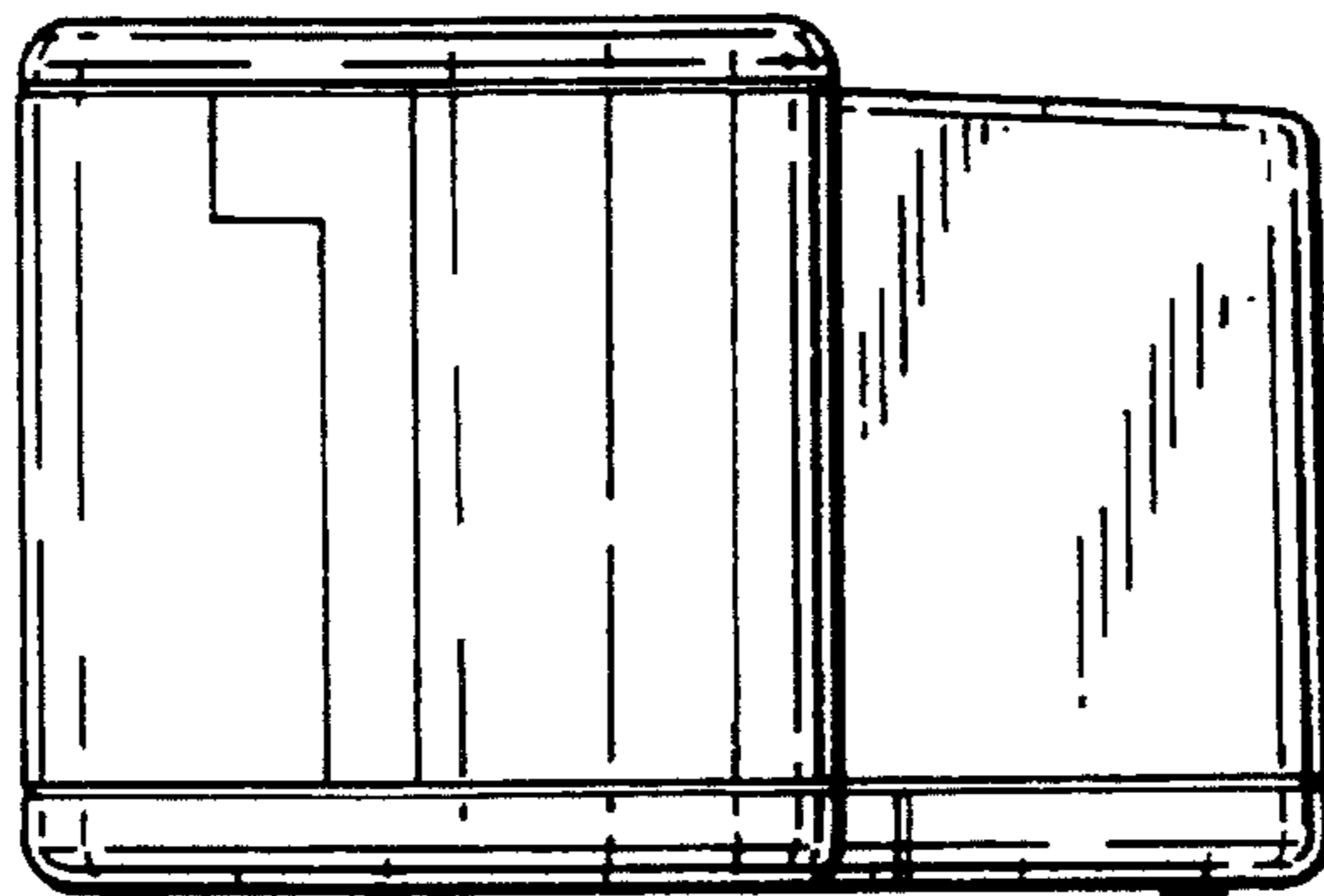


FIG. 5