



US00D377665S

# United States Patent [19]

[11] Patent Number: **Des. 377,665**

Saddler et al.

[45] Date of Patent: **\*\*Jan. 28, 1997**

[54] **ELECTRONIC TEACHING QUIZZER**

*Assistant Examiner*—Pamela Burgess  
*Attorney, Agent, or Firm*—Price, Gess & Ubell

[75] Inventors: **Damon R. Saddler**, Inglewood;  
**Gregory B. Bergeron**, La Habra; **Brian A. Mehler**, Long Beach, all of Calif.

## [57] CLAIM

The ornamental design for an electronic teaching quizzer, as shown and described.

[73] Assignee: **Educational Insights, Inc.**, Carson, Calif.

## DESCRIPTION

[\*\*] Term: **14 Years**

FIG. 1 is a front perspective view of the electronic teaching quizzer showing the new design in a closed storage configuration;

[21] Appl. No.: **52,089**

FIG. 2 is a left side elevational view of FIG. 1;

[22] Filed: **Mar. 22, 1996**

FIG. 3 is a right side elevational view of FIG. 1;

[52] U.S. Cl. .... **D19/60; D14/106; D21/13**

FIG. 4 is a top plan view of FIG. 1;

[58] Field of Search ..... **D19/59, 60, 61, D19/62, 63, 64; 434/169, 185, 201, 307 R, 308**

FIG. 5 is a front elevational view of FIG. 1;

FIG. 6 is a rear elevational view of FIG. 1;

FIG. 7 is a bottom plan view of FIG. 1;

FIG. 8 is a front perspective view of the electronic teaching quizzer in an open configuration;

FIG. 9 is a left side elevational view of FIG. 8;

FIG. 10 is a right side elevational view of FIG. 8;

FIG. 11 is a top plan view of FIG. 8;

FIG. 12 is a front elevational view of FIG. 8;

FIG. 13 is a rear elevational view of FIG. 8; and,

FIG. 14 is a bottom plan view of FIG. 8.

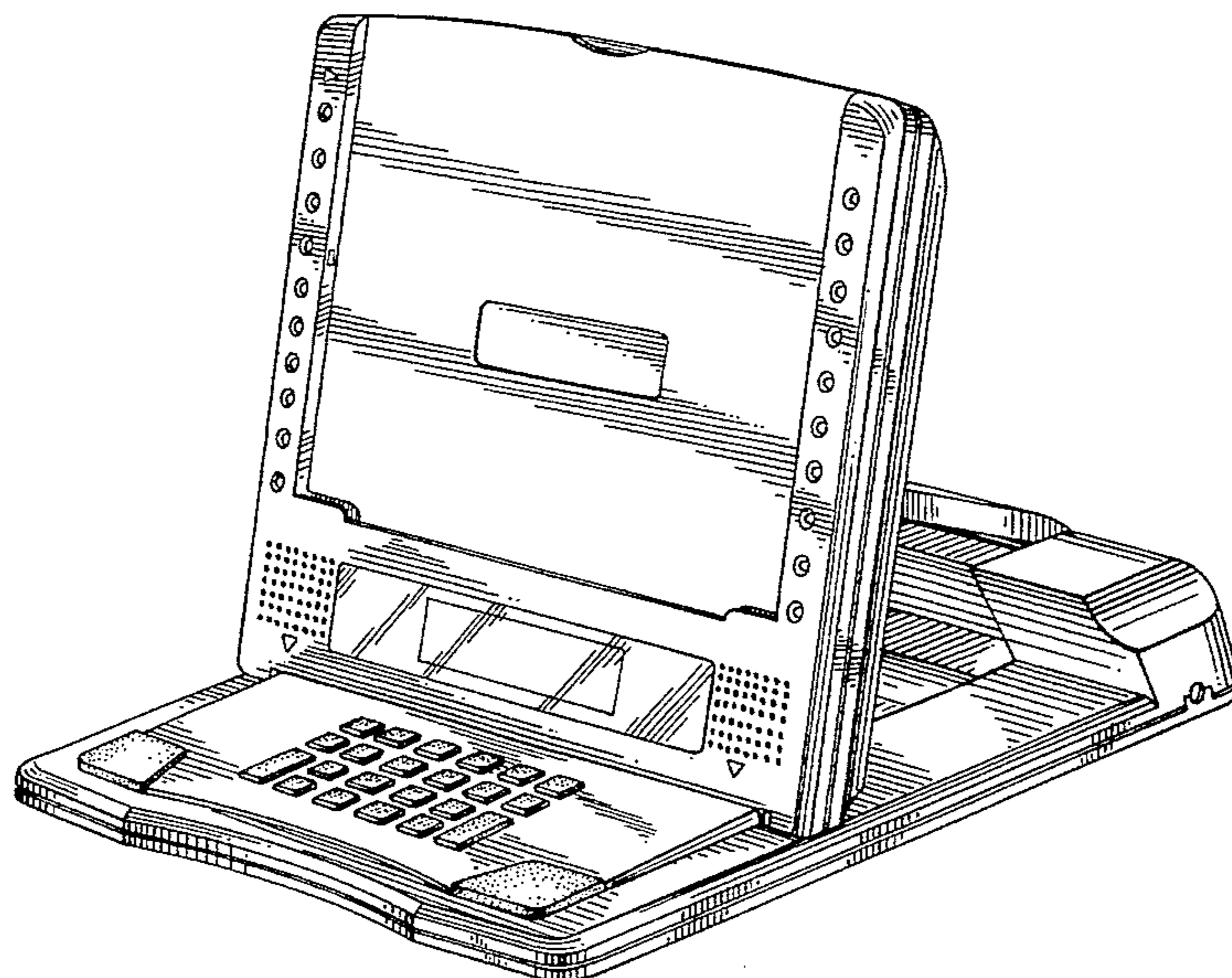
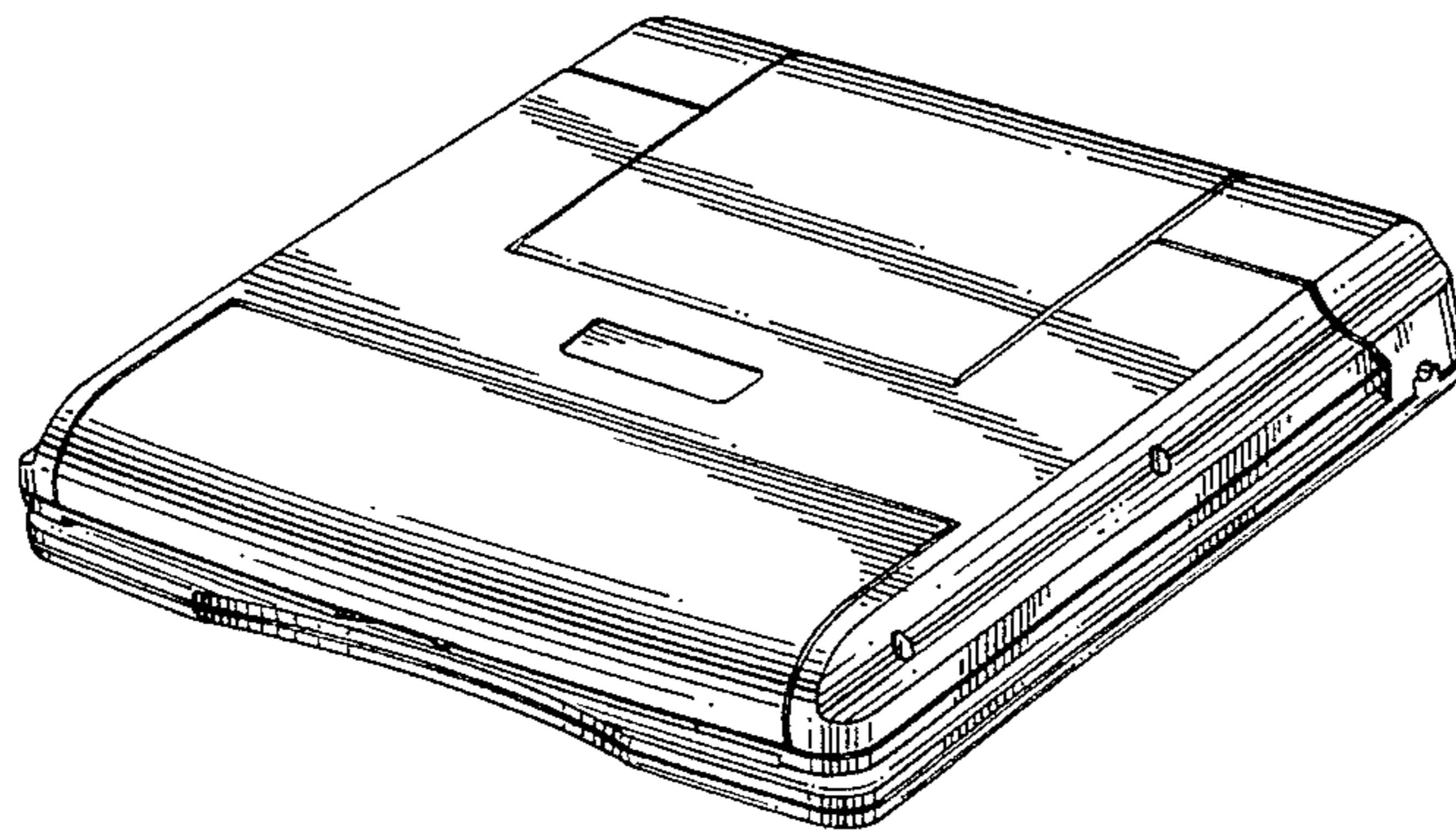
## [56] References Cited

### U.S. PATENT DOCUMENTS

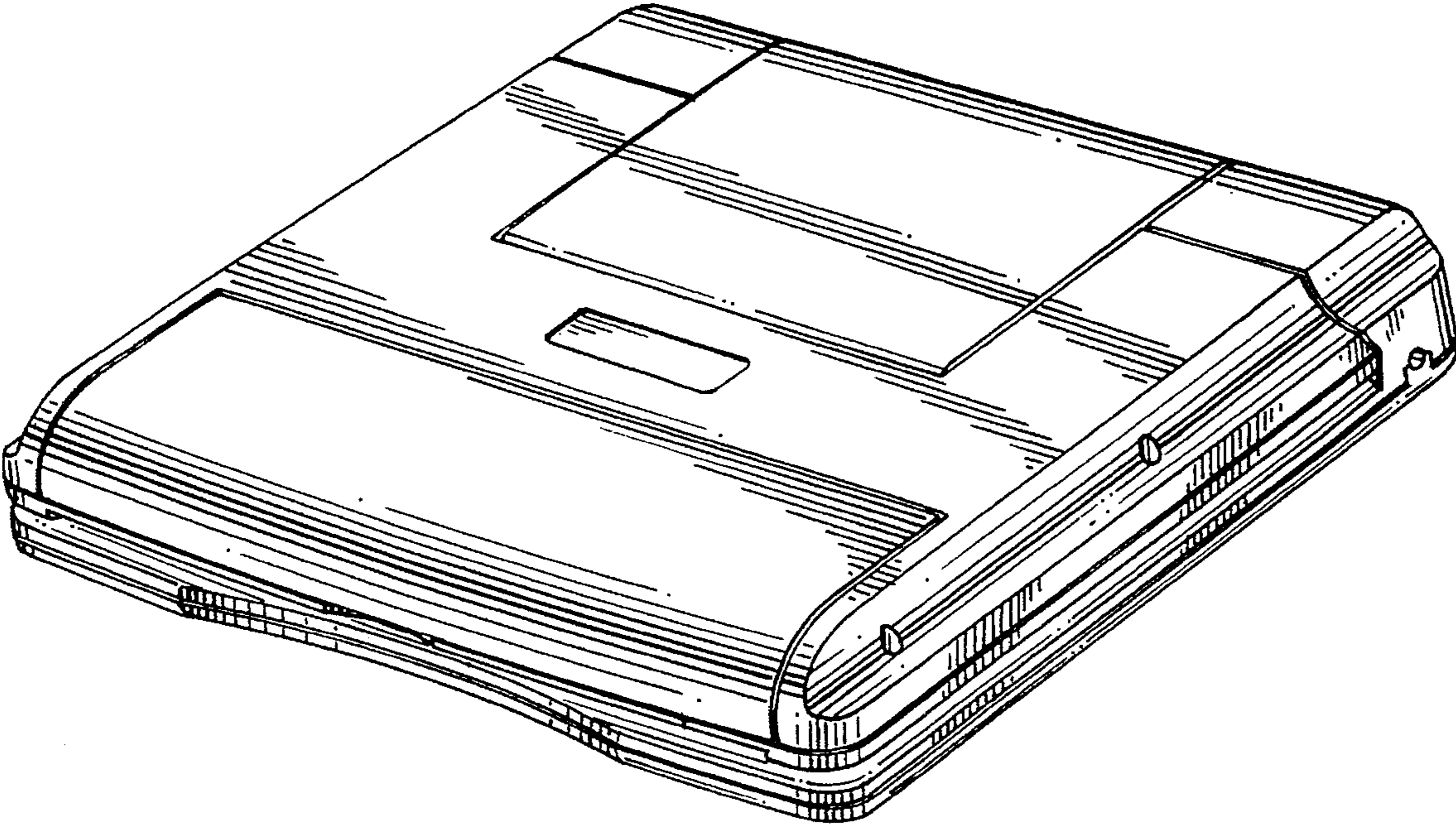
D. 312,075	11/1990	Lam	.....	D14/106
D. 349,299	8/1994	Fok	.....	D19/60
D. 356,781	3/1995	Poon	.....	D19/60 X
D. 361,784	8/1995	Saddler et al.	.....	D19/60 X
D. 364,889	12/1995	Ishiura	.....	D14/106 X

*Primary Examiner*—Susan J. Lucas

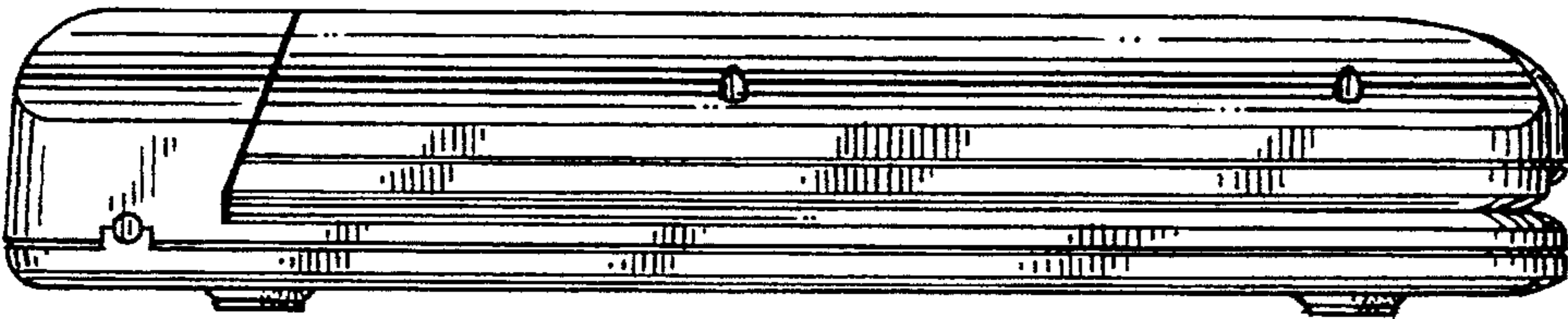
**1 Claim, 8 Drawing Sheets**



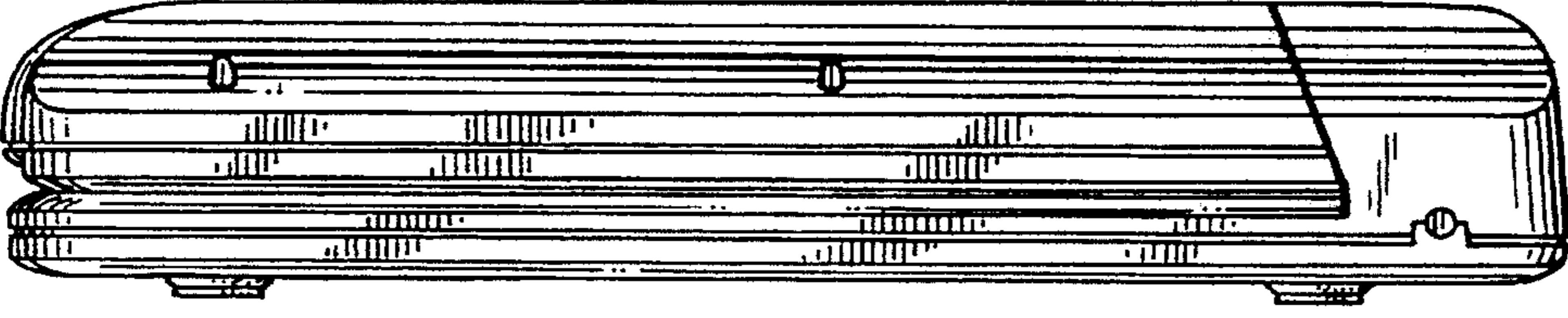
*FIG. 1*



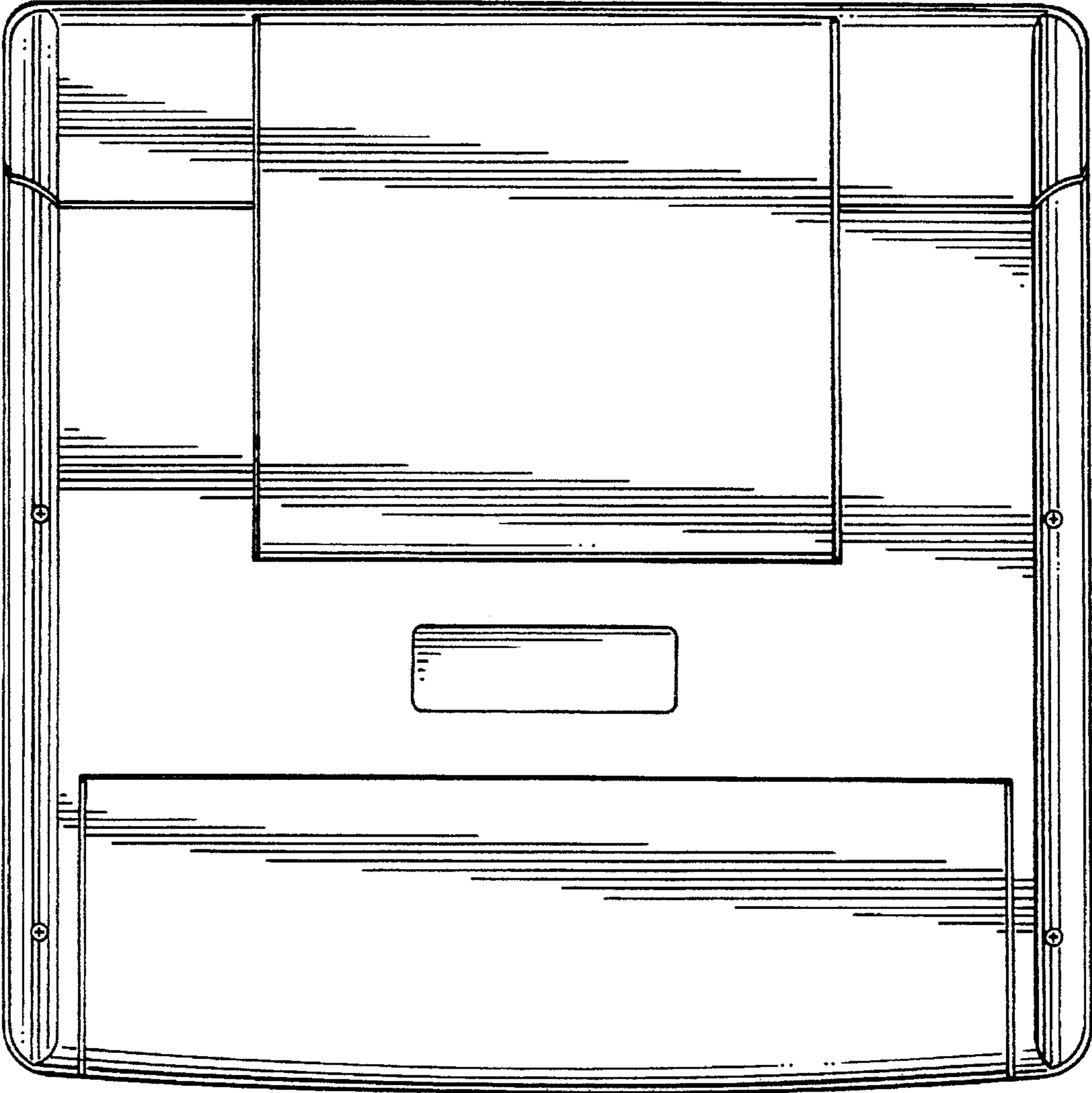
*FIG. 2*



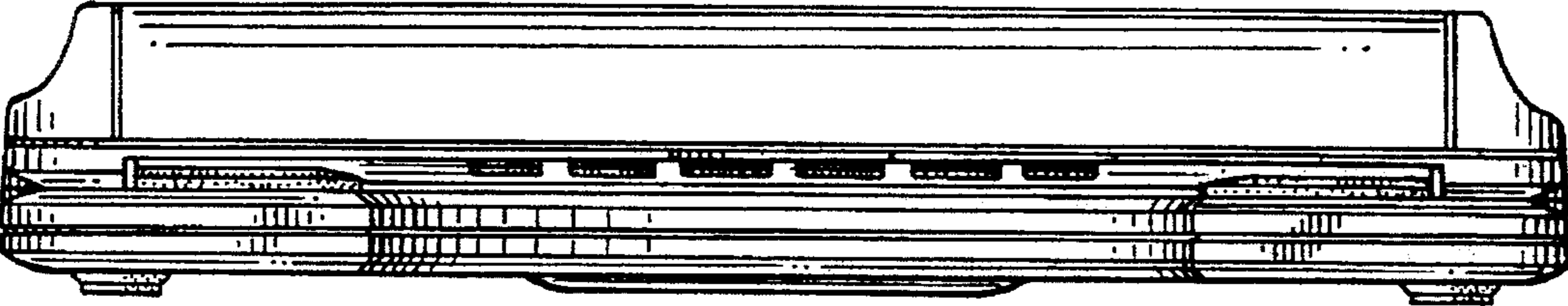
*FIG. 3*



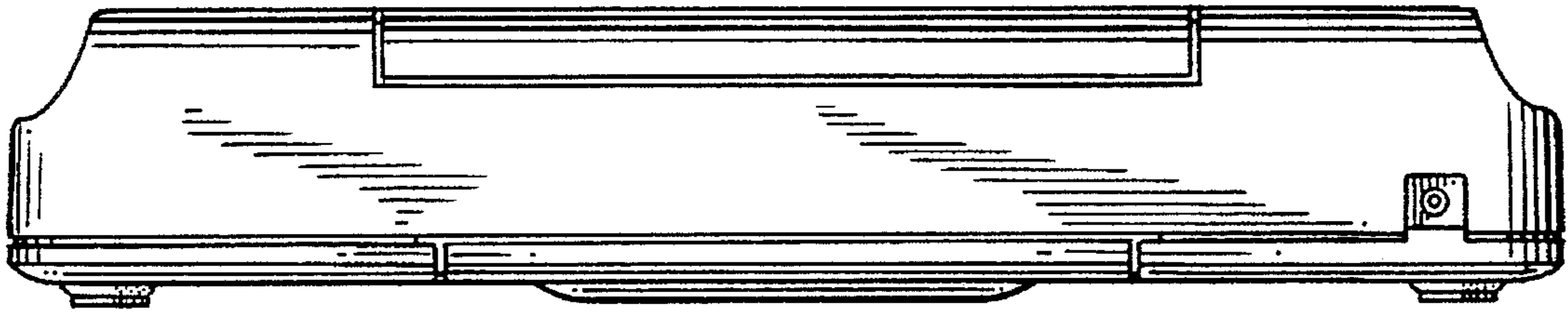
*FIG. 4*



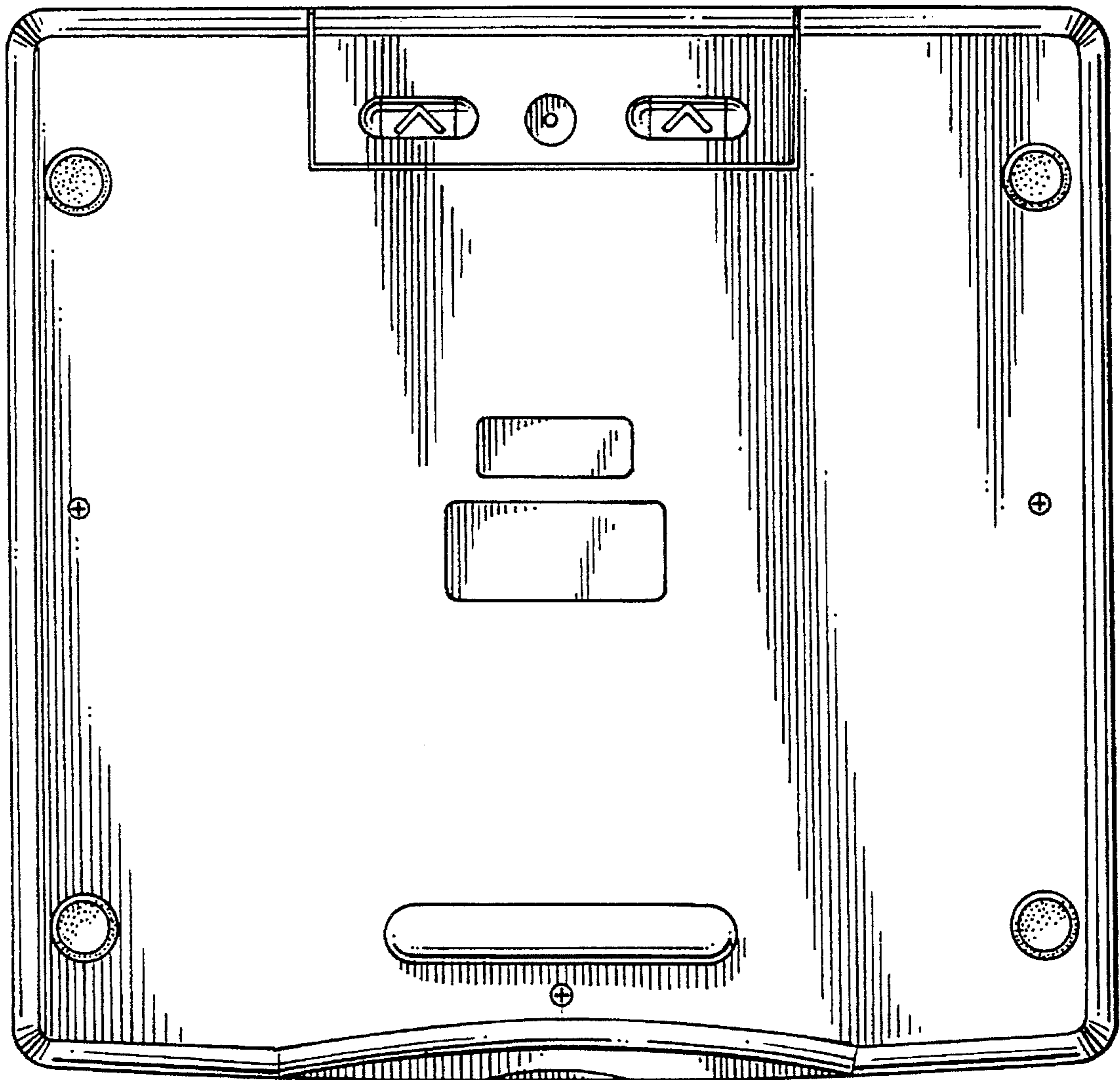
*FIG. 5*



*FIG. 6*



*FIG. 7*



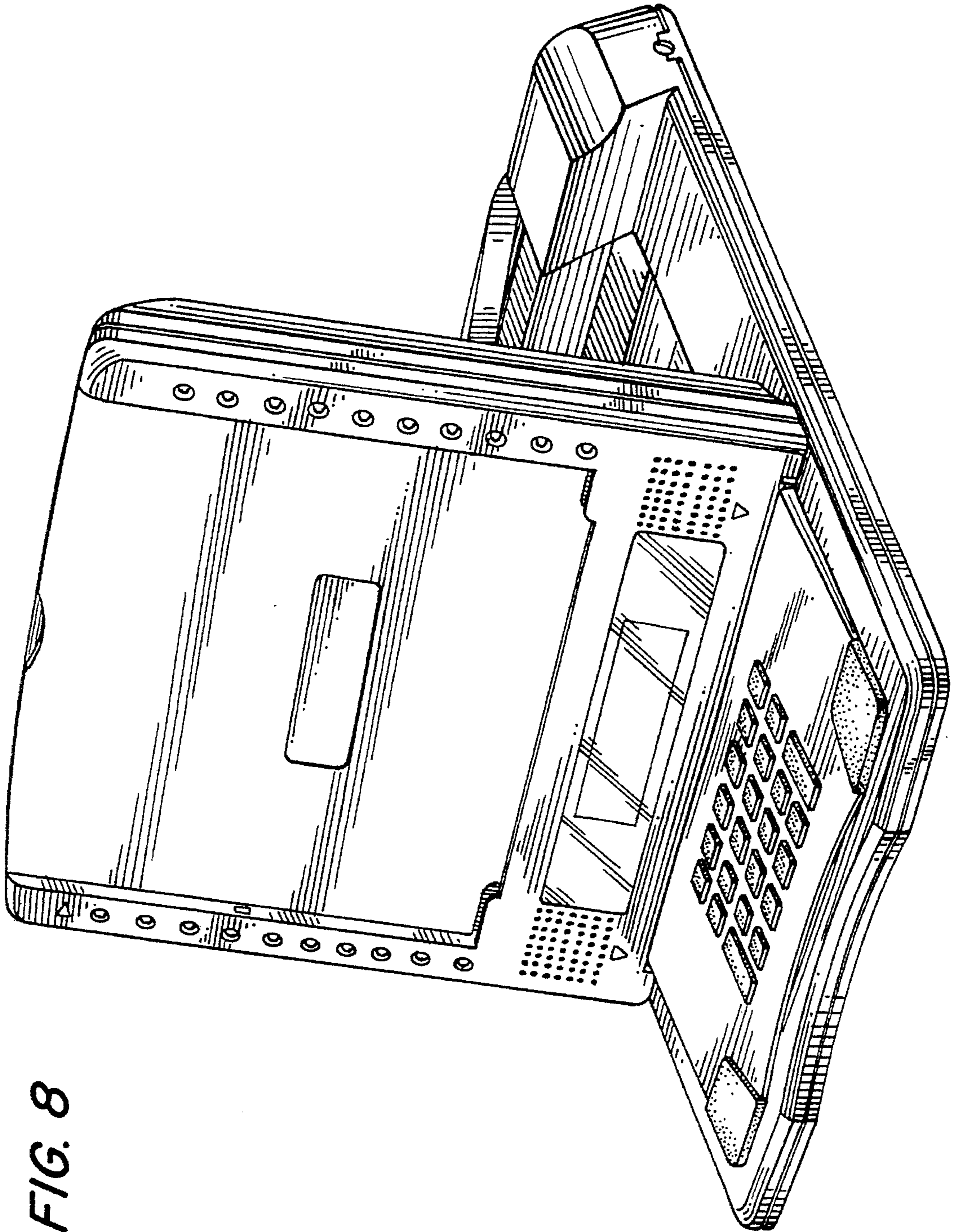
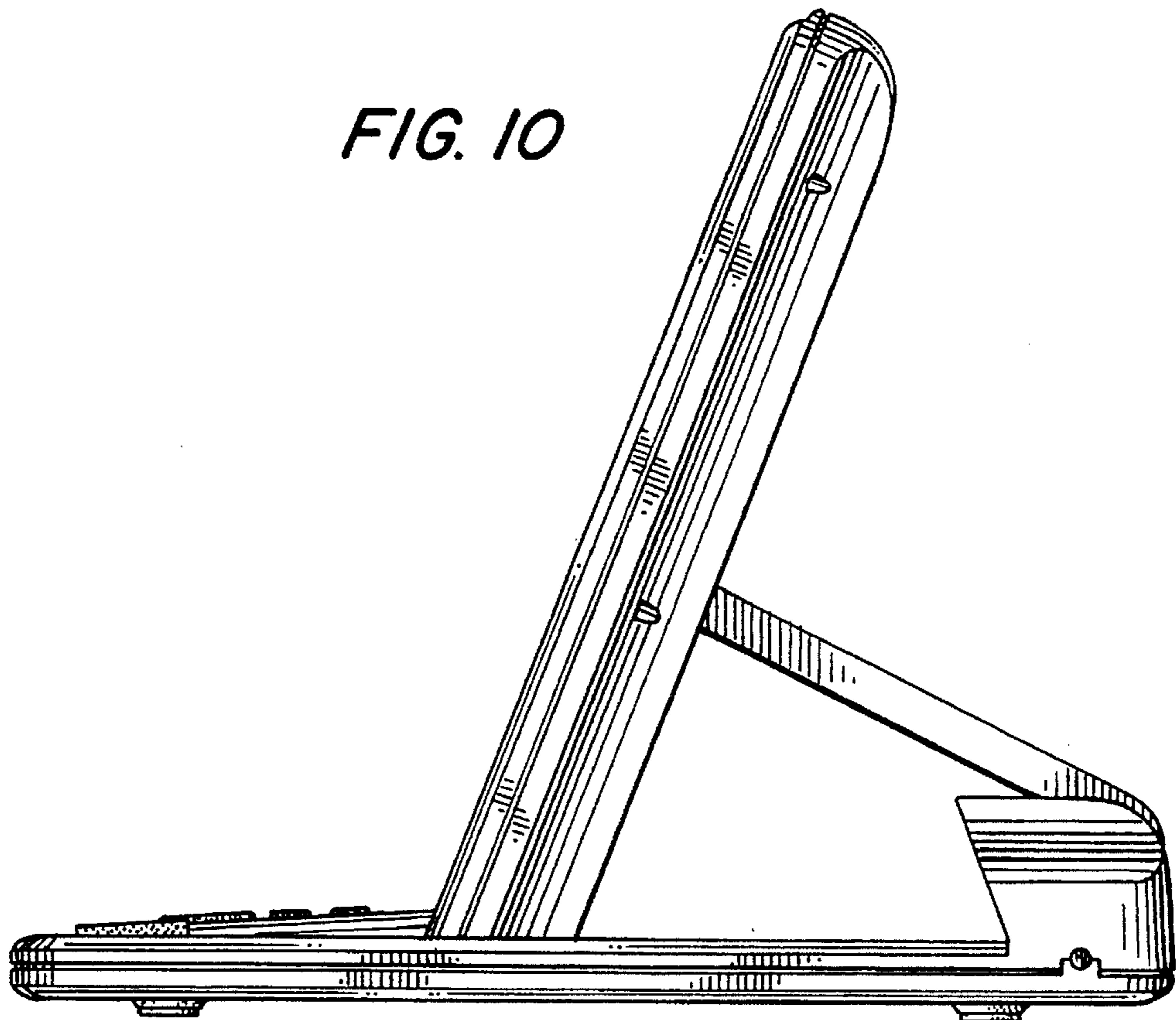
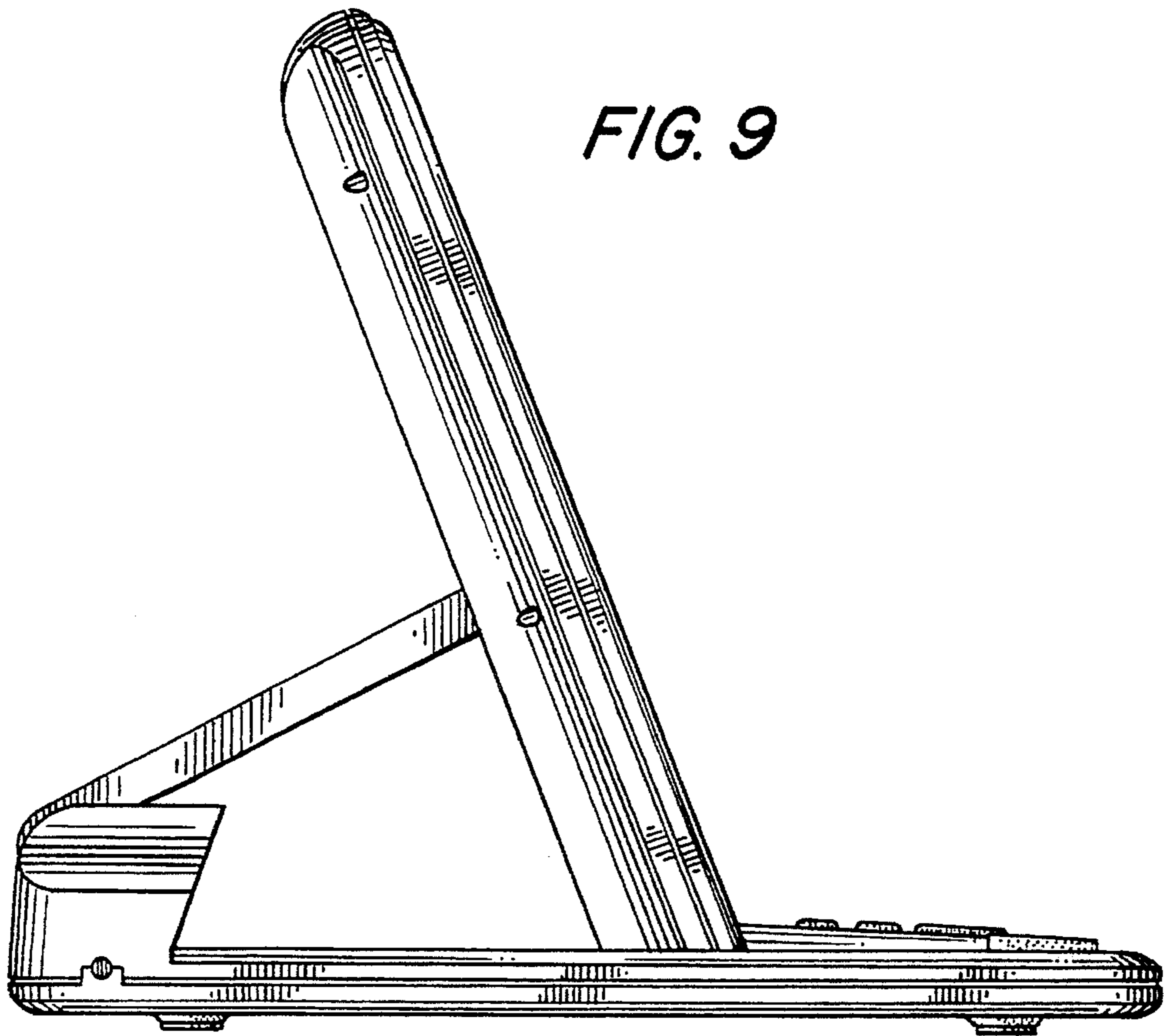


FIG. 8



*FIG. 11*

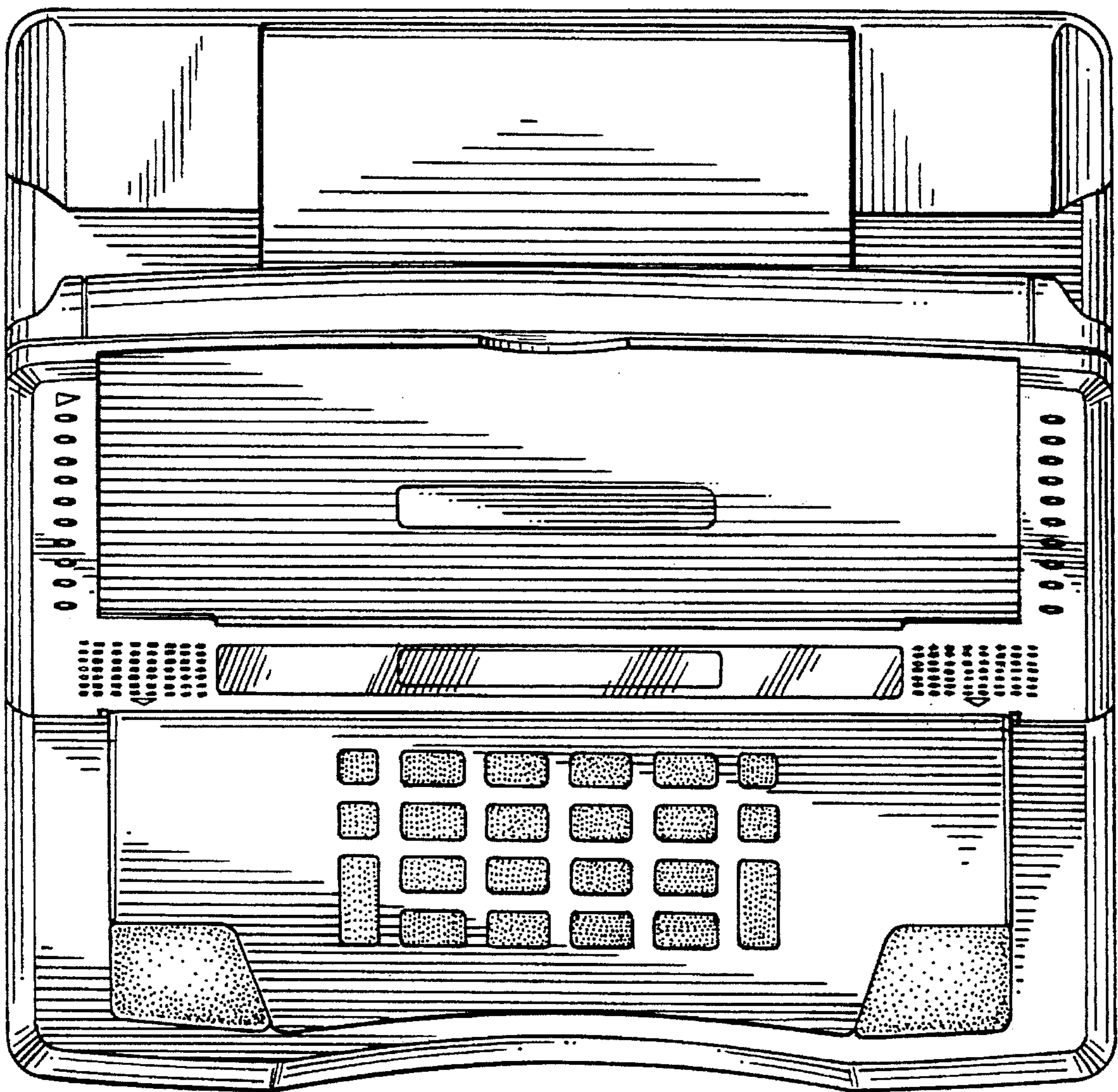


FIG. 12

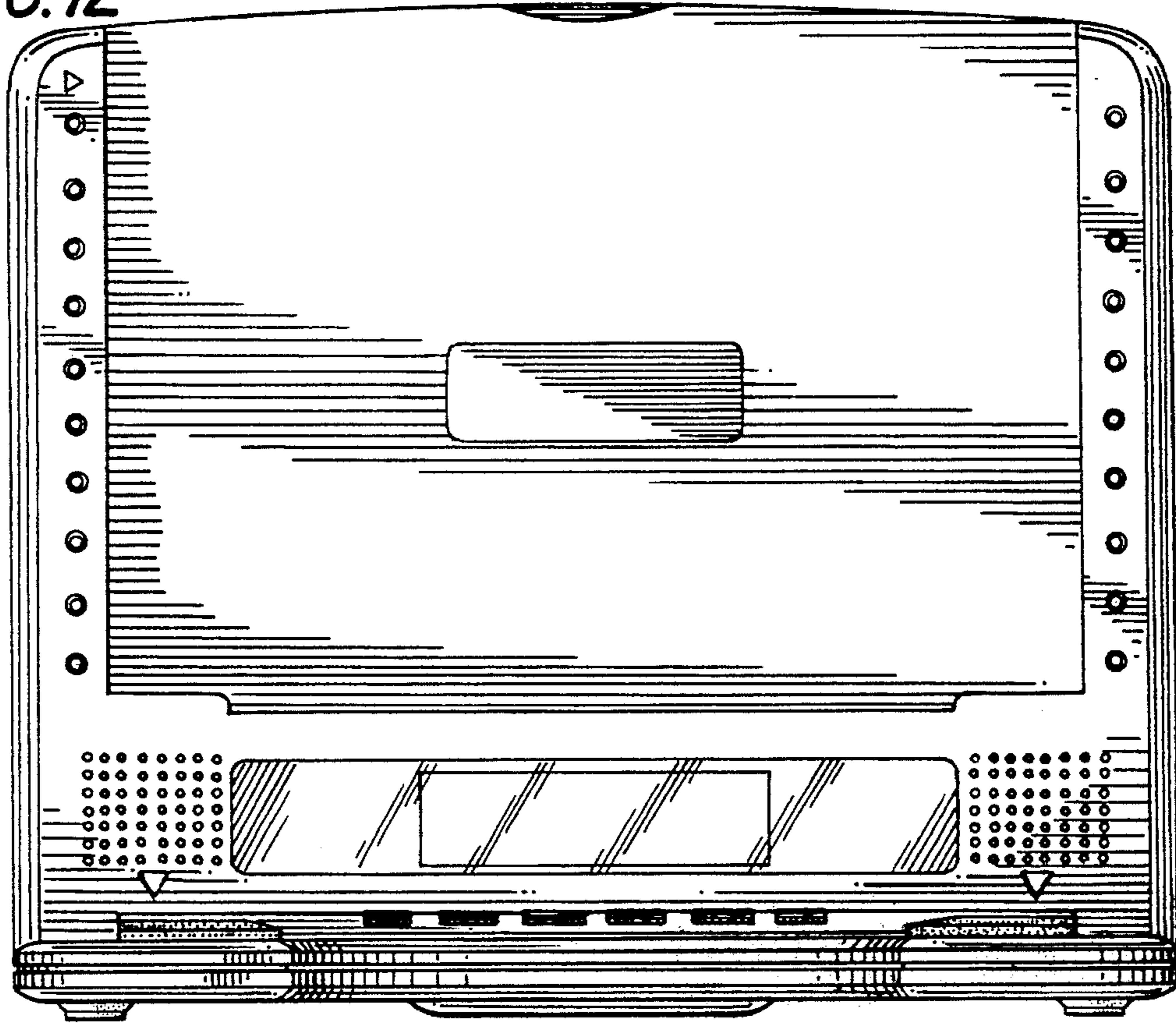


FIG. 13

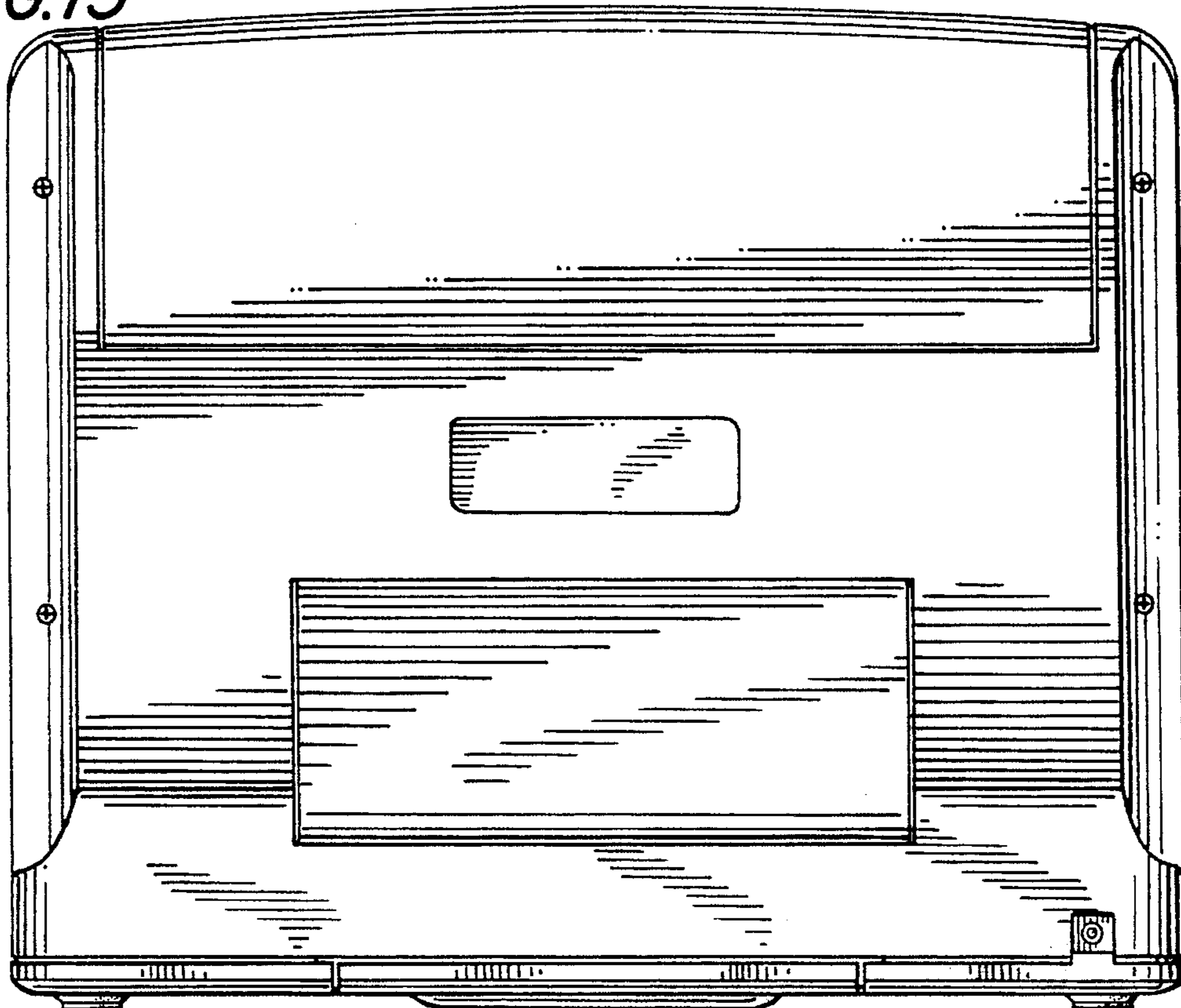




FIG. 14

