



US00D377663S

United States Patent [19]
Ziegler

[11] **Patent Number: Des. 377,663**

[45] **Date of Patent: **Jan. 28, 1997**

[54] **CONTAINER FOR TONER**
[75] Inventor: **Philipp Ziegler**, Galgenen, Switzerland
[73] Assignee: **Franz Buttner AG**, Egg, Switzerland
[**] Term: **14 Years**
[21] Appl. No.: **43,224**
[22] Filed: **Aug. 29, 1995**

D. 272,251 1/1984 Yoshihama D18/36
D. 298,331 11/1988 Takahashi et al. D18/43
D. 351,401 10/1994 Intemann D18/43
D. 359,754 6/1995 Hashizume et al. D18/40 X

Primary Examiner—James M. Gandy
Assistant Examiner—Caron D. Veynar
Attorney, Agent, or Firm—Morgan & Finnegan, L.L.P.

Related U.S. Application Data

[63] Continuation-in-part of Ser. No. 13,071, Sep. 17, 1993, abandoned.

Foreign Application Priority Data

Mar. 19, 1993 [CH] Switzerland DM/025579

[52] **U.S. Cl.** **D18/43**

[58] **Field of Search** D18/36, 40, 43, D18/56; 206/216, 229, 316, 446, 461, 467, 474, 495, 527, 532, 601, 628, 633; 222/166, 240, 325, 541, DIG. 1; 355/200, 245, 260

[56] **References Cited**

U.S. PATENT DOCUMENTS

D. 233,481 10/1974 Knodt D18/43

[57] **CLAIM**

The ornamental design for a container for toner, as shown and described.

DESCRIPTION

FIG. 1 is a bottom view of my new design of a container for toner;

FIG. 2 is a front elevation view thereof;

FIG. 3 is a rear elevation view thereof;

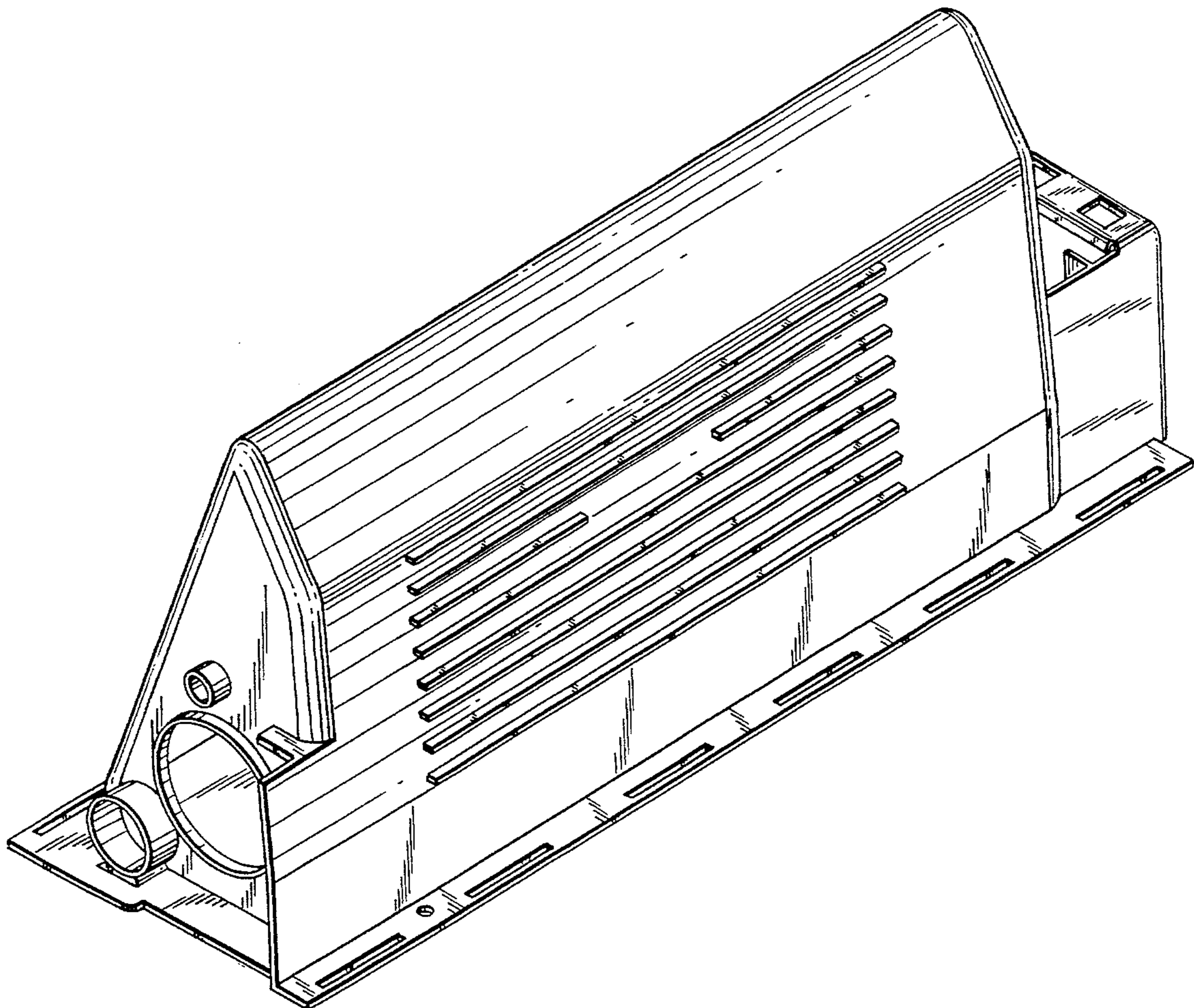
FIG. 4 is a top plan view thereof;

FIG. 5 is a left side elevation view thereof;

FIG. 6 is a right side elevation view thereof; and,

FIG. 7 is a perspective view thereof.

1 Claim, 4 Drawing Sheets



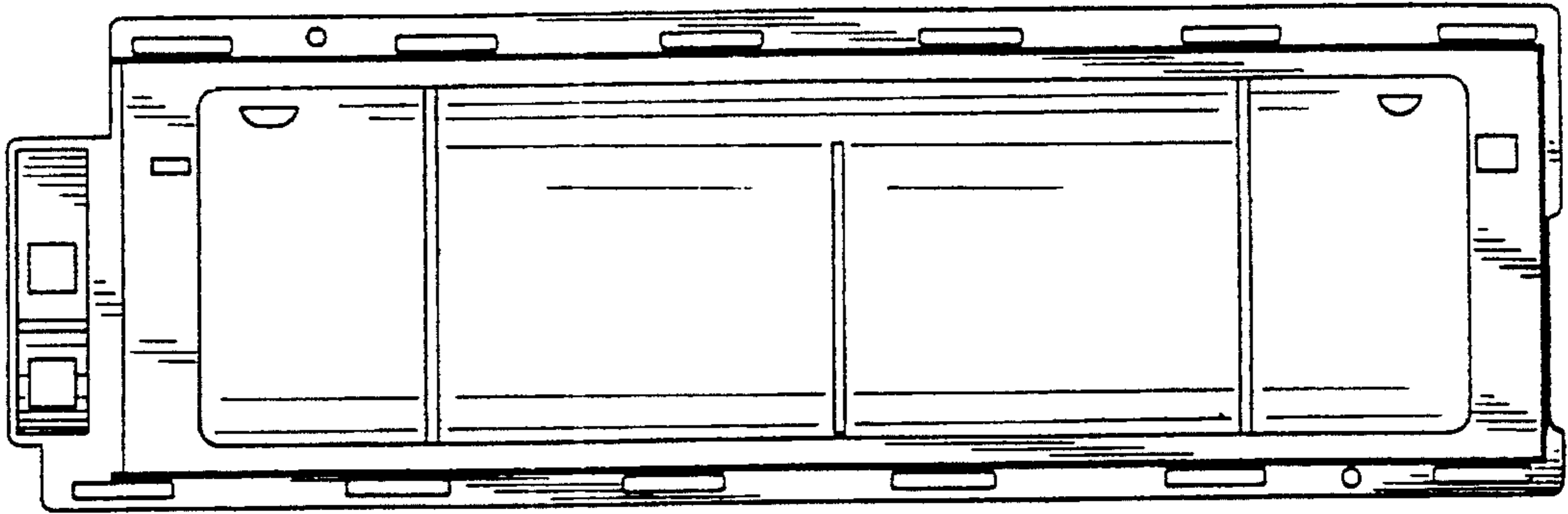


FIG. 1

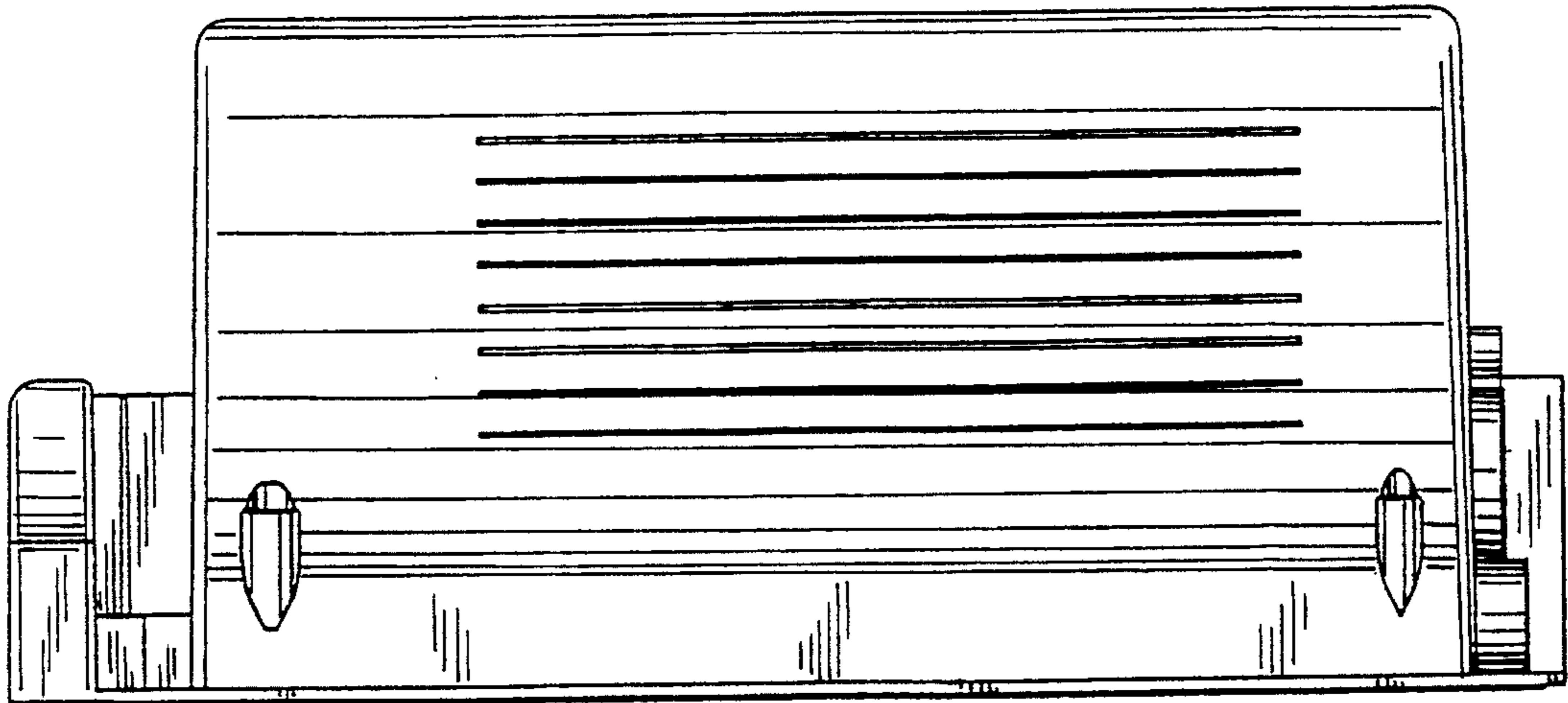
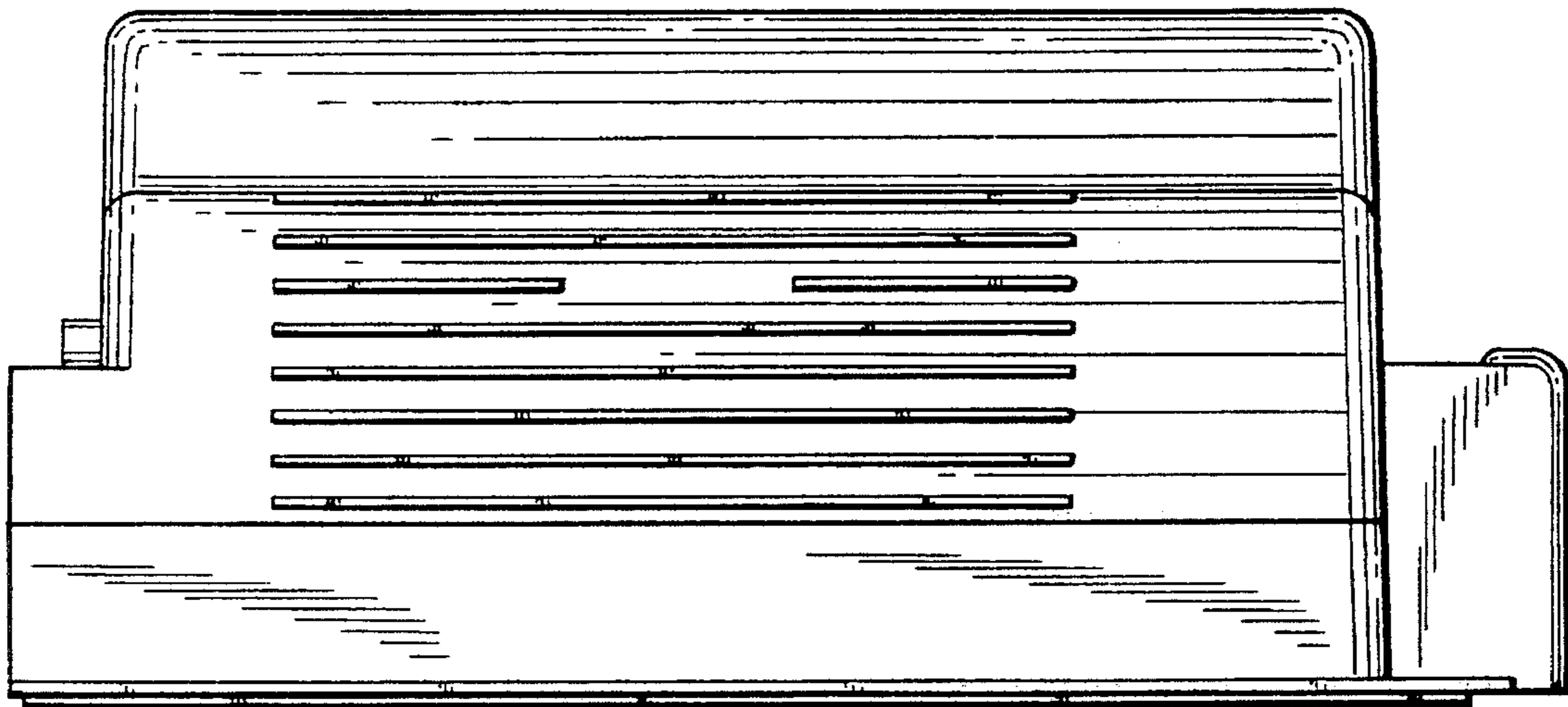


FIG. 2

FIG. 3



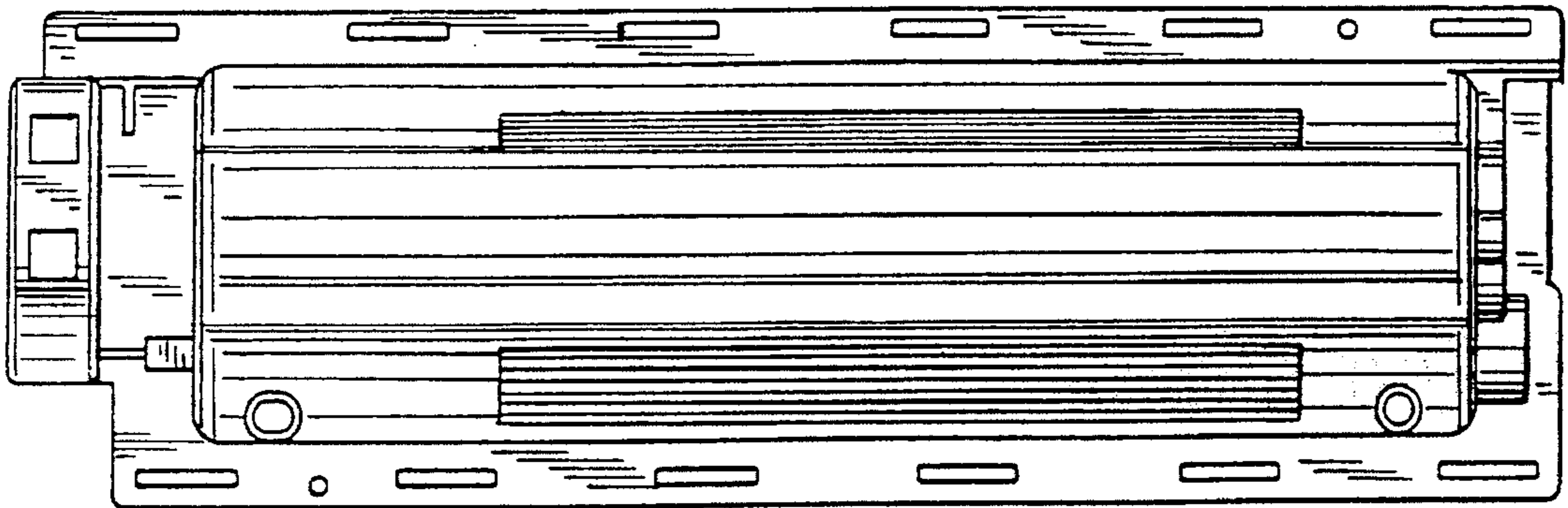


FIG. 4

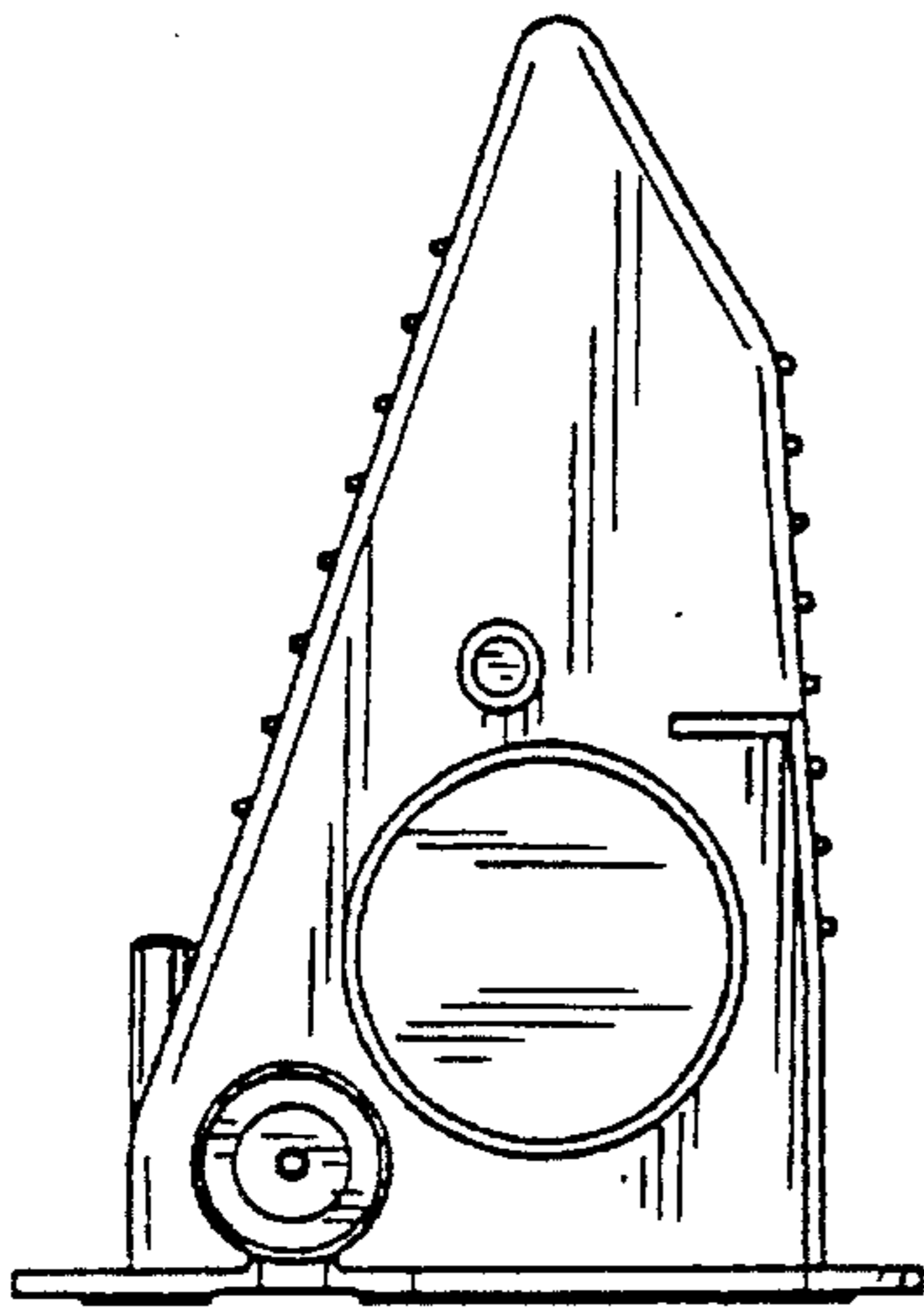


FIG. 5

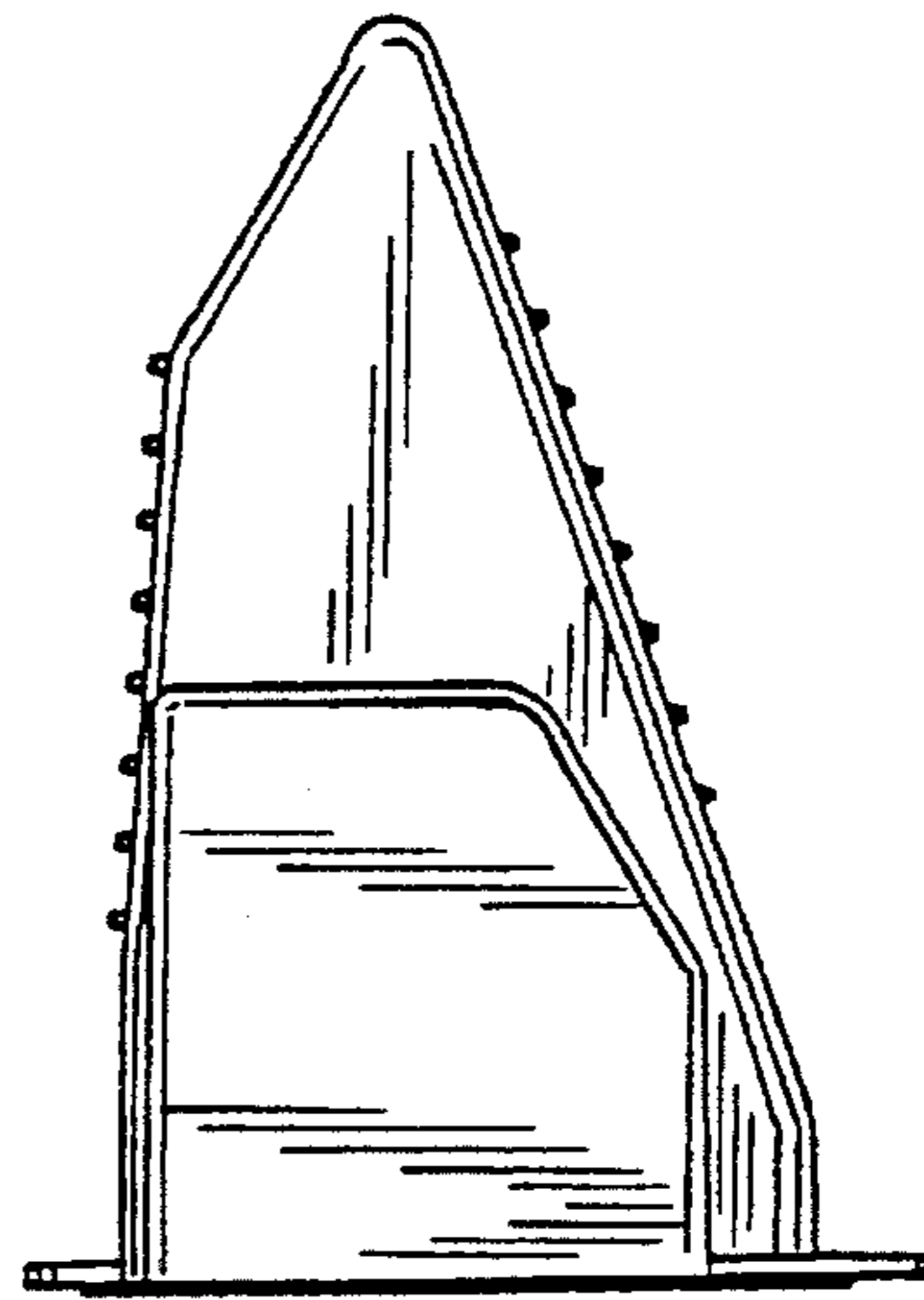


FIG. 6

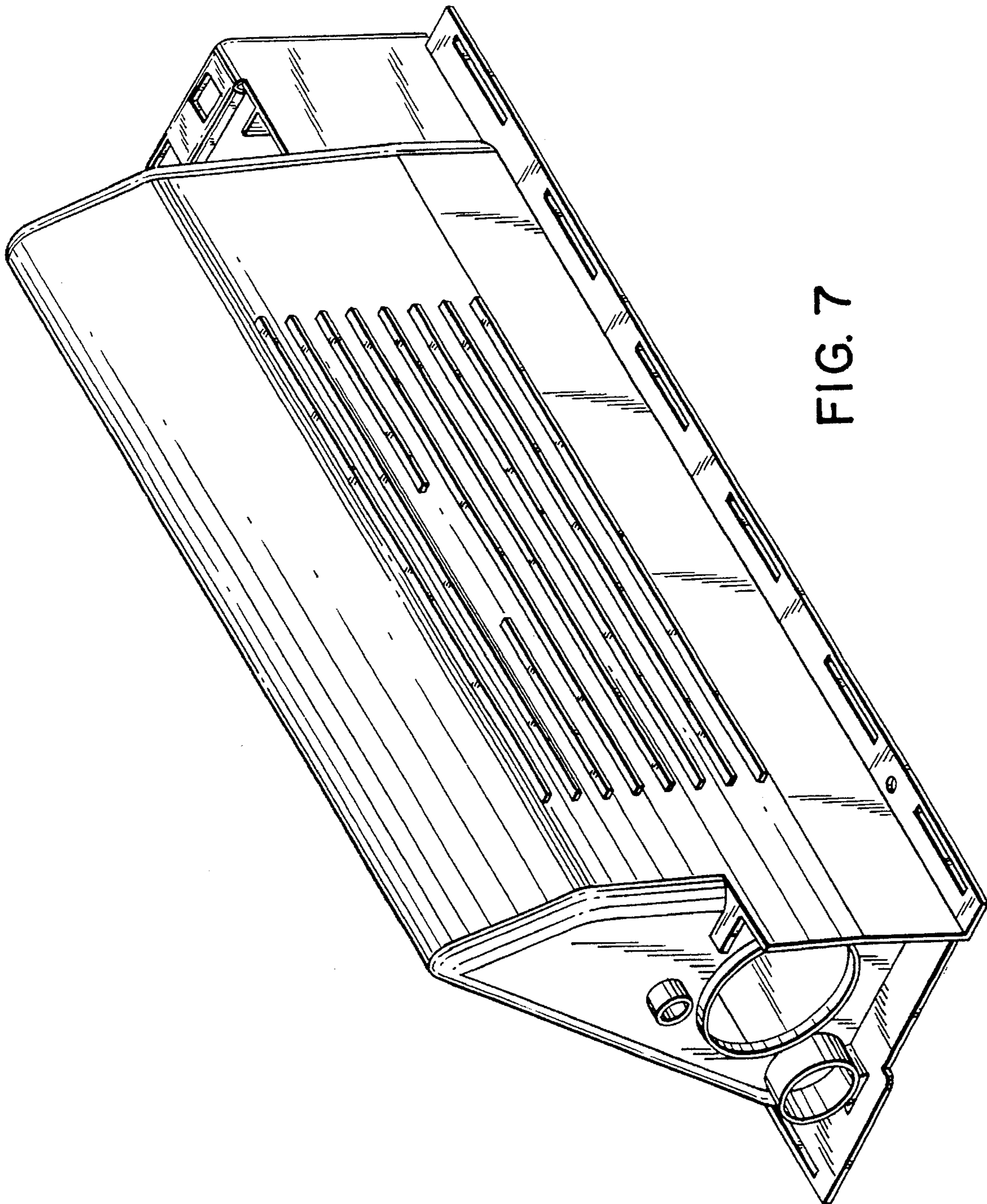


FIG. 7